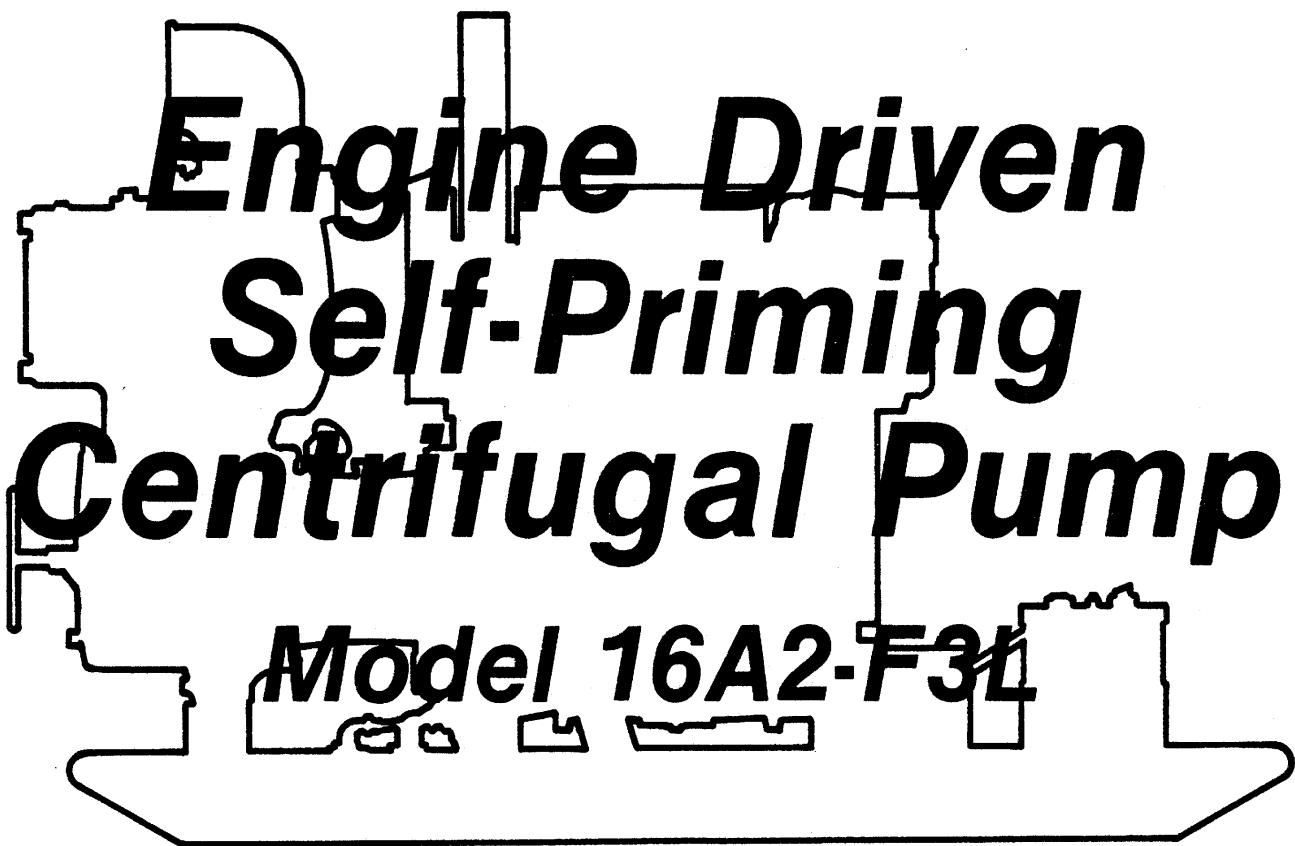


**INSTALLATION, OPERATION, PARTS LIST,
AND MAINTENANCE MANUAL**

A C D E



March 12, 1981

A large, stylized outline drawing of the pump assembly, showing the main body, a vertical shaft, and various mounting points. The text is overlaid on this drawing.

***Engine Driven
Self-Priming
Centrifugal Pump
Model 16A2-F3L***

THE GORMAN-RUPP COMPANY • MANSFIELD, OHIO

GORMAN-RUPP OF CANADA LIMITED • ST. THOMAS, ONTARIO, CANADA Printed in U.S.A.

Copyright by the Gorman-Rupp Company



This Installation, Operation, and Maintenance Manual is designed specifically to help you get the best performance and longest life from your Gorman-Rupp pump.

This pump is a 10 Series, semi-open impeller, self-priming centrifugal model designed for pumping liquids with specified entrained solids.

If there are any questions regarding the pump which are not covered in this manual or in other literature accompanying the unit, please contact your Gorman-Rupp distributor, or write:

The Gorman-Rupp Company
P.O. Box 1217
Mansfield, Ohio 44902

Gorman-Rupp of Canada Limited
70 Burwell Road
St. Thomas, Ontario N5P 3R7

For information or technical assistance on the power source, contact the power source manufacturer's local dealer or representative.

The following are used to alert maintenance personnel to procedures which require special attention, to those which could damage equipment, and to those which could be dangerous to personnel:

NOTE

Instructions to aid in installation, operation, or maintenance or which clarify a procedure.

CAUTION

Instructions which must be followed to avoid causing damage to the product or other equipment incidental to the installation. These describe the procedure required and the damage which could result from failure to follow the procedure.

WARNING

Instructions which must be followed to avoid causing injury or death to personnel. These describe the procedure required and the injury which could result from failure to follow the procedure.

TABLE OF CONTENTS

WARNINGS	Section A
INSTALLATION	Section B
OPERATION	Section C
TROUBLESHOOTING	Section D
MAINTENANCE AND REPAIR	Section E
WARRANTY	

WARNINGS

THESE WARNINGS APPLY TO ALL ENGINE DRIVEN PUMPS. REFER TO THE MANUAL ACCOMPANYING THE ENGINE BEFORE ATTEMPTING TO START THE ENGINE.

Before attempting to open or service the pump:

1. Familiarize yourself with this manual.
2. Disconnect the power source to ensure that the pump will remain inoperative.
3. Allow the pump to cool if overheated.
4. Vent the pump slowly and cautiously.
5. Close the suction and discharge valves.
6. Check the temperature before opening any covers, plates, or plugs.
7. Drain the pump.

Do not attempt to pump volatile or corrosive materials for which this pump has not been designed.

After the pump has been located in its operating position, make certain that the pump has been secured before attempting to operate it.

Do not operate the pump without shields and/or guards in place over drive shafts, belts and/or couplings, or other rotating parts. Exposed rotating parts can catch clothing, fingers, or tools, causing severe injury to personnel.

Do not operate the pump against a closed discharge valve for long periods of time. This could bring the liquid to a boil, build pressure, and cause the pump to rupture or explode.

Overheated pumps can cause severe burns and injury. If overheating of the pump casing occurs:

1. Stop the pump immediately.
2. Allow the pump to cool.
3. Refer to instructions in this manual before restarting the pump.

Do not remove plates, covers, gauges, pipe plugs, or fittings from an overheated pump. Vapor pressure within the pump can cause parts being disengaged to be ejected with great force. Allow the pump to cool before servicing.

Do not operate an internal combustion engine in an explosive atmosphere. When operating internal combustion engines in an enclosed area, make certain that exhaust fumes are piped to the outside. These fumes contain carbon monoxide, a deadly gas that is colorless, tasteless, and odorless.

Fuel used by internal combustion engines presents an extreme explosion and fire hazard. Make certain that all fuel lines are securely connected and free of leaks. Never refuel a hot or running engine. Avoid overfilling the fuel tank. Always use the correct type of fuel.

Never tamper with the governor to gain more power. The governor establishes safe operating limits that should not be exceeded.

INSTALLATION

Seldom are two pump installations identical. The information presented in this section is a summary of the recommended installation practices related to inspection, pump positioning, hardware, suction and discharge piping, and sumps. For further assistance, contact your Gorman-Rupp distributor or the Gorman-Rupp Company.

PREINSTALLATION INSPECTION

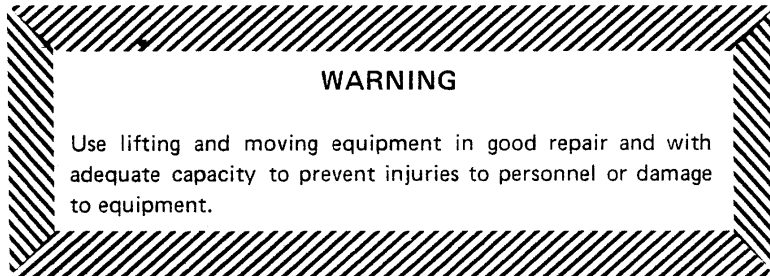
The pump assembly was inspected and tested before it was shipped from the factory. Before installation, inspect the pump for damage which may have occurred during shipment. Check as follows:

- a. Inspect the pump assembly for cracks, dents, damaged threads, and other obvious damage.
- b. Check for and tighten loose bolts, nuts, cap screws, and other attaching hardware. Since gaskets tend to shrink after drying, check for and tighten loose nuts and cap screws securing mating surfaces.
- c. Carefully read all tags, decals, and markings on the pump assembly, and perform all duties indicated. Note the direction of rotation indicated on the pump.
- d. Check all lubricant levels and lubricate as necessary. Refer to the MAINTENANCE AND REPAIR section of this manual.

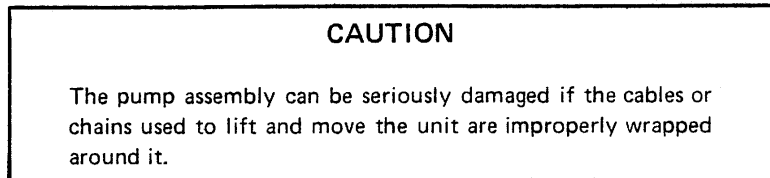
POSITIONING THE PUMP

Mounting

Locate the pump in an accessible place as close as practical to the liquid to be pumped. Level mounting is essential for proper operation. The pump may have to be supported to provide for level operation or to eliminate vibration.

Lifting

Make sure that hoists and other lifting equipment are of sufficient capacity to safely handle the pump assembly. If chains and cables are used, make certain that they are positioned so that they will not damage the pump, and so that the load will be balanced.

**SUCTION AND DISCHARGE PIPING****Materials**

Either pipe or hose may be used for suction and discharge lines, but hose used in suction lines must be the rigid-wall, reinforced type to prevent collapse under suction. Using pipe couplings in suction lines is not recommended.

Line Configuration

Keep suction and discharge lines as straight as possible to minimize friction losses. Make minimum use of elbows and fittings, which substantially increase friction loss. If elbows are necessary, use the long-radius type to minimize friction loss.

Connections to Pump

Never pull a pipe line into place by tightening the flange bolts. The connecting flange must be aligned exactly with the pump port. Lines near the pump must be independently supported to avoid strain on the pump which could cause serious vibration, decreased bearing life, and increased shaft and seal wear. Hose-type lines should have supports strong enough to secure the line when it is filled with liquid and under pressure.

Gauges

Most pumps are drilled and tapped for installing discharge pressure and vacuum suction gauges. If these gauges are desired for pumps that are not tapped, drill and tap the suction and discharge lines close to the pump before installing the lines.

SUCTION LINES

To avoid air pockets which could affect pump priming, the suction line must be as short and direct as possible. When operation involves a suction lift, the line must always slope upward to the pump from the source of the liquid being pumped; if the line slopes down to the pump at any point along the suction run, air pockets will be created.

Fittings

Suction lines should be the same size as the pump inlet. If reducers are used in suction lines, they should be the eccentric type, and should be installed with the flat part of the reducers uppermost to avoid creating air pockets. Valves are not normally used in suction lines, but if a valve is used, install it with the stem down or to either side to avoid air pockets.

Strainers

Install a strainer at the end of the suction line to avoid possible clogging or damage to the pump. The total area of the openings in the strainer should be at least three or four times the cross section of the suction line, but no opening should be larger than the solids handling capability of the pump. Clean the strainer regularly during operation.

Sealing

All connections in the suction line should be sealed with pipe dope to ensure an airtight seal. Even a slight leak will affect priming, head, and capacity, especially when operating with a high suction lift. After installation, inspect the suction line carefully for potential leaks.

DISCHARGE LINES

Throttling Valves

If a throttling valve is desired, install it in the discharge line. Use a valve as large as the largest pipe in the line to minimize friction losses. Never install a throttling valve in the suction line.

Check Valves

A check valve in the discharge line is normally recommended, but is not necessary in low discharge head applications.

With high discharge heads, install a throttling valve and a check valve in the discharge line to protect the pump from excessive shock pressure and reverse rotation when it is stopped.

Bypass Lines

If it is necessary to permit the escape of air to atmosphere during initial priming or in the repriming cycle, install a bypass line between the pump and the discharge check valve. The bypass line should be sized so that it does not affect pump discharge capacity.

Either a Gorman-Rupp automatic air release valve—which will automatically open to allow the pump to prime, and automatically close when priming is accomplished—or a hand-operated shutoff valve should be installed in the bypass line.



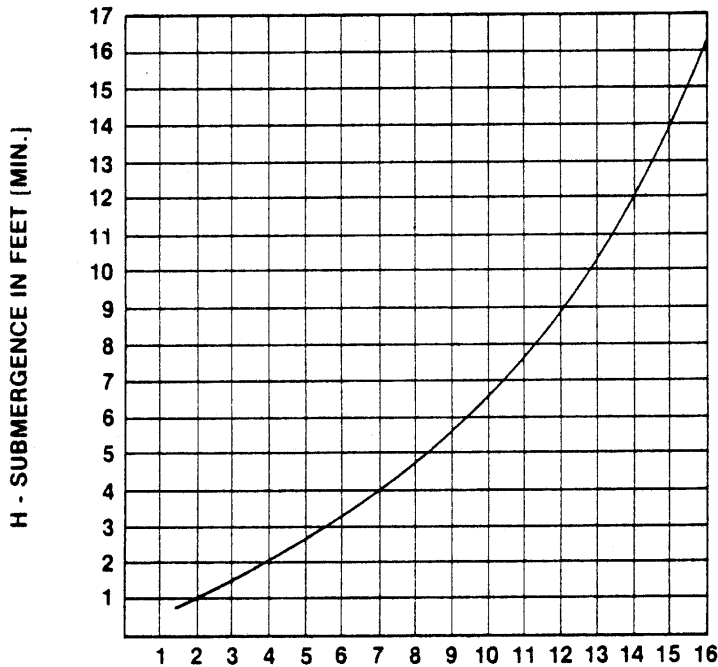
NOTE

The bypass line may clog frequently, particularly if the valve remains closed. If this condition occurs, either use a larger bypass line or leave the shutoff valve open during the pumping operation.

Do not terminate the discharge line at a level lower than that of the liquid being pumped unless a siphon breaker is used in the line. Otherwise, a siphoning action could result, causing damage to the pump.

SUCTION LINE POSITIONING

The depth of submergence of the suction line is critical to efficient pump operation. Figure 1 shows recommended minimum submergence vs. velocity.



$$\text{VELOCITY IN FEET PER SEC.} = \frac{\text{QUAN. [G.P.M.] x .321}}{\text{AREA}} \text{ OR } \frac{\text{G.P.M. x .4085}}{D^2}$$

Figure 1. Recommended Minimum Suction Line Submergence Vs. Velocity

OPERATION

WARNING

Do not attempt to pump volatile or corrosive materials for which this pump has not been designed.

PRIMING

Install the pump and piping as described in INSTALLATION. Make sure that the piping connections are tight, and that the pump is securely mounted. Check that the pump is properly lubricated (see LUBRICATION in MAINTENANCE AND REPAIR).

This pump is self priming, but the pump volute casing must first be filled with liquid if:

1. The pump is being put into service for the first time.
2. The pump has not been used for a considerable length of time.
3. The liquid in the volute casing has evaporated.

Once the volute casing has been filled, the pump will prime and reprime as necessary.

CAUTION

Never operate a self-priming pump unless the volute is filled with liquid. The pump will not prime when dry. Extended operation of a dry pump will destroy the seal assembly.

To fill the pump, remove the volute fill cover or fill plug at the top of the casing and add clean liquid until the pump is filled. Replace the fill cover or fill plug before operating the pump.

STARTING

Consult the operating manual furnished with the power source.

OPERATION

Lines With a Bypass

Either a Gorman-Rupp automatic air release valve or a hand operated shutoff valve may be installed in a bypass line.

If a Gorman-Rupp automatic air release valve has been installed, close the throttling valve in the discharge line. The Gorman-Rupp valve will automatically open to allow the pump to prime, and automatically close when priming has been accomplished. After the pump has been primed, and liquid is flowing steadily from the bypass line, open the discharge throttling valve.

If a hand operated shutoff valve has been installed, close the throttling valve in the discharge line, and open the bypass shutoff valve so that the pump will not have to prime against the weight of the liquid in the discharge line. When the pump has been primed, and liquid is flowing steadily from the bypass line, close the bypass shutoff valve and open the discharge throttling valve.

Lines Without a Bypass

Open all valves in the discharge line and start the power source. Priming is indicated by a positive reading on the discharge pressure gauge or by quieter operation. The pump may not prime immediately because the suction line must first fill with liquid. If the pump fails to prime within five minutes, stop it and check the suction line for leaks.

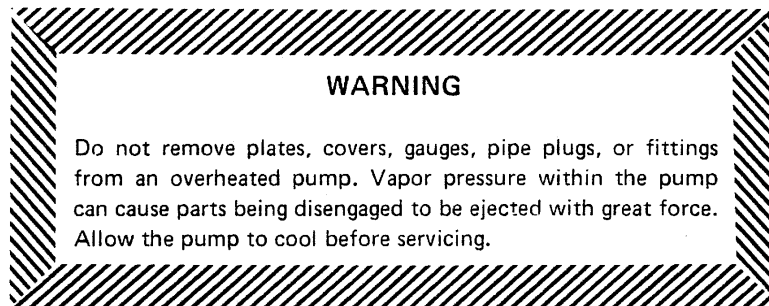
After the pump has been primed, partially close the discharge line throttling valve in order to fill the line slowly and guard against excessive shock pressure which could damage pipe ends, gaskets, sprinkler heads, and any other fixtures connected to the line. When the discharge line is completely filled, adjust the throttling valve to the required discharge flow rate.

Leakage

No leakage should be visible at pump mating surfaces, or at pump connections or fittings. Keep all line connections and fittings tight to maintain maximum pump efficiency.

Overheating

Overheating can occur if the valves in the suction or discharge lines are closed. Operating against closed valves could bring the liquid to a boil, build pressure, and cause the pump to rupture or explode. If overheating occurs, stop the pump and allow it to cool before servicing it. Refill the volute casing with cool liquid.



Strainer Check

Check the suction strainer regularly during pump operation, or if the pump flow rate begins to drop, and clean it as necessary. Be especially alert for unusual noises when pumping liquids containing solids.

Pump Vacuum Check

Install a vacuum gauge in the system, using pipe dope on the threads.

The pump should pull a vacuum of 20 inches or more of mercury at operating speed with the suction line blocked. If it does not, check for air leaks in the seals or gaskets.

With the pump primed and at operating speed, and the suction line open, read the vacuum gauge. Shut off the pump, keep the vacuum line open, and read the gauge again to see if the vacuum remains at the maximum developed by the pump. If the vacuum falls off rapidly, an air leak exists. If the liquid level at the source of supply remains at a constant level, check to make certain that the air leak is not from the vacuum gauge connection.

STOPPING

After stopping the pump, disconnect the power source to ensure that the pump will remain inoperative.

In below freezing conditions, drain the pump to prevent damage from freezing. Also, clean out any solids by flushing with a hose. Operate the pump for approximately one minute; this will remove any remaining liquid that could freeze the pump rotating parts.

If the pump will be idle for more than a few hours, or if it has been pumping liquids containing a large amount of solids, drain the pump, and flush it thoroughly with clean water. To prevent large solids from clogging the drain port and preventing the pump from completely draining, operate the pump during the draining process. Clean out any remaining solids by flushing with a hose.

BEARING TEMPERATURE CHECK

Bearings normally run at higher than ambient temperatures because of heat generated by friction. Temperatures up to 160°F are considered normal for intermediate bearings, and they can operate safely to at least 180°F.

Checking bearing temperatures by hand is inaccurate. Bearing temperatures can be measured accurately by placing a contact-type thermometer against the housing. Record this temperature for future reference.

A sudden increase in bearing temperatures is a warning that the bearings are at the point of failing to operate properly. Make certain that the bearing lubricant is of the proper viscosity and at the correct level (see LUBRICATION in MAINTENANCE AND REPAIR). Bearing overheating can also be caused by shaft misalignment and/or excessive vibration.

When pumps are first started, the bearings may seem to run at temperatures above normal. Continued operation should bring the temperatures down to normal levels.

TROUBLESHOOTING

WARNING

Before attempting to open or service the pump:

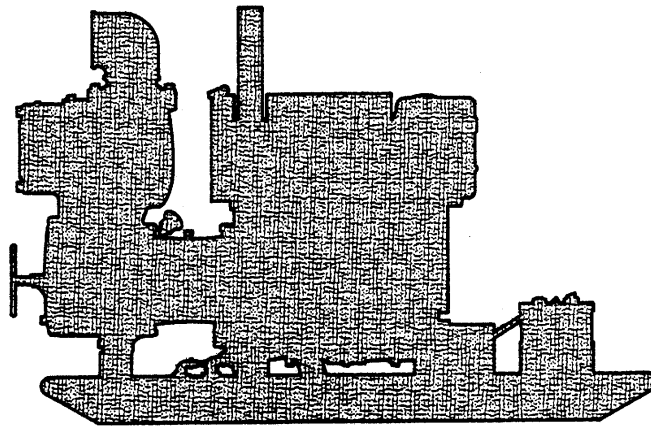
1. Consult pump service manual.
2. Disconnect the power source to ensure that the pump will remain inoperative.
3. Allow pump to cool if overheated.
4. Close suction and discharge valves.
5. Drain pump.

Trouble	Possible Cause	Probable Remedy
PUMP FAILS TO PRIME	<p>Air leak in suction line.</p> <p>Lining of suction hose collapsed.</p> <p>Suction check valve clogged or binding.</p> <p>Leaking or worn seal or pump gasket.</p> <p>Suction lift or discharge head too high.</p> <p>Suction strainer clogged.</p>	<p>Correct leak.</p> <p>Replace suction hose.</p> <p>Clean valve.</p> <p>Check pump vacuum. Replace leaking or worn seal or gasket.</p> <p>Check piping installation and install bypass line if needed. See INSTALLATION.</p> <p>Clean suction strainer.</p>
PUMP STOPS OR FAILS TO DELIVER RATED FLOW OR PRESSURE	<p>Air leak in suction line.</p> <p>Suction intake not submerged at proper level or sump too small.</p> <p>Lining of suction hose collapsed.</p> <p>Impeller or other wearing parts worn or damaged.</p> <p>Impeller clogged.</p> <p>Pump speed too slow.</p> <p>Discharge head too high.</p> <p>Suction lift too high.</p>	<p>Correct leak.</p> <p>Check installation and correct as needed. Check submergence chart (Section B, page 4).</p> <p>Replace suction hose.</p> <p>Check impeller clearance. Replace worn parts as needed.</p> <p>Free impeller of debris.</p> <p>Check driver output.</p> <p>Install bypass line.</p> <p>Reduce suction lift.</p>



Trouble	Possible Cause	Probable Remedy
PUMP STOPS OR FAILS TO DELIVER RATED FLOW OR PRESSURE (cont)	Leaking or worn seal or pump gaskets.	Check pump vacuum. Replace leaking or worn seal or pump gaskets.
	Suction strainer clogged.	Clean suction strainer.
PUMP REQUIRES TOO MUCH POWER	Pump speed too high.	Reduce speed of power source.
	Discharge head too low.	Adjust discharge valve.
	Liquid solution too thick.	Dilute if possible.
PUMP CLOGS FREQUENTLY	Discharge flow too slow.	Open discharge valve fully to increase flow rate, and run engine at maximum governed speed.
	Suction check valve clogged or binding.	Free valve, and clean or replace it.
EXCESSIVE NOISE	Cavitation in pump.	Reduce suction lift and/or friction losses in suction line.
	Pumping entrained air.	Locate and eliminate source of air bubble.
	Pump or drive not securely mounted.	Secure mounting hardware.
	Impeller clogged or damaged.	Clean out debris; replace damaged parts.
BEARINGS RUN TOO HOT	Bearing temperature is high, but within limits.	Check bearing temperature frequently to monitor any increase.
	Low or incorrect lubricant.	Check for proper type and level of lubricant.
	Suction and discharge lines not properly supported.	Check piping installation for proper support.
	Drive misaligned.	Align drive properly.

Engine Driven Self-Priming Centrifugal Pump Model 16A2-F3L



The only moving parts of this pump are the impeller, seal rotating elements, and the shaft. The wear plate, impeller, and seal, which receive the most wear, are easily accessible and can be replaced without disturbing the piping. Maintenance and replacement of these three parts will maintain the peak operating efficiency of the pump.

SECTIONAL DRAWING

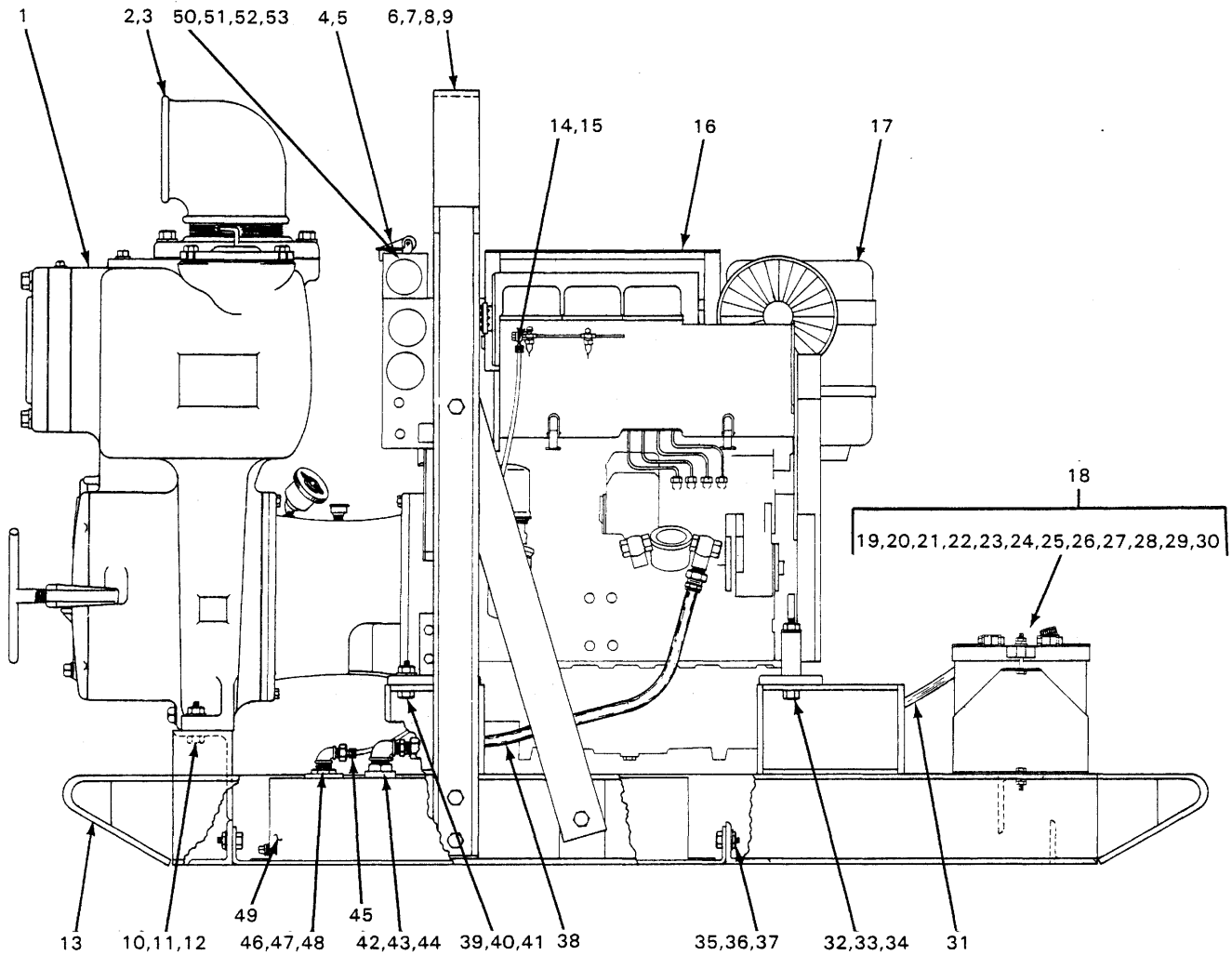


Figure 1. Pump Model 16A2-F3L



PARTS LIST
PUMP MODEL 16A2-F3L
(From S/N 740693 up)

ITEM NO.	PART NAME	PART NUMBER	MATL CODE	QTY	ITEM NO.	PART NAME	PART NUMBER	MATL CODE	QTY
1	PUMP ASSEMBLY	16A	—	1	30	GROUND CABLE	5795-AC	24040	1
2	PIPE NIPPLE	T-96	15070	1	31	CABLE ASSEMBLY	6926-S	24040	1
3	PIPE ELBOW	R-96	11990	1	32	HEX HEAD CAPSCREW	B-1016	15991	2
4	EXHAUST ELBOW	31912-023	—	1	33	HEX NUT	D-10	15991	2
5	WEATHER CAP	S-1331	—	1	34	LOCKWASHER	AK-10	15991	2
6	HOISTING BAIL	13351-AK	24000	1	35	HEX HEAD CAPSCREW	B-0604	15991	10
7	HEX HEAD CAPSCREW	B-1006	15991	8	36	HEX NUT	D-06	15991	10
8	HEX NUT	D-10	15991	8	37	LOCKWASHER	J-06	15991	10
9	LOCKWASHER	J-10	15991	8	38	INTAKE HOSE ASSEMBLY	9072-L	—	1
10	HEX HEAD CAPSCREW	B-1010	15991	2	39	HEX HEAD CAPSCREW	B-1008	15991	4
11	HEX NUT	D-10	15991	2	40	HEX NUT	D-10	15991	4
12	LOCKWASHER	J-10	15991	2	41	LOCKWASHER	J-10	15991	4
13	COMBINATION BASE	41566-575	—	1	42	FUEL OUTLET ASSEMBLY	10765	24030	1
14	RETURN FUEL LINE	11308-A	—	1	43	REDUCING ELBOW	Q-0604	11990	1
15	HOSE CLAMP	26518-642	—	1	44	MALE CONNECTOR	S-1447	—	1
16	MUFFLER GUARD ASSY	42331-009	—	1	45	HOSE CLAMP	26518-642	—	1
17	F3L-912 DEUTZ ENGINE	29217-021	—	1	46	HOSE CONNECTOR	26523-402	—	1
18	BATTERY BOX ASSEMBLY	GRP40-08A	—	1	47	REDUCING ELBOW	Q-0402	11990	1
19	BATTERY	29331-506	—	1	48	FUEL RETURN ASSEMBLY	14294	24030	1
20	HEX HEAD CAPSCREW	B-0610	15991	2	49	FUEL TANK & GRD ASSY	46711-033	—	1
21	HEX NUT	D-06	15991	2	50	TACHOMETER BRACKET	34123-014	—	1
22	LOCKWASHER	J-06	15991	2	51	NEOPRENE BUSHING	21757-036	—	2
23	FLAT WASHER	K-06	15991	2	52	WASHER	J-04	15991	2
24	BATTERY FRAME	14444	24000	1	53	BOLT	B-0405	15991	2
25	BATTERY BOX	14443	24000	1		NOT SHOWN:			
26	BATTERY TAG	6588-S	00000	1		STRAINER	7823	24000	1
27	HEX HEAD CAPSCREW	B-0605	15991	2		DRIVE ASSEMBLY	44162-020	—	1
28	LOCKWASHER	J-06	15991	2		OPTIONAL WHEEL KIT	GRP30-30		
29	HEX NUT	D-06	15991	2		FUEL TANK	46711-034	—	1
						hour/TACHOMETER	29277-004	—	1

Above Serial Numbers Do Not Apply To Pumps Made In Canada.

CANADIAN SERIAL NO. AND UP

SECTIONAL DRAWING

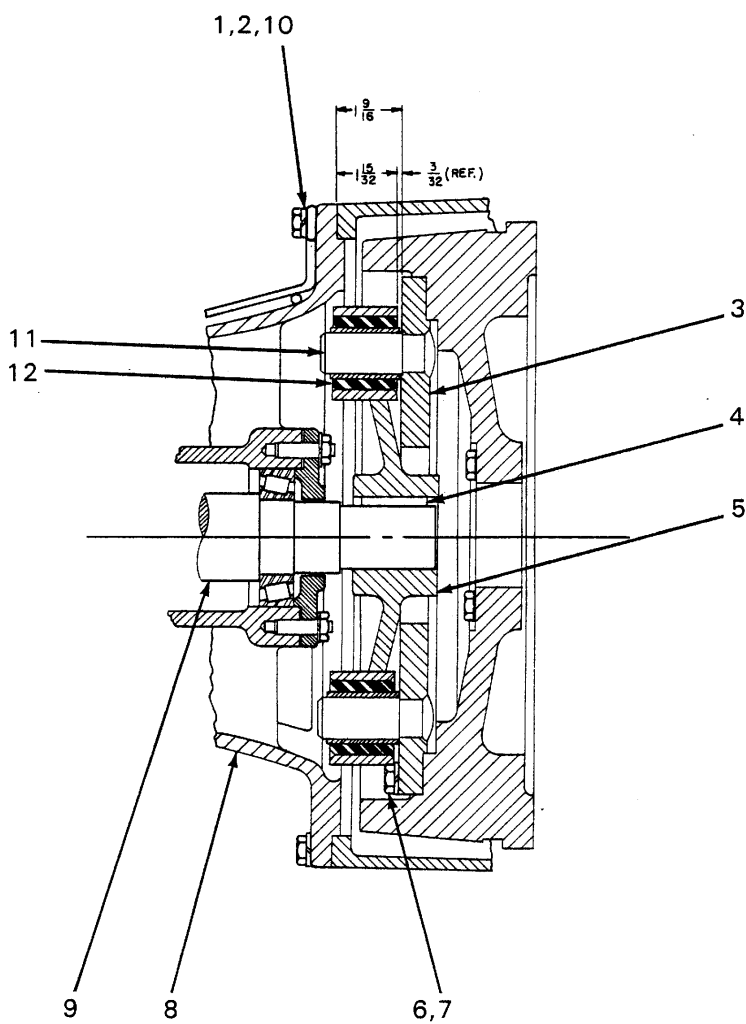


Figure 2. Drive Assembly

PARTS LIST

DRIVE ASSEMBLY

ITEM NO.	PART NAME	PART NUMBER	MATL CODE	QTY
1	HEX HEAD CAPSCREW	22645-164	—	12
2	LOCKWASHER	21171-511	—	12
3	DRIVE PLATE ASSEMBLY	44131-005	—	1
4	★SHAFT KEY	N-0607	15990	1
5	DRIVE ARM ASSEMBLY	13817-D	—	1
6	HEX HEAD CAPSCREW	22645-164	—	8
7	LOCKWASHER	21171-511	—	8
8	INTERMEDIATE	36	10010	1
9	★SHAFT	13486	16040	1
10	INTERMEDIATE GUARD	42381-031	—	2
11	DRIVE PIN	13819	15030	2
12	DYNA FLEX JOINT	S-2110	—	2

★ INDICATES PARTS RECOMMENDED FOR STOCK

ENGINE SEPARATION

If it is necessary to separate the pump from the engine, disengage the hex head capscrews (1) securing the intermediate (8) to the engine housing, and separate the assemblies. The pins of the drive plate assembly (3) will disengage from the drive arm assembly (5), and the drive arm assembly will remain on the shaft (9).

It is not necessary to remove the drive plate assembly unless the drive pins are bent or worn and must be replaced. To remove the drive plate assembly, disengage the attaching hex head capscrews (6).

The drive arm and shaft key is a tight press fit on the shaft and the drive bushings are a press fit in the drive arm.

When reassembling the engine and pump end, make certain that the drive arm and drive plate assemblies are mounted in accordance with the dimensions shown in figure 2.

CAUTION

If the drive assembly is not properly positioned on the shaft, a preload condition can occur and cause premature thrust bearing failure.

SECTIONAL DRAWING

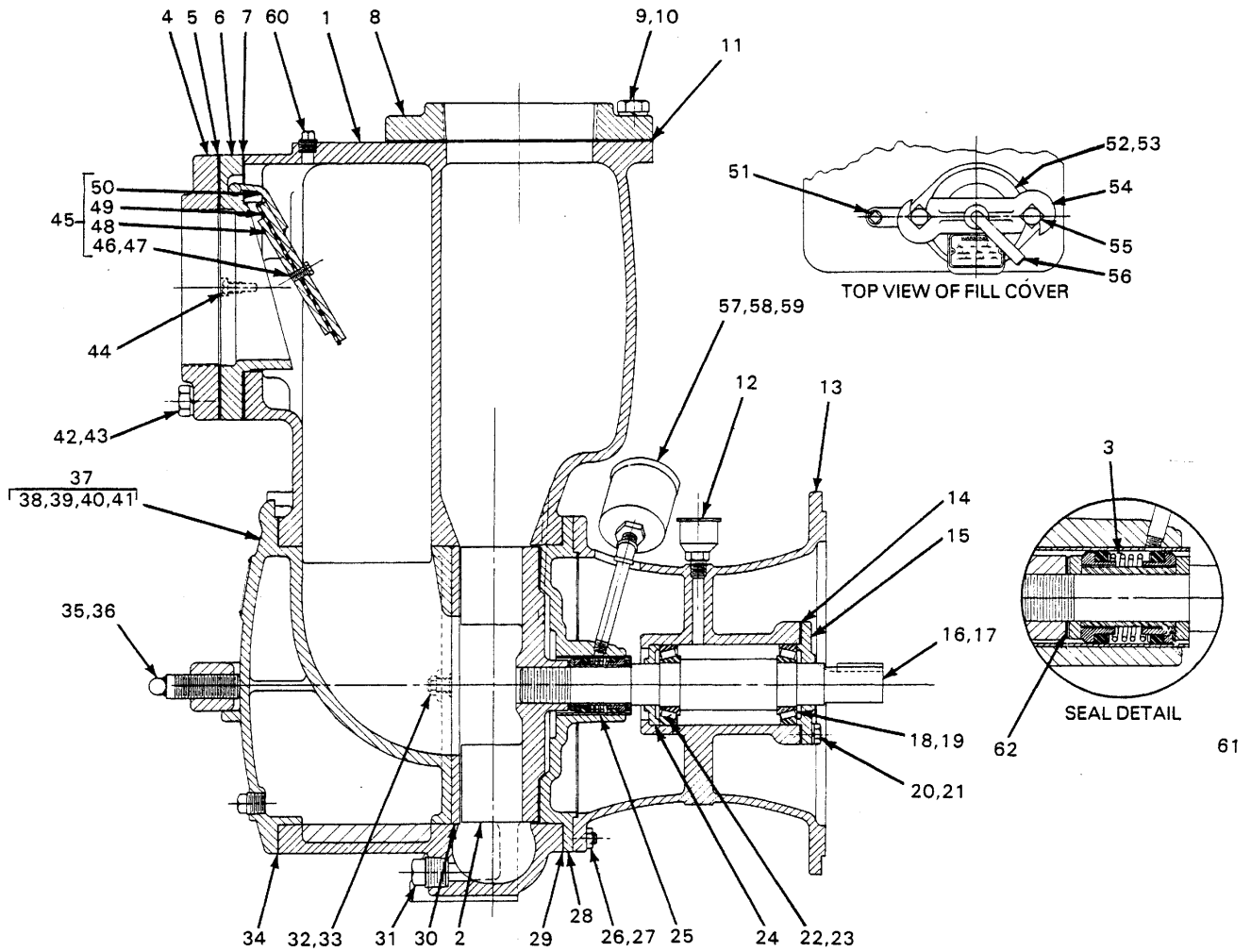


Figure 2. Pump End Assembly 16A2-F3L



PARTS LIST
PUMP END ASSEMBLY 16A2-F3L

ITEM NO.	PART NAME	PART NUMBER	MATL CODE	QTY	ITEM NO.	PART NAME	PART NUMBER	MATL CODE	QTY
1	VOLUTE HOUSING	7748	10010	1	36	COVER CLAMP BAR	2547	11000	1
2	★ IMPELLER	7759-B	11000	1	37	★ COVER ASSEMBLY	42111-932	—	1
3	★ SEAL ASSEMBLY	GS-1500	—	1	38	WARNING PLATE	2613-EV	13990	1
4	SUCTION FLANGE	1758	10010	1	39	COVER	7668	10010	1
5	★ SUCTION FLANGE GSKT	1679-G	18000	1	40	DRIVE SCREW	BM#04-03	15990	4
6	CHECK VALVE SEAT	7261	10010	1	41	PIPE PLUG	P-08	11990	1
7	★ CHECK VALVE SEAT GSKT	7261-G	18000	1	42	HEX HEAD CAPSCREW	B-1212	15991	8
8	DISCHARGE FLANGE	1758	10010	1	43	LOCKWASHER	J-12	15991	8
9	HEX HEAD CAPSCREW	B-1208	15991	8	44	RD HD MACHINE SCREW	X-0404	17090	1
10	LOCKWASHER	J-12	15991	8	45	★ CHECK VALVE ASSEMBLY	7265	—	1
11	★ DISCHARGE FLNG GSKT	1679-G	18000	1	46	HEX HEAD CAPSCREW	B-0403	17000	2
12	INTERMED GREASE CUP	S-35	—	1	47	LOCKWASHER	J-04	17090	2
13	INTERMEDIATE	36	10010	1	48	★ VALVE WEIGHT	7263	15990	1
14	★ BEARING SHIM SET	48261-031	—	1	49	★ GASKET	7264	19070	1
15	BEARING CAP	43-X	10010	1	50	★ VALVE WEIGHT	7262	24000	1
16	★ IMPELLER SHAFT	13486	16040	1	51	PIPE PLUG	P-04	11990	1
17	SHAFT KEY	N-0607	15990	1	52	★ COVER PLATE ASSEMBLY	42111-344	—	1
18	★ BEARING CUP	S-1086	—	1	53	★ COVER GASKET	50-G	19210	1
19	★ BEARING CONE	S-1087	—	1	54	CLAMP BAR	38111-004	—	1
20	HEX HEAD CAPSCREW	B-0604	15991	4	55	MACHINE BOLT	A-1014	15991	2
21	LOCKWASHER	J-06	15991	4	56	CLAMP BAR SCREW	31912-009	—	1
22	★ BEARING CUP	S-1086	—	1	57	HEAVY PIPE NIPPLE	THA-0416	15070	1
23	★ BEARING CONE	S-1087	—	1	58	PIPE ELBOW	AG-04	11990	1
24	BEARING CLOSURE	44	10010	1	59	SEAL GREASE CUP	S-1509	—	1
25	★ SEAL LINER	7408	14010	1	60	PIPE PLUG	P-04	11990	1
26	STUD	C-0809	15991	8	61	SHAFT SLEEVE	NOT AVAILABLE		
27	HEX NUT	D-08	15991	8	62	★ IMPELLER SHIM SET	5091	17090	1
28	SEAL PLATE ASSEMBLY	11895-A	10010	1	NOT SHOWN:				
29	★ VOLUTE GASKET SET	34-G	18000	1		NAME PLATE	2613-D	13990	1
30	★ WEAR PLATE ASSEMBLY	2545	15990	1		DRIVE SCREW	BM#04-03	15990	4
31	VOLUTE DRAIN PLUG	P-16	11990	1		STRAINER	7823	24000	1
32	HEX NUT	D-08	15991	2		WARNING DECAL	38816-096	—	1
33	LOCKWASHER	J-08	15991	2					
34	★ COVER GASKET	7668-G	20000	1					
35	COVER SCREW	2536	24000	1					

★ INDICATES PARTS RECOMMENDED FOR STOCK

PUMP AND SEAL DISASSEMBLY AND REASSEMBLY

This pump requires little service due to its rugged, minimum-maintenance design. If it becomes necessary to inspect and/or replace the wearing parts, however, follow these instructions, which are keyed to the sectional view (see figure 3) and the accompanying parts list.

Pump Disassembly

Disconnect the spark plug, or take other precautions to ensure that the engine will remain inoperative while the pump is being serviced, and close all connecting valves. Remove the volute drain plug (31) to drain the pump.

Support the pump body, and remove the hex nuts (27) securing the volute casing (1) to the seal plate (28) and the intermediate (13). Separate the assemblies. Inspect the wear plate (30), and replace it if scored or worn.

To loosen the impeller (2), place a block of wood against the end of a vane, and strike the block in the direction of pump rotation. Unscrew the impeller, and replace it if cracked or badly worn.

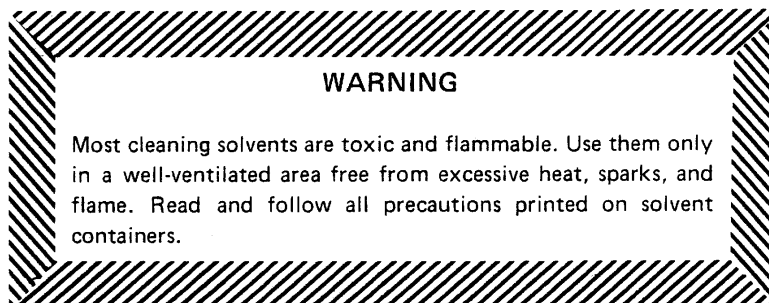
Remove the impeller adjusting shims (61). For ease of reassembly, tag and tie the shims, or measure and record their thickness.

Seal Disassembly

Before removing the seal assembly, turn the cross arm on the seal grease cup (59) clockwise until it rests against the cover (see figure 5). This will prevent the grease in the cup from escaping after the seal is removed.

Carefully remove the shaft sleeve and the stationary and rotating seal elements, using a stiff wire with a hooked end if necessary. Remove the seal liner (25), which is a press fit.

Clean the seal cavity and shaft with a soft cloth soaked in cleaning solvent.



Seal Reassembly

The seal is not normally reused because of the high polish on its lapped face, but if it is necessary to reuse the old seal, wash all metallic parts in cleaning solvent and dry thoroughly.

Inspect the seal components for wear, scoring, grooves, and other damage that might cause leakage. If any components are worn, replace the complete seal; never mix old and new seal parts. Clean and polish the shaft sleeve, or replace it if there are nicks or cuts on the end.

Replace the seal liner if worn or grooved. If the seal liner is replaced, a hole must be drilled in it after installation to permit the flow of lubricant from the grease cup to the seal assembly. Deburr the hole after drilling, and clean the seal liner.

CAUTION

This seal is not designed for operation at temperatures above 110°F. Do not use at higher operating temperatures.

Reinstall the shaft sleeve, and install the replacement seal as a complete unit.

Lubricate the packing rings with soft grease or oil when installing the seal, and place a drop of light lubricating oil on the lapped faces. Assemble the seal as shown in figure 4.

Before starting the pump, fill the grease cup through the grease fitting with a good grade of No. 2 pressure gun grease until grease escapes from the relief hole. Turn the grease cup arm counterclockwise until it is at the top of the stem; this will release the spring to apply grease to the seal (see figure 5).

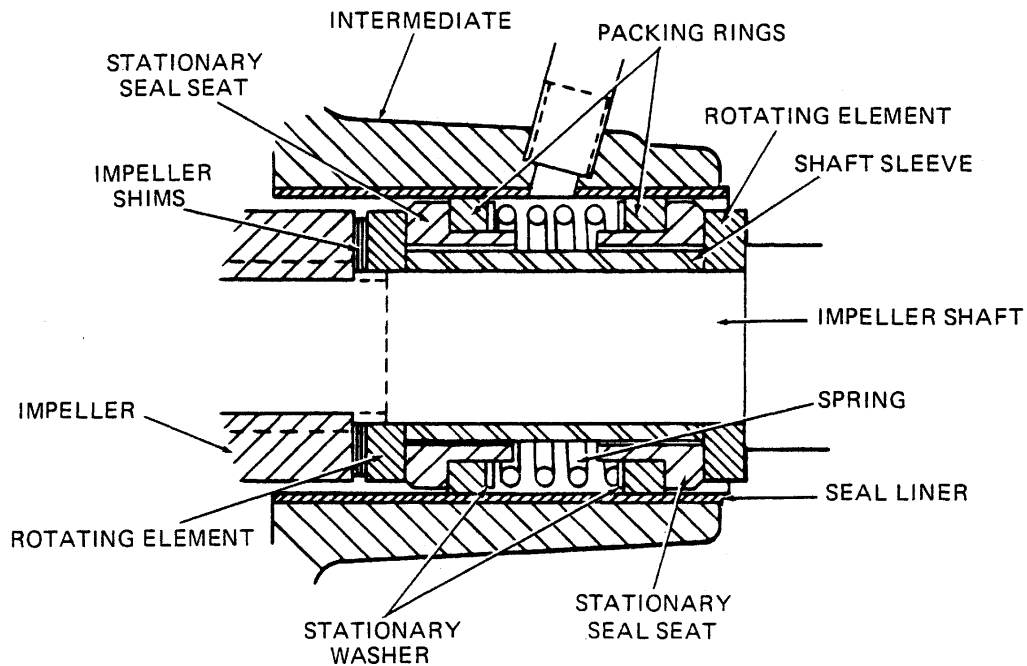


Figure 4. GS-1500 Seal Assembly

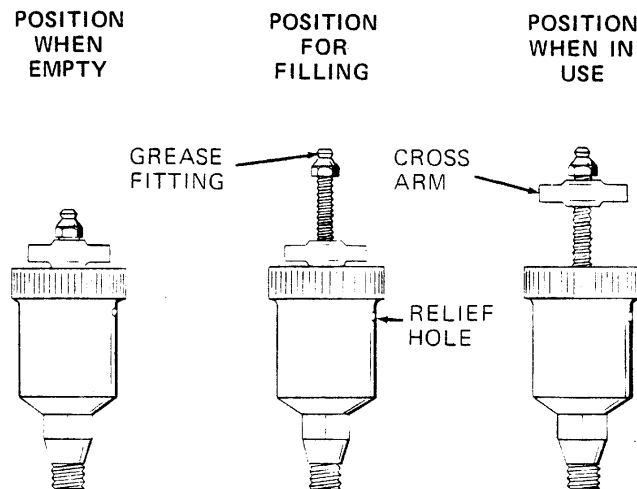


Figure 5. Automatic Lubricating Grease Cup

Pump Reassembly

Reinstall the impeller adjusting shims and the impeller. A clearance of .020 to .040 inch between the impeller and the seal plate is necessary for maximum pump efficiency. Measure this clearance, and add or subtract impeller shims until it is reached.

Reassemble the volute casing to the seal plate and the intermediate, replacing the volute gasket set (29). A clearance of .008 to .015 inch between the impeller and the wear plate is also recommended for maximum pump efficiency. This clearance can be reached by adding or subtracting gaskets in the volute gasket set until the impeller binds against the wear plate when the shaft is turned. After the impeller binds, add .010 inch of gaskets.

Before starting the pump, clean and reinstall the volute drain plug, and fill the volute with liquid.

LUBRICATION

Bearings

When shipped from the factory, the pump contains sufficient grease to lubricate the bearings for approximately 5,000 operating hours. Do not lubricate sooner than required. When required, fill the intermediate cavity through the grease cup (12) with No. 0 pressure gun grease until the cavity is approximately one third full, or just below the shaft.

**For U.S. and International Warranty Information,
Please Visit www.grpumps.com/warranty**

or call:

U.S.: 419-755-1280

International: +1-419-755-1352

**For Canadian Warranty Information,
Please Visit www.grcanada.com/warranty**

or call:

519-631-2870

THE GORMAN-RUPP COMPANY • MANSFIELD, OHIO

GORMAN-RUPP OF CANADA LIMITED • ST. THOMAS, ONTARIO, CANADA