

# INSTALLATION, OPERATION, AND MAINTENANCE MANUAL

WITH PARTS LIST



## SUBMERSIBLE MINE PUMPS

MODELS	
SM2E1-X3.5 460/3	SM2E1-X3.5 575/3
SM2E18-X3.5 460/3	SM2E18-X3.5 575/3
SM2E65-X3.5 460/3	SM2E65-X3.5 575/3

**THE GORMAN-RUPP COMPANY • MANSFIELD, OHIO**

GORMAN-RUPP OF CANADA LIMITED • ST. THOMAS, ONTARIO, CANADA Printed in U.S.A.

©Copyright by the Gorman-Rupp Company

# TABLE OF CONTENTS

<b>INTRODUCTION</b> .....	<b>PAGE I – 1</b>
<b>SAFETY - SECTION A</b> .....	<b>PAGE A – 1</b>
<b>INSTALLATION – SECTION B</b> .....	<b>PAGE B – 1</b>
<b>PREINSTALLATION INSPECTION</b> .....	<b>PAGE B – 2</b>
Lubrication .....	<b>PAGE B – 2</b>
<b>PUMP INSTALLATION</b> .....	<b>PAGE B – 2</b>
Pump Specifications .....	<b>PAGE B – 3</b>
Pump Dimensions .....	<b>PAGE B – 3</b>
MSHA Specifications And Approval Data .....	<b>PAGE B – 4</b>
Lifting .....	<b>PAGE B – 4</b>
Positioning the Pump .....	<b>PAGE B – 5</b>
<b>PIPING</b> .....	<b>PAGE B – 5</b>
<b>CONTROL BOX INSTALLATION</b> .....	<b>PAGE B – 6</b>
Enclosure .....	<b>PAGE B – 6</b>
Control Box Specifications .....	<b>PAGE B – 6</b>
Control Box Parts List .....	<b>PAGE B – 7</b>
Mounting Plate Parts List .....	<b>PAGE B – 8</b>
Grounding Methods .....	<b>PAGE B – 9</b>
Suggested Grounding Methods .....	<b>PAGE B – 9</b>
Field Wiring Connections (Incoming Power) .....	<b>PAGE B – 10</b>
Pump Motor Voltage Limits .....	<b>PAGE B – 10</b>
Pump Power Cable Connections .....	<b>PAGE B – 11</b>
<b>OPERATION – SECTION C</b> .....	<b>PAGE C – 1</b>
<b>CONTROL BOX FUNCTION</b> .....	<b>PAGE C – 1</b>
Component Function .....	<b>PAGE C – 1</b>
<b>PUMP OPERATION</b> .....	<b>PAGE C – 1</b>
Liquid Temperature And Overheating .....	<b>PAGE C – 2</b>
Checking Pump Rotation .....	<b>PAGE C – 2</b>
<b>STARTING</b> .....	<b>PAGE C – 3</b>
<b>STOPPING</b> .....	<b>PAGE C – 3</b>
Operational Checks .....	<b>PAGE C – 3</b>
Cold Weather Preservation .....	<b>PAGE C – 4</b>
<b>TROUBLESHOOTING – SECTION D</b> .....	<b>PAGE D – 1</b>
<b>ELECTRICAL TESTING</b> .....	<b>PAGE D – 3</b>
Test Equipment .....	<b>PAGE D – 3</b>
Voltage Imbalance .....	<b>PAGE D – 3</b>
Motor And Motor Power Cable Continuity .....	<b>PAGE D – 4</b>
Insulation Resistance .....	<b>PAGE D – 4</b>
<b>PUMP MAINTENANCE AND REPAIR - SECTION E</b> .....	<b>PAGE E – 1</b>
<b>PERFORMANCE CURVE</b> .....	<b>PAGE E – 1</b>

**TABLE OF CONTENTS**  
(continued)

<b>PARTS LISTS</b>	
Pump Model SM2E1-X3.5 460/3 & 575/3 .....	PAGE E - 3
Pump Model SM2E18-X3.5 460/3 & 575/3 .....	PAGE E - 5
Pump Model SM2E65-X3.5 460/3 & 575/3 .....	PAGE E - 7
Pump Motor 47111-100 (SM2E1-X3.5 460/3 & 575/3) .....	PAGE E - 9
Pump Motor 47111-070 (SM2E18-X3.5 460/3 & 575/3) .....	PAGE E - 11
Pump Motor 47111-068 (SM2E65-X3.5 460/3 & 575/3) .....	PAGE E - 13
<b>PUMP AND SEAL DISASSEMBLY AND REASSEMBLY .....</b>	<b>PAGE E - 14</b>
<b>PUMP END DISASSEMBLY .....</b>	<b>PAGE E - 15</b>
Strainer Removal .....	PAGE E - 15
Draining Oil From Seal Cavity .....	PAGE E - 15
Positioning Pump For Disassembly .....	PAGE E - 15
Impeller Removal .....	PAGE E - 15
Lower Seal Removal .....	PAGE E - 15
Upper Seal Removal .....	PAGE E - 15
<b>PUMP END REASSEMBLY .....</b>	<b>PAGE E - 16</b>
Cleaning And Inspection Of Pump Parts .....	PAGE E - 16
Upper Seal Installation .....	PAGE E - 17
Seal Plate Installation .....	PAGE E - 18
Lower Seal Installation .....	PAGE E - 18
Impeller Installation .....	PAGE E - 20
Strainer Installation .....	PAGE E - 20
<b>MOTOR DISASSEMBLY .....</b>	<b>PAGE E - 20</b>
Terminal Housing And Power Cable Removal And Disassembly .....	PAGE E - 21
Shaft And Rotor Removal .....	PAGE E - 21
Stator Removal .....	PAGE E - 22
<b>MOTOR REASSEMBLY .....</b>	<b>PAGE E - 23</b>
Stator Installation .....	PAGE E - 23
Shaft And Rotor Installation .....	PAGE E - 23
Terminal Housing And Power Cable Reassembly And Installation .....	PAGE E - 24
<b>FINAL ASSEMBLY .....</b>	<b>PAGE E - 26</b>
<b>LUBRICATION .....</b>	<b>PAGE E - 26</b>
Seal Cavity .....	PAGE E - 26
Pump Oil Specifications .....	PAGE E - 27
Motor Bearings .....	PAGE E - 27

## INTRODUCTION

This Installation, Operation, and Maintenance manual is designed to help you achieve the best performance and longest life from your Gorman-Rupp pump.

The pump is specifically designed for mine dewatering applications. It is capable of handling most non-volatile, non-flammable liquids encountered in standard mining operations. Refer to the following chart for the materials of construction for your particular

pump. The pump may be operated fully or partially submerged, since the integral air-filled electric motor is thermally protected and cooled by the liquid being pumped. The motor must be operated through the control box furnished with the pump as standard equipment. The pump and control comply with MSHA schedule 2G regulations, and have been approved for use in hazardous locations by the Pennsylvania Department of Environmental Resources (D.O.E.R.).

Pump Model	Basic Materials of Construction
SM2E1-X3.5 460 & 575/3	Aluminum, with gray iron suction casing, and bronze impeller.
SM2E18-X3.5 460 & 575/3	Type 304 SST, w/CD4MCu SST suction casing, impeller, and seal plate.
SM2E65-X3.5 460 & 575/3	Type 316 SST, w/CD4MCu SST suction casing, impeller, and seal plate.

If there are any questions regarding the pump or its application which are not covered in this manual or in other literature accompanying this unit, please contact your Gorman-Rupp distributor, or write:

**The Gorman-Rupp Company**  
 P.O. Box 1217  
 Mansfield, Ohio 44901-1217

or **Gorman-Rupp of Canada Limited**  
 70 Burwell Road  
 St. Thomas, Ontario N5P 3R7

The following are used to alert maintenance personnel to procedures which require special attention, to those which could damage equipment, and to those which could be dangerous to personnel:



**Immediate hazards which WILL result in severe personal injury or death. These instructions describe the procedure required and the injury which will result from failure to follow the procedure.**



**Hazards or unsafe practices which COULD result in severe personal injury or death. These instructions describe**

**the procedure required and the injury which could result from failure to follow the procedure.**



Hazards or unsafe practices which COULD result in minor personal injury or product or property damage. These instructions describe the requirements and the possible damage which could result from failure to follow the procedure.

**NOTE** *Instructions to aid in installation, operation, and maintenance, or which clarify a procedure.*



## SAFETY - SECTION A

THIS SAFETY INFORMATION APPLIES TO THE SM-SERIES SUBMERSIBLE MOTOR DRIVEN PUMP AND CONTROL BOX.



Before attempting to open or service the pump:

1. Familiarize yourself with this manual.
2. Lock out incoming power to the control box to ensure that the pump will remain inoperative.
3. Allow the pump to cool if overheated.
4. Close the discharge valve (if used).



The pump is designed to be operated through the control box furnished with the pump. The control box provides overload protection and power control. Do not connect the pump motor directly to the incoming power lines.



The electrical power used to operate this pump is high enough to cause injury or death. Obtain the services of a qualified electrician to make all electrical connections. Make certain that the pump and enclosure are properly

grounded. Be sure that the incoming power matches the voltage and phase of the pump and control before connecting the power source. Do not run the pump if the voltage is not within the limits.



The electrical power used to operate this pump is high enough to cause injury or death. Make certain that the control handle on the control box is in the off position and locked out, or that the power supply to the control box has been otherwise cut off and locked out, before attempting to open or service the pump assembly. Tag electrical circuits to prevent accidental start-up.



All electrical connections must be in accordance with msha schedule 2g. If there is a conflict between the instructions provided and msha specifications, msha specifications shall take precedence. All electrical equipment supplied with this pump was in conformance with msha requirements in effect on the date of manufacture. Failure to follow applicable specifications, or substitution of electrical parts not supplied or approved by the manufacturer, can result in severe injury or death.

**WARNING!**

This pump is **NOT** designed to pump volatile, explosive, or flammable materials. Refer to the chart in installation, section b for the basic materials of construction for each pump covered in this manual. **DO NOT** attempt to pump any liquids for which your pump is not approved, or which may damage the pump or endanger personnel as a result of pump failure. Consult the factory for specific application data.

**WARNING!**

After the pump has been installed, make certain that the pump and all piping or hose connections are secure before operation.

**WARNING!**

Approach the pump cautiously after it has been running. Although the motor is cooled by the liquid being pumped, normal operating temperatures can be high enough to cause burns. The temperature will be especially high if operated against a closed discharge valve. Never operate against a closed discharge valve for long periods of time.

**WARNING!**

Do not open the control box in an explosive atmosphere. When sealed, the control box is explosion proof to prevent the ignition of combustible gases. Opening the box in an explosive atmosphere could result in fire or explosion.

## INSTALLATION – SECTION B

### Review all SAFETY INFORMATION in Section A.

This section is intended only to summarize recommended installation practices for the pump and control box. If there are any questions concerning your specific application, contact your Gorman-Rupp distributor or the Gorman-Rupp Company

All functions performed by the customer on the pump or control must be done in accordance with MSHA schedule 2G regulations to ensure the explosion-proof integrity. No alterations of original design may be made without the consent of the Gorman-Rupp Company and MSHA.



TO RETAIN "PERMISSIBILITY" OF THIS EQUIPMENT, THE FOLLOWING CONDITIONS SHALL BE SATISFIED:

- 1. GENERAL SAFETY.** FREQUENT INSPECTION SHALL BE MADE. ALL ELECTRICAL PARTS, INCLUDING THE PORTABLE CABLE AND WIRING, SHALL BE KEPT IN A SAFE CONDITION. THERE SHALL BE NO OPENINGS INTO THE CASINGS OF THE ELECTRICAL PARTS. A PERMISSIBLE DISTRIBUTION BOX SHALL BE USED FOR CONNECTION TO THE POWER CIRCUIT UNLESS CONNECTION IS MADE IN FRESH INTAKE AIR. THE MACHINE FRAME SHALL BE EFFECTIVELY GROUNDED. THE POWER WIRES SHALL NOT BE USED FOR GROUNDING. THE OPERATING VOLTAGE MUST MATCH THE VOLTAGE RATING OF THE MOTOR(S) 10%.
- 2. SERVICING.** EXPLOSION-PROOF ENCLOSURES SHALL BE RESTORED TO THE STATE OF ORIGINAL SAFETY WITH RESPECT TO ALL FLAME ARRESTING PATHS, LEAD ENTRANCES, ETC., FOLLOWING DISASSEMBLY FOR REPAIR OR REBUILDING, WHETHER BY THE OWNER OR AN INDEPENDENT SHOP.
- 3. FASTENING.** ALL BOLTS, NUTS, SCREWS, AND OTHER MEANS OF FASTENING, AND ALSO THREADED COVERS, SHALL BE IN PLACE, PROPERLY TIGHTENED AND SECURED.
- 4. RENEWALS AND REPAIRS.** INSPECTIONS, REPAIRS, OR RENEWALS OF ELECTRICAL PARTS SHALL NOT BE MADE UNLESS THE PORTABLE CABLE IS DISCONNECTED FROM THE CIRCUIT FURNISHING POWER, AND THE CABLE SHALL NOT BE CONNECTED AGAIN UNTIL ALL PARTS ARE PROPERLY REASSEMBLED. SPECIAL CARE SHALL BE TAKEN IN MAKING RENEWALS OR REPAIRS. LEAVE NO PARTS OFF. USE REPLACEMENT PARTS EXACTLY LIKE THOSE FURNISHED BY THE MANUFACTURER. WHEN ANY LEAD ENTRANCE IS DISTURBED, THE ORIGINAL LEADS OR EXACT DUPLICATES THEREOF SHALL BE USED AND STUFFING BOXES SHALL BE REPACKED IN THE APPROVED MANNER.
- 5. CABLE REQUIREMENTS.** A FLAME-RESISTANT PORTABLE CABLE BEARING A MSHA-ASSIGNED IDENTIFICATION NUMBER, ADEQUATELY PROTECTED BY AN AUTOMATIC CIRCUIT-INTERRUPTING DEVICE, SHALL BE USED. SPECIAL CARE SHALL BE TAKEN IN HANDLING THE CABLE TO GUARD AGAINST MECHANICAL INJURY AND WEAR. SPLICES IN PORTABLE CABLES SHALL BE MADE IN A WORKMANLIKE MANNER, MECHANICALLY STRONG, AND WELL INSULATED. ONE TEMPORARY SPLICE MAY BE MADE IN ANY TRAILING CABLE. SUCH TRAILING CABLE MAY ONLY BE USED FOR THE NEXT 24-HOUR PERIOD. NO TEMPORARY SPLICE SHALL BE MADE IN A TRAILING CABLE WITHIN 25 FEET OF THE MACHINE, EXCEPT CABLE REEL EQUIPMENT. CONNECTIONS AND WIRING TO THE OUTBY END OF THE CABLE SHALL BE IN ACCORDANCE WITH RECOGNIZED STANDARDS OF SAFETY.



## PREINSTALLATION INSPECTION

The pump and control box were inspected and tested before shipment from the factory. Before installation, inspect the pump for damage which may have occurred during shipment. Check as follows:

- a. Inspect the pump assembly for cracks, dents, damaged threads, and other obvious damage.
- b. Check for and tighten loose attaching hardware. Since gaskets tend to shrink after drying, check for loose hardware at mating surfaces.
- c. The standard pump is furnished with 50 feet of power cable. Inspect the cable for cuts or damage.
- d. Inspect the control box for cracks, dents, and other obvious damage.
- e. Check that all control box components are securely attached to their mounting surfaces, and that the electrical connections are tight and free of corrosion.
- f. Compare the amperes, phase, voltage and hertz indicated on the motor nameplate to the ratings indicated for the control box.
- g. Carefully read all tags, decals, and markings on the pump assembly and the control box, and perform all duties as indicated.
- h. Check the pump and motor for any oil leaks. An oil leak may indicate a cut O-ring or other damage.
- i. If the pump and control box have been stored for more than 12 months, some of the components or lubricants may have exceeded their maximum shelf life. These **must be inspected or replaced** to ensure maximum pump service.

If the maximum shelf life has been exceeded, or if anything appears to be abnormal, contact your Gorman-Rupp distributor or the factory to determine the repair or updating policy. **Do not** put the pump into service until appropriate action has been taken.

### Lubrication

This pump utilizes one lubrication cavity, located just behind the seal plate. It is filled with premium quality submersible pump oil which lubricates two shaft seals. The motor operates in air and requires no lubrication.

The lower shaft seal prevents liquid from entering the lubrication cavity, while the upper shaft seal prevents oil leakage into the motor. The upper seal also acts as backup protection in the event of lower seal failure.

The lubrication cavity was fully lubricated when shipped from the factory. Check the oil level before installing the pump (see **LUBRICATION in MAINTENANCE AND REPAIR**). An additional quart of oil has been provided with the pump to "top off" the oil cavity. If the oil level is abnormally low, determine the cause before putting the pump into service.

## PUMP INSTALLATION

### Pump Specifications

See Tables 1 and 2 for the typical pump specifications and motor data.

Table 1. Pump Specifications

Model	Voltage/Phase	Motor Horsepower	Motor Speed (RPM)	Full Load Amperes	No Load Amperes	Locked Rotor Amperes	Discharge Size (NPT)
SM2E	460/3	3.5	3450	5.4	2.0	25	2 INCH
SM2E	575/3	3.5	3450	4.3	1.6	20	2 INCH

Table 2. Additional Specifications

<b>Approximate Weights:</b>	
<b>Pump:</b>	
Models SM2E1-X3.5 460/3 & 575/3	60 lbs. (24 kg)
Models SM2E18-X3.5 460/3 & 575/3	65 lbs. (24 kg)
Models SM2E65-X3.5 460/3 & 575/3	65 lbs. (29,5 kg)
Control Box Only	30 lbs. (14 kg)
50 ft. of Cable	23 lbs. (10,4 kg)
Seal oil cavity capacity	1/2 U.S. pint (0.24 liter)

**Pump Dimensions**

The standard pump is provided with a suction strainer to prevent large solids from clogging the impeller. On high discharge head applications, the

strainer can be removed, and the pump suction "staged" to the discharge of another pump, allowing one pump to feed the other. See Figure 1 for the approximate physical dimensions of this pump and control box.

**OUTLINE DRAWING**

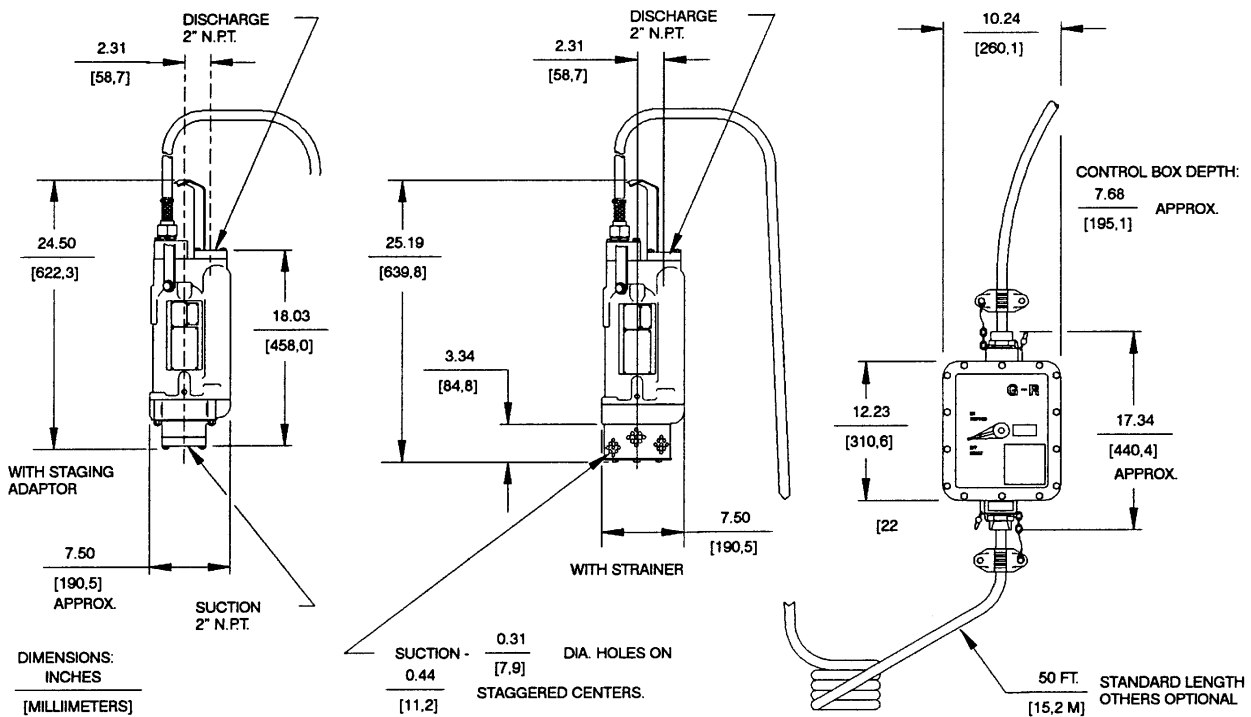


Figure 1. SM2E Pump Models (All Materials and Voltages)

Table 3. MSHA Specifications And Approval Data

<b>MSHA Approval Number (All Models)</b> ..... 2G-3971A-0				
<b>Commonwealth of Pennsylvania Approval Number (All Models)</b> ..... BFE-637-77				
Motor	MSHA No.	G-R P/N	Size	G-R Dwg. No.
Model SM2E1-X3.5 460/3	XP-3142-0	47111-100	D	47111-100
Model SM2E1-X3.5 575/3	XP-3142-0	47111-101	D	47111-100
Model SM2E18-X3.5 460/3	XP-3142-1	47111-070	D	47111-070
Model SM2E18-X3.5 575/3	XP-3142-1	47111-071	D	47111-070
Model SM2E65-X3.5 460/3	XP-3142-1	47111-068	D	47111-068
Model SM2E65-X3.5 575/3	XP-3142-1	47111-069	D	47111-068
<b>Control Box (Starter)</b>				
460V Models	XP-3026-1	47631-146	D	47631-064
575V Models	XP-3026-1	47631-147	D	47631-064
<b>Motor Cable</b>				
#12 Ga., 7 Conductor Type SPC, 0.89 ± 0.03 O.D., Heavy Jacketed 90°C Royal-MSHA 122., Flame Resistant, Max. Length 500 Ft.	P-122-MSHA	47351-011	B	47351-011
<b>Trailing Cable</b>				
#8 Ga., 3 Conductor Type G-GC, 0.97 ± 0.03 O.D., Protected by an Instantaneous Trip Circuit Breaker set at 200 Amps Max., Flame Resistant, Max. Length 500 Ft.	Customer Furnished			
<b>Strain Clamps (4 Items 2 Req'd)</b>		38116-603	B	38116-603
<b>Cable Protector (4 Req'd)</b>		33573-001	B	33573-001
<b>Approval Plate</b>		2613-ES	B	2613-ES
<b>Wiring Diagram</b>			C	15374D
<b>Caution Statement</b>				Form No. 060282-1
<b>Factory Inspection Form</b>				Form No. GL-02128

**Lifting**

Use lifting equipment with a capacity of at least 5 times the weight of the complete unit (include the weight of any customer-installed accessories, the power cable, and the control box if all are to be lifted). Refer to Table 2 for weights. Customer-installed equipment such as discharge piping must be removed before attempting to lift.



**Do not attempt to lift the pump by the motor power cable or the piping. Attach proper lifting equipment to the lifting device fitted to the pump. If chains or cable are wrapped around the pump to lift it,**

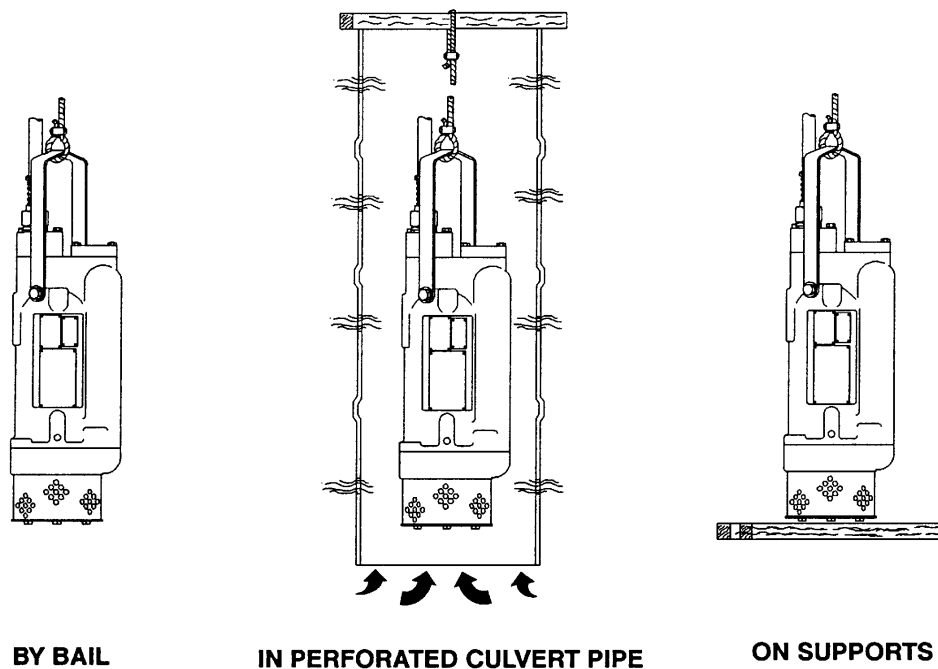
**make certain that they are positioned so as not to damage pump, and so that the load will be balanced.**

### Positioning the Pump

This pump is designed to operate fully or partially submerged. It may also be operated in air for extended periods. The rotating parts are oil lubricated, and the motor is cooled by a constant flow of air discharged through internal passages.

The pump will operate if positioned on its side, but this is not recommended because the motor torque could cause the pump to roll during operation.

The pump should be independently secured and supported by the lifting device fitted on the pump. If the application involves a lot of debris, protect the pump from excessive wear and clogging by suspending it in a perforated barrel or culvert pipe. If the bottom is heavily sludge-covered, rest the pump on support blocks or suspend it from a raft or similar device near the surface of the liquid. See Figure 2 for typical pump installations.



**Figure 2. Typical Pump Installations**

All liquid entering the pump must pass through a strainer screen. Any spherical solids which pass through the screen will pass through the pump.

### NOTE

*Before actual operation, check the direction of impeller rotation to ensure that the pump is properly wired to the control box. See **Checking Pump Rotation** in **OPERATION**, Section C.*

### PIPING

No suction piping is required in a standard submerged application.

The pump is provided with a suction strainer to prevent large solids from clogging the impeller. On high discharge head applications, the strainer can be removed, and the pump suction "staged" to the discharge of another pump, allowing one pump to feed the other.

To determine the size of the discharge connection, see Table 1, **Pump Specifications**. Either hose or

rigid pipe may be used. To facilitate mobility and maintenance, it is recommended that the discharge line be fitted with a quick disconnect fitting near the pump. The discharge line must be independently supported to avoid strain and vibration on the pump.

For maximum pumping capacity, keep the discharge as short and straight as possible. Minimize the use of elbows and fittings which increase friction losses through the discharge piping system.

It is recommended that a check valve or throttling valve be installed in the discharge line to control siphoning or back flow when the pump is shut off.

**CONTROL BOX INSTALLATION**

This pump is driven by an integral 3.5 horsepower motor. It is designed to operate through the control box furnished with the pump.



**The pump is designed to be operated through the control box furnished with**

**the pump. The control box provides overload protection and power control. Do not connect the pump motor directly to the incoming power lines.**

**Enclosure**

The control box is a NEMA type 10, MSHA certified enclosure. **The enclosure is not designed to be watertight, and should not be submerged.** See Figure 3 for enclosure dimensions and callouts.

Secure the control box vertically on a level surface, above flood level. The box should be easily accessible to the operator, and located close enough to the pump to avoid excessive voltage drop due to cable length (see **Pump Power Cable Connections**). After the box is installed, make certain the front cover latches properly.



Failure to mount the control box vertically on a level surface may affect operation of the pump controls.

**Table 4. Control Box Specifications**

Model	Voltage/ Phase	Control Box Part No.	Mtg. Plate Part No.	Relay Rating (Amps)	Hold Amps	Trip Amps	MSHA Cert. No.
SM2E	460/3	47631-146	47882-001	5.2	5.7	6.5	XP-3026-1
SM2E	575/3	47631-147	47882-002	4.2	4.5	5.2	XP-3026-1

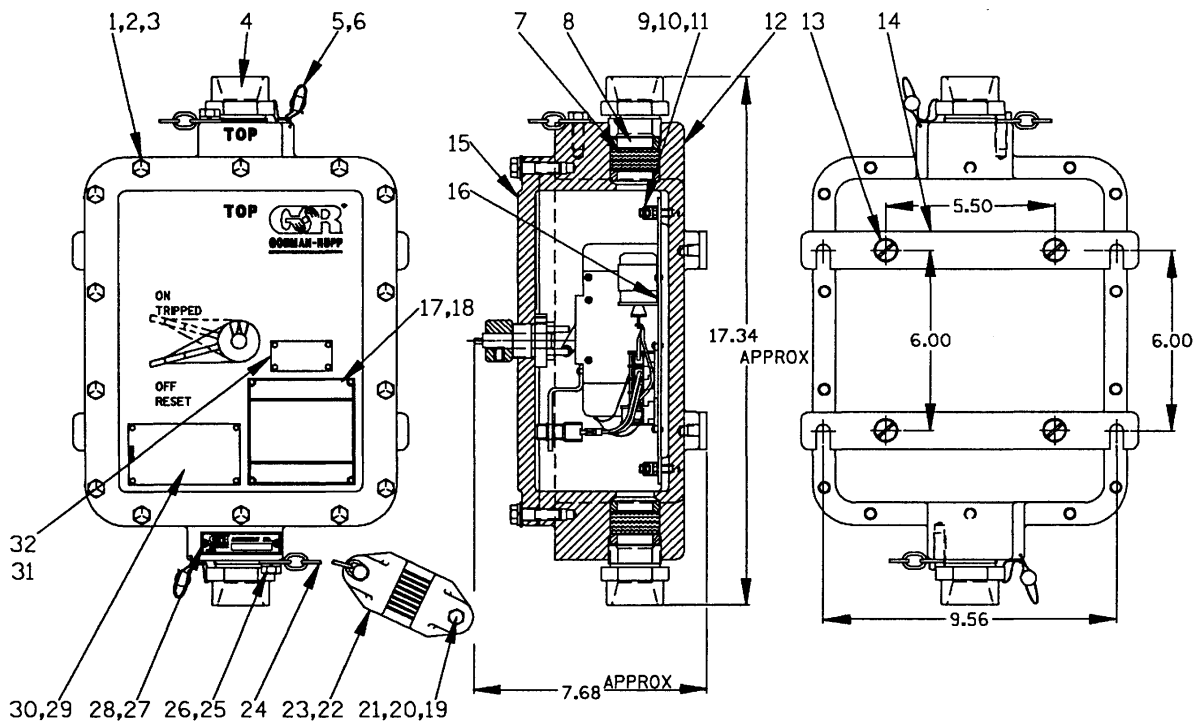


Figure 3. Control Box Assembly

**PARTS LIST - EXTERNAL PARTS**  
**47631-146 (460V) AND 47631-147 (575V) CONTROL BOXES**  
 (See Figure 4 For Internal Control Box Parts)

ITEM NO.	PART NAME	PART NUMBER	MAT'L CODE	QTY	ITEM NO.	PART NAME	PART NUMBER	MAT'L CODE	QTY
1	HEX HD CAPSCREW	21632-597	----	14	*	-SHAFT BUSHING	31513-031	13155	1
2	LOCKWASHER	J06	15991	14	*	-BUSHING SETSCREW	GA#10-01S	15990	1
3	FLAT WASHER	KE06	15991	14		-WIRING DECAL	2613GM	----	1
4	PACKING GLAND NUT	31874-017	13045	2	16	MTG PLT ASSY (460V)	47882-001	----	1
5 *	LEAD SEAL	21188-002	----	2		MTG PLT ASSY (575V)	47882-002	----	1
6 *	WIRE - 14 INCH	31311-004	17990	2	17	MSHA CERT PLATE	2613GL	17020	1
7 *	ROPE PACKING	31313-010	22120	1	18	DRIVE SCREW	BM#04-03	17000	4
8 *	PACKING WASHER	31133-109	13150	4	19	HEX HD CAPSCREW	B0608	15991	4
9	GROUND LUG	27222-004	----	2	20	LOCKWASHER	J06	15991	4
10	HEX HD CAPSCREW	B0402	15991	4	21	HEX NUT	D06	15991	4
11	LOCKWASHER	J04	15991	4	22	CABLE CLAMP	38116-603	13040	4
12	ENCLOSURE	38383-001	13045	1	23	RUB BRKT PROTECTOR	33573-001	19990	4
13	FL HD MACH SCREW	Y0602	15991	4	24	CHAIN - 3/16 X 12	41158-009	15991	2
14	MOUNTING BRACKET	33657-002	13090	2	25	HEX HD CAPSCREW	B0604	15991	2
15 *	ENCL COVER ASSY	42114-074	----	1	26	LOCKWASHER	J06	15991	2
	-ENCLOSURE COVER	38383-401	13015	1	27	ASSEMBLY PLATE	2613GG	17020	1
*	-ON/OFF HANDLE	38421-012	13040	1	28	DRIVE SCREW	BM#04-03	17000	2
*	-HANDLE SETSCREW	GA0501 1/2	15990	1	29	MSHA APPROVAL PLATE	2613ES	17020	1
*	-SHAFT ASSY	41881-276	24150	1	30	DRIVE SCREW	BM#04-03	17000	2
					31	PENN DOER APPL PLATE	2613FL	17020	1
					32	DRIVE SCREW	BM#04-03	17000	4

\*: INDICATES PARTS RECOMMENDED FOR STOCK

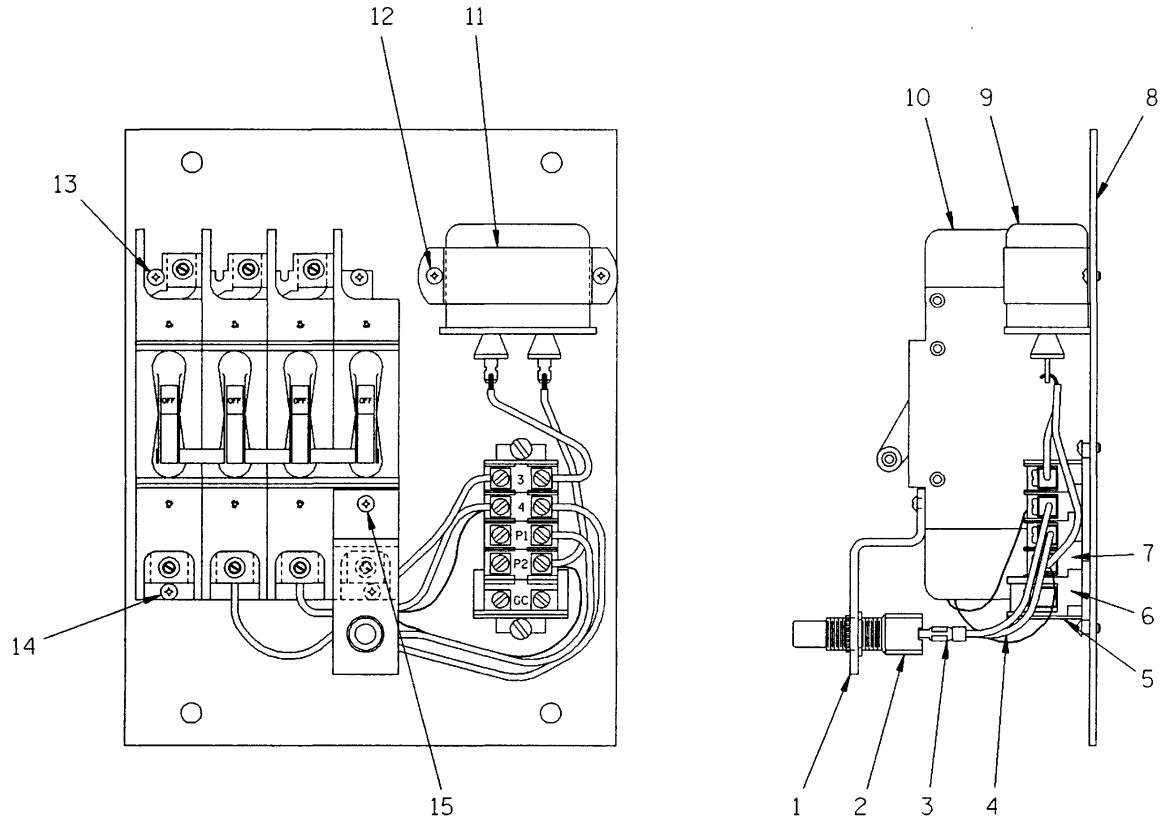


Figure 4. Electrical Mounting Plate Assembly

PARTS LIST

47882-001 (460V) AND 47882-002 (575V) MOUNTING PLATE ASSEMBLIES

(See Figure 3 For External Control Box Parts)

ITEM NO.	PART NAME	PART NUMBER	MAT'L CODE	QTY
1	SWITCH BRACKET	34512-027	----	1
2	* CUTLER HAMMER SWITCH	27341-211	----	1
3	TERMINAL	S1790	----	2
4	WIRE - 14 GA. X 36.5 IN. LG.	38746-027	----	1
5	TERMINAL BLOCK END	27233-021	----	1
6	TERMINAL BLOCK	NOT REQUIRED	----	
7	TERMINAL BLOCK	27233-203	----	5
8	MOUNTING PLATE	33287-011	----	1
9	* G-E CAPACITOR	27571-332	----	1
10	* RELAY/SHUNT TRIP (460V)	27541-485	----	1
	* RELAY/SHUNT TRIP (575V)	27541-494	----	1
11	CAPACITOR BRACKET	27581-904	----	1
12	RD PHILLIP MACH SCREW	21771-551	----	2
13	RD PHILLIP MACH SCREW	21771-552	----	4
14	RD PHILLIP MACH SCREW	21771-553	----	2
15	RD PHILLIP MACH SCREW	21771-542	----	1

\* INDICATES PARTS RECOMMENDED FOR STOCK

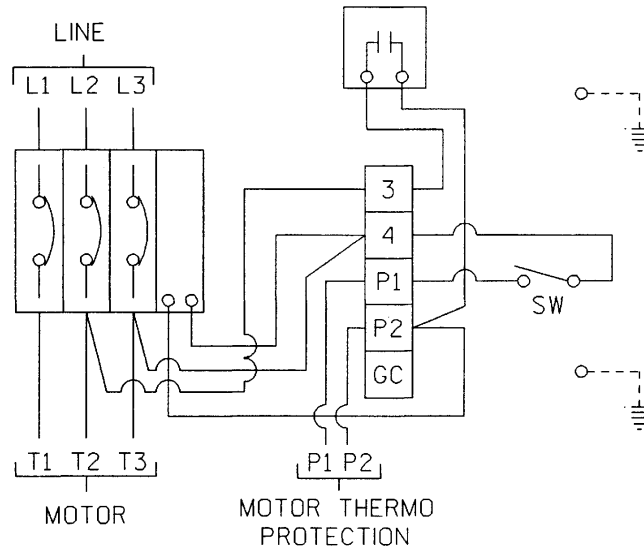


Figure 5. Mounting Plate Wiring Schematic

**Grounding Methods**

Electrically ground the installation before before connecting the field wiring to the control box. Install a grounding terminal to the enclosure and connect it to a properly embedded electrode.

The material used for the electrode **must** be an excellent conductor of electricity, such as copper. If

iron or steel is used, it must be galvanized or otherwise metal plated to resist corrosion. **Do not** coat the electrode with any material of poor conductivity, such as paint or plastic.

The electrode must conform to the recommendations of MSHA. Follow all installation requirements of MSHA, and all applicable codes. See Figure 6 for some suggested grounding methods.

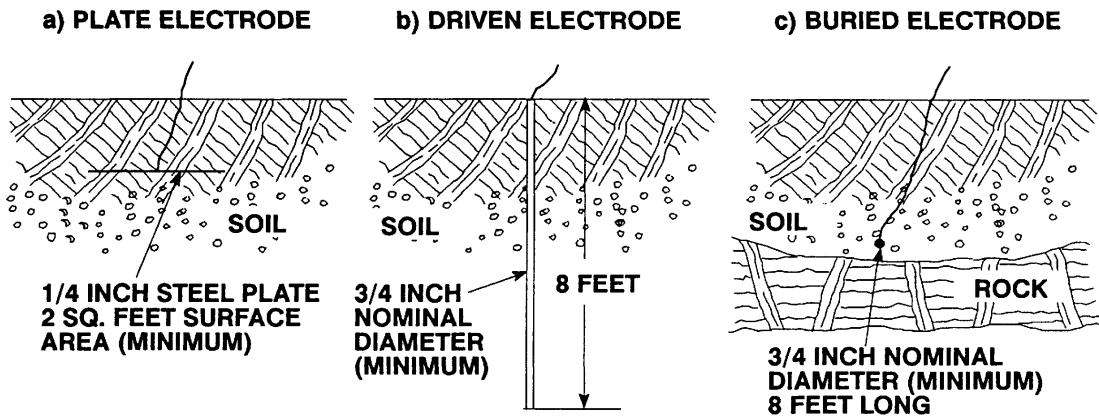


Figure 6. Suggested Grounding Methods

a. **Plate Electrode:** An iron or steel plate, 1/4 inch (6,4 mm) thick, completely impeded in the ground. The plate must present a surface area of at least 2 square feet (1858,1 sq. cm).

b. **Driven Electrode:** A rod or pipe, 3/4 inch (19,1 mm) in diameter minimum, 8 feet (2,4 m) long, completely driven into the ground.

c. **Buried electrode:** If rock or stone prevents embedding the full 8 foot (2,4 m) length of the ground rod, bury it horizontally in a trench.

Space the ground rod or plates at least 6 feet (1,8 m) from any other electrode or ground rod, such as those used for signal circuits, radio grounds, lightning rods, etc.



The earth surrounding the ground rod or plate **must** contain enough moisture to make a good electrical connection. In dry or sandy areas, pour water around the rod, or consult qualified personnel to devise a method of improving the connection.



**The electrical power used to operate this pump is high enough to cause injury or death. Make certain that the control box is properly grounded after installation.**

**Field Wiring Connections (Incoming Power)**

The trailing cable from the power source to the control box must be furnished by the customer. The cable must be flame-resistant, protected by an instantaneous circuit breaker, and meet the specifications indicated in Table 2 in this section.



**The electrical power used to operate this pump is high enough to cause injury or death. Obtain the services of a qualified electrician to make all electrical connections. Make certain that the pump and enclosure are properly grounded; NEVER use gas pipe as an electrical ground. Be sure that the incoming power matches the voltage and phase of the pump and control before connecting the power source. Do not run the pump if the voltage is not within the limits.**



**Do not open the control box in an explosive atmosphere. When sealed, the con-**

**trol box is explosion proof to prevent the ignition of combustible gases. Opening the box in an explosive atmosphere could result in fire or explosion.**

The pump control is designed to regulate a 460 or 575 volt, 3 phase, 60 hertz power supply (see Figure 3 for control box specifications). The field wiring must be properly sized to ensure an adequate voltage supply. The voltage available **at the motor** must be within the range indicated in Table 5.

To calculate the voltage available at the motor, proceed as follows:

- a. Measure the incoming voltage across lines 1 & 2, 2 & 3, and 1 & 3 **while the pump is operating at full capacity**. See the wiring diagrams in this section for power supply connections.
- b. Next, subtract the motor cable voltage drop (see Table 6, **Pump Power Cable Specifications**).
- c. Do not continue to operate the pump if this voltage is not within the recommended limits. Obtain the services of a qualified electrician to determine the correct field wiring size and other details to insure an adequate voltage supply to the pump.

**Table 5. Pump Motor Voltage Limits**

Nominal Voltage	Phase	Minimum Voltage	Maximum Voltage
460	3	420	500
575	3	520	630

Use the packing gland nuts to secure and seal the incoming field wiring to the control box. make certain all connections are tight and that cable entry points are rainproof. Support the cable weight, if required, to prevent excessive strain on cable clamps and cable.

**NOTE**

*After the power cables have been connected to the control box, the packing gland nuts must be wired and sealed before operation. See **Terminal Housing And Power Cable Reassembly** in Section E for instructions.*

**Pump Power Cable Connections**



The electrical power used to operate this pump is high enough to cause injury or death. obtain the services of a qualified electrician to make all electrical connections. **MAKE CERTAIN** that incoming power to the control box is **IN THE OFF POSITION AND LOCKED OUT**, or that the power supply to the control box has been otherwise **CUT OFF AND LOCKED OUT**, before connecting power or accessory cables.

The standard pump is provided with a 50 foot power cable (see table 6 for cable specifications). If a longer cable is required, an optional cable assembly **must** be ordered from the factory. Splicing of the power cable is **not** recommended by the Gorman-Rupp Company due to safety and warranty considerations.



Never attempt to alter the length or repair any power cable with a splice. The pump motor and cable must be completely waterproof. Injury or death may result from alterations.

**Table 6. Pump Power Cable Specifications Model SM2E**

Voltage/ Phase	A.W.G Cable Size	Cable O.D. (Inches)	Conductor Dia. (Inches)	Amp Rating* at 30°C (Amperes)	DC Resistance at 25°C (ohms/1000 ft.)	Voltage Drop at Max. Load per 100 ft.
460/3	12	0.89	0.10	30	1.72	1.86
575/3	12	0.89	0.10	30	1.72	1.48

\*Applies only to type SPC cable. Refer to manufacturer’s specifications for other cable.

When necessary to change or connect the pump power cable to the control box, make certain the incoming power is **OFF** and **LOCKED OUT**. Make certain the control box is **PROPERLY GROUNDED** and that the electrical data on the control matches the motor name plate data.

Connect the pump power cable to the control box as shown in Figure 6 in this section. Use conduit or cable clamps to secure the power and accessory cables to the control box. Make certain that all connections are tight and that cable entry points are rainproof.

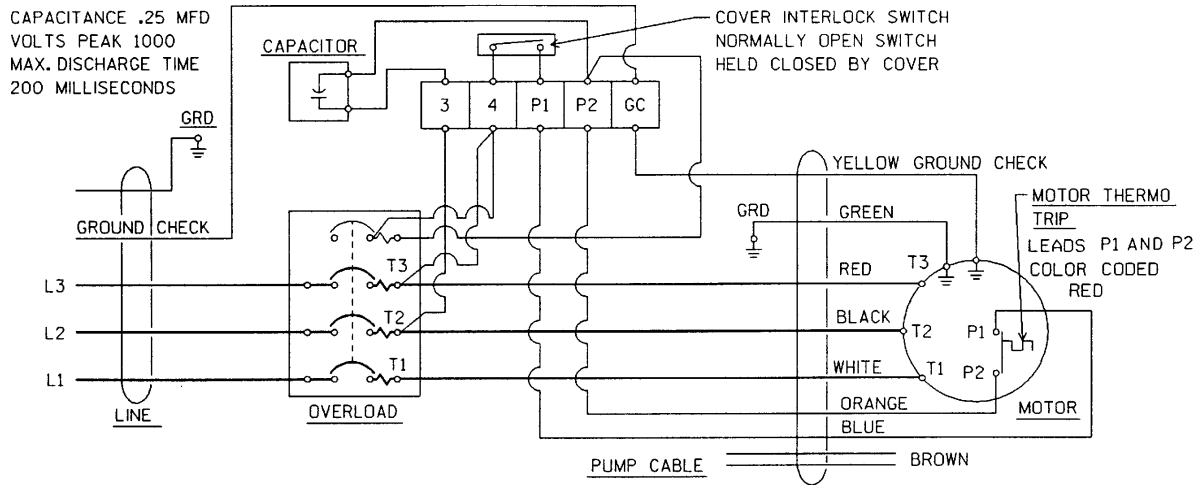


Figure 7. Pump Power Cable Connection Diagram (All Models)

#### PUMP POWER CABLE CONNECTION INSTRUCTIONS

1. Run the pump cable through the packing gland nuts and washers (the concave side of the washer should toward the packing) at the bottom of the control.
2. Connect the white, black, and red power leads to terminals "T1", "T2", and "T3", respectively.
3. Connect the green ground lead to terminal "GRD".
4. Connect the yellow ground check lead to terminal "GC".
5. Connect the blue control lead to terminal "P1".
6. Connect the orange control lead to terminal "P2".
7. Install the packing in the gland with the washers on each side, and tighten the packing gland nut. With the nuts tight and the packing fully compressed, there must be a minimum space of 1/8 inch between the bottom of the nut and the enclosure.
8. Use the seal wire (P/N 31311-004) and lead seal (P/N 21188-002) to secure the packing gland nut to the enclosure. Use the hole in the hex nut and the hole at the top left of the enclosure to prevent loosening of the nut. See **Terminal Housing And Power Cable Reassembly And Installation** in Section E for details.

## OPERATION – SECTION C

Review all Safety Information in Section A.

Follow the instructions on all tags, labels and decals attached to the pump and control box.

### CONTROL BOX FUNCTION

A control box is provided to facilitate operation of the pump. It contains controls for starting and stopping the pump, and provides overload protection for the pump motor.



**The pump is designed to be operated through the control box furnished with the pump. The control box provides overload protection and power control. Do not connect the pump motor directly to the incoming power lines.**



Since operation of the pump motor is dependent upon the quality and performance of the electrical controls, the pump warranty is valid only when controls have been specified or provided by the Gorman-Rupp company.

#### Component Function

The control box contains the following hand-operated switches and controls:

- **The control handle** operates the control box circuit breakers. In the OFF position, the control handle opens the circuit breakers to interrupt incoming power through the control box and prevent pump operation. In the ON position, it closes the circuit breakers to permit

pump operation. The circuit breakers will open or “trip” automatically in the event of a short circuit overload current, or thermal excess within the pump motor or electrical system. When tripped, move the control handle to OFF and back to ON to reset the circuit breakers.

- The control box contains an integral safety switch which automatically “trips” the circuit breakers when the cover is removed. **Never** remove the cover in an explosive atmosphere. Make certain incoming power is **OFF** and **LOCKED OUT**.
- The motor is thermally protected by a thermostat within the stator. In the event of motor overheating, the thermostat will open and automatically “trip” the control box circuit breakers. The motor will not restart until the circuit breakers are reset.

#### NOTE

*If the circuit breaker trips, do not reset it immediately. Wait at least ten minutes before resetting the control handle back to the ON position. If the overload unit continues to trip, operational problems exist. See TROUBLESHOOTING.*

### PUMP OPERATION



**This pump is designed to handle most non-volatile, non-flammable liquids encountered in mine dewatering. Do not attempt to pump volatile, explosive, or flammable materials, or any liquids which may damage the pump or endanger personnel as a result of pump failure.**

### Liquid Temperature And Overheating

The maximum liquid temperature for this pump is 120°F (102.2°C). Do not apply the pump at higher operating temperatures.



Approach the pump cautiously after it has been running. Although the motor is cooled by the liquid being pumped, normal operating temperatures can be high enough to cause burns. The temperature will be especially high if operated against a closed discharge valve. Never operate against a closed discharge valve for long periods of time.

If overheating does occur, stop the pump immediately and allow it to cool before servicing it. Approach any overheated pump cautiously.



Overheated pumps can cause severe burns and injuries. If overheating of the pump occurs:

1. Stop the pump immediately.
2. Ventilate the area.
3. Allow the pump to cool.
4. Check the temperature before servicing.
5. Vent the pump slowly and cautiously.
6. Refer to instructions in this manual before restarting the pump.

### Checking Pump Rotation



Do not open the control box in an explosive atmosphere. When sealed, the control box is explosion proof to prevent the ignition of combustible gases. Opening the box in an explosive atmosphere could result in fire or explosion.

Check the direction of pump rotation before operation to ensure that the impeller is rotating in the correct direction.

Suspend the pump from the lifting device fitted on the pump. Turn the pump on momentarily and note the direction of twist. For correct rotation and operation, the twist must be in a **counterclockwise** direction when viewed from the **top** (see Figure 1).



Secure the pump during rotation to prevent coiling of the power cable.

If the pump twists clockwise on start, interchange any two motor leads at the control box.



The electrical power used to operate this pump is high enough to cause injury or death. Make certain that incoming power is off and locked out before interchanging motor leads.

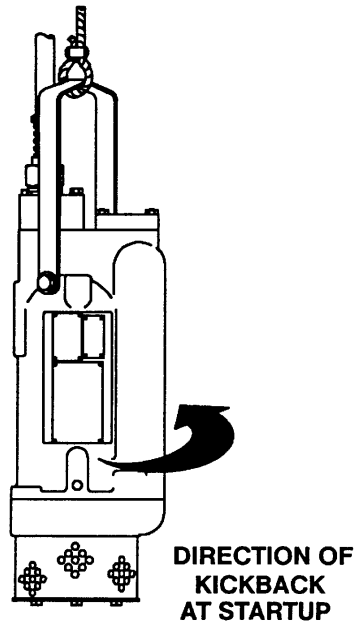


Figure 1. Checking Pump Rotation

## STARTING

After the pump and control box have been installed, start the pump as follows.

### NOTE

Before actual operation, check the direction of impeller rotation to ensure that the pump is properly wired. See **Checking Pump Rotation** in this section.



Never start the pump more than 6 times per hour. If the pump motor does not cool between starts, it will over-heat, resulting in damage to the motor windings or control box components.

Move the control handle to the ON position. The pump motor will start running, and pumping should begin. Since the pump is submerged, priming is not required.

## STOPPING

To stop the pump, turn the control handle OFF, thereby opening the circuit breaker.

This **does not** terminate incoming power through the field wiring connected to the control box.

After stopping the pump, be sure to perform all required maintenance and preservation procedures.

### NOTE

It is recommended that a check valve or throttling valve be installed in the discharge line if there is any possibility of siphoning or back flow when the pump is shut off.

## Operational Checks

Check the pump for proper operation when it is first started and periodically thereafter to identify minor problems.

Check the pump for unusual noises or excessive vibration while it is operating. If noise or vibration is excessive, stop the pump and refer to the troubleshooting chart for possible causes.

Check the pump strainer screen for clogging caused by stones, sticks, or other debris. Clean the strainer screen when required. In some cases, stopping the pump momentarily may back flush the strainer screen, purging most of the debris from it. If this fails to clean the screen, remove the pump from the sump and remove the debris manually (see **PUMP END DISASSEMBLY** in Section E).

**Never** introduce air or steam pressure into the pump casing or piping to remove a blockage. This could result in personal injury or damage to the equipment. If backflushing is absolutely necessary, **liquid pressure** must be limited to 50% of the maximum permissible operating pressure shown on the pump performance curve (see **MAINTENANCE AND REPAIR**, Section E).

Check the pump for overheating. The pump could overheat if operated against a closed discharge valve, or if subjected to repeated start cycles.

#### Cold Weather Preservation

In freezing temperatures, the pump will not freeze as long as it is submerged in liquid. If the pump casing is not submerged, or if the liquid begins to freeze, remove the pump from the sump or wet well and allow it to dry thoroughly. Run the pump for two or three minutes to dry the inner walls.

If the pump freezes, move it into a warm area until completely thawed, or submerge it into the liquid. If the liquid is near freezing, the pump must be sub-

merged for an extended period of time. Start the pump and check for shaft rotation. If still frozen, allow additional thawing time before attempting to restart.



**Do not attempt to thaw the pump by using a torch or other source of flame. This could damage gaskets or heat the oil within the pump above the critical point and cause the pump to rupture or explode.**

## TROUBLESHOOTING – SECTION D

Review all Safety Information in Section A.



**The electrical power used to operate this pump is high enough to cause injury or death. Obtain the services of a qualified electrician to troubleshoot, test and/or service the electrical components of this pump.**

TROUBLE	POSSIBLE CAUSE	PROBABLE REMEDY
<p><b>PUMP FAILS TO START, CIRCUIT BREAKER NOT TRIPPED</b></p>	<p>Power source incompatible with control box.</p> <p>No voltage at line side of circuit breaker.</p> <p>Open circuit in motor windings or power cable.</p> <p>Defective motor power cable.</p> <p>Motor defective.</p>	<p>Correct power source.</p> <p>Check power source for blown fuse, open circuit breaker, broken lead, or loose connection.</p> <p>Check continuity.</p> <p>Replace cable.</p> <p>Check for and replace defective unit.</p>
<p><b>CIRCUIT BREAKER TRIPS</b></p>	<p>Low or high voltage, or excessive voltage drop between pump and control box.</p> <p>Defective insulation in motor windings or power cable; defective windings.</p> <p>Impeller jammed due to debris or insufficient clearance.</p> <p>Bearing(s) frozen.</p>	<p>Measure voltage at control box. Check that wiring is correct type, size, and length. (See Field Wiring Connection, Section B).</p> <p>Check insulation resistance; check continuity.</p> <p>Disassemble pump and check impeller.</p> <p>Disassemble pump and check bearing(s).</p>



TROUBLE	POSSIBLE CAUSE	PROBABLE REMEDY
<p><b>MOTOR RUNS, BUT PUMP FAILS TO DELIVER RATED DISCHARGE</b></p>	<p>Discharge head too high.</p> <p>Low or incorrect voltage.</p> <p>Discharge throttling valve partially closed; check that valve is installed improperly.</p> <p>Discharge line clogged or restricted; hose kinked.</p> <p>Liquid being pumped too thick.</p> <p>Strainer screen or impeller clogged.</p> <p>Insufficient liquid in sump or tank.</p> <p>Worn impeller vanes; excessive impeller clearance.</p> <p>Pump running backwards.</p>	<p>Reduce discharge head, or install staging adaptor and additional pump.</p> <p>Measure control box voltage, both when pump is running and when shut off.</p> <p>Open discharge valve fully; check piping installation.</p> <p>Check discharge lines; straighten hose.</p> <p>Dilute liquid if possible.</p> <p>Clear clog(s). Stop pump; back flow may flush away debris.</p> <p>Stop pump until liquid level rises.</p> <p>Check impeller and clearance. See <b>PUMP END REASSEMBLY</b>.</p> <p>Check direction of rotation and correct by interchanging any two motor leads at control box. (See <b>Pump Rotation</b>, Section C).</p>
<p><b>PUMP RUNS WITH EXCESSIVE NOISE OR VIBRATION</b></p>	<p>Pumping entrained air.</p> <p>Damaged or unbalanced impeller.</p> <p>Discharge piping not properly supported.</p> <p>Impeller jammed or loose.</p> <p>Pump cavitation.</p> <p>Motor shaft or bearings defective.</p>	<p>Check liquid level in sump; check position of pump and liquid level sensing device(s).</p> <p>Replace impeller.</p> <p>Check piping installation.</p> <p>Check impeller.</p> <p>Reduce discharge head, or restrict flow on low head applications.</p> <p>Disassemble pump and check motor and bearings.</p>

**ELECTRICAL TESTING**

If you suspect that pump malfunctions are caused by defects in the motor, power cable or control box, perform the following checks to help isolate the defective part.



**The electrical power used to operate this pump is high enough to cause injury or death. Obtain the services of a qualified electrician to troubleshoot, test and/or service the electrical components of this pump.**

Equipment	Use
Ammeter	To check AC Voltage and current (amperage)
Ohmmeter	To measure resistance (ohms) to ground



Be certain to refer to the wiring diagram(s) in the installation section of this manual before reconnecting any electrical components which have been disconnected.

**Test Equipment**

A volt/amp/ohmmeter and megohmmeter of adequate range and quality will be required to conduct the following electrical tests. The suggested equipment indicated below is commercially available, or an equivalent substitute may be used.

**Voltage Imbalance**

Each phase of the incoming three-phase power must be balanced with the other two as accurately

as a commercial voltmeter will read. If the phases are balanced, check out the motor as described below. If the phases are out of balance, contact your power company and request that they correct the condition.

- a. Use a voltmeter, Amprobe, or equivalent meter to read the voltage across terminals 1 & 2, 2 & 3, and 1 & 3 in the control box. All three measured voltages must be the same, as accurately as the meter will read. If possible, measure the voltage with the pump off, with the pump running but out of the water, and with the pump running in the water at full load. All the measured voltages at each condition must be the same.
- b. Use an Amprobe or equivalent meter to measure the current draw of each phase while the pump is running at full load and at no load. All three amperage readings must be the same at each condition, as accurately as the meter will read. Nominal amperage values are listed in Table 1, but these apply only when the actual voltage at the site is the nominal voltage listed.
- c. If the voltages are balanced with the pump off, but are unbalanced when the pump is running, a thorough check of the power source, all interconnecting cables, and the pump motor is required to isolate the defect.

**Motor And Motor Power Cable Continuity**

To check continuity, zero-balance the ohmmeter set at the RX1 scale, and test as follows:

- a. Disconnect the motor power cable leads from the control box and connect the test leads to any two of the power cable leads (not to the green ground lead or the yellow ground check lead(s)). If there is a high resistance reading on the ohmmeter, there is an open or broken circuit caused by a break in the power cable or motor windings, or by a bad connection between the motor and the power cable. Switch one test lead to the third power lead, and test again.
- b. If an open or broken circuit is indicated, check the power cable for obvious damage, and replace as necessary (see **MAINTENANCE**).

**NANCE AND REPAIR**). If there is no apparent damage to the motor cable, remove the terminal housing (see **MAINTENANCE AND REPAIR**) and check the continuity of each power cable lead at the terminal posts.

- c. If an open circuit still exists after each lead (terminal) has been tested and tightened, then the **entire** motor power cable must be replaced. Splicing or other means of repair are not recommended.
- d. If no break is found in the power cable, check the motor leads for continuity. If the test reading indicates an open or broken circuit, there is an open circuit in the motor.

#### NOTE

*It is recommended that a pump with a defective motor be returned to Gorman-Rupp, or to one of the Gorman-Rupp authorized Submersible Repair Centers.*

---

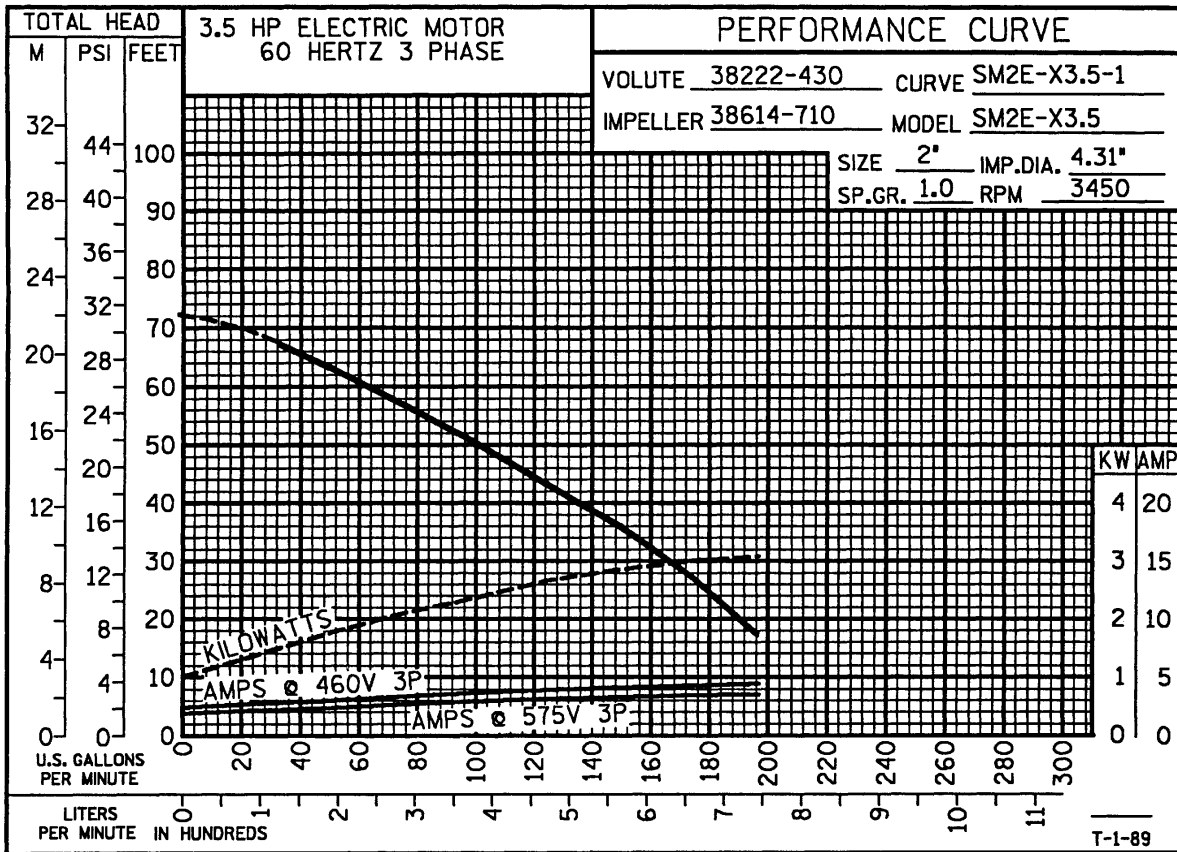
#### Insulation Resistance

To check insulation, zero-balance the ohmmeter set at the RX100K scale, and test as follows:

- a. Disconnect the motor power cable leads from the control box. Connect one test lead to the power cable green ground lead, and touch the other test lead to each of the three power leads in turn.
- b. The reading obtained will indicate resistance values in both the power cable and the motor windings. If the resistance reading is infinity (1), the insulation is in good condition. If the reading is between infinity (1) and 1 megohm, the insulation is acceptable but should be rechecked periodically. If the reading is less than 1 megohm, the insulation should be checked more closely; a reading of zero indicates that the power cable or the motor is grounded.
- c. To determine whether the power cable or the motor is grounded, remove the terminal housing (**MAINTENANCE AND REPAIR**), disconnect the motor leads from the motor terminals, and test the power cable leads and motor leads separately.

## PUMP MAINTENANCE AND REPAIR - SECTION E

**MAINTENANCE AND REPAIR OF THE WEARING PARTS OF THE PUMP WILL MAINTAIN PEAK OPERATING PERFORMANCE.**



### STANDARD PERFORMANCE FOR PUMP MODELS SM2E (ALL MATERIALS AND VOLTAGES)

Based on 70° F (21,1° C) clear water at sea level. Since pump installations are seldom identical, your performance may be difference due to such factors as viscosity, specific gravity, elevation, temperature, and impeller trim.

If your pump serial number is followed by an "N", your pump is **NOT** a standard production model. Contact the Gorman-Rupp Company to verify performance or part numbers.

SECTION DRAWING

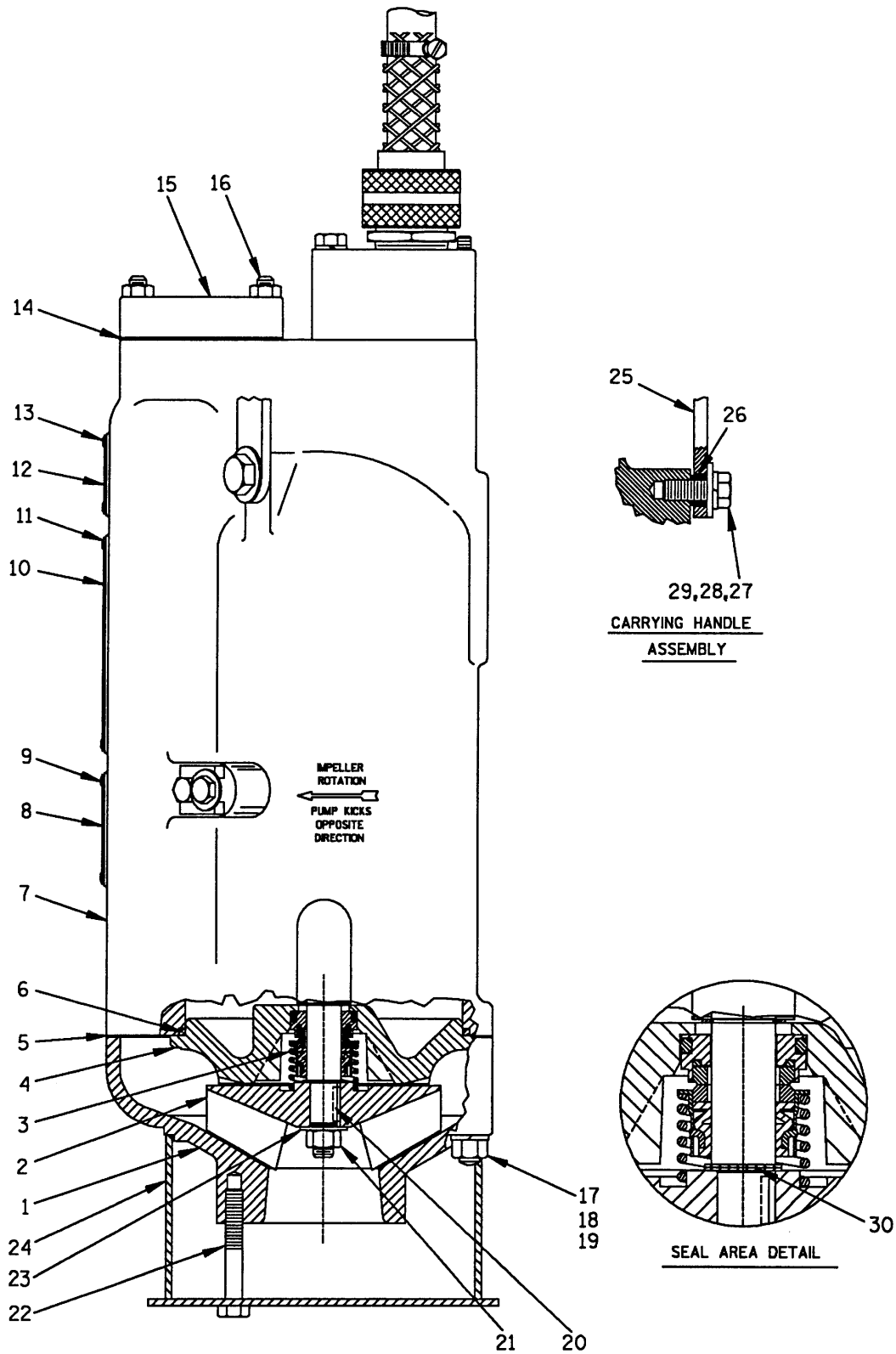


Figure 1. Pump Model SM2E1-X3.5 460/3 & 575/3

**PARTS LIST**

**Pump Model SM2E1-X3.5 460/3 & 575/3**

(From S/N 915775 up)

If your pump serial number is followed by an "N", your pump is **NOT** a standard production model. Contact the Gorman-Rupp Company to verify part numbers.

ITEM NO.	PART NAME	PART NUMBER	MAT'L CODE	QTY
1	SUCTION CASING	38222-430	10010	1
2	* IMPELLER	38614-710	14160	1
3	* SEAL ASSEMBLY	46512-036	-----	1
4	SEAL PLATE	38272-830	10010	1
5	* CASING GASKET	38674-807	20000	1
6	* SEAL PLATE O-RING	25152-250	-----	1
7	MOTOR ASSY (460V)	47111-100	-----	1
	MOTOR ASSY (575V)	47111-101	-----	1
8	PENN DOER APPL PLT	2613-FL	17020	1
9	DRIVE SCREW	BM#04-03	17000	4
10	MSHA PLATE	2613-ES	17020	1
11	DRIVE SCREW	BM#04-03	17000	4
12	NAME PLATE	2613-DD	17020	1
13	DRIVE SCREW	BM#04-03	17000	4
14	* FLANGE GASKET	10195-G	20000	1
15	DISCHARGE FLANGE	10195	13040	1
16	HEX NUT	D05	15991	4
17	STUD	C0611	17000	4
18	LOCKWASHER	J06	17000	4
19	HEX NUT	D06	17000	4
20	* IMPELLER KEY	N0202 1/2	17000	1
21	* IMPELLER NUT	D06	17000	1
22	NYLOCK CAPSCREW	BT0508	15991	4
23	FLAT WASHER	21161-808	-----	1
24	STRAINER ASSY	46611-004	2415V	1
25	HANDLE	10185-A	1502V	1
26	BUSHING	10194	15071	2
27	HEX HD CAPSCREW	B0604	15991	2
28	LOCKWASHER	J06	15991	2
29	FLAT WASHER	K06	15991	2
30	* IMP ADJ SHIM SET	669	14990	1
NOT SHOWN:				
	QUART SUBMERSIBLE PUMP OIL	9568	-----	1
	VOLTAGE TAG (430V)	6588-BL	-----	1
	VOLTAGE TAG (575V)	6588-BM	-----	1
	CONTROL BOX (460V)	47631-146	-----	1
	CONTROL BOX (575V)	47631-147	-----	1

\* INDICATES PARTS RECOMMENDED FOR STOCK

Above Serial Numbers Do Not Apply To Pumps Made In Canada.

CANADIAN SERIAL NO. .... AND UP

SECTION DRAWING

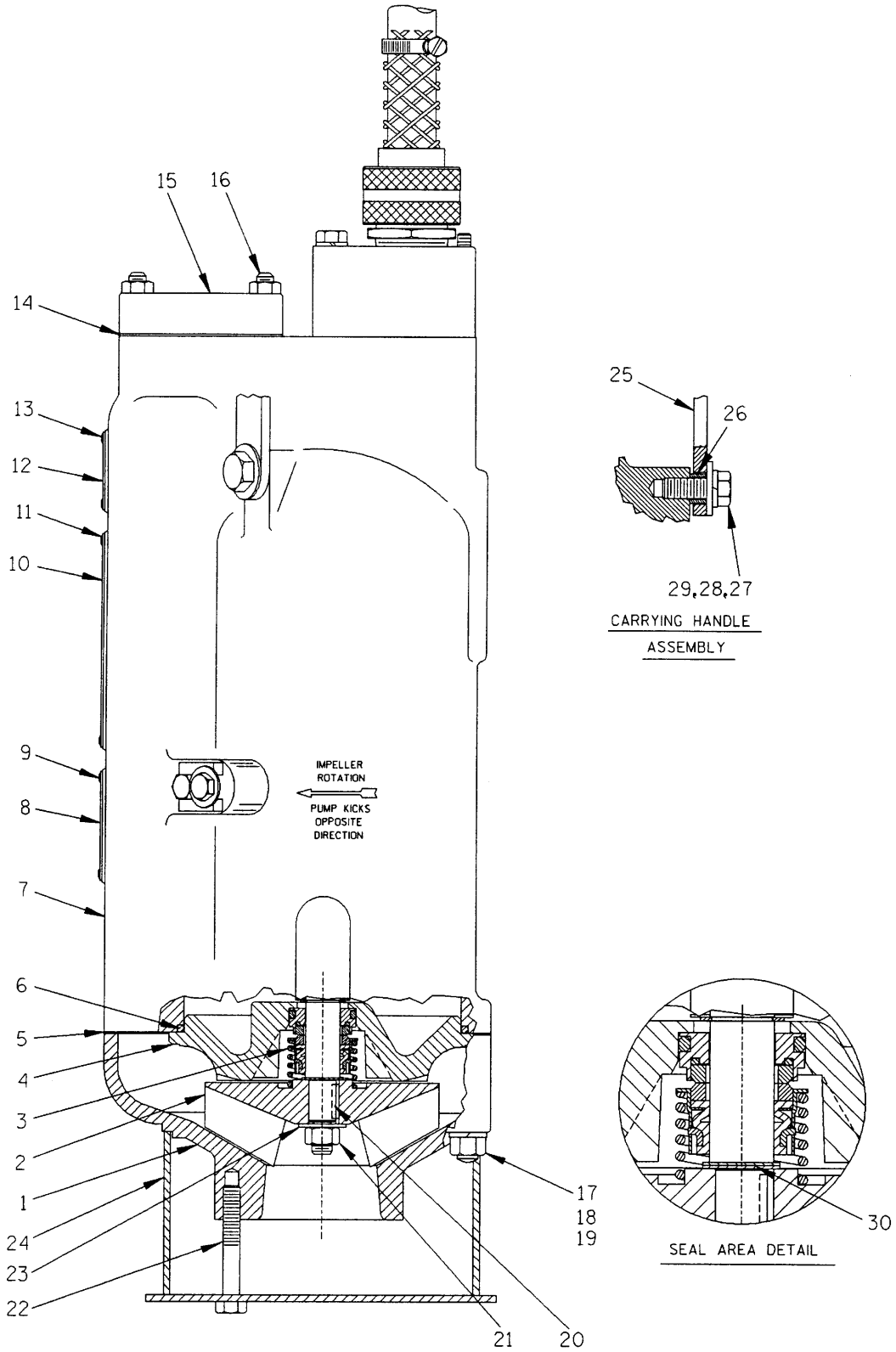


Figure 2. Pump Model SM2E18-X3.5 460/3 & 575/3

## PARTS LIST

## Pump Model SM2E18-X3.5 460/3 &amp; 575/3

(From S/N 915775 up)

If your pump serial number is followed by an "N", your pump is **NOT** a standard production model. Contact the Gorman-Rupp Company to verify part numbers.

ITEM NO.	PART NAME	PART NUMBER	MAT'L CODE	QTY
1	SUCTION CASING	38222-430	1718H	1
2	* IMPELLER	38614-710	1718H	1
3	* SEAL ASSEMBLY	46512-036	-----	1
4	SEAL PLATE	38272-830	1718H	1
5	* CASING GASKET	38674-807	20000	1
6	* SEAL PLATE O-RING	25152-250	-----	1
7	MOTOR ASSY (460V)	47111-070	-----	1
	MOTOR ASSY (575V)	47111-071	-----	1
8	PENN DOER APPL PLT	2613-FL	17020	1
9	DRIVE SCREW	BM#04-03	17000	4
10	MSHA PLATE	2613-ES	17020	1
11	DRIVE SCREW	BM#04-03	17000	4
12	NAME PLATE	2613-DD	17020	1
13	DRIVE SCREW	BM#04-03	17000	4
14	* FLANGE GASKET	10195-G	20000	1
15	DISCHARGE FLANGE	10195	13040	1
16	HEX NUT	D05	17000	4
17	STUD	C0611	17000	4
18	LOCKWASHER	J06	17000	4
19	HEX NUT	D06	17000	4
20	* IMPELLER KEY	N0202 1/2	17000	1
21	* IMPELLER NUT	D06	17000	1
22	NYLOCK CAPSCREW	BT0508	17000	4
23	FLAT WASHER	21161-808	-----	1
24	STRAINER ASSY	46611-005	24170	1
25	HANDLE	10185-A	1502V	1
26	BUSHING	10194	17090	2
27	HEX HD CAPSCREW	B0604	17000	2
28	LOCKWASHER	J06	17000	2
29	FLAT WASHER	KB06	17000	2
30	* IMP ADJ SHIM SET	13130	17000	1
NOT SHOWN:				
	QUART SUBMERSIBLE PUMP OIL	9568	-----	1
	VOLTAGE TAG (430V)	6588-BL	-----	1
	VOLTAGE TAG (575V)	6588-BM	-----	1
	CONTROL BOX (460V)	47631-146	-----	1
	CONTROL BOX (575V)	47631-147	-----	1

\* INDICATES PARTS RECOMMENDED FOR STOCK

Above Serial Numbers Do Not Apply To Pumps Made In Canada.

CANADIAN SERIAL NO. .... AND UP



SECTION DRAWING

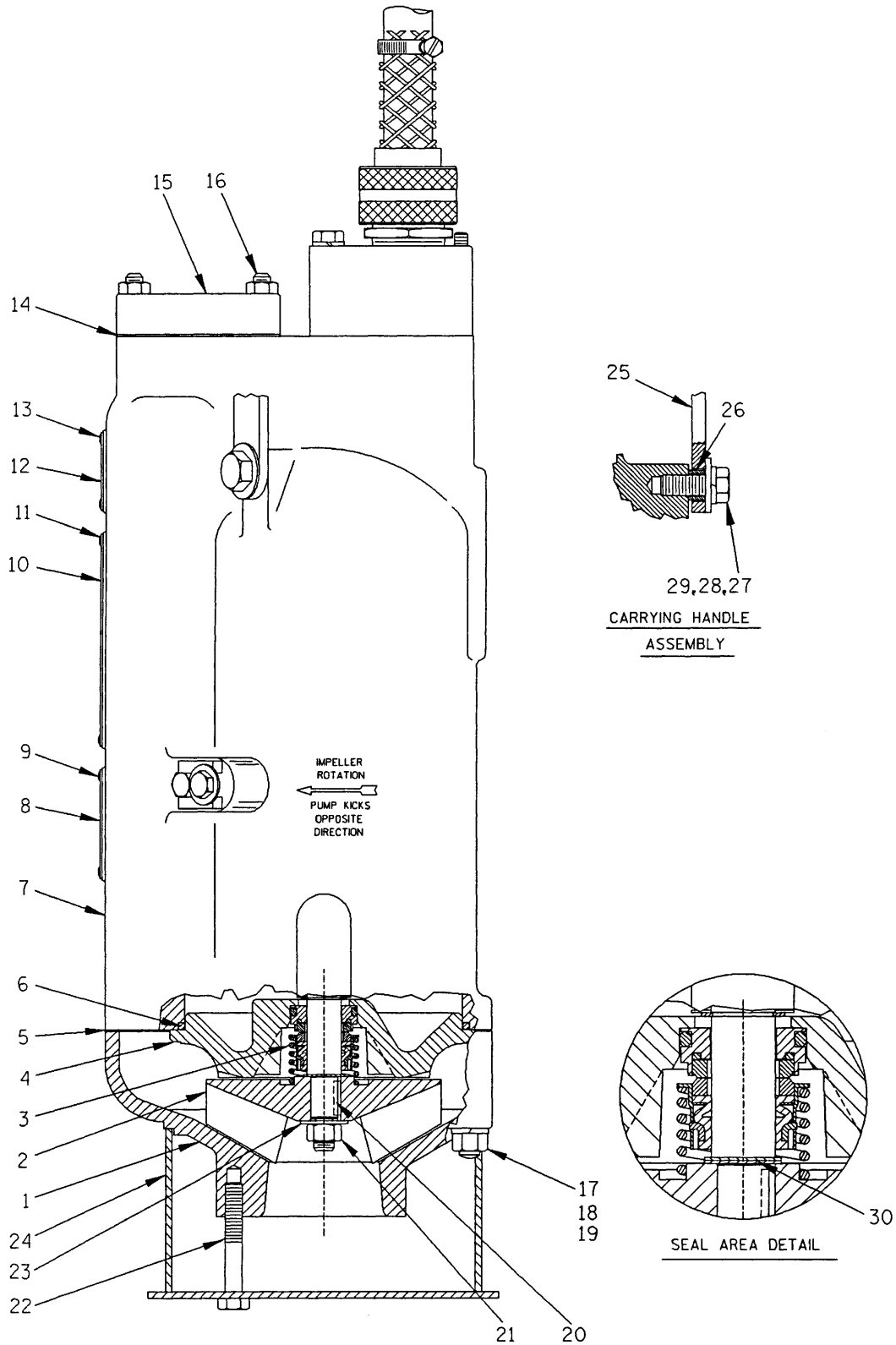


Figure 3. Pump Model SM2E65-X3.5 460/3 & 575/3

**PARTS LIST**

**Pump Model SM2E65-X3.5 460/3 & 575/3**

(From S/N 915775 up)

If your pump serial number is followed by an "N", your pump is **NOT** a standard production model. Contact the Gorman-Rupp Company to verify part numbers.

ITEM NO.	PART NAME	PART NUMBER	MAT'L CODE	QTY
1	SUCTION CASING	38222-430	1718H	1
2	* IMPELLER	38614-710	1718H	1
3	* SEAL ASSEMBLY	46512-069	-----	1
4	SEAL PLATE	38272-830	1718H	1
5	* CASING GASKET	38674-807	19370	1
6	* SEAL PLATE O-RING	25154-250	-----	1
7	MOTOR ASSY (460V)	47111-068	-----	1
	MOTOR ASSY (575V)	47111-069	-----	1
8	PENN DOER APPL PLT	2613-FL	17040	1
9	DRIVE SCREW	BM#04-03	17090	4
10	MSHA PLATE	2613-ES	17040	1
11	DRIVE SCREW	BM#04-03	17090	4
12	NAME PLATE	2613-DD	17040	1
13	DRIVE SCREW	BM#04-03	17090	4
14	* FLANGE GASKET	10195-G	19370	1
15	DISCHARGE FLANGE	10195	17070	1
16	HEX NUT	D05	17090	4
17	STUD	C0611	17090	4
18	LOCKWASHER	J06	17090	4
19	HEX NUT	D06	17090	4
20	* IMPELLER KEY	N0202 1/2	17090	1
21	* IMPELLER NUT	D06	17090	1
22	NYLOCK CAPSCREW	BT0508	17090	4
23	FLAT WASHER	21161-828	-----	1
24	STRAINER ASSY	46611-009	24170	1
25	HANDLE	10185-A	17050	1
26	BUSHING	10194	17090	2
27	HEX HD CAPSCREW	B0604	17090	2
28	LOCKWASHER	J06	17090	2
29	FLAT WASHER	KB06	17090	2
30	* IMP ADJ SHIM SET	669	17090	1
NOT SHOWN:				
	QUART SUBMERSIBLE PUMP OIL	9568	-----	1
	VOLTAGE TAG (430V)	6588-BL	-----	1
	VOLTAGE TAG (575V)	6588-BM	-----	1
	CONTROL BOX (460V)	47631-146	-----	1
	CONTROL BOX (575V)	47631-147	-----	1

\* INDICATES PARTS RECOMMENDED FOR STOCK

Above Serial Numbers Do Not Apply To Pumps Made In Canada.

CANADIAN SERIAL NO. .... AND UP

SECTION DRAWING

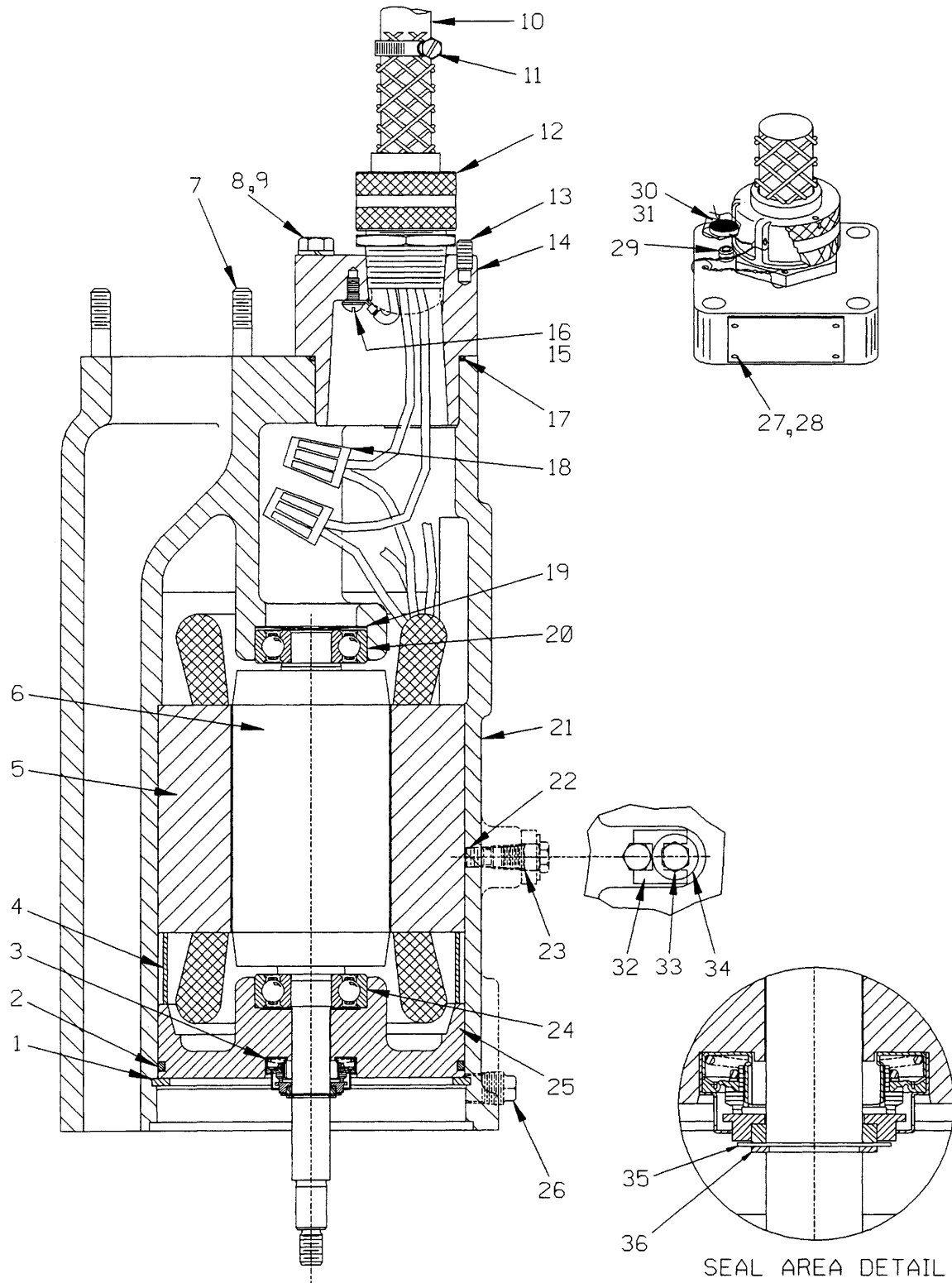


Figure 4. Pump Motor (SM2E1-X3.5 460/3 & 575/3)

## PARTS LIST

Pump Motor 47111-100 (SM2E1-X3.5 460/3)

and

Pump Motor 47111-101 (SM2E1-X3.5 575/3)

ITEM NO.	PART NAME	PART NUMBER	MAT'L CODE	QTY
1	RETAINING RING	24121-077	-----	1
2	* INTERMEDIATE O-RING	25152-248	-----	1
3	* MECH SEAL ASSY	25276-011	-----	1
4	MOTOR BUSHING	31134-060	23010	1
5	STATOR (460V)	47113-805	-----	1
	STATOR (575V)	47113-806	-----	1
6	ROTOR & SHAFT ASSY	47112-801	-----	1
7	STUD	C0506	15991	4
8	HEX HD CAPSCREW	21632-565	-----	4
9	LOCKWASHER	J05	15991	4
10	CABLE ASSY - 50 FT.	47351-011	-----	1
11	HOSE CLAMP	26518-666	-----	1
12	CABLE GRIP ASSY	27111-016	-----	1
13	ALLEN HEAD SETSCREW	GA0402	15991	1
14	TERMINAL HOUSING	38381-205	13040	1
15	TERMINAL HOUSING O-RING	25154-141	-----	1
16	RD HD MACH SCREW	X#10-01 1/2	14990	2
17	T-TYPE LOCKWASHER	AK#10	15991	2
18	CONNECTOR	S1718	-----	5
19	SPRING WASHER	S1554	-----	1
20	* BALL BEARING	23282-004	-----	1
21	MOTOR HOUSING	38311-017	13040	1
22	ALLEN HEAD SETSCREW	GA0501 1/4	15990	1
23	PIPE PLUG	38649-022	17030	1
24	* BALL BEARING	23282-004	-----	1
25	INTERMEDIATE	38261-016	13040	1
26	SEAL CAVITY FILL PLUG	P04	17000	1
27	CERTIFICATION PLATE	2613-GX	17020	1
28	DRIVE SCREW	BM#04-03	17000	4
29	ALLEN HEAD SETSCREW	GA0401	15991	1
30	WIRE - 14 IN.	31311-004	17990	1
31	LEAD SEAL	21188-002	-----	1
32	LOCK CLIP	33645-008	17030	1
33	NYLOCK CAPSCREW	BT0403	17000	1
34	FLAT WASHER	KB04	17000	1
35	ADJUSTING SHIM SET	513-A	17090	1
36	SNAP RING	S668	-----	1
OPTIONAL:				
	HOT-MELT ADHESIVE (1/2 IN. STICK)	18661-044	-----	1

\* INDICATES PARTS RECOMMENDED FOR STOCK

SECTION DRAWING

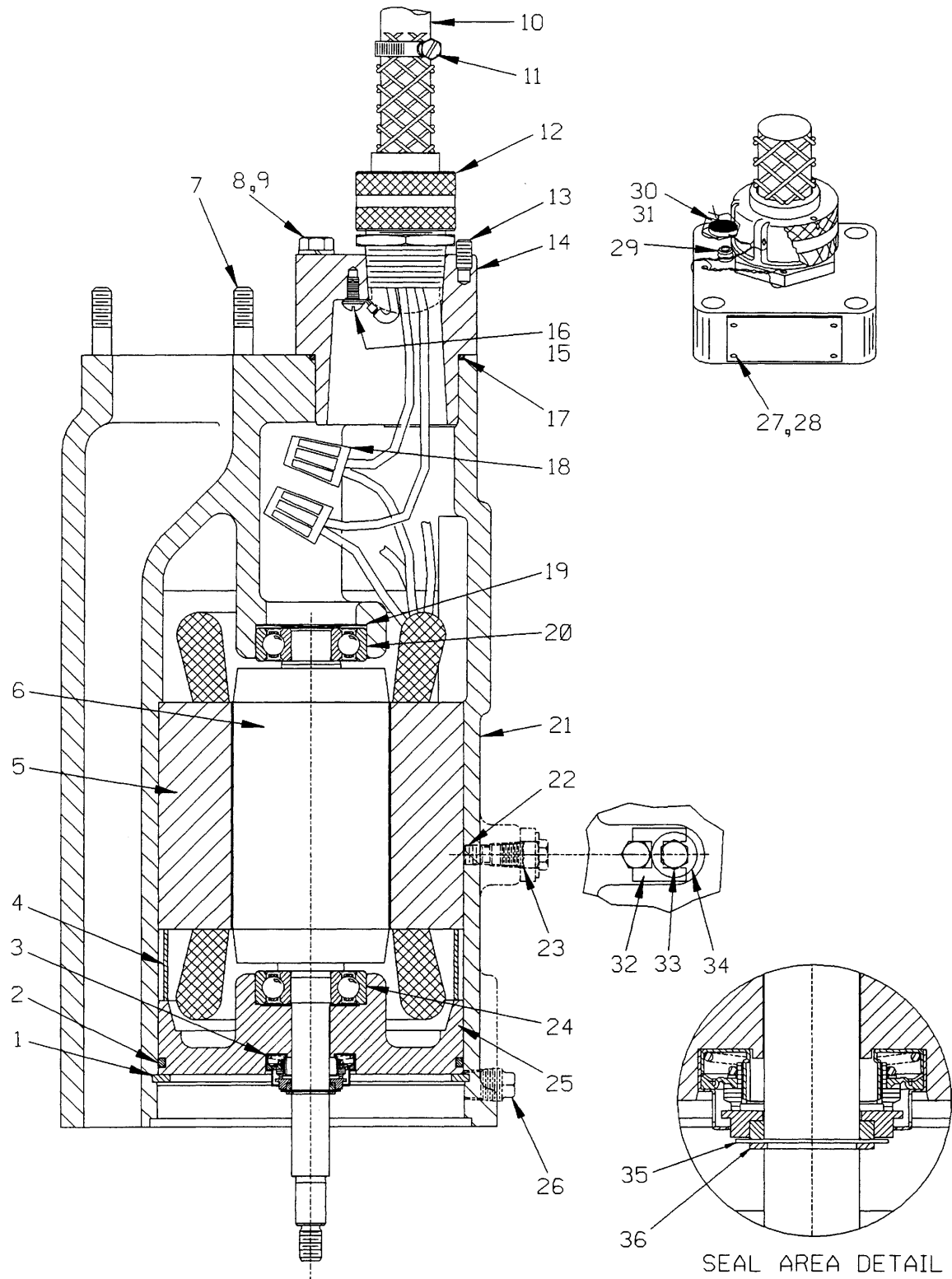


Figure 5. Pump Motor (SM2E18-X3.5 460/3 & 575/3)

## PARTS LIST

Pump Motor 47111-070 (SM2E18-X3.5 460/3)

and

Pump Motor 47111-071 (SM2E18-X3.5 575/3)

ITEM NO.	PART NAME	PART NUMBER	MAT'L CODE	QTY
1	RETAINING RING	24121-077	-----	1
2	* INTERMEDIATE O-RING	25152-248	-----	1
3	* MECH SEAL ASSY	25276-011	-----	1
4	MOTOR BUSHING	31134-060	23010	1
5	STATOR (460V)	47113-805	-----	1
	STATOR (575V)	47113-806	-----	1
6	ROTOR & SHAFT ASSY	47112-801	-----	1
7	STUD	C0506	17000	4
8	HEX HD CAPSCREW	B0509	17000	4
9	LOCKWASHER	J05	17000	4
10	CABLE ASSY - 50 FT.	47351-011	-----	1
11	HOSE CLAMP	26518-666	-----	1
12	CABLE GRIP ASSY	27111-816	-----	1
13	ALLEN HEAD SETSCREW	GA0402	17000	1
14	TERMINAL HOUSING	38381-205	13040	1
15	TERMINAL HOUSING O-RING	25154-141	-----	1
16	RD HD MACH SCREW	X#10-01 1/2	14990	2
17	T-TYPE LOCKWASHER	AK#10	15991	2
18	CONNECTOR	S1718	-----	5
19	SPRING WASHER	S1554	-----	1
20	* BALL BEARING	23282-004	-----	1
21	MOTOR HOUSING	38311-017	13040	1
22	ALLEN HEAD SETSCREW	GA0501 1/4	15990	1
23	PIPE PLUG	38649-022	17030	1
24	* BALL BEARING	23282-004	-----	1
25	INTERMEDIATE	38261-016	13040	1
26	SEAL CAVITY FILL PLUG	P04	17000	1
27	CERTIFICATION PLATE	2613-GX	17020	1
28	DRIVE SCREW	BM#04-03	17000	4
29	ALLEN HEAD SETSCREW	GA0401	17000	1
30	WIRE - 14 IN.	31311-004	17990	1
31	LEAD SEAL	21188-002	-----	1
32	LOCK CLIP	33645-008	17030	1
33	NYLOCK CAPSCREW	BT0403	17000	1
34	FLAT WASHER	KB04	17000	1
35	ADJUSTING SHIM SET	513-A	17090	1
36	SNAP RING	S668	-----	1
OPTIONAL:				
	HOT-MELT ADHESIVE (1/2 IN. STICK)	18661-044	-----	1

\* INDICATES PARTS RECOMMENDED FOR STOCK

SECTION DRAWING

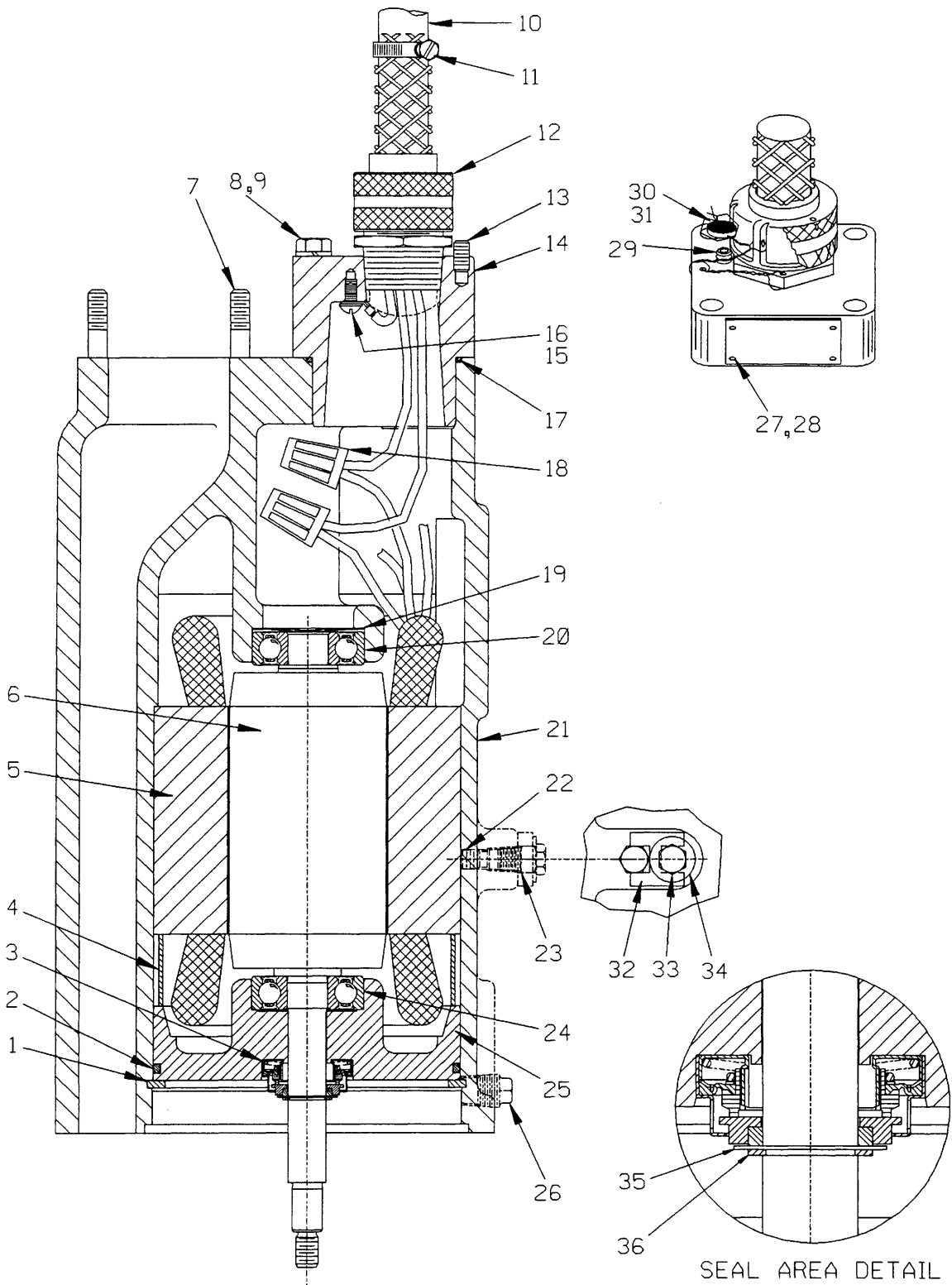


Figure 6. Pump Motor (SM2E65-X3.5 460/3 & 575/3)

## PARTS LIST

Pump Motor 47111-068 (SM2E65-X3.5 460/3)

and

Pump Motor 47111-069 (SM2E65-X3.5 575/3)

ITEM NO.	PART NAME	PART NUMBER	MAT'L CODE	QTY
1	RETAINING RING	24121-077	-----	1
2	* INTERMEDIATE O-RING	25152-248	-----	1
3	* MECH SEAL ASSY	25276-011	-----	1
4	MOTOR BUSHING	31134-060	23010	1
5	STATOR (460V)	47113-805	-----	1
	STATOR (575V)	47113-806	-----	1
6	ROTOR & SHAFT ASSY	47112-802	-----	1
7	STUD	C0506	17090	4
8	HEX HD CAPSCREW	B0509	17040	4
9	LOCKWASHER	J05	17090	4
10	CABLE ASSY - 50 FT.	47351-011	-----	1
11	HOSE CLAMP	26518-766	-----	1
12	CABLE GRIP ASSY	27111-816	-----	1
13	ALLEN HEAD SETSCREW	GA0402	17090	1
14	TERMINAL HOUSING	38381-205	17040	1
15	TERMINAL HOUSING O-RING	25154-141	-----	1
16	RD HD MACH SCREW	X#10-01 1/2	14990	2
17	T-TYPE LOCKWASHER	AK#10	15991	2
18	CONNECTOR	S1718	-----	5
19	SPRING WASHER	S1554	-----	1
20	* BALL BEARING	23282-004	-----	1
21	MOTOR HOUSING	38311-042	17040	1
22	ALLEN HEAD SETSCREW	GA0501 1/4	15990	1
23	PIPE PLUG	38649-022	17090	1
24	* BALL BEARING	23282-004	-----	1
25	INTERMEDIATE	38261-016	13040	1
26	SEAL CAVITY FILL PLUG	P04	17090	1
27	CERTIFICATION PLATE	2613-GX	17040	1
28	DRIVE SCREW	BM#04-03	17090	4
29	ALLEN HEAD SETSCREW	GA0401	17090	1
30	WIRE - 14 IN.	14964-103	-----	1
31	LEAD SEAL	21188-002	-----	1
32	LOCK CLIP	33645-008	17040	1
33	NYLOCK CAPSCREW	BT0403	17040	1
34	FLAT WASHER	KB04	17040	1
35	ADJUSTING SHIM SET	513-A	17090	1
36	SNAP RING	S668	-----	1
OPTIONAL:				
	HOT-MELT ADHESIVE (1/2 IN. STICK)	18661-044	-----	1

\* INDICATES PARTS RECOMMENDED FOR STOCK



## PUMP AND SEAL DISASSEMBLY AND REASSEMBLY

Review all Safety Information in Section A.

Follow the instructions on all tags, label and decals attached to the pump.

All functions performed by the customer on the pump or control must be done in accordance with MSHA, schedule 2G regulations to ensure the explosion-proof integrity. No alterations of original design may be made without the consent of the Gorman-Rupp Company and MSHA.

The following maintenance and repair instructions are keyed to the Pump Model sectional views (Figures 1 through 3), the Pump Motor sectional views (Figures 4 through 6), and the accompanying parts lists.



**The electrical power used to operate this pump is high enough to cause injury or death. Make certain that the control handle on the control box is in the OFF position and locked out, or that the power supply to the control box has been otherwise cut off and locked out, before attempting to open or service the pump assembly. Tag electrical circuits to prevent accidental start-up.**



**Do not open the control box in an explosive atmosphere. When sealed, the control box is explosion proof to prevent the ignition of combustible gases. Opening the box in an explosive atmosphere could result in fire or explosion.**

Before attempting to service the pump or control, terminate the power supply to the control box. Close the discharge throttling valve, if so equipped.

Use the hoisting bail to remove the pump from the wet well or sump, and move it to a location where the discharge line can be removed. It is not necessary to disconnect a flexible discharge hose before removing the pump. If rigid discharge piping is used, disconnect the piping before attempting to move the pump.



**Do not attempt to lift the pump by the motor power cable or the piping. Attach proper lifting equipment to the lifting device fitted to the pump. If chains or cable are wrapped around the pump to lift it, make certain that they are positioned so as not to damage pump, and so that the load will be balanced.**

Select a suitable location, preferably indoors, to perform the degree of maintenance required. If the motor housing is to be opened, the work must be done in a clean, well-equipped shop. All maintenance functions must be done by qualified personnel.

Check the chart in **TROUBLESHOOTING**, Section D, to determine the nature of the pump problem. If the problem is mechanical in nature, such as worn pump parts, seal replacement, lubrication, etc., refer to **PUMP END DISASSEMBLY** for instructions.

If the problem is electrical, complete disassembly may not be required. Refer to **Electrical Testing** in **TROUBLESHOOTING**, Section D, and have a qualified electrician check the control box, cable and terminal housing. If the problem is determined to be in the motor, proceed with **PUMP END DISASSEMBLY**, followed by **MOTOR DISASSEMBLY**. Otherwise, see **Terminal Housing And Power Cable Disassembly**.

All gaskets and most O-rings **must** be replaced if disturbed. Repair gaskets are listed on the parts lists.

## PUMP END DISASSEMBLY

### Strainer Removal

(Figures 1, 2 or 3)

To remove the strainer assembly (24) raise the pump slightly, or lay it on its side and disengage the strainer capscrews (22). If the impeller is clogged, the debris can probably be removed without further disassembly.

### Draining Oil From Seal Cavity

(Figures 4, 5 or 6)



Let the pump cool before removing the seal cavity drain plug. Pressure built up within a hot pump could cause the oil to spray out when the plug is removed. Remove the plug slowly and permit pressure to vent to atmosphere.

With the pump in a vertical position, clean any dirt from around the seal cavity drain plug (26). Remove the plug, and drain the seal oil into a **clean** container. Inspect the oil for water, dirt, or cloudy condition which could indicate lower seal failure or poor gasket seal.

### Positioning Pump For Disassembly

(Figures 1, 2 or 3)

It is recommended that the pump be positioned upside-down during disassembly. To hold the pump in the inverted position, screw a pipe in the discharge flange (15), and clamp it in a large vise, or remove the discharge flange, and secure the flange studs to a bench or work stand. Be careful not to damage the terminal housing or cable while in this position. Use adequate equipment and personnel to safely handle the pump until it is secured. If inverting the pump is not practical, lay the pump on its side and secure it to prevent rolling.

### Impeller Removal

(Figures 1, 2 and 3)

Remove the hardware (18 and 19) securing the suction casing (1) to the motor housing (7). Pull the suction casing off, and remove and discard the gasket (5).

Wedge a piece of wood between one of the impeller vanes and a stud (17) to prevent shaft rotation. Unscrew the impeller nut (21), and remove the flat washer (23). Pry the impeller off the shaft using two screwdrivers, and remove the impeller key (20).

### Lower Seal Removal

(Figures 1, 2, 3 and 8)

Remove the impeller adjusting shims (30); tie and tag the shims, or measure and record their thickness for ease of reassembly.

Remove the seal spring. Lubricate the shaft adjacent to the seal, and work oil up under the rubber bellows. Carefully pull the rotating portion of the lower seal assembly off the shaft.

Slide the seal plate (4), and the stationary portion of the seal off the shaft as a unit. Remove the seal plate O-ring (6).

Position the seal plate on a flat surface with the impeller side down. Carefully press the stationary portion of the seal out of the seal plate from the back side.

The rotating and stationary seal elements are precision finished and subject to wear. The complete seal should be replaced with each overhaul to ensure trouble-free operation. However, if the old seal must be reused, wrap the seal faces individually in clean tissue paper to prevent damage to the sealing surfaces.

### Upper Seal Removal

(Figures 4, 5, 6 and 7)

The intermediate (25) and upper seal assembly (3) must be removed as a unit to determine if the upper seal assembly is leaking, and to replace the seal if it is leaking.

Use large snap ring pliers to remove the retaining ring (1). Carefully pull straight up on the impeller end

of the rotor shaft until the assembled intermediate, seal, bearings (20 and 24), and shaft and rotor assembly (6) are free from the motor housing (21).

Inspect the rotor, stator, and inside of the motor housing for evidence of upper seal leakage. If no leakage is observed, the seal can be reused. However, if leakage is apparent, the intermediate and seal assembly must be separated from the rotor and shaft assembly. Cover the motor housing with a clean cloth after inspection to prevent contamination.

If the seal assembly does not require replacement, proceed to **Cleaning And Inspection Of Pump Parts**, followed by **Upper Seal Installation**.

If seal replacement is required, place the intermediate, seal, bearings, and shaft and rotor assembly on a clean, dry work surface, and remove the retaining ring (36) using snap ring pliers. Use caution when removing the retaining ring; tension of the seal spring will be released. Remove the adjusting shims (35). Tie and tag the shims, or measure and record their thickness for ease of reassembly.

Carefully slide the intermediate and seal assembly off the shaft as a unit. Use a hammer and punch (or other suitable tool) to tap the seal assembly out of the intermediate from the back side.

#### NOTE

*The seal assembly will be damaged or destroyed during removal.*

Remove the intermediate O-ring (2).

If no further disassembly is required, proceed to **PUMP END REASSEMBLY**.

#### NOTE

*If the motor housing components are to be serviced, see **MOTOR DISASSEMBLY** in this section. Do not reassemble the pump end components at this time.*

## PUMP END REASSEMBLY

#### NOTE

*Reuse of old O-rings, gaskets, or shaft seal parts may result in premature leakage or reduced pump performance. It is strongly recommended that new gaskets and shaft seal assemblies be used during reassembly (see the parts lists for numbers).*

#### Cleaning And Inspection Of Pump Parts

Carefully inspect any O-rings or gaskets before removal and cleaning to determine if a proper seal and compression existed prior to disassembly. If sealing was faulty or questionable, the cause must be determined and corrected before reassembly. Replace any parts as required.

#### NOTE

*The upper seal assembly will be damaged or destroyed if removed from the intermediate. If the seal was not removed from the intermediate, clean and inspect all pump end parts as follows, then reinstall the seal assembly and intermediate as a unit.*

Thoroughly clean all reuseable parts with a soft cloth soaked in cleaning solvent. Use a clean cloth lightly dampened with solvent to clean the lower end of the motor housing, intermediate, and seal plate. **Do not** allow the solvent to enter the motor.



**Most cleaning solvents are toxic and flammable. Use them only in a well-ventilated area free from excessive heat, sparks, and flame. Read and follow all precautions printed on solvent containers.**

Remove all O-rings and gaskets, and clean the sealing surfaces of dirt or gasket material. Be careful not to scratch gasket surfaces.

Inspect the rotor shaft for damaged threads, scoring, or nicks. Remove nicks and burrs with a fine file or hand honing stone to restore original contours. If the

shaft is bent or severely damaged, the rotor and shaft must be replaced as an assembly (see **MO-TOR DISASSEMBLY**).

### Upper Seal Installation

(Figures 4, 5, 6 and 7)

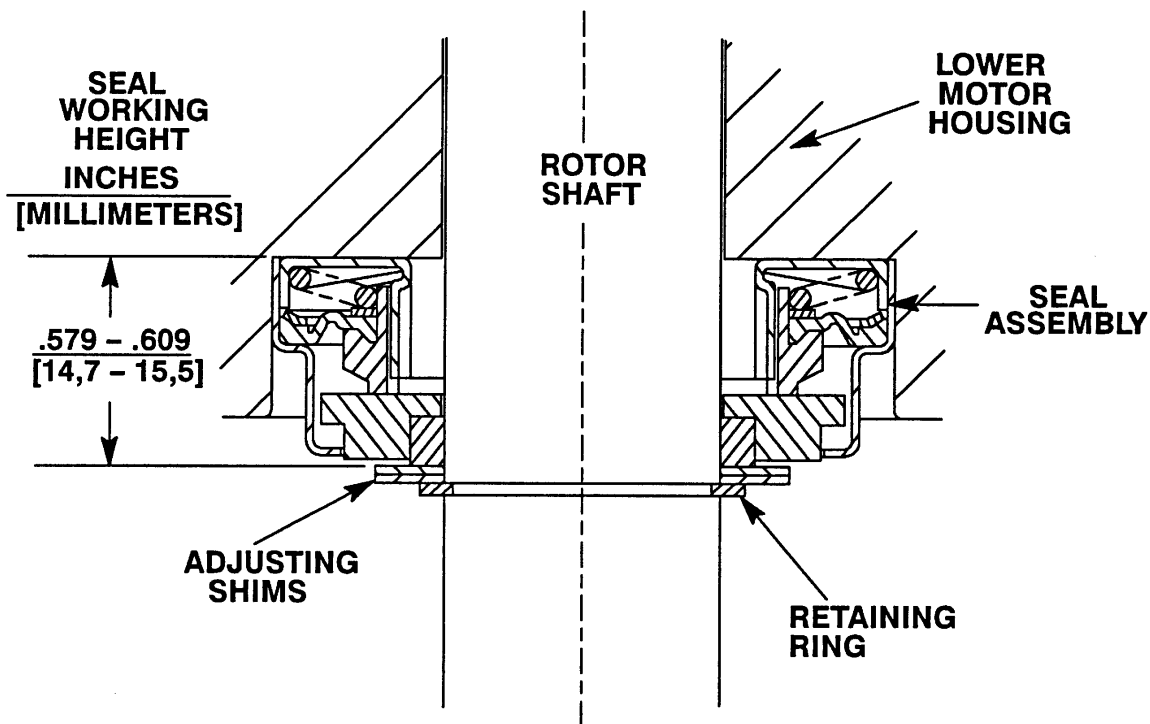
If the upper seal assembly **was not removed** from the intermediate at disassembly, replace the intermediate O-ring (2) and lightly lubricate it with oil. Check to insure that the wavy washer (19) and motor bushing (4) are properly positioned, and slide the rotor and shaft assembly, bearings, intermediate, and seal assembly into the motor housing until fully seated. Install the retaining ring (1).

If a **new seal** is to be installed, do not unwrap it until time of installation. Cleanliness of seal components is critical, especially the seal faces.

Clean the rotor shaft and seal cavity area of the intermediate (29). Be sure the area is dry and free of lint and dirt. **Do not** permit cleaning solvent or debris to fall into the motor cavity.

Install a new O-ring (2) in the groove in the intermediate and lightly lubricate it with oil. Carefully slide the intermediate onto the shaft until it is fully seated over the lower bearing (24).

Check to insure that the wavy washer (19) and motor bushing (4) are properly positioned, and carefully lower the intermediate, bearings, and shaft and rotor assembly into the motor housing. Press the intermediate into the motor housing until fully seated against the motor bushing, and install the retaining ring (1).



**Figure 7. Upper Seal Assembly 25276-011**

If all of the original motor parts are being reused, the same thickness of shims (35) as previously removed may be installed. However, if new motor parts are being installed that will affect parts "stackup", or if the thickness of shims removed at disassembly is unknown, it will be necessary to measure the seal bore in the intermediate to determine the required shim thickness. This distance is measured from the

bottom of the bore in the intermediate to the motor side of the retaining ring (36). Select the required combination of shims to obtain a seal working height of 0.579 to 0.609 inches as shown in Figure 7.

New seal assemblies are equipped with retaining clips for storage purposes. **These clips must be removed** before installing the seal assembly.



**New seal assemblies are equipped with spring holding clips for storage purposes. Remove and discard these clips before proceeding with seal reassembly. When removing the clips, use caution so that they do not pop off abruptly and cause personal injury. Failure to remove these clips can result in seal failure and pump damage.**

Lubricate the shaft and the outer edge of the seal assembly with a **light** coating of oil, and press the seal assembly into the intermediate bore until fully seated. Use a suitable sized sleeve which contacts **only** the outer metal edge to press the seal into place. Exert even pressure around the metal edge to prevent cocking or damage.



Press only on the outer edge of the seal assembly to prevent damage to the polished surfaces of the rotating and stationary seal faces.

Install the required thickness of shims (35), and secure with the retaining ring (36).

### Seal Plate Installation

(Figures 1, 2 and 3)

Thoroughly clean the seal plate with cleaning solvent. The seal seat bore must be free of burrs and nicks which could damage the seal seat O-rings.

Coat the O-ring (6) with light oil, and install it on the seal plate pilot. Press the seal plate into the motor

housing until fully seated. Be careful not to damage the O-ring.

### Lower Seal Installation

(Figures 1, 2, 3 and 8)

Do not unwrap the seal until time of installation. Cleanliness of seal components is critical, especially the seal faces.

**Be sure** the bore in the seal plate (where the stationary seat fits) and rotor shaft are clean, dry, and free of dirt or lint. Inspect the bore for burrs or nicks that might cut the seal O-ring or prevent a good seal. Apply a **light** coating of oil to the shaft and seal plate bore.

The lower seal is not normally reused because wear patterns on the finished faces cannot be realigned during reassembly. This could result in premature failure. If necessary to reuse an old seal in an emergency, **carefully** wash all metallic parts in fresh cleaning solvent and allow to dry thoroughly.

Handle the seal parts with extreme care to prevent damage. Be careful not to contaminate precision finished faces; even fingerprints on the faces can shorten seal life. If necessary, clean the faces with a non-oil based solvent and a clean, lint-free tissue. **Wipe lightly** in a concentric pattern to avoid scratching the faces.

Inspect the seal components for wear, scoring, grooves, and other damage that might cause leakage. If any components are worn, replace the complete seal; **never mix old and new seal parts.**

If a replacement seal is being used, remove it from the container and inspect the precision finished faces to ensure that they are free of any foreign matter.

To ease installation of the seal, lubricate the bellows and O-rings with water or a very **small** amount of light lubricating oil, and apply a drop of light lubricating oil on the finished faces. Assemble the seal as follows, (see Figure 8).

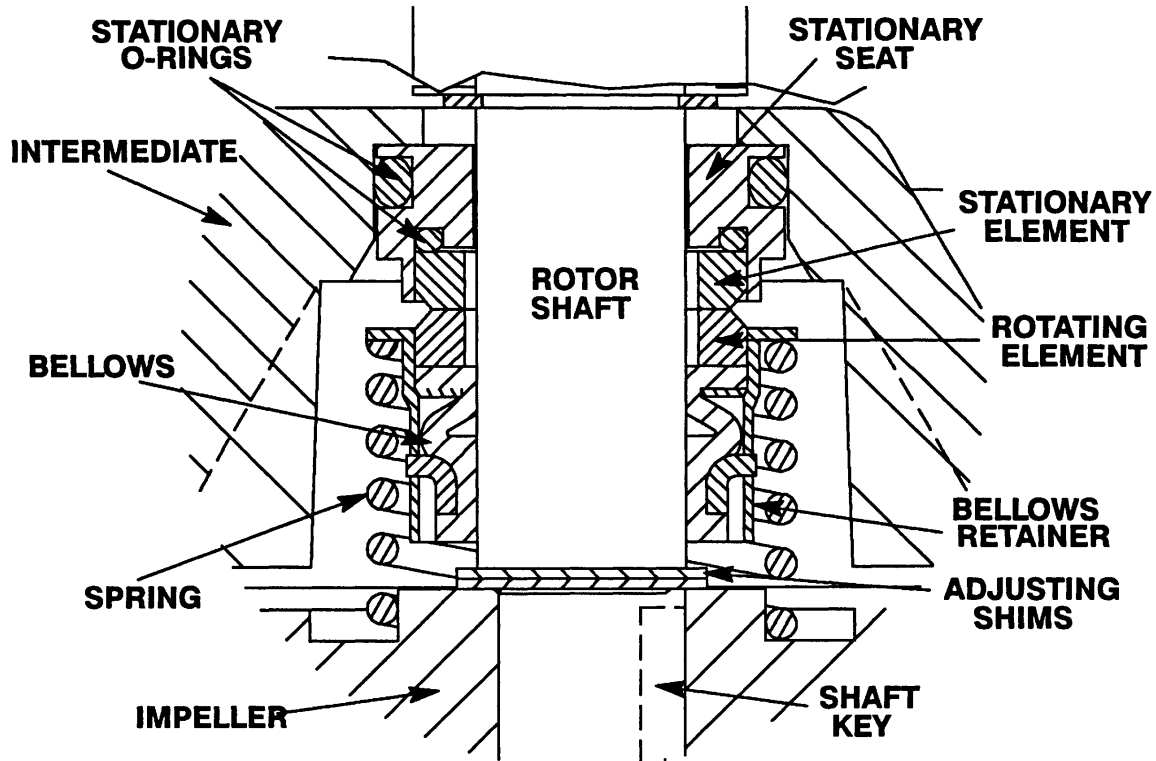


Figure 8. Lower Seal Assemblies 46512-036 And 46512-069



This seal is not designed for operation at temperatures above 160° F. Do not use at higher operating temperatures.

#### NOTE

When pressing seal components onto the impeller shaft, use hand pressure only. A push tube cut from a length of plastic pipe will aid in installing seal components. The I.D. of the push tube should be approximately the same size as the I.D. of the seal spring.

Unpack the stationary seal seat and element. Sub-assemble the element into the seat, and place a clean tissue over the seal face. Apply a light coat of oil to the seat O-ring, and use your fingers to press the seat and element into the bore. Apply equal pressure on opposite sides of the seat until the assembly bottoms against the bore shoulder. Remove the tissue and inspect the seal face to ensure that it

is clean and dry. If cleaning is necessary, use a clean tissue to wipe lightly in a concentric pattern.

Position the seat in the bore with the sealing face up and cover it with a clean tissue. Use your thumbs to press the seat into the bore. Apply equal pressure on opposite sides of the seat until it contacts the bore shoulder. Remove the tissue and check the sealing face to ensure that it is clean and dry. If cleaning is necessary, use clean tissue to wipe lightly in a concentric pattern.

Unpack the rotating portion of the seal. Be certain the sealing face of the rotating element is free of grit or surface damage. Place a small amount of grease at equal spaces on the back of the element, and assemble the drive grooves of the rotating element into the drive lugs of the bellows retainer. The grease should hold the element in position until the seal is installed.

Apply a light coating of oil to the seal seating surface on the shaft and I.D. of the bellows. Position the rotating seal portion on the shaft with the seal face down. Apply firm, steady pressure, with clean hands, on the seal retainer until it slides down the shaft and the seal faces contact.

Slide the seal spring over the shaft and bellows retainer. See Figure 8 for proper order of seal assembly.

### Impeller Installation

(Figures 1, 2 or 3)

Inspect the impeller for cracks, broken vanes, or wear from erosion, and replace it if damaged. Inspect the suction casing and replace it if defective.

Install the same thickness of impeller adjusting shims (30) as previously removed onto the rotor shaft. Install the impeller key (20) in the rotor shaft keyway, align the impeller keyway, and press the impeller onto the shaft until it seats firmly against the adjusting shims. **Be sure** the seal spring seats squarely over the shoulder on the back of the impeller.

Install the suction casing (1) with a new gasket (5). Secure the suction casing by tightening the hardware (18 and 19) in an alternating pattern.

For maximum pump efficiency, there should be a clearance of .003 to .010 inch (0,07 to 0,25 mm) between the impeller and the suction casing (1). Install the suction casing and gasket (5), and secure with the hardware (18 and 19). Use a feeler gauge to measure the clearance, then add or remove impeller adjusting shims as required.

### NOTE

*The impeller and suction casing must be fully seated to obtain an accurate face clearance measurement.*

After the impeller clearance has been set, coat the threads of the rotor shaft with 'Loctite Threadlocker No. 242' or equivalent compound. Install the impeller flat washer (23) and nut (21). Place a block of wood between the vanes of the impeller and one of the studs (17) to prevent shaft rotation, and torque the impeller nut to 20 ft. lbs. (240 in. lbs. or 2.8 m. kg.). Remove the wood block.

### Strainer Installation

(Figures 1, 2 or 3)

Inspect the strainer screen for cracks or broken welds. Straighten or reweld as required. Inspect the studs in the motor housing for stripped threads and other damage. Replace and retighten before reassembly.

Install the strainer screen (24) and secure it with the capscrews (22). Tighten the capscrews just enough to draw the strainer screen down tightly, but not tight enough to distort it.

See **LUBRICATION** and **FINAL ASSEMBLY** before putting the pump back into service.

### MOTOR DISASSEMBLY

Disassembly of the motor is rarely required except to replace the motor rotor, stator, bearings, or intermediate. Do not disassemble the motor unless it is necessary and a clean, well-equipped shop is available.

### NOTE

*It is recommended that a pump with a defective motor be returned to Gorman-Rupp, or to one of the Gorman-Rupp authorized Submersible Repair Centers.*



Motor repairs **must be** performed in accordance with MSHA specifications regarding the permissibility of this equipment. refer to **Installation**, page B-1.



**The electrical power used to operate this pump is high enough to cause injury or death. Make certain that the control handle on the control box is in the off position and locked out, or that the power supply to the control box has been otherwise cut off and locked out, before attempting to open or service the pump assembly. Tag electrical circuits to prevent accidental start-up.**



## WARNING!

**Do not remove the control box cover in an explosive atmosphere. When sealed, the control box is explosion proof to prevent the ignition of combustible gases. Opening the box in an explosive atmosphere could cause fire or explosion.**

Carefully inspect any O-rings or gaskets before removal and cleaning to determine if a proper seal and compression existed prior to disassembly. If sealing was faulty or questionable, the cause must be determined and corrected before reassembly. Replace any parts as required.

### Terminal Housing And Power Cable Removal And Disassembly

(Figures 4, 5 or 6)

Total disassembly of the terminal housing and power cable is not always required. Disassemble and replace **only** the parts proven defective by inspection or testing. See **Electrical Testing in TROUBLESHOOTING**.

The terminal housing and power cable may be serviced without disassembling the motor housing or pump end.



## WARNING!

**Do not remove the terminal housing in an explosive atmosphere. The terminal housing and its o-ring must remain intact to retain the permissibility of this equipment. Removing the housing in an explosive atmosphere could cause fire or explosion.**

To remove the terminal housing, disengage the hardware (8 and 9) securing the terminal housing (14) to the motor housing (21). Carefully pull the terminal housing from the motor housing until the connectors (18) are accessible. Cut or unwrap the tape from around the connectors, then remove the con-

nectors to disconnect the pump power cable leads from the motor leads.

Remove the O-ring (17) from the terminal housing. No further disassembly is required to test the stator or power cable.

To remove the power cable (10) and grip (12), disengage the hardware (16 and 17), and disconnect the green ground lead and the yellow ground check lead from the terminal housing. Cut or melt the hot-melt adhesive from around the power cable leads in the bottom of the grip body. Remove the setscrew (13) which locks the cable grip body in place in the terminal housing. Cut and remove the seal wire (30) which retains the cable grip (12) to the terminal housing. Unscrew the cable and grip as an assembly from the terminal housing.

To remove the cable grip assembly from the power cable, remove the hose clamp (11), and unscrew the grip nut from the cable grip body. Pull the cable, cable grip mesh, and rubber grommet from the grip body.

Apply oil to the cable O.D., and work it up under the grommet. Slide the grommet off the cable. Compress the wire mesh of the cable grip, and slide the mesh and grip nut off the cable.

### Shaft And Rotor Removal

(Figures 4, 5 or 6)

See **PUMP END DISASSEMBLY**, and remove all pump end and seal components (including the intermediate, rotor and shaft assembly).

With the pump end disassembled and the terminal housing removed, secure the pump in an inverted position. To facilitate disassembly, disengage the hardware (27, 28 and 29, Figures 1, 2 or 3), and remove the handle from the motor housing.

After removing the shaft and bearings, clean and inspect the bearings **in place** as follows.



## CAUTION

To prevent damage during removal from the shaft, it is recommended that bearings be cleaned and inspected **in place**. It is **strongly** recommended that the bearings



be replaced **any** time the shaft and rotor assembly is removed.

Clean the bearings thoroughly in **fresh** cleaning solvent. Dry the bearings with filtered compressed air and coat with light oil.



## WARNING!

**Most cleaning solvents are toxic and flammable. Use them only in a well-ventilated area free from excessive heat, sparks, and flame. Read and follow all precautions printed on solvent containers.**

Rotate the bearings by hand to check for roughness or binding. If rotation is rough, replace the bearings.



## CAUTION

These bearings are permanently sealed and require no additional lubrication except a coating of light oil on external surfaces to ease reassembly. External surfaces must be kept free of all dirt and foreign material. Failure to do so could damage the bearings or their mating surfaces.

The bearing tolerances provide a tight press fit onto the shaft and a snug slip fit into the motor housing and intermediate. Replace the shaft and rotor (as an assembly), the intermediate, or the motor housing if the proper bearing fit is not achieved.

If the bearings require replacement, use a suitable puller to remove them from the shaft.

Remove the wavy spring washer (19) and motor bushing (4).

### Stator Removal

(Figures 4, 5 or 6)

Do not remove the stator (5) unless it is defective (open windings, insulation resistance low, or stator core damaged). If the stator must be removed, re-

move the terminal housing as indicated in **Terminal Housing And Power Cable Disassembly**. Disengage the hardware (33 and 34), and remove the lock clip (32). Remove the pipe plug (23) and setscrew (22).

Position an expandable tool, such as a split disc, approximately 2 inches down inside the stator, and expand it tightly and squarely on the I.D. Attach a lifting device to the lifting eye of the tool, and raise the assembly approximately one inch off the work surface. Take care not to damage the stator end turns. Use a soft-faced mallet to rap alternate edges of the motor housing and "walk" the stator out. Continue this process until the stator clears the motor housing.

### NOTE

*It may be necessary to heat the motor housing to permit stator removal.*

After the stator has been removed, wrap it in clean, dry rags or other suitable material. The stator **must** be kept clean and dry. When handling the stator, **do not** set it on the end windings; lay it on its side.



## CAUTION

Do not attempt to rewind the stator. Winding tolerances and materials are closely controlled by the manufacturer, and any deviation can cause damage or operating problems. Replace the stator, or return it to one of the Gorman-Rupp authorized submersible repair centers or the gorman-rupp factory, if defective.

### MOTOR REASSEMBLY

### NOTE

*Reuse of old O-rings, gaskets, shaft seal parts may result in premature leakage or reduce pump performance. It is strongly recommended that new gaskets and shaft seal assemblies be used during reassembly (see the parts lists for numbers).*

## Stator Installation

(Figures 4, 5 or 6)

Clean all gasket and O-ring surfaces, completely removing any old gasket and cement material. Inspect the sealing surfaces for burrs, nicks and pits which could cause a poor seal, and replace defective parts as required.

Thoroughly clean the inside of the motor housing (25) with fresh solvent. The interior **must** be dry and free of dirt or lint.



**Most cleaning solvents are toxic and flammable. Use them only in a well-ventilated area free from excessive heat, sparks, and flame. Read and follow all precautions printed on solvent containers.**

Do not unpack the stator until the motor housing has been prepared for stator installation. The stator **must** be kept clean and dry. When handling the stator, do not set it on the end windings. Lay it on its side and block it from rolling.

Test the new stator as indicated in **Electrical Testing** in **TROUBLESHOOTING**, Section D, to ensure that no damage has occurred during transit or handling.

Position an expandable tool, such as a split disc, approximately 2 inches down inside the stator, and expand it tightly and squarely on the I.D. Attach a lifting device to the lifting eye of the tool, and carefully lift the assembly. Take care not to damage the stator end turns. Slip a sleeve over the stator leads, or tape them together to protect them during installation.

With the motor housing in an inverted position, position the stator so that the leads are in line with the terminal opening, and carefully lower the stator into the motor housing until it bottoms. If the stator "cocks" in the motor housing, remove it and try again. If necessary, heat the motor housing with a torch to expand it enough for the stator to be installed; when heating the motor housing, make certain that the stator is clear to avoid damage to the windings. Apply heat evenly to the inside of the motor housing; excessive

heat is not required. Be careful not to damage the stator lead insulation during reassembly.

After the stator is fully and squarely seated on the motor housing shoulder, remove the expandable disc tool and untape or remove the protective sleeve from the stator leads. Install and tighten the setscrew (22) securing the stator in place. Torque the setscrew to 7.5 ft. lbs. (90 in. lbs. or 1 m. kg.). Apply 'Loctite Pipe Sealant With Teflon No. 592' on the threads of the pipe plug (23), and install it over the setscrew. Secure the pipe plug with the lock clip (32) and hardware (33 and 34).

Cover the motor housing with a clean, lint-free cloth while the rotor is being assembled.

## Shaft And Rotor Installation

(Figures 4, 5 or 6)

Inspect the rotor shaft for damaged threads, scoring in the seal area, and a nicked or damaged keyway. If the bearings were removed, inspect the bearing areas for scoring or galling. Remove nicks and burrs with a fine file or emery cloth. Inspect the rotor area for separated laminations. If the shaft is bent or damaged, or if the laminations are separated, replace the shaft and rotor (a single assembly).



To prevent damage during removal from the shaft, it is recommended that bearings be cleaned and inspected **in place**. It is **strongly** recommended that the bearings be replaced **any** time the shaft and rotor assembly is removed.

The bearings may be heated to ease installation. An induction heater, hot oil bath, electric oven, or hot plate may be used to heat the bearings. Bearings should **never** be heated with a direct flame or directly on a hot plate.

## NOTE

*If a hot oil bath is used to heat the bearings, both the oil and the container must be **absolutely** clean. If the oil has been previously used, it must be **thoroughly** filtered.*

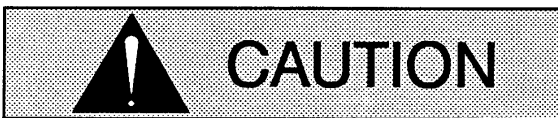
Heat the bearings to a uniform temperature no higher than 250°F (120°C), and slide the bearings onto the shaft, one at a time, until they are fully seated. This should be done quickly, in one continuous motion, to prevent the bearings from cooling and sticking on the shaft.



**Use caution when handling hot bearings to prevent burns.**

After the bearings have been installed and allowed to cool, check to ensure that they have not moved away from the shaft shoulders in shrinking. If movement has occurred, use a suitable sized sleeve and a press to reposition the bearings against the shaft shoulders.

If heating the bearings is not practical, use a suitable sized sleeve, and an arbor (or hydraulic) press to install the bearings on the shaft.



When installing the bearings onto the shaft, **never** press or hit against the outer race, balls, or ball cage. Press **only** on the inner race.

Install the wavy spring washer (23) in the bottom of the motor housing bearing bore. Carefully lower the rotor and shaft and assembled bearings into the motor housing until the upper bearing (20) seats squarely against the wavy washer.

Refer to **Upper Seal Installation in PUMP END REASSEMBLY** for installation of the intermediate and upper seal assembly.

#### Terminal Housing And Power Cable Reassembly And Installation

(Figures 4, 5 or 6)



**The electrical power used to operate**

**this pump is high enough to cause injury or death. Make certain that the control handle on the control box is in the off position and locked out, or that the power supply to the control box has been otherwise cut off and locked out, before attempting to open or service the pump assembly. Tag electrical circuits to prevent accidental startup. Obtain the services of a qualified electrician, and refer to the wiring diagram(s) in installation, Section B, to make electrical connections.**

Clean the exterior of the power cable with warm water and mild detergent, and check for obvious physical damage. Check the cable for continuity and insulation resistance (see **Electrical Testing in TROUBLESHOOTING**). **Do not** attempt repairs except to cut off either end of the cable; **splicing is not recommended**. Reinstall any wire tags or terminals which may have been removed.



**Never attempt to alter the length or repair any power cable with a splice. The pump motor and cable must be completely waterproof. Injury or death may result from alterations.**

Use oil to lightly lubricate the outside of the pump power cable (10) and the I.D. of the rubber cable grip bushing for ease of assembly. Slide the cable grip nut onto the cable. Compress the wire mesh on the cable grip, and slide it onto the cable, allowing approximately 1 ft. of cable to extend beyond the mesh. Slide the rubber cable grip bushing and cable grip body onto the cable. Apply 'Loctite Pipe Sealant With Teflon No. 592' or equivalent compound on the tapered pipe threads of the cable grip body.

Feed the pump power cable leads into the terminal housing (14), and screw the cable grip body into the threaded housing bore until tight. Slide the cable grip bushing down the power cable into the tapered top of the grip body. **Be sure** there is sufficient cable lead length to permit wire connection, and that the trimmed end of the outer cable insulation is re-

cessed approximately 1/8 inch (3.2 mm) in the bottom of the grip body. This creates a reservoir in the bottom of the cable grip into which the power cable sealant can be applied.

Compress the wire mesh, and slide it down the cable until it seats on top of the rubber bushing. Tighten the cable grip nut on the cable body.

Connect the green ground lead and the yellow ground check lead to the terminal housing and secure them with the hardware (16 and 17). These two wires **must** be connected to separate points in the terminal housing. Make sure each terminal makes good contact with the housing.

The cable leads **must** be sealed in the cable grip body to prevent moisture from entering the motor. When shipped from the factory, the power cable leads were sealed in the cable grip body and terminal housing with hot-melt adhesive. If a replacement cable is being installed, the power cable must be resealed in the terminal housing.



**Do not attempt to operate this pump unless the power cable leads are properly sealed in the terminal housing. Moisture entering the terminal housing could cause a short circuit, resulting in pump damage and possible serious injury or death to personnel.**

To seal the power cable leads, hold the terminal housing upside-down, and use a hot-melt adhesive tool (Terlan model TM-80, or equivalent) set at 450°F (232°C) to apply the adhesive (G-R part number 18661-044) around the power cable leads. The area under the cable grip body **must be completely filled**, and the power cable leads **totally sealed** against moisture. Allow the adhesive to cool before securing the terminal housing to the motor housing.

Install a new O-ring (15) on the terminal housing. Refer to the wiring diagram in **INSTALLATION**, Section B, then connect the correct power cable leads to the stator leads with the connectors (18). **Be sure** the orange and blue cable leads are connected to the red coded (thermal overload) stator leads. After installing the connectors, wrap each connection with un-

derwater tape (G-R part number 18666-068) to seal it and prevent the connector from working loose. Start the tape between the connectors and double back, then stretch the tape and wrap it around all of the leads and connectors.

Install the terminal housing in the motor housing, and secure with the hardware (8 and 9). Be careful not to cut or damage the O-ring (15). Tighten the capscrews evenly and alternately around the terminal housing, and torque them to 11 ft. lbs. (132 in. lbs. or 1.5 m. kg.).



**The cable grip must be retained to the terminal housing as follows to retain permissibility for this equipment. Failure to seal the parts as specified may result in explosion.**

**Make sure** the cable grip body is tight in the terminal housing, and secure it to the terminal housing as follows (see Figure 9).

- a. There are two tapped holes in the terminal housing located 90° apart. One hole will be used for installing the long locking setscrew (13); the other will be plugged with the short setscrew (29). Apply 'Loctite Pipe Sealant With Teflon No. 592' to **both** setscrews before installation.

**Make sure** the cable grip body is tight in the terminal housing. Note the location of the tapped hole which is blocked by the hex body. Unscrew the hex body until the hole is clear, and install the small setscrew (29).

Retighten the cable grip body, and install the longer setscrew (13) which locks the body in place.

- b. Drill a 1/16 inch (1.6 mm) diameter hole (B) in the cable grip body approximately 45\_ counter-clockwise from hole A in the terminal housing. If the old cable grip is being reused, the existing hole may be reused if it is in the correct location.
- c. Insert the seal wire (30) through hole B and equalize the wire length. Twist the wire ends approximately 10 turns and insert one end of the

wire through hole A. Draw tight and twist the wire ends approximately 10 turns.

### KNURLED AND RIBBED TYPE CABLE GRIP INSTALLATION

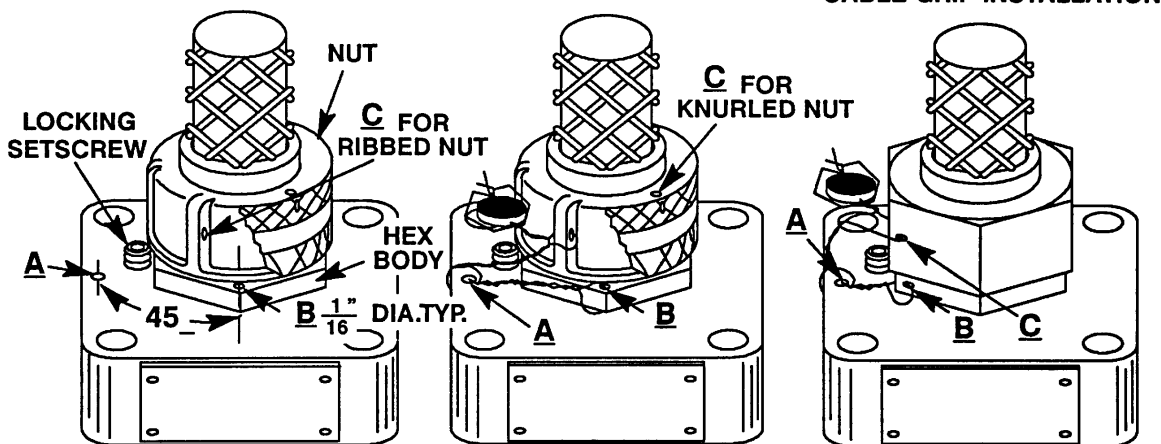


Figure 9. Safety Seal Installation

- d. **Make sure** the cable grip nut is tight. Drill a 1/16 inch (1.6 mm) diameter hole (C) through the flange on the cable grip adjacent to hole B in the hex body.
- e. Insert one end of the twisted wire through hole C and draw tight. Twist the ends two turns and push them through the lead seal (31).
- f. Wrap the ends of the wires once around the twisted length from A to C from opposite directions, and push the wire ends through the lead seal again. Clamp the seal to secure the wire ends.

### FINAL ASSEMBLY

(Figures 1, 2 or 3)

If the discharge flange (15) was removed from the motor housing, replace the discharge flange gasket (14). Apply 'Never-Seez' or equivalent compound on the flange studs, and torque the nuts (16) to 11 ft. lbs. (132 in. lbs. or 1.5 m. kg.).

Connect the discharge hose, and reposition the pump. If rigid piping or long hose is used, reposition the pump then connect the piping.

### LUBRICATION

#### Seal Cavity

Check the oil level in the seal cavity before initial startup, after the first two weeks of operation, and every month thereafter.



**Check the oil level only when the pump is cool. If the oil level plug is removed when the pump is hot, pressure in the seal cavity can cause hot oil to be ejected as the plug is removed.**

To check the seal cavity oil, lay the pump on its side with the level plug up. Remove the plug, and screw a short 1/4 inch NPT nipple into the hole. Plug the open end of the nipple with your finger. Tip the pump upright, drain off a small amount of oil into a transparent cup, and lay the pump on its side again. If the oil level is abnormally low, or the color milky or dark, refer to **Draining Oil From Seal Cavity** in this section for instructions and troubleshooting tips. If the oil is clear, remove the nipple, top off the seal cavity with oil, and reinstall the level plug.

When lubricating a dry (overhauled) pump, add approximately 1 US pint (0.47 liter) of lubricant (see Table 1 for lubricant specifications).

The grade of lubricant used is critical to the operation of this pump. Use uninhibited transformer oil as specified in the following table.

Table 1. Pump Oil Specifications

<b>Specifications</b>	
Type .....	Uninhibited Transformer Oil
Neutralization .....	0.01
Dielectric .....	26,000 (min)
Pour point .....	-55°F
<b>Typical products and suppliers</b>	
Gulf Oil Company .....	Transcrest H
Texas Oil Company .....	Texaco 55
Sun Oil Company .....	Sunoco D Transformer Oil
Westinghouse Electric Company .....	WEMCO C-2772
General Electric Company .....	Transil 10C

**Motor Bearings**

The motor bearings are permanently sealed, and no additional lubrication is required.

**For U.S. and International Warranty Information,  
Please Visit [www.grpumps.com/warranty](http://www.grpumps.com/warranty)  
or call:  
U.S.: 419-755-1280  
International: +1-419-755-1352**

**For Canadian Warranty Information,  
Please Visit [www.grcanada.com/warranty](http://www.grcanada.com/warranty)  
or call:  
519-631-2870**