

Use With: OM-03989  
MR-03991

PUBLICATION NUMBER PL-04003-04  
June 16, 1999  
Rev. B 08/17/07



**PUMP MODEL**  
**RS3A32-BAR**

**MANUAL**  
**PART 2 of 3**

**PARTS**  
**LIST**  
**WITH**  
**PERFORMANCE CURVE**

**THE GORMAN-RUPP COMPANY • MANSFIELD, OHIO**

[www.grpumps.com](http://www.grpumps.com)

**GORMAN-RUPP OF CANADA LIMITED • ST. THOMAS, ONTARIO, CANADA** Printed in U.S.A.

© Copyright by the Gorman-Rupp Company

Register your new  
Gorman-Rupp pump online at  
**[www.grpumps.com](http://www.grpumps.com)**

Valid serial number and e-mail address required.

**RECORD YOUR PUMP MODEL AND SERIAL NUMBER**

Please record your pump model and serial number in the spaces provided below. Your Gorman-Rupp distributor needs this information when you require parts or service.

Pump Model: \_\_\_\_\_

Serial Number: \_\_\_\_\_

## PERFORMANCE CURVE – SECTION A

### RECORDING MODEL AND SERIAL NUMBERS

Please record the pump model and serial number in the spaces provided below and in the separate Installation/Operation Manual accompanying your pump. Your Gorman-Rupp distributor needs this information when you require parts or service.

Pump Model: \_\_\_\_\_

Serial Number: \_\_\_\_\_

### WARRANTY INFORMATION

The pump warranty is provided as part of Gorman-Rupp's support program for customers who operate and maintain their equipment as described in this manual and other accompanying literature. Please note that should the equipment be abused or modified to change its performance beyond the original factory specifications, the warranty will become void and any claim will be denied.

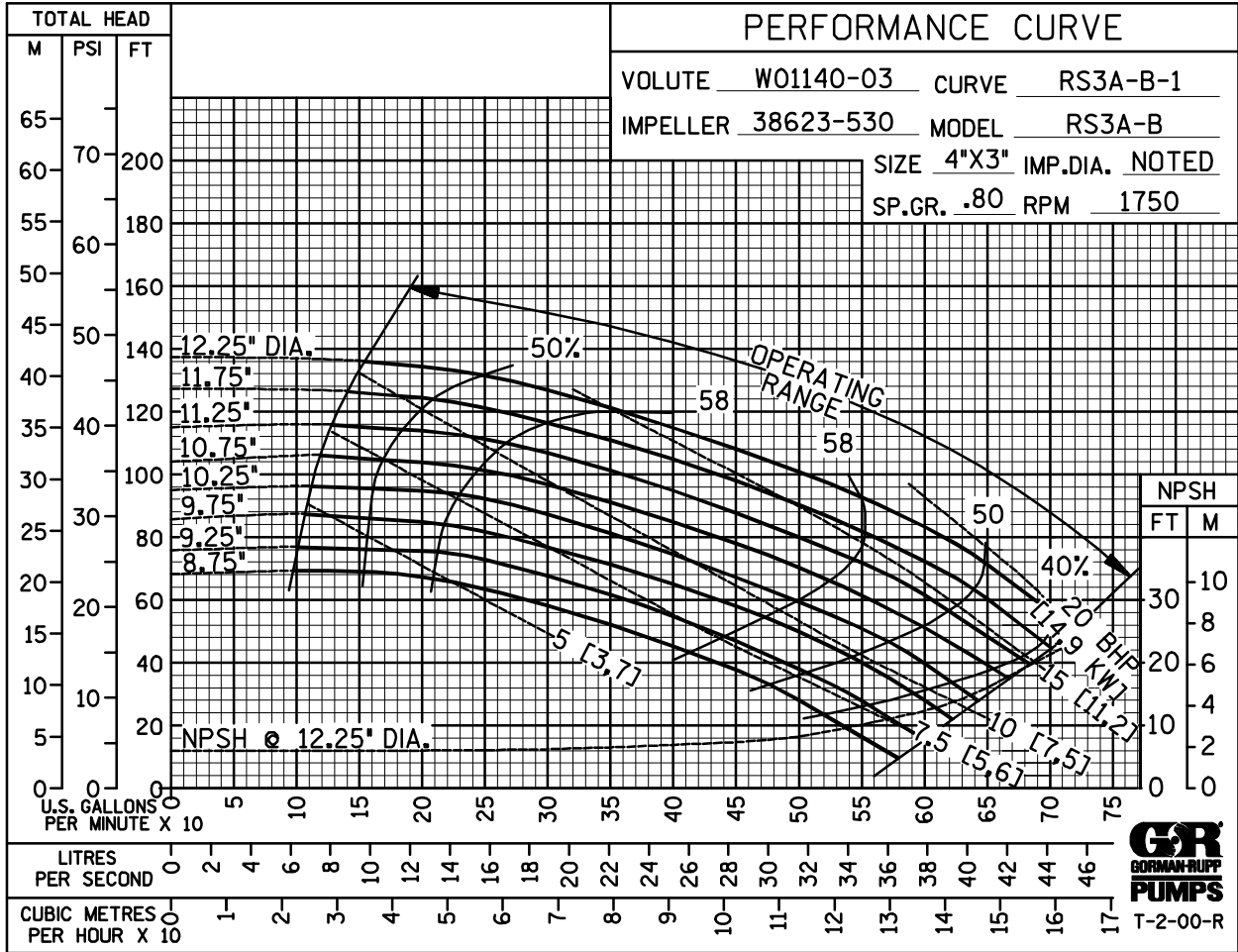
### PERFORMANCE CURVE

The performance curve on the following page is based on 70° F (21° C) clear water at sea level, corrected to 0.80 specific gravity, with minimum suction lift. Since pump installations are seldom identical, your performance may be different due to such factors as viscosity, specific gravity, elevation, temperature, and impeller trim.

If your pump serial number is followed by an "N", your pump is **NOT** a standard production model. Contact the Gorman-Rupp Company to verify performance or part numbers.

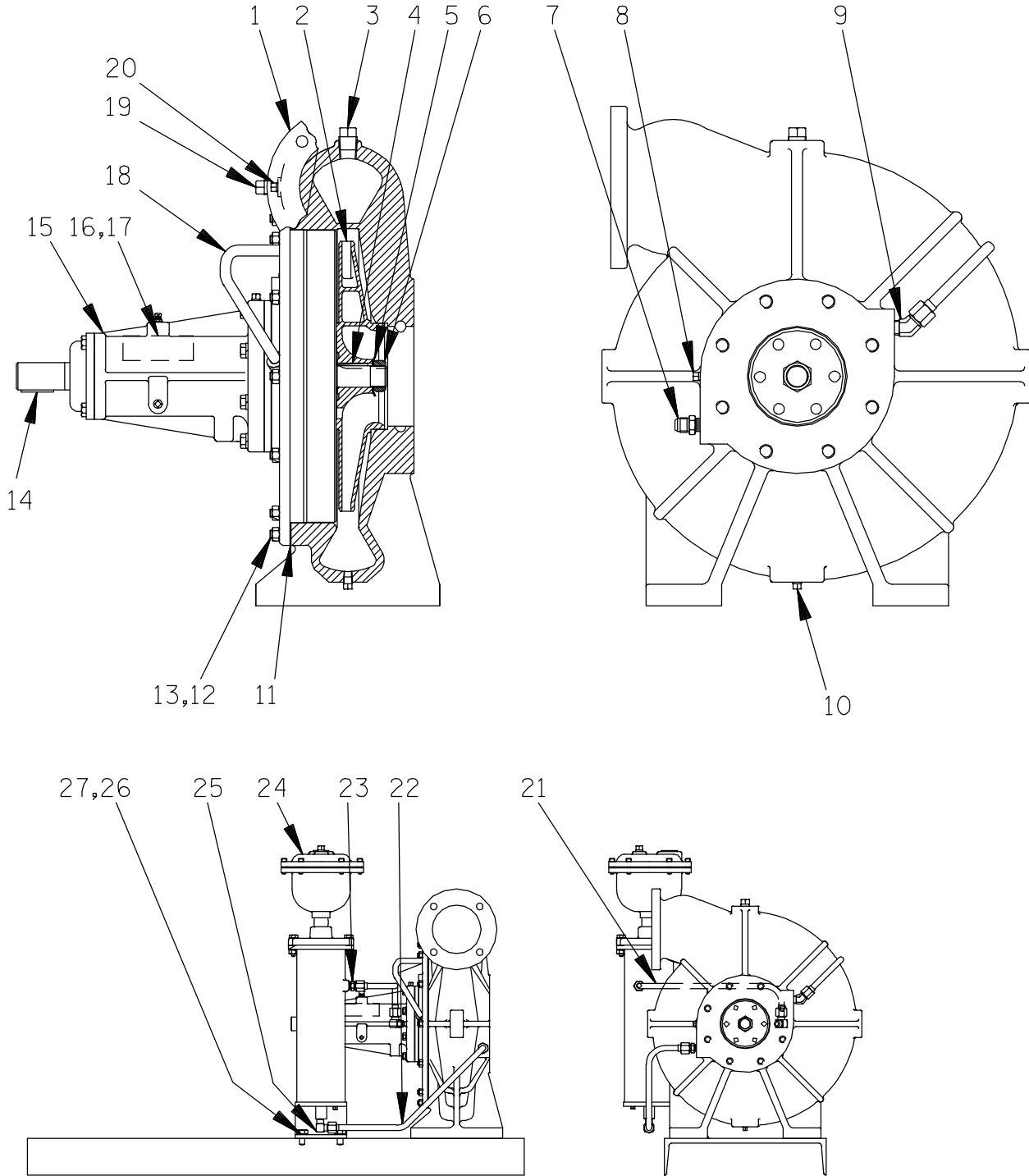


Pump speed and operating condition points must be within the continuous performance range shown on the curve(s).



Performance Curve – Model RS3A32-BAR

**This Page Intentionally Blank**



**S/N 1198336N Up  
PUMP ISSUE 4**

**PARTS LIST  
Pump Model RS3A32—BAR**

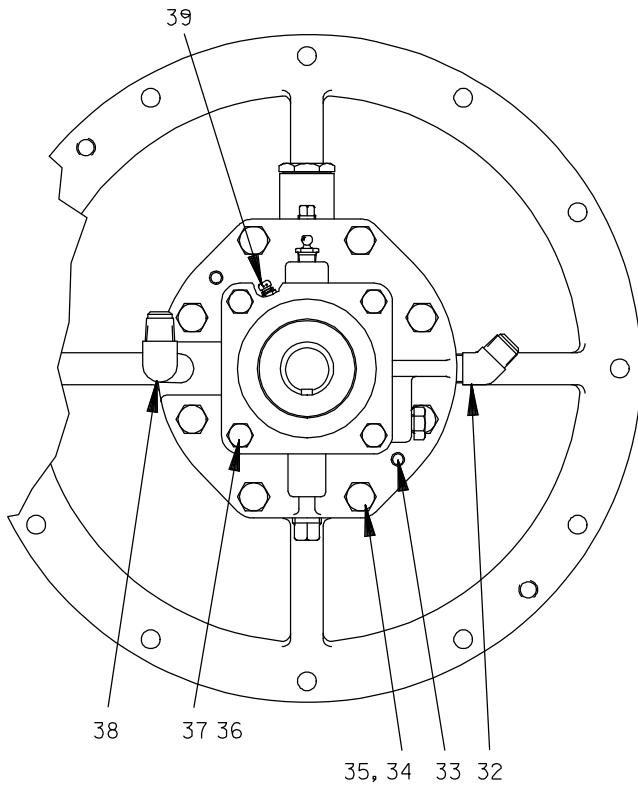
If your pump serial number is followed by an "N", your pump is **NOT** a standard production model. Contact the Gorman-Rupp Company to verify part numbers.

ITEM NO.	PART NAME	PART NUMBER	MAT'L CODE	QTY	ITEM NO.	PART NAME	PART NUMBER	MAT'L CODE	QTY
1	PUMP CASING	W01140-03	10140	1	22	RETURN TUBE ASSY	46335-075	----	1
2 *	IMPELLER	38623-530	13048	1	23	MALE CONNECTOR	25812-214	----	1
3	PIPE PLUG	P08	15079	1	24 ●	AIR RELEASE VALVE	GRP33-06B	----	1
4 *	IMPELLER KEY	K79329-23	15990	1	25	MALE ELBOW	25812-011	----	1
5	BRG LOCKWASHER	23962-506	----	1	26	HEX HD CAPSCREW	B0805	15991	2
6	IMPELLER NUT	K75776	15111	1	27	LOCKWASHER	J08	15991	2
7	MALE CONNECTOR	25812-214	----	1	NOT SHOWN:				
8	PIPE PLUG	P02	15079	1	* SUCT FLANGE GASKET	N14147	18000	----	1
9	MALE ELBOW	25812-161	----	1	* DISCH FLANGE GASKET	11589GA	18000	----	1
10	PIPE PLUG	P02	15079	1	SUCTION STICKER	6588AG	----	----	1
11 *	PUMP CASING GASKET	N14146	20000	1	ROTATION DECAL	2613M	----	----	1
12	STUD	C0606	15991	12	LUBE DECAL	38816-081	----	----	1
13	HEX NUT	D06	15991	12	INSTRUCTION TAG	38817-011	----	----	1
14 *	SHAFT KEY	N0406	15990	1	DISCHARGE STICKER	6588BJ	----	----	1
15	BRG HOUSING ASSY	R12051-011	----	1	GR DECAL	GR-03	----	----	1
16	NAME PLATE	2613DZ	13990	1	BEARIBG TAG	6588ABB	----	----	1
17	DRIVE SCREW	BM#04-03	17000	2	OPTIONAL:				
18	PRIMING TUBE ASSY	46335-085	----	1	COMPANION FLANGES (SUCTION AND DISCHARGE				
19	PIPE PLUG	P06	15079	1	-COMPANION FLG KIT	K33850	----	----	1
20	PIPE PLUG	P02	15079	1	STEEL TUBING KIT	48263-508	----	----	1
21	DISCHARGE TUBE ASSY	46335-074	----	1					

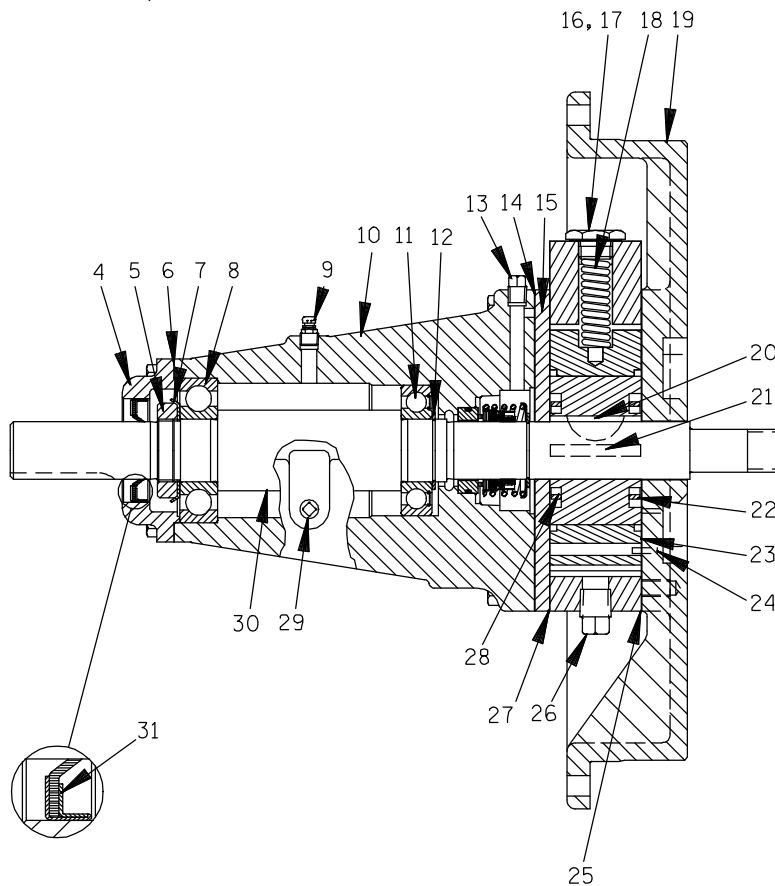
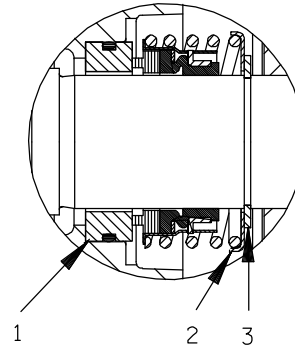
\* INDICATES PARTS RECOMMENDED FOR STOCK

† ALL ROTO-PRIME<sup>®</sup> IMPELLERS ARE TRIMMED.

● SEE ACCOMPANYING LITERATURE FOR INDIVIDUAL PARTS, MAINTENANCE AND REPAIR.



SEAL AREA DETAIL





S/N 1198336N Up  
PUMP ISSUE 4

**PARTS LIST**  
**R12051—11 Bearing Housing Assembly**

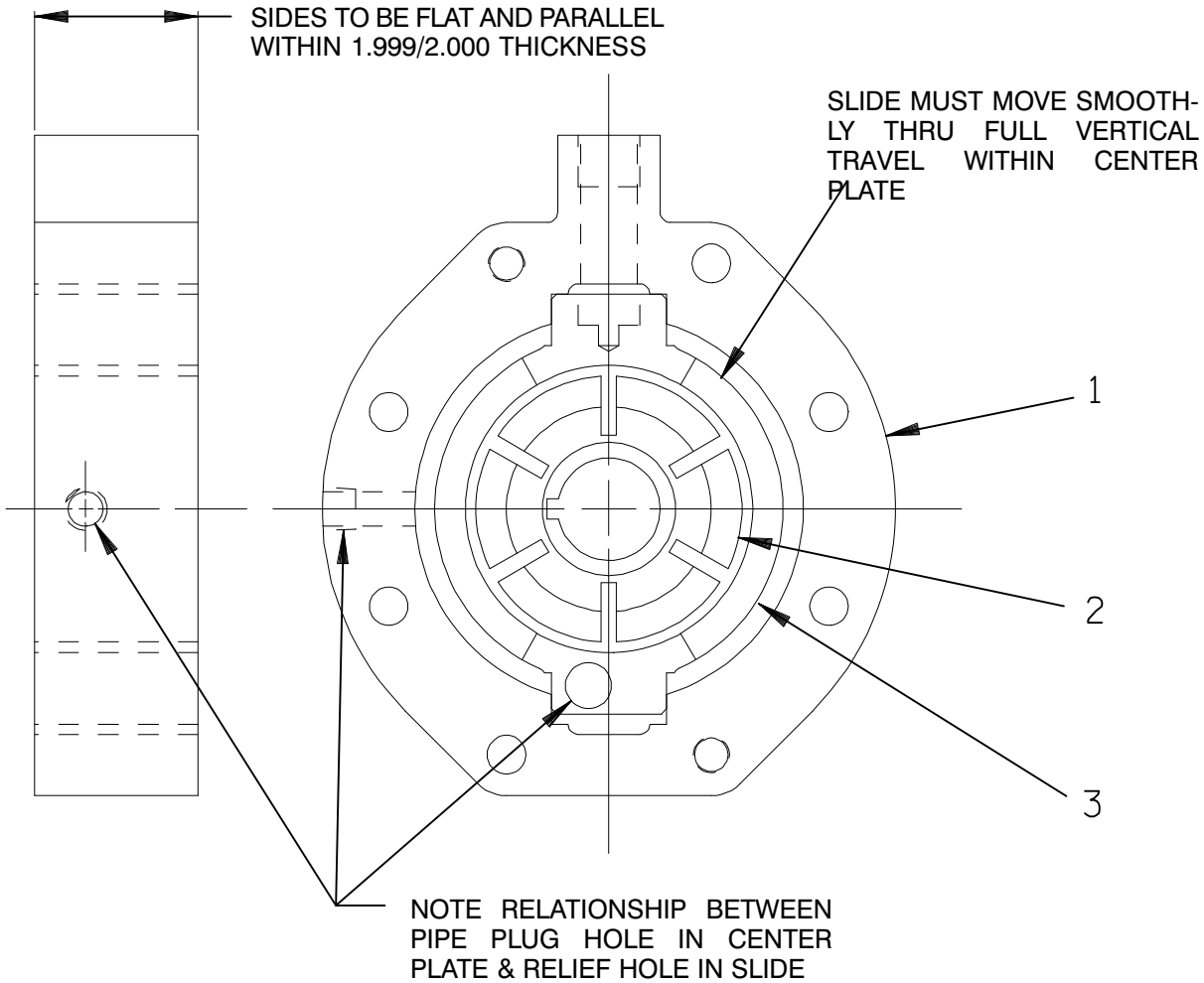
ITEM NO.	PART NAME	PART NUMBER	MAT'L CODE	QTY	ITEM NO.	PART NAME	PART NUMBER	MAT'L CODE	QTY
1 *	SEAL ASSEMBLY	25271—192	----	1	25 †	CENTER PLATE GASKET	N14145	18010	2
2	SPRING HOLDER	25273—266	----	1	26	PIPE PLUG	P06	15079	1
3	SEAL SNAP RING	S700	----	1	27 *	CENTER PLATE GASKET	N14145	18010	1
4	BEARING CAP	N14130	10010	1	28	ROTOR BLADE SPACER	K74031	15030	1
5	BEARING LOCK NUT	S301	----	1	29	PIPE PLUG	P02	15079	1
6 *	BEARING CAP GASKET	K74033	18000	1	30 *	IMPELLER SHAFT	R10123	15010	1
7	TAB WASHER	S302	----	1	31 *	OIL SEAL	25227—230	----	1
8 *	OUTBOARD BEARING	23282—008	----	1	32	MALE ELBOW	25812—161	----	1
9	AIR VENT	S2162	----	1	33	DOWEL PIN	21133—076	----	2
10	BEARING HOUSING	T02990	11010	1	34	HEX HD CAPSCREW	B0615	15991	8
11 *	BALL BEARING	23257—012	----	1	35	LOCKWASHER	J06	15991	8
12	BEARING RET RING	S248	----	1	36	HEX HD CAPSCREW	B0504	15991	4
13	PIPE PLUG	P02	15079	1	37	LOCKWASHER	J05	15991	4
14 *	SPACER PLATE GASKET	N14144	18000	1	38	MALE ELBOW	25812—011	----	1
15	SPACER PLATE	N14129	11010	1	39	AIR VENT	S2162	----	1
16	PRESS REG SPRING CAP	K68064	15991	1	OPTIONAL:				
17 *	SPRING CAP GASKET	K86067	----	1	**	PRESS REG SPRING	K74119	----	1
18 *	PRESS REG SPRING	K74120	----	1		SST IMPELLER SHAFT	R10769	17080	1
19	BODY COVER	T02985B—01	10140	1		TEFLON SEAL ASSY	25271—743	----	1
20 *	ROTOR WOODRUFF KEY	K74041	15990	1	●	OIL LUBE BEARING	44143—104	----	1
21 *	ROTOR BLADE	K79300—21	----	6		HOUSING ASSEMBLY			
22	ROTOR BLADE SPACER	K74031	15030	1	--	INBOARD BEARING	S310	----	1
23	GROUP GRIND	LK05293	----	1	--	OUTBOARD BEARING	23275—008	----	1
24 *	LOCATING PIN	21154—666	----	1	--	OIL CUP	26713—051	----	1

\* INDICATES PARTS RECOMMENDED FOR STOCK

† 2 GASKETS REQUIRED WHEN ROTOR OR SLIDE IS THICKER THAN CENTER PLATE.

● ALL OTHER COMPONENTS SAME AS STANDARD BEARING HOUSING ASSEMBLY.

\*\* USE IN PLACE OF K74120 (ITEM 18) WITH IMPELLERS 10 1/2 INCHES OR SMALLER IN DIAMETER.



**PARTS LIST**  
**LK05293 Group Grind**

ITEM NO.	PART NAME	PART NUMBER	MAT'L CODE	QTY
1	CENTER PLATE	NOT AVAILABLE	-----	1
2	ROTOR	NOT AVAILABLE	-----	1
3	SLIDE	NOT AVAILABLE	-----	1

**NOTE:** THE GROUP GRIND MUST BE REPLACED AS A COMPLETE UNIT: INDIVIDUAL PIECE PARTS ARE NOT SOLD SEPARATELY.

**THE GORMAN-RUPP COMPANY • MANSFIELD, OHIO**

GORMAN-RUPP OF CANADA LIMITED • ST. THOMAS, ONTARIO, CANADA

Printed in U.S.A.

**For U.S. and International Warranty Information,  
Please Visit [www.grpumps.com/warranty](http://www.grpumps.com/warranty)  
or call:  
U.S.: 419-755-1280  
International: +1-419-755-1352**

**For Canadian Warranty Information,  
Please Visit [www.grcanada.com/warranty](http://www.grcanada.com/warranty)  
or call:  
519-631-2870**