



PUMP MODEL RS5A32-B

**MANUAL
PART 2 of 3**

**PARTS
LIST
WITH
PERFORMANCE CURVE**

GORMAN-RUPP PUMPS

www.grpumps.com

Register your new
Gorman-Rupp pump online at
www.grpumps.com

Valid serial number and e-mail address required.

RECORD YOUR PUMP MODEL AND SERIAL NUMBER

Please record your pump model and serial number in the spaces provided below. Your Gorman-Rupp distributor needs this information when you require parts or service.

Pump Model: _____

Serial Number: _____

PERFORMANCE CURVE - SECTION A

RECORDING MODEL AND SERIAL NUMBERS

Please record the pump model and serial number in the spaces provided below and in the separate Installation/Operation Manual accompanying your pump. Your Gorman-Rupp distributor needs this information when you require parts or service.

Pump Model: _____

Serial Number: _____

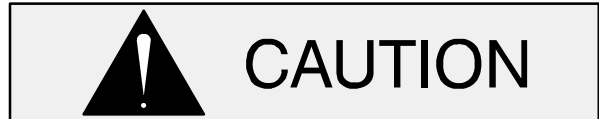
WARRANTY INFORMATION

The pump warranty is provided as part of Gorman-Rupp's support program for customers who operate and maintain their equipment as described in this manual and other accompanying literature. Please note that should the equipment be abused or modified to change its performance beyond the original factory specifications, the warranty will become void and any claim will be denied.

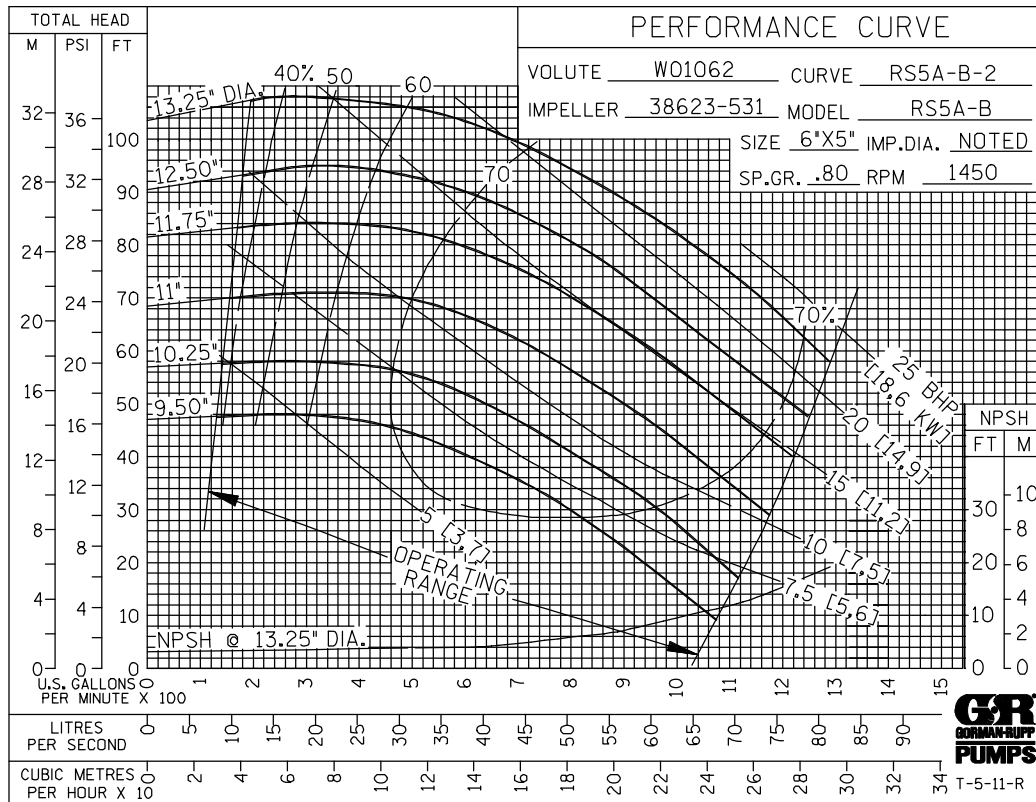
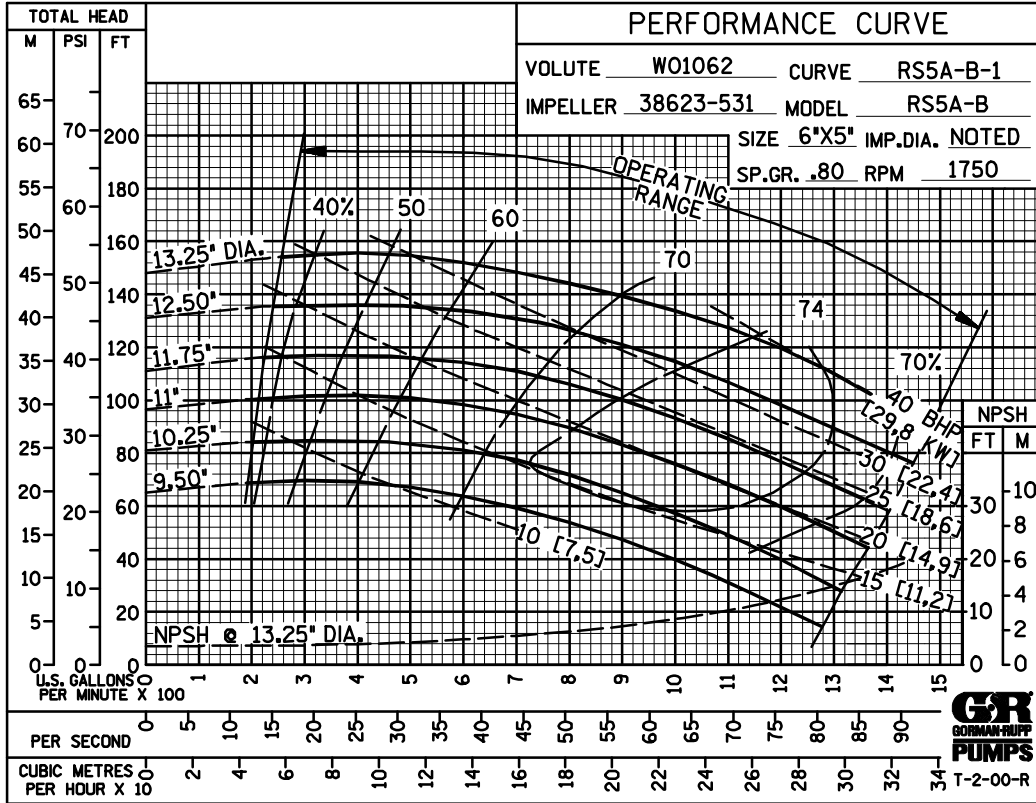
PERFORMANCE CURVES

The performance curves on the following page are based on 70°F (21°C) clear water at sea level, corrected to 0.80 specific gravity, with minimum suction lift. Since pump installations are seldom identical, your performance may be different due to such factors as viscosity, specific gravity, elevation, temperature, and impeller trim.

If your pump serial number is followed by an "N", your pump is **NOT** a standard production model. Contact the Gorman-Rupp Company to verify performance or part numbers.



Pump speed and operating condition points must be within the continuous performance range shown on the curve(s).

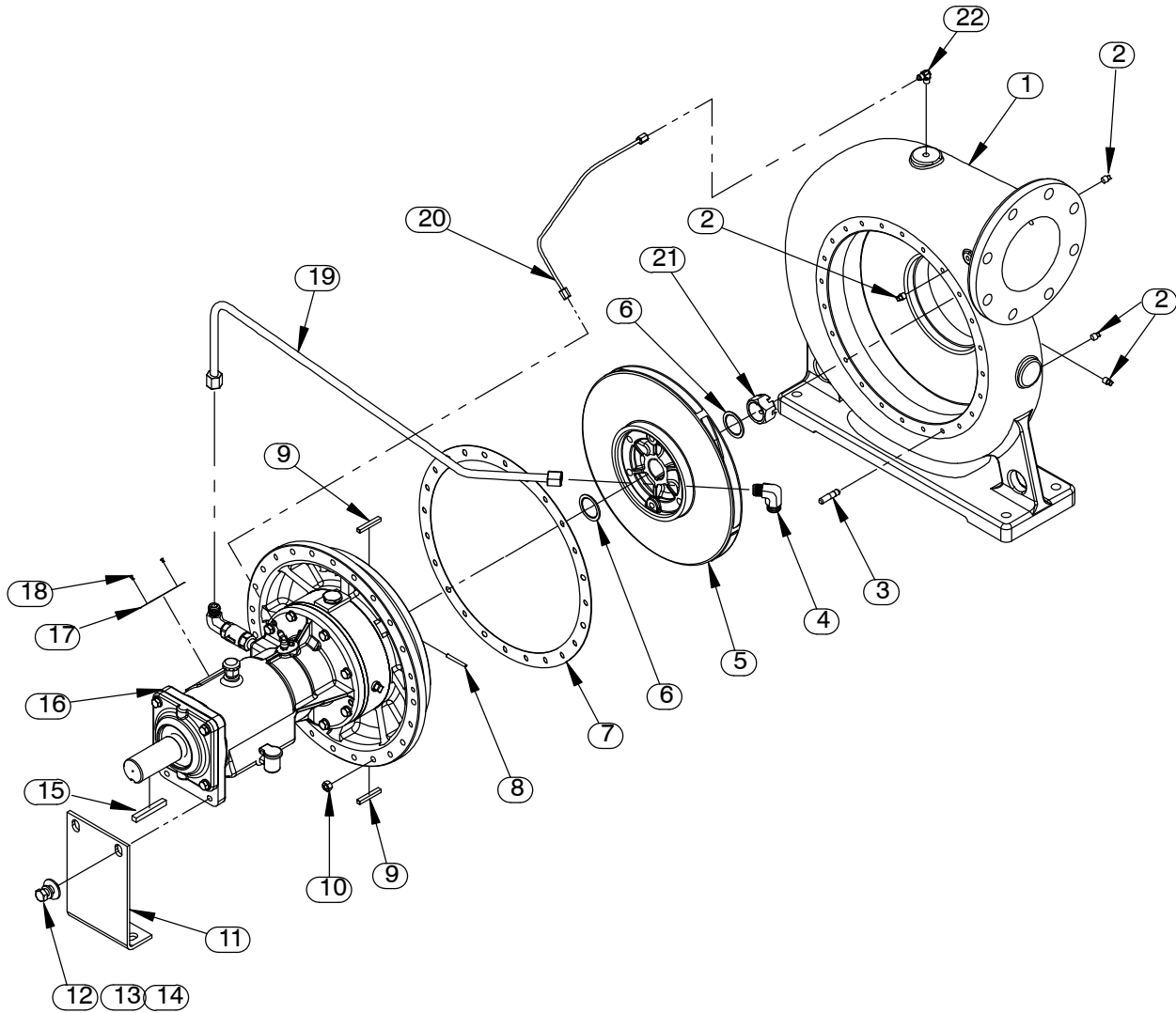


Performance Curve - Model RS5A32-B

This Page Intentionally Blank

RS5A32-B

S/N 1195931N Up
PUMP ISSUE 3



GORMAN-RUPP PUMPS

www.grpumps.com

1 of 5

©2014 Gorman-Rupp Pumps

Printed in U.S.A.

**PARTS LIST
Pump Model RS5A32-B**

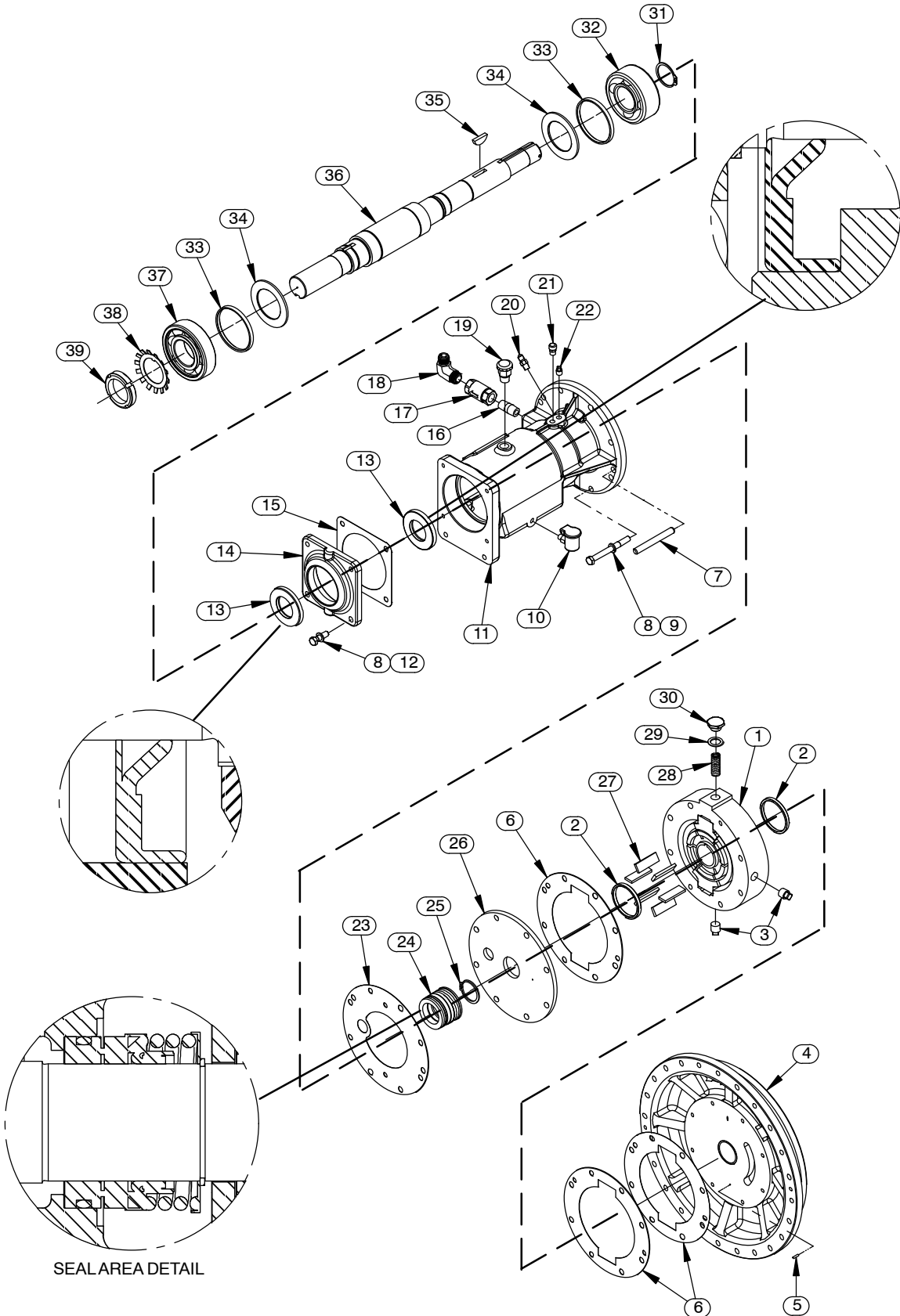
If your pump serial number is followed by an "N", your pump is **NOT** a standard production model. Contact the Gorman-Rupp Company to verify part numbers.

ITEM NO.	PART NAME	PART NUMBER	QTY
☞ 1	PUMP CASING	W01062 10140	1
☞ 2	PIPE PLUG	P02 15079	4
☞ 3	STUD	C0606-1/2 15991	24
4	MALE ELBOW	25812-011	1
5	IMPELLER ENCLOSED	38623-531 13048	1
6	IMP WASHER	K76643 15991	2
7	* BODY COVER GASKET	N15237-21 19060	1
8	SPIRAL PIN	21137-079	1
9	* KEY	K79330 16120	2
☞ 10	HEX NUT	D06 15991	24
11	SUPPORT BRG - HOUSING	R12852-02 15990	1
12	HEX HEAD CAP SCREW	B0805 15991	2
13	LOCK WASHER	J08 15991	2
14	FLAT WASHER	K08 15991	2
15	* KEY	N0611 15990	1
16	BEARING HOUSING ASSEMBLY	R12922-02	1
17	NAMEPLATE	2613DZ 13990	1
18	DRIVE SCREW	BM#04-03 17000	2
19	PRIMING TUBE ASSY.	46335-089	1
20	SEAL TUBE ASSY	46335-065	1
21	IMPELLER LOCK NUT	K88233 15111	1
22	MALE ELBOW	25817-032	1
NOT SHOWN:			
	* GASKET	1678G 19060	1
	G-R DECAL	GR-03	1
	* GASKET	1679G 19370	1
	ROTATION DECAL	2613M	1
	SUCTION STICKER	6588AG	1
	LUBRICATION DECAL	38816-074	1
	INSTRUCTION TAG	38817-011	1
	DISCHARGE STICKER	6588BJ	1
OPTIONAL:			
	DISCHARGE CHECK VALVE		
	-CHECK VALVE	26642-106	1
	-HEX HD CAPSCREW	B1212 15991	8
	-GASKET	1678G 18000	1
	-HEX NUT	D12 15991	8
	ALUM IMPELLER	38623-531 13048	1
☞	INCLUDED W/REPAIR PUMP CASING ASSY	46474-336	1

† ALL ROTO-PRIME™ IMPELLERS ARE TRIMMED.

* INDICATES PARTS RECOMMENDED FOR STOCK

GORMAN-RUPP PUMPS



SEAL AREA DETAIL

GORMAN-RUPP PUMPS

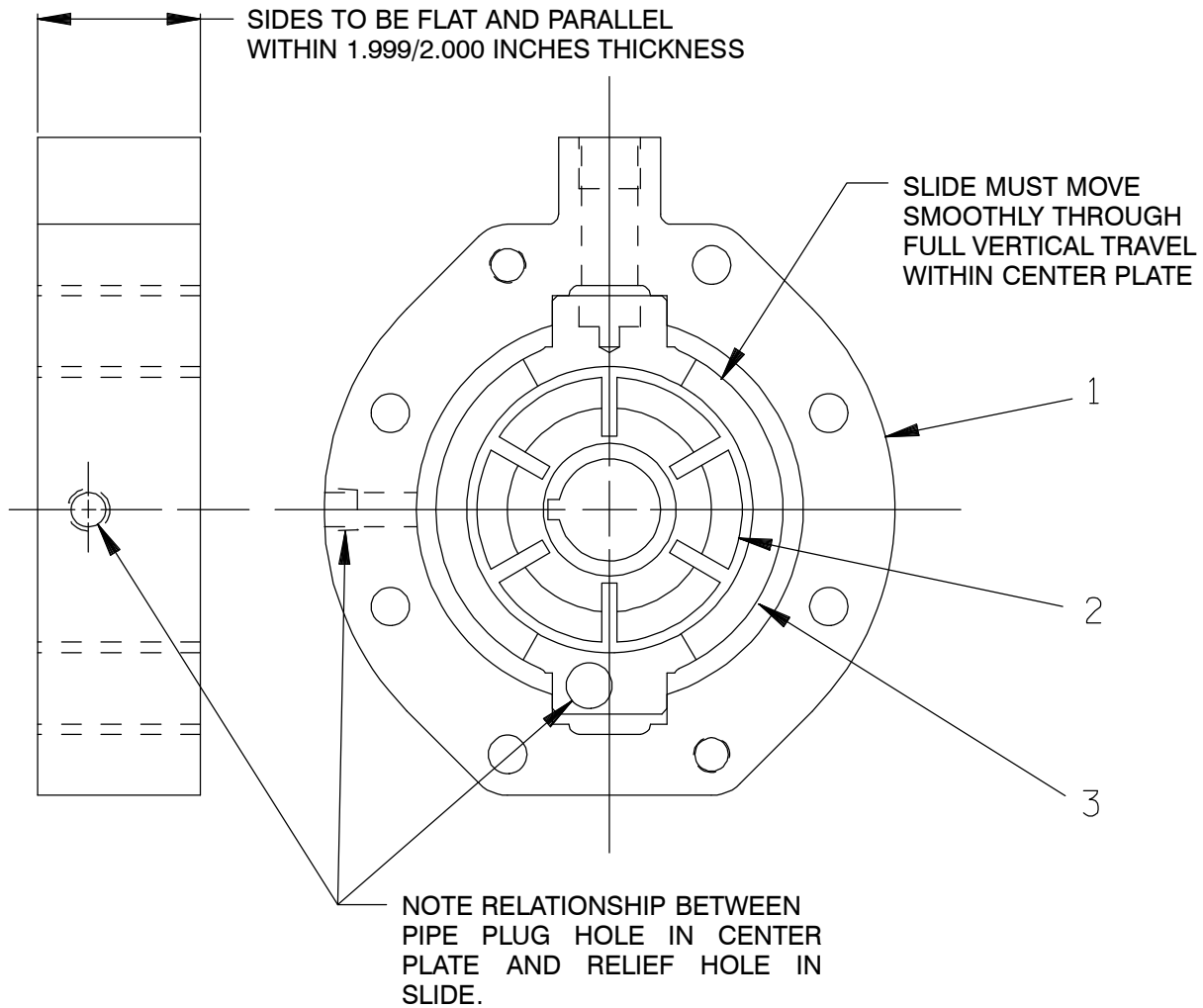
S/N 1195931N Up
PUMP ISSUE 3

PARTS LIST
R12922-02 Bearing Housing Assembly

ITEM NO.	PART NAME	PART NUMBER	QTY
1	GROUP GRIND	LK05271	1
2	BLADE SPACER	K76623 15030	2
3	PIPE PLUG	P06 15079	2
4	BODY COVER-L .H.	T03712 10140	1
5	* ROLL PIN	21154-666	1
6	CENTER PLATE GASKET	R10150 19210	3
7	DOWEL PIN	21133-116	2
8	LOCK WASHER	J06 15991	12
9	HEX HEAD CAP SCREW	B0615 15991	8
10	OILER	26713-054	1
11	BEARING HOUSING	W01172-04 11010	1
12	HEX HEAD CAP SCREW	B0605 15991	4
13	* OIL SEAL	25227-240	2
14	BEARING HOUSING CAP	R12770-02 10010	1
15	* BEARING CAP GASKET	N18938-01 18000	1
16	HEAVY PIPE NIPPLE	THA0606 15079	1
17	CHECK VALVE	26641-112	1
18	MALE ELBOW	25812-011	1
19	AIR VENT	S1703	1
20	MALE CONNECTOR	25817-202	1
21	AIR VENT	S2162	1
22	PIPE PLUG	P02 15079	1
23	* SPACER PLATE GASKET	R12923 18000	1
24	* MECH SEAL ASSEMBLY	25271-921	1
25	SNAP RING	24124-243	1
26	SPACER PLATE	R12771-02 11010	1
27	* PUMP BLADE	K79300-21	6
28	SPRING	K76626	1
29	* GASKET	38681-021 19060	1
30	SPRING CAP	K68064 15991	1
31	SNAP RING	24124-245	1
32	* BALL BEARING	23421-410	1
33	OIL RING	K86483 15030	2
34	OIL RING STOP	K76632-01	2
35	* WOODRUFF KEY	K74041 15990	1
36	* IMPELLER SHAFT	T08620-02 15010	1
37	* BALL BEARING	S1077	1
38	BRG LOCK WASHER STL	23962-511	1
39	BRG LOCK NUT STL	23962-011	1
OPTIONAL:	SST IMPELLER SHAFT	T08620-02 17080	1

* INDICATES PARTS RECOMMENDED FOR STOCK

GORMAN-RUPP PUMPS



PARTS LIST
LK05271 Group Grind

ITEM NO.	PART NAME	PART NUMBER	QTY
1	CENTER PLATE	NOT AVAILABLE	1
2	ROTOR	NOT AVAILABLE	1
3	SLIDE	NOT AVAILABLE	1

NOTE: THE GROUP GRIND MUST BE REPLACED AS A COMPLETE UNIT; INDIVIDUAL PIECE PARTS ARE NOT SOLD SEPARATELY.

GORMAN-RUPP PUMPS

**For Warranty Information, Please Visit
www.grpumps.com/warranty
or call:
U.S.: 419-755-1280
Canada: 519-631-2870
International: +1-419-755-1352**

GORMAN-RUPP PUMPS