



**PUMP MODEL
RD4A31-B**

**MANUAL
PART 2 of 3**

**PARTS
LIST
WITH
PERFORMANCE CURVE**

GORMAN-RUPP PUMPS

www.grpumps.com

Register your new
Gorman-Rupp pump online at
www.grpumps.com

Valid serial number and e-mail address required.

RECORD YOUR PUMP MODEL AND SERIAL NUMBER

Please record your pump model and serial number in the spaces provided below. Your Gorman-Rupp distributor needs this information when you require parts or service.

Pump Model: _____
Serial Number: _____

PERFORMANCE CURVE – SECTION A

RECORDING MODEL AND SERIAL NUMBERS

Please record the pump model and serial number in the spaces provided below and in the separate Installation/Operation Manual accompanying your pump. Your Gorman-Rupp distributor needs this information when you require parts or service.

Pump Model: _____

Serial Number: _____

WARRANTY INFORMATION

The pump warranty is provided as part of Gorman-Rupp's support program for customers who operate and maintain their equipment as described in this manual and other accompanying literature. Please note that should the equipment be abused or modified to change its performance beyond the original factory specifications, the warranty will become void and any claim will be denied.

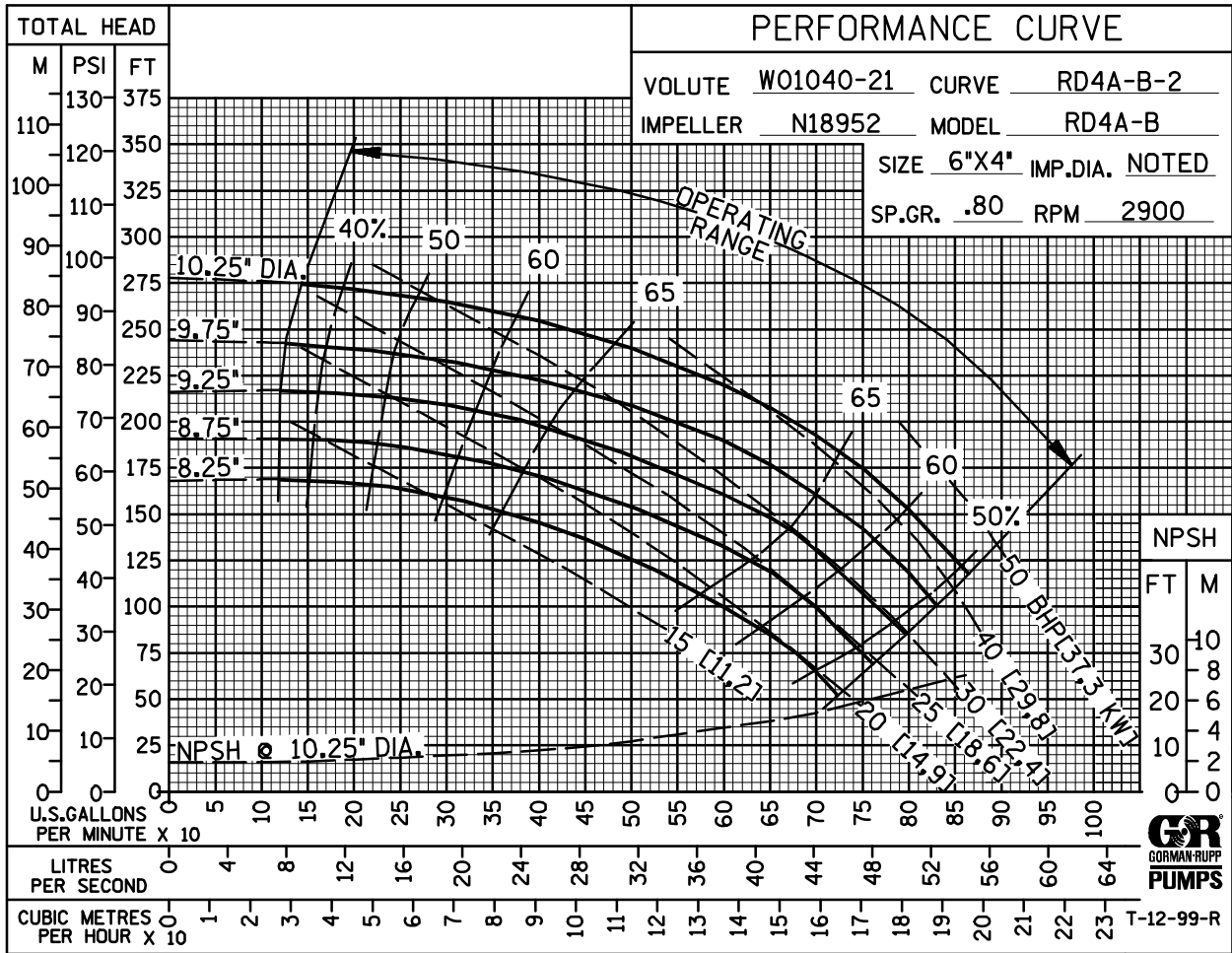
PERFORMANCE CURVES

The performance curves on the following page are based on 70°F (21°C) clear water at sea level, corrected to 0.80 specific gravity, with minimum suction lift. Since pump installations are seldom identical, your performance may be different due to such factors as viscosity, specific gravity, elevation, temperature, and impeller trim.

If your pump serial number is followed by an "N", your pump is **NOT** a standard production model. Contact the Gorman-Rupp Company to verify performance or part numbers.



Pump speed and operating condition points must be within the continuous performance range shown on the curve(s).

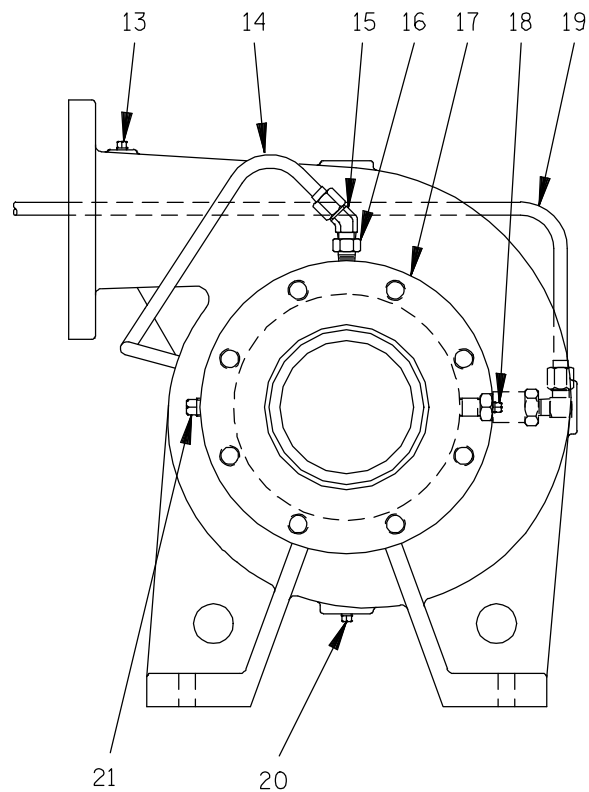
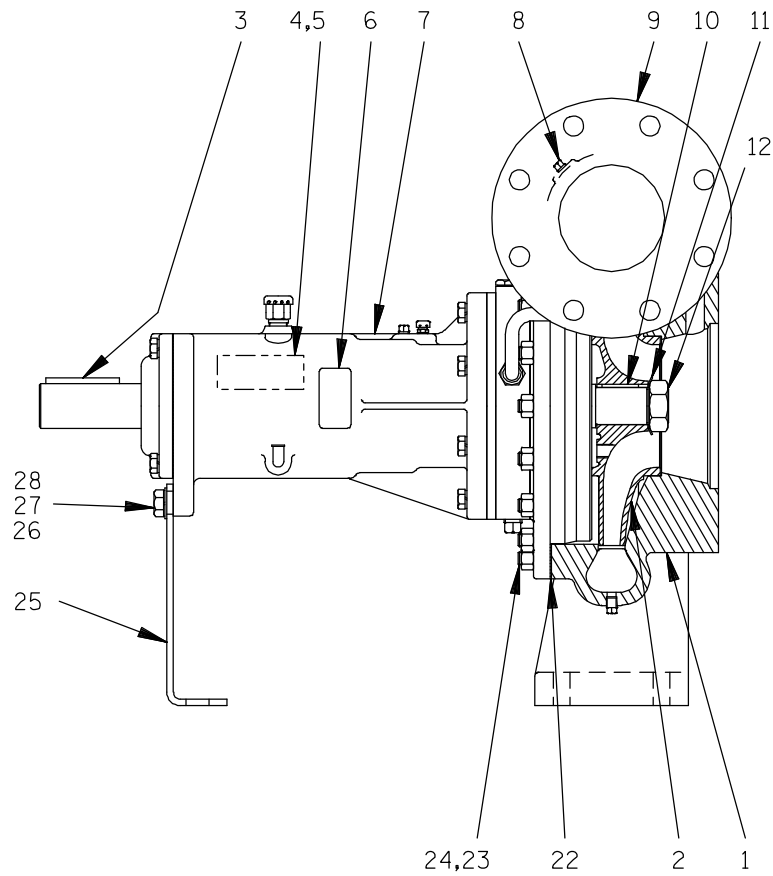


Performance Curve – Model RD4A31-B

This Page Intentionally Blank

RD4A31-B

S/N 1188910 Up
PUMP ISSUE 2



GORMAN-RUPP PUMPS

www.grpumps.com

©1999 Gorman-Rupp Pumps

RD4A31—B

S/N 1188910 Up
PUMP ISSUE 2

PARTS LIST Pump Model RD4A31—B

If your pump serial number is followed by an "N", your pump is **NOT** a standard production model. Contact the Gorman-Rupp Company to verify part numbers.

ITEM NO.	PART NAME	PART NUMBER	MAT'L CODE	QTY	ITEM NO.	PART NAME	PART NUMBER	MAT'L CODE	QTY
☞ 1	PUMP CASING	SEE NOTE BELOW		1	☞ 23	STUD	C0807	15991	18
2 *	IMPELLER	38628—548	13048	1	24	HEX NUT	D08	15991	18
3 *	SHAFT KEY	N0611	15990	1	25	BEARING HSG SUPPORT	R12852—02	15990	1
4	NAME PLATE	2613DZ	13990	1	26	HEX HD CAPSCREW	B0805	15991	2
5	DRIVE SCREW	BM#04—03	17000	2	27	LOCKWASHER	J08	15991	2
6	BRG LUBE DECAL	38816—074	----	1	28	FLAT WASHER	K08	15991	2
7	BRG HOUSING ASSY	44143—093	----	1	NOT SHOWN:				
☞ 8	PIPE PLUG	P02	15079	1	* DISCH FLANGE GASKET	N14147	19060	1	
9	DISCHARGE STICKER	6588BJ	----	1	* SUCTION FLANGE GSKT	1679G	19370	1	
10 *	IMPELLER KEY	K79330—23	15990	1	INSTRUCTION TAG	38817—011	----	1	
11	LOCKWASHER	S302	----	1	MALE ELBOW	25812—161	----	1	
12	IMPELLER NUT	K76645	15111	1	ROTATION DECAL	2613M	----	1	
☞ 13	PIPE PLUG	P02	15079	1	G-R DECAL	GR—03	----	1	
14	SUCTION TUBE ASSY	46335—066	----	1	OPTIONAL:				
15	MALE ELBOW	25812—161	----	1	DISCHARGE CHECK VALVE				
16	STRAINER	26841—094	----	1	—CHECK VALVE	26642—205	----	1	
17	SUCTION STICKER	6588AG	----	1	—CHECK VALVE GSKT	K79206—29	----	1	
18	PIPE PLUG	P02	15079	1	—HEX HD CAPSCREW	B1011	15991	8	
19	DISCH TUBE ASSY	46335—087	----	1	—HEX NUT	D10	15991	8	
☞ 20	PIPE PLUG	P02	15079	1	BRONZE IMPELLER	N18952	14140	1	
☞ 21	PIPE PLUG	P06	15079	1	● AIR RELEASE VALVE	GRP52—05A	----	1	
22 *	PUMP CASING GASKET	R11618	19060	1					

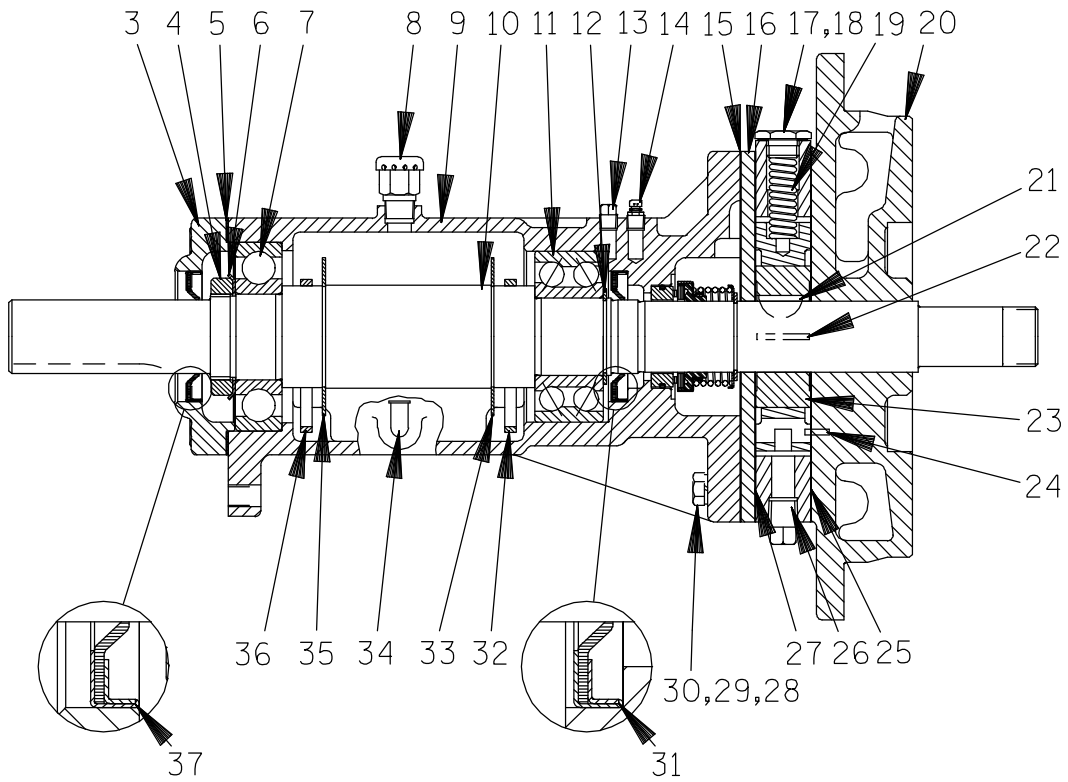
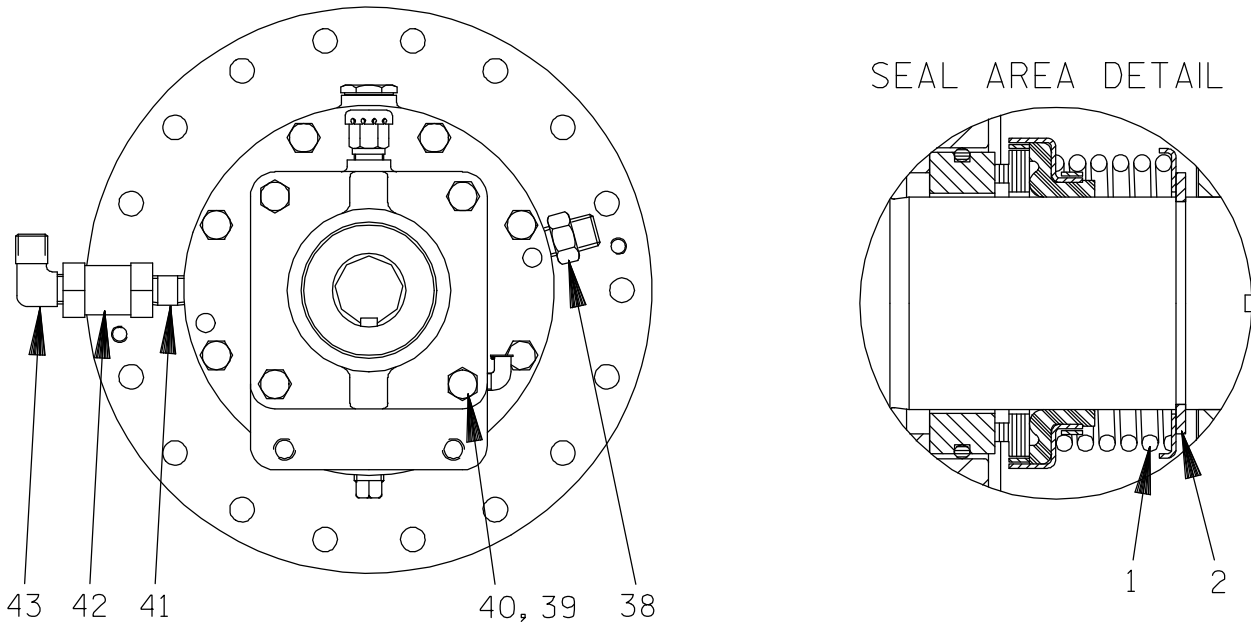
* INDICATES PARTS RECOMMENDED FOR STOCK

† ALL ROTO-PRIME[®] IMPELLERS ARE TRIMMED.

● SEE ACCOMPANYING LITERATURE FOR INDIVIDUAL PARTS, MAINTENANCE AND REPAIR.

☞ INCLUDED WITH REPAIR 46474—343 ---- 1
PUMP CASING ASSY

GORMAN-RUPP PUMPS



GORMAN-RUPP PUMPS

RD4A31—B

S/N 1188910 Up
PUMP ISSUE 2

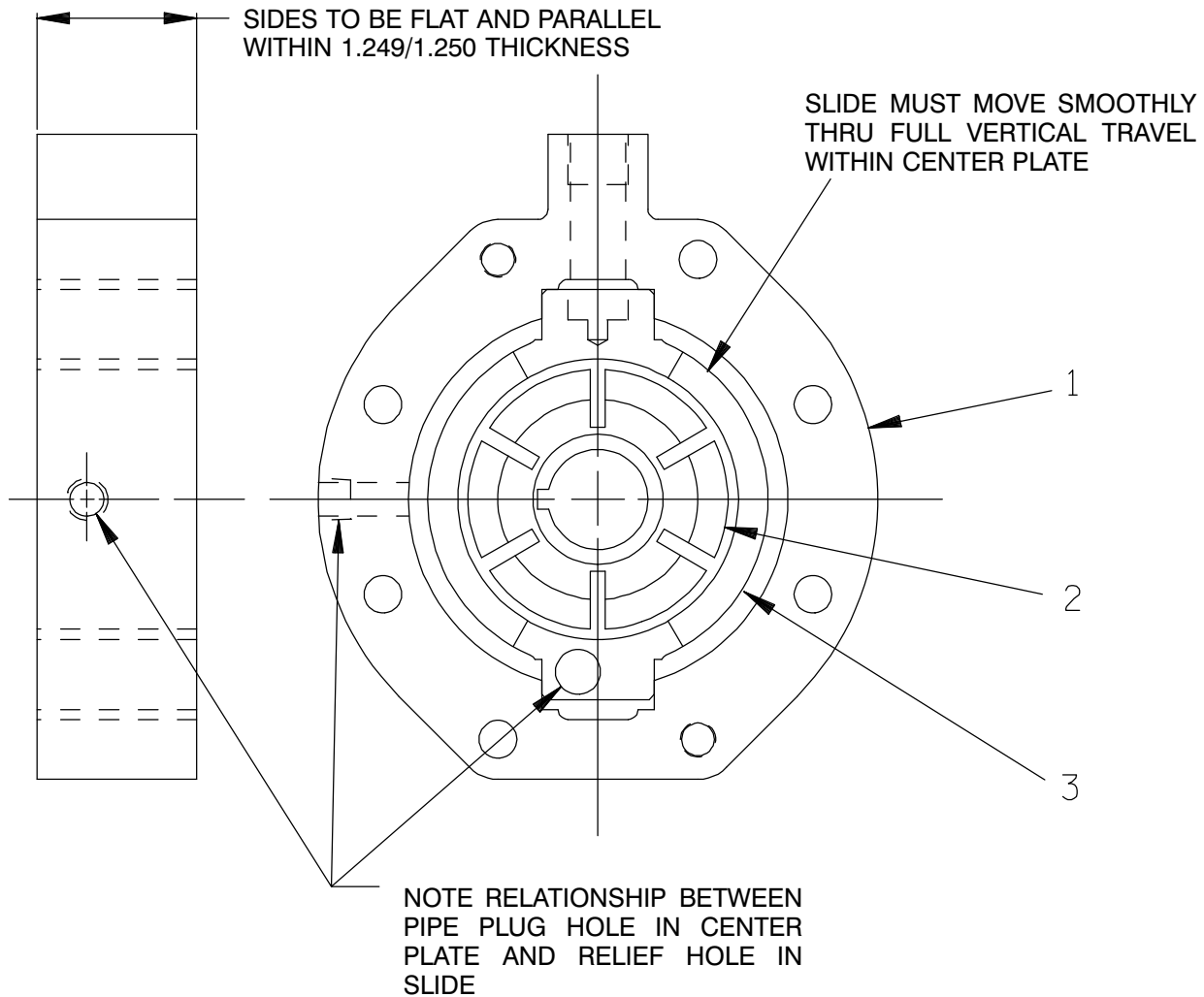
PARTS LIST 44143—093 Bearing Housing Assembly

ITEM NO.	PART NAME	PART NUMBER	MAT'L CODE	QTY	ITEM NO.	PART NAME	PART NUMBER	MAT'L CODE	QTY
1 *	SEAL ASSEMBLY	25271-921	----	1	26	PIPE PLUG	P06	15079	1
2	SEAL RETAINING RING	24124-243	----	1	27 *	CENTER PLATE GASKET	R10150	19210	1
3	BEARING CAP	R12770-02	10010	1	28	HEX HD CAPSCREW	B0612	15991	8
4	BEARING LOCK NUT	23962-011	----	1	29	LOCKWASHER	J06	15991	8
5 *	BEARING CAP GASKET	N18938-01	18000	1	30	DOWEL PIN	21133-113	----	2
6	TAB WASHER	23962-511	----	1	31 *	OIL SEAL	25227-240	----	1
7 *	OUTBOARD BEARING	S1077	----	1	32	SLINGER RING	K86483	15030	1
8	AIR VENT	S1703	----	1	33	SLINGER RING STOP	K76632-01	----	1
9	BEARING HOUSING	W01172-04	11010	1	34	OILER	26713-054	----	1
10 *	IMPELLER SHAFT	T08623-02	15010	1	35	SLINGER RING STOP	K76632-01	----	1
11 *	BALL BEARING	23421-410	----	1	36	SLINGER RING	K86483	15030	1
12	BEARING RET RING	24124-245	----	1	37 *	OIL SEAL	25227-240	----	1
13	PIPE PLUG	P02	15079	1	38	CONNECTOR	25812-214	----	1
14	AIR VENT	S2162	----	1	39	HEX HD CAPSCREW	B0605	15991	4
15 *	SPACER PLATE GASKET	R12923	18000	1	40	LOCKWASHER	J06	15991	4
16	SPACER PLATE	R12771-02	11010	1	41	HVY PIPE NIPPLE	THA0606	15079	1
17	PRESS REG SPRING CAP	K68064	15991	1	42	CHECK VALVE	26641-112	----	1
18 *	SPRING CAP GASKET	K86067	----	1	43	MALE ELBOW	25812-011	----	1
19 *	PRESS REG SPRING	K82659	----	1		NOT SHOWN:			
20	BODY COVER	T06762-21	11010	1		PIPE PLUG	P02	15079	1
21 *	ROTOR WOODRUFF KEY	K61559	15990	1		OPTIONAL:			
22 *	ROTOR BLADE	K79300-22	----	6		SST IMPELLER SHAFT	T08623-02	17080	1
23	GROUP GRIND	42212-015	----	1		GROUP GRIND WITH C.I. ROTOR			
24 *	LOCATING PIN	21154-666	----	1		-C.I. GROUP GRIND	LK05411	----	1
25 †	CENTER PLATE GASKET	R10150	19210	2					

* INDICATES PARTS RECOMMENDED FOR STOCK

† 2 GASKETS REQUIRED WHEN ROTOR OR SLIDE IS THICKER THAN CENTER PLATE.

GORMAN-RUPP PUMPS



PARTS LIST
42212-015 Group Grind

ITEM NO.	PART NAME	PART NUMBER	MAT'L CODE	QTY
1	CENTER PLATE	NOT AVAILABLE	---	1
2	ROTOR	NOT AVAILABLE	---	1
3	SLIDE	NOT AVAILABLE	---	1

NOTE: THE GROUP GRIND MUST BE REPLACED AS A COMPLETE UNIT: INDIVIDUAL PIECE PARTS ARE NOT SOLD SEPARATELY.

GORMAN-RUPP PUMPS

**For U.S. and International Warranty Information,
Please Visit www.grpumps.com/warranty
or call:**

**U.S.: 419-755-1280
International: +1-419-755-1352**

**For Canadian Warranty Information,
Please Visit www.grcanada.com/warranty
or call:**

519-631-2870