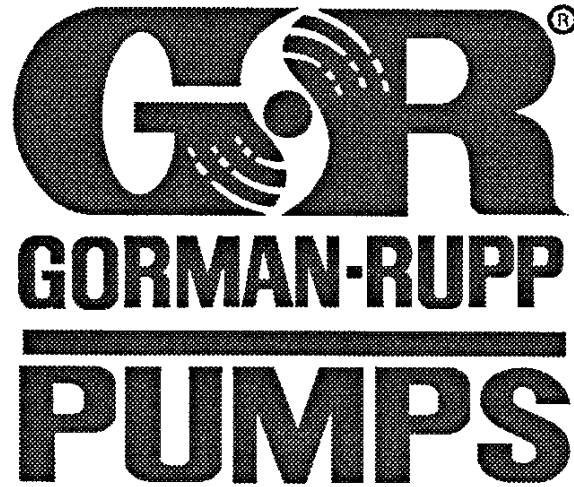


PUBLICATION NUMBER PL-04013-02
Pump Issue 2
February 9, 1994



**PUMP MODEL
RD4A32-B**

**MANUAL
PART 2 of 3**

**PARTS
LIST**
WITH
PERFORMANCE CURVE

THE GORMAN-RUPP COMPANY • MANSFIELD, OHIO

GORMAN-RUPP OF CANADA LIMITED • ST. THOMAS, ONTARIO, CANADA Printed in U.S.A.

©Copyright by the Gorman-Rupp Company

PERFORMANCE CURVE – SECTION A

RECORDING MODEL AND SERIAL NUMBERS

Please record the pump model and serial number in the spaces provided below and in the separate Installation/Operation Manual accompanying your pump. Your Gorman-Rupp distributor needs this information when you require parts or service.

Pump Model: _____

Serial Number: _____

WARRANTY INFORMATION

The pump warranty is provided as part of Gorman-Rupp's support program for customers who operate and maintain their equipment as described in this manual and other accompanying literature. Please note that should the equipment be abused or modified to change its performance beyond the original factory specifications, the warranty will become void and any claim will be denied.

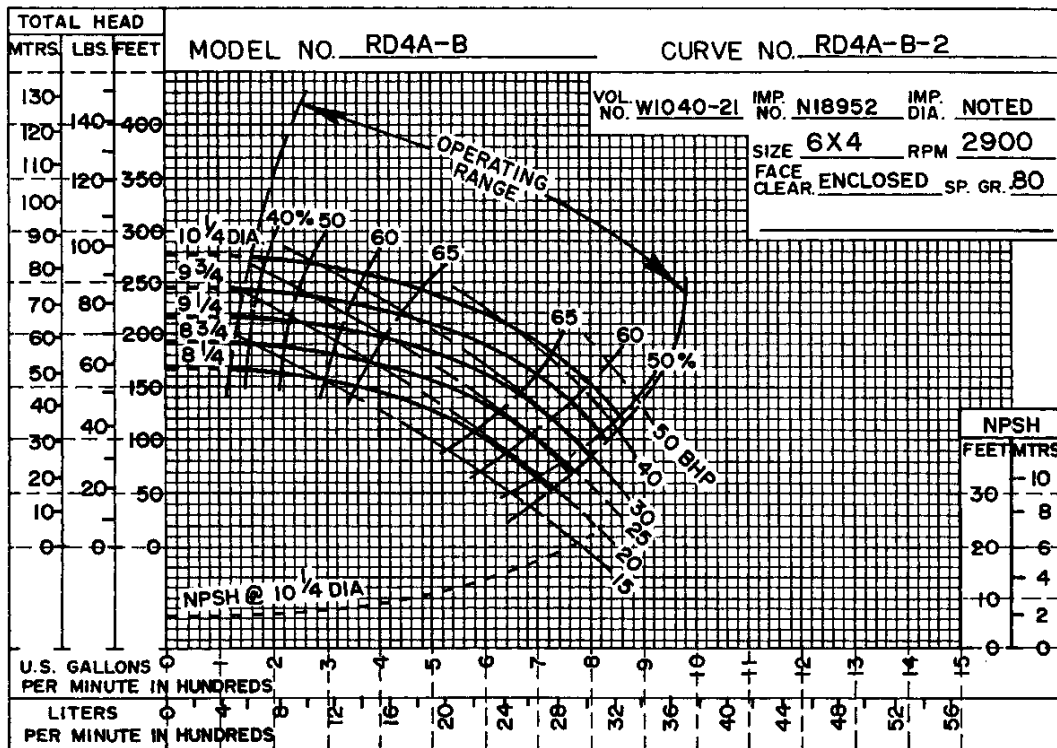
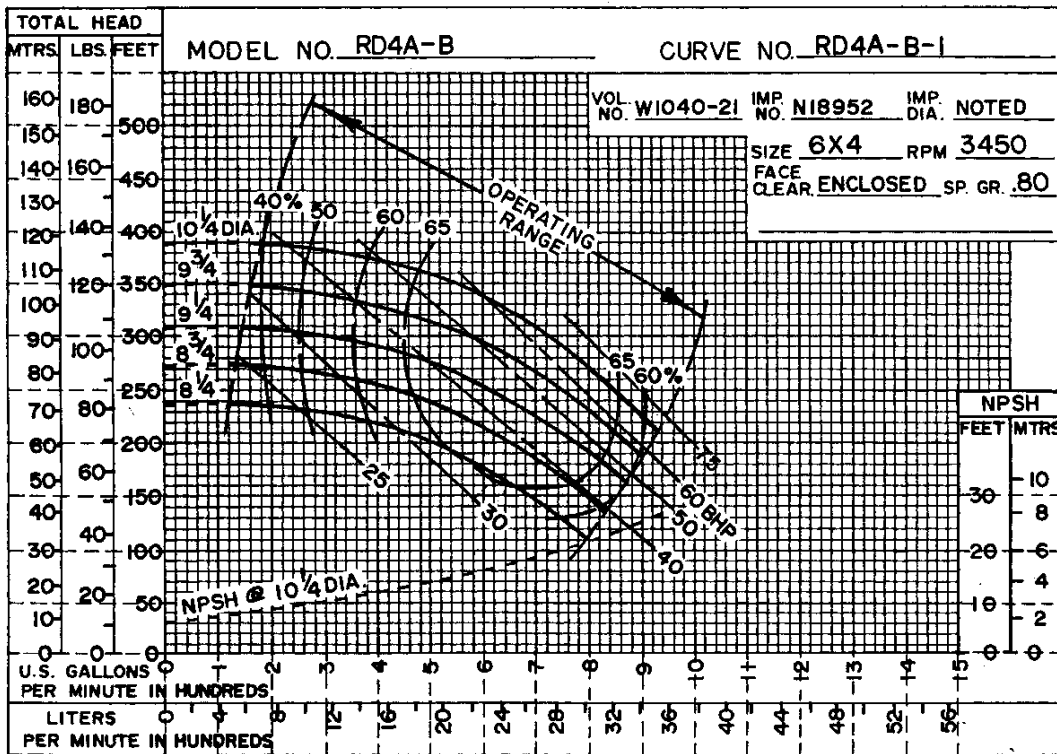
PERFORMANCE CURVES

The performance curves on the following page are based on 70° F (21° C) clear water at sea level, corrected to 0.80 specific gravity, with minimum suction lift. Since pump installations are seldom identical, your performance may be different due to such factors as viscosity, specific gravity, elevation, temperature, and impeller trim.

If your pump serial number is followed by an "N", your pump is **NOT** a standard production model. Contact the Gorman-Rupp Company to verify performance or part numbers.

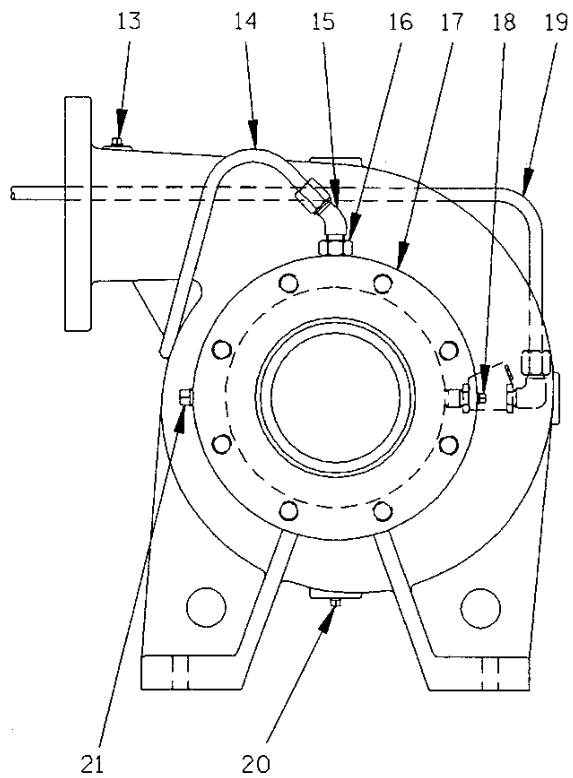
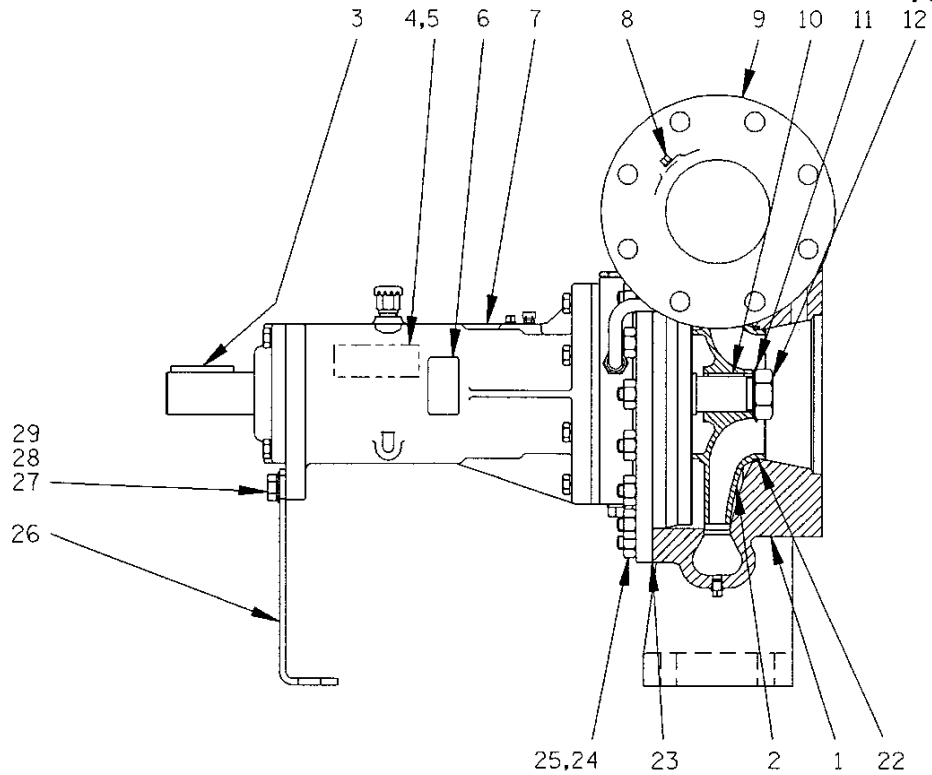


Pump speed and operating condition points must be within the continuous performance range shown on the curve(s).



Performance Curve - Model RD4A32-B

S/N 1046459 Up
PUMP ISSUE 2



THE GORMAN-RUPP COMPANY • MANSFIELD, OHIO

GORMAN-RUPP OF CANADA LIMITED • ST. THOMAS, ONTARIO, CANADA

Printed in U.S.A.

**S/N 1046459 Up
PUMP ISSUE 2**

**PARTS LIST
Pump Model RD4A32-B**

If your pump serial number is followed by an "N", your pump is **NOT** a standard production model. Contact the Gorman-Rupp Company to verify part numbers.

| ITEM NO. | PART NAME | PART NUMBER | MAT'L CODE | QTY | ITEM NO. | PART NAME | PART NUMBER | MAT'L CODE | QTY |
|----------|-------------------|---------------|------------|-----|-----------------------|---------------------|-------------|------------|-----|
| 1 | PUMP CASING | W01040-21 | 10140 | 1 | 23 * | PUMP CASING GASKET | R11618 | 20000 | 1 |
| 2 * | IMPELLER | N18952 | 13040 | 1 | 24 | STUD | C0807 | 15991 | 18 |
| 3 * | SHAFT KEY | N0611 | 15990 | 1 | 25 | HEX NUT | D08 | 15991 | 18 |
| 4 | NAME PLATE | 2613DZ | 13990 | 1 | 26 | BEARING HSG SUPPORT | R12852-02 | 15990 | 1 |
| 5 | DRIVE SCREW | BM#04-03 | 15990 | 2 | 27 | HEX HD CAPSCREW | B0805 | 15991 | 2 |
| 6 | BRG LUBE DECAL | 38816-074 | ----- | 1 | 28 | LOCKWASHER | J08 | 15991 | 2 |
| 7 | BRG HOUSING ASSY | R12924-02 | ----- | 1 | 29 | FLAT WASHER | K08 | 15991 | 2 |
| 8 | PIPE PLUG | P02 | 15079 | 1 | | | | | |
| 9 | DISCHARGE STICKER | 6588BJ | ----- | 1 | | | | | |
| 10 * | IMPELLER KEY | K79330-23 | 15990 | 1 | NOT SHOWN: | | | | |
| 11 | LOCKWASHER | S302 | ----- | 1 | * DISCH FLANGE GASKET | N14147 | 18000 | 1 | |
| 12 | IMPELLER NUT | K76645 | 15111 | 1 | * SUCTION FLANGE GSKT | 1679G | 18000 | 1 | |
| 13 | PIPE PLUG | P02 | 15079 | 1 | INSTRUCTION TAG | 38817-011 | ----- | 1 | |
| 14 | SUCTION TUBE ASSY | R11643 | ----- | 1 | MALE ELBOW | 25812-161 | ----- | 1 | |
| 15 | MALE ELBOW | 25812-161 | ----- | 1 | OPTIONAL: | | | | |
| 16 | STRAINER | 26841-074 | ----- | 1 | DISCHARGE CHECK VALVE | | | | |
| 17 | SUCTION STICKER | 6588AG | ----- | 1 | -CHECK VALVE | 26642-205 | ----- | 1 | |
| 18 | PIPE PLUG | P02 | 15079 | 1 | -CHECK VALVE GSKT | K79206-29 | ----- | 1 | |
| 19 | DISCH TUBE ASSY | T08815 | ----- | 1 | -HEX HD CAPSCREW | B1011 | 15991 | 8 | |
| 20 | PIPE PLUG | P02 | 15079 | 1 | -HEX NUT | D10 | 15991 | 8 | |
| 21 | PIPE PLUG | P06 | 15079 | 1 | BRONZE IMPELLER | N18952 | 14150 | 1 | |
| 22 † | WEAR RING | NOT AVAILABLE | | 2 | ● AIR RELEASE VALVE | GRP52-05A | ----- | 1 | |

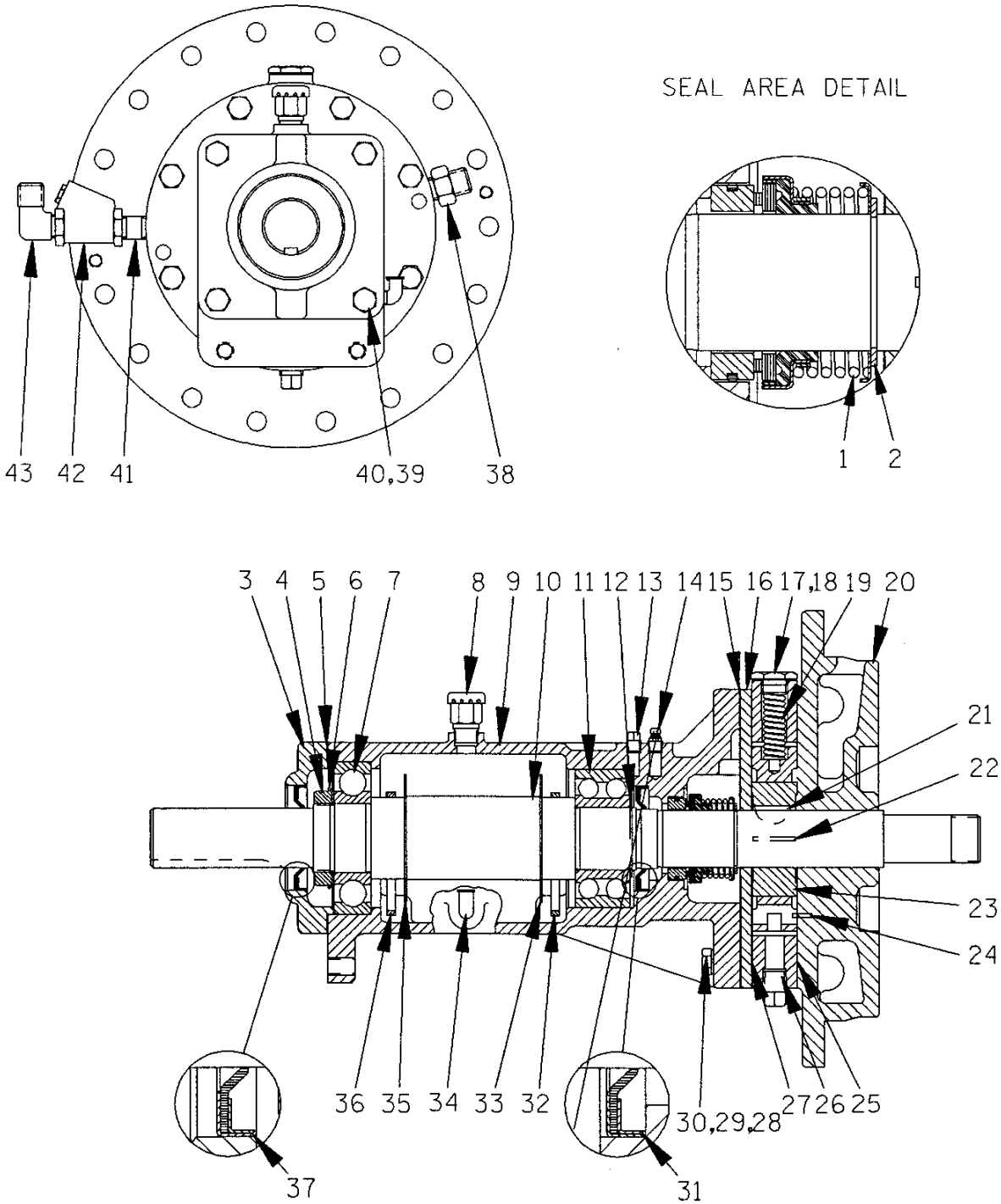
* INDICATES PARTS RECOMMENDED FOR STOCK

Above Serial Numbers Do Not Apply To Pumps Made In Canada.

CANADIAN SERIAL NO. AND UP

† ALL ROTO-PRIME® IMPELLERS ARE TRIMMED AND INCLUDE WEAR RINGS AND GROOVE PINS. WEAR RINGS ARE NOT SOLD SEPARATELY.

● SEE ACCOMPANYING LITERATURE FOR INDIVIDUAL PARTS, MAINTENANCE AND REPAIR.



THE GORMAN-RUPP COMPANY • MANSFIELD, OHIO

GORMAN-RUPP OF CANADA LIMITED • ST. THOMAS, ONTARIO, CANADA

Printed in U.S.A.

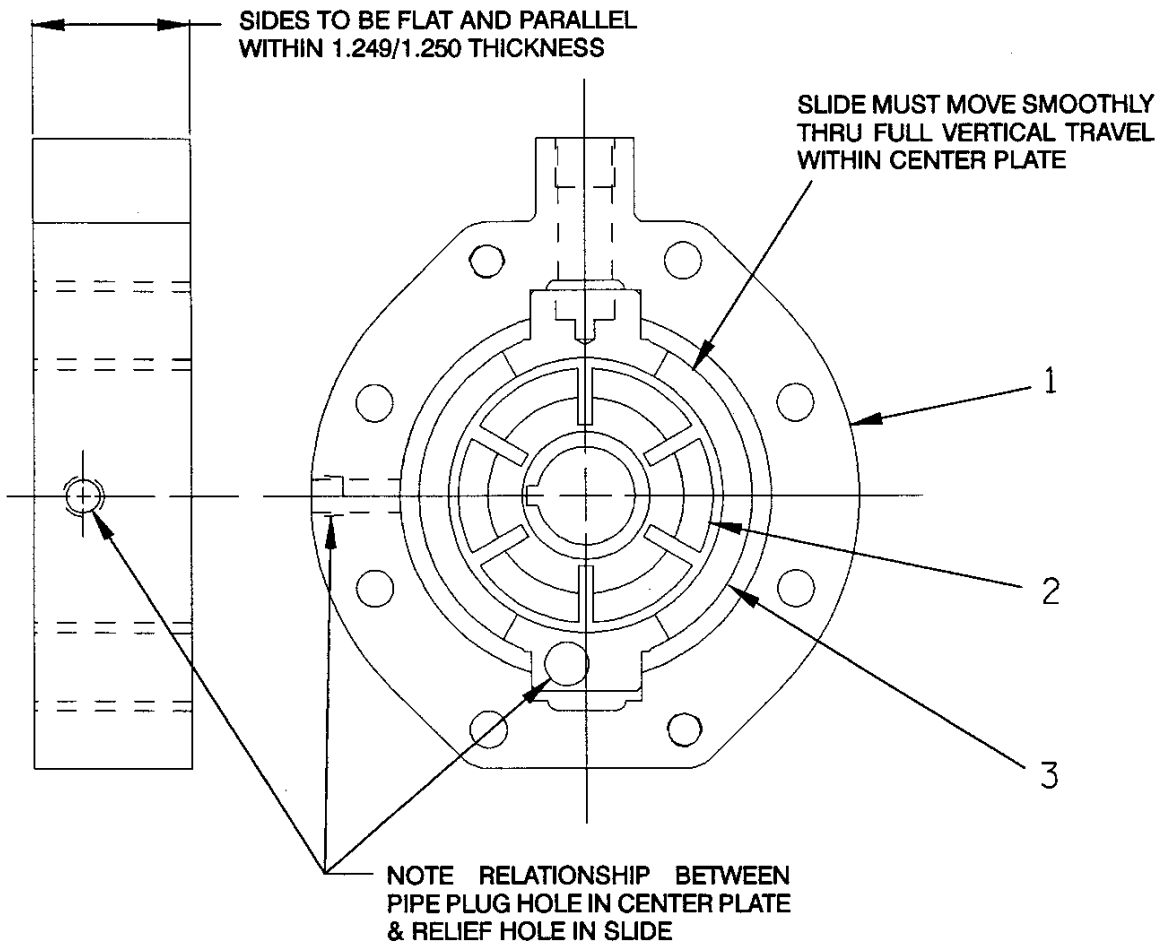
S/N 1046459 Up
PUMP ISSUE 2

PARTS LIST
R12924-02 Bearing Housing Assembly

| ITEM NO. | PART NAME | PART NUMBER | MAT'L CODE | QTY | ITEM NO. | PART NAME | PART NUMBER | MAT'L CODE | QTY |
|----------|----------------------|-------------|------------|-----|----------|---------------------|-------------|------------|-----|
| 1 * | SEAL ASSEMBLY | 25271-921 | ----- | 1 | 24 * | LOCATING PIN | 21154-666 | ----- | 1 |
| 2 | SEAL RETAINING RING | 24124-243 | ----- | 1 | 25 † | CENTER PLATE GASKET | R10150 | 18010 | 2 |
| 3 | BEARING CAP | R12770-02 | 10010 | 1 | 26 | PIPE PLUG | P06 | 15079 | 1 |
| 4 | BEARING LOCK NUT | 23962-011 | ----- | 1 | 27 * | CENTER PLATE GASKET | R10150 | 18010 | 1 |
| 5 * | BEARING CAP GASKET | N18938-01 | 18000 | 1 | 28 | HEX HD CAPSCREW | 21632-611 | ----- | 8 |
| 6 | TAB WASHER | 23962-511 | ----- | 1 | 29 | LOCKWASHER | J06 | 15991 | 8 |
| 7 * | OUTBOARD BEARING | 23275-211 | ----- | 1 | 30 | DOWEL PIN | 21133-113 | ----- | 2 |
| 8 | AIR VENT | S1703 | ----- | 1 | 31 * | OIL SEAL | 25227-240 | ----- | 1 |
| 9 | BEARING HOUSING | W01172-04 | 11010 | 1 | 32 | SLINGER RING | K86483 | 15030 | 1 |
| 10 * | IMPELLER SHAFT | T08623-02 | 15010 | 1 | 33 | SLINGER RING STOP | K76632-01 | ----- | 1 |
| 11 * | BALL BEARING | 23421-410 | ----- | 1 | 34 | OILER | 26713-054 | ----- | 1 |
| 12 | BEARING RET RING | 24124-245 | ----- | 1 | 35 | SLINGER RING STOP | K76632-01 | ----- | 1 |
| 13 | PIPE PLUG | P02 | 15079 | 1 | 36 | SLINGER RING | K86483 | 15030 | 1 |
| 14 | AIR VENT | S2162 | ----- | 1 | 37 * | OIL SEAL | 25227-240 | ----- | 1 |
| 15 * | SPACER PLATE GASKET | R12923 | 18000 | 1 | 38 | CONNECTOR | 25812-214 | ----- | 1 |
| 16 | SPACER PLATE | R12771-02 | 11010 | 1 | 39 | HEX HD CAPSCREW | 21632-597 | ----- | 4 |
| 17 | PRESS REG SPRING CAP | K68064 | 15991 | 1 | 40 | LOCKWASHER | J06 | 15991 | 4 |
| 18 * | SPRING CAP GASKET | K86067 | ----- | 1 | 41 | HVY PPIPE NIPPLE | THA0606 | 15079 | 1 |
| 19 * | PRESS REG SPRING | K82659 | ----- | 1 | 42 | CHECK VALVE | 26641-512 | ----- | 1 |
| 20 | BODY COVER | T06762-21 | 10140 | 1 | 43 | MALE ELBOW | 25812-011 | ----- | 1 |
| 21 * | ROTOR WOODRUFF KEY | K61559 | 15990 | 1 | | OPTIONAL: | | | |
| 22 * | ROTOR BLADE | K79300-22 | ----- | 6 | | SST IMPELLER SHAFT | T08623-02 | 17080 | 1 |
| 23 | GROUP GRIND | LK05268 | ----- | 1 | | | | | |

* INDICATES PARTS RECOMMENDED FOR STOCK

† 2 GASKETS REQUIRED WHEN ROTOR OR SLIDE IS THICKER THAN CENTER PLATE.



PARTS LIST
LK05268 Group Grind

| ITEM NO. | PART NAME | PART NUMBER | MAT'L CODE | QTY |
|----------|--------------|---------------|------------|-----|
| 1 | CENTER PLATE | NOT AVAILABLE | ---- | 1 |
| 2 | ROTOR | NOT AVAILABLE | ---- | 1 |
| 3 | SLIDE | NOT AVAILABLE | ---- | 1 |

NOTE: THE GROUP GRIND MUST BE REPLACED AS A COMPLETE UNIT: INDIVIDUAL PIECE PARTS ARE NOT SOLD SEPARATELY.

THE GORMAN-RUPP COMPANY • MANSFIELD, OHIO

GORMAN-RUPP OF CANADA LIMITED • ST. THOMAS, ONTARIO, CANADA

Printed in U.S.A.

**For U.S. and International Warranty Information,
Please Visit www.grpumps.com/warranty**

or call:

U.S.: 419-755-1280

International: +1-419-755-1352

**For Canadian Warranty Information,
Please Visit www.grcanada.com/warranty**

or call:

519-631-2870

THE GORMAN-RUPP COMPANY • MANSFIELD, OHIO

GORMAN-RUPP OF CANADA LIMITED • ST. THOMAS, ONTARIO, CANADA