



**PUMP MODEL
62F31-B**

**MANUAL
PART 2 of 3**

**PARTS
LIST
WITH
PERFORMANCE CURVE**

THE GORMAN-RUPP COMPANY • MANSFIELD, OHIO

www.grpumps.com

GORMAN-RUPP OF CANADA LIMITED • ST. THOMAS, ONTARIO, CANADA

Printed in U.S.A.

©1994 The Gorman-Rupp Company

Register your new
Gorman-Rupp pump online at
www.grpumps.com

Valid serial number and e-mail address required.

RECORD YOUR PUMP MODEL AND SERIAL NUMBER

Please record your pump model and serial number in the spaces provided below. Your Gorman-Rupp distributor needs this information when you require parts or service.

Pump Model: _____
Serial Number: _____

PERFORMANCE CURVE – SECTION A

RECORDING MODEL AND SERIAL NUMBERS

Please record the pump model and serial number in the spaces provided below and in the separate Installation/Operation Manual accompanying your pump. Your Gorman-Rupp distributor needs this information when you require parts or service.

Pump Model: _____

Serial Number: _____

WARRANTY INFORMATION

The pump warranty is provided as part of Gorman-Rupp's support program for customers who operate and maintain their equipment as described in this manual and other accompanying literature. Please note that should the equipment be abused or modified to change its performance beyond the original factory specifications, the warranty will become void and any claim will be denied.

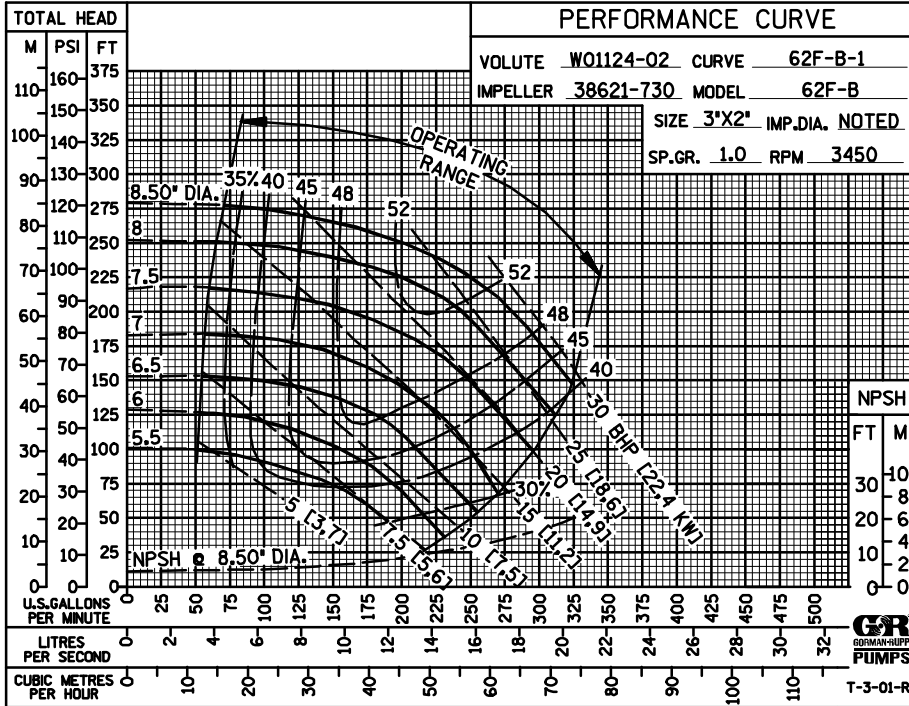
PERFORMANCE CURVE

The performance curve on the following page is based on 70° F (21° C) clear water (or corrected to .80 specific gravity) at sea level with minimum suction lift. Since pump installations are seldom identical, your performance may be different due to such factors as viscosity, specific gravity, elevation, temperature, and impeller trim.

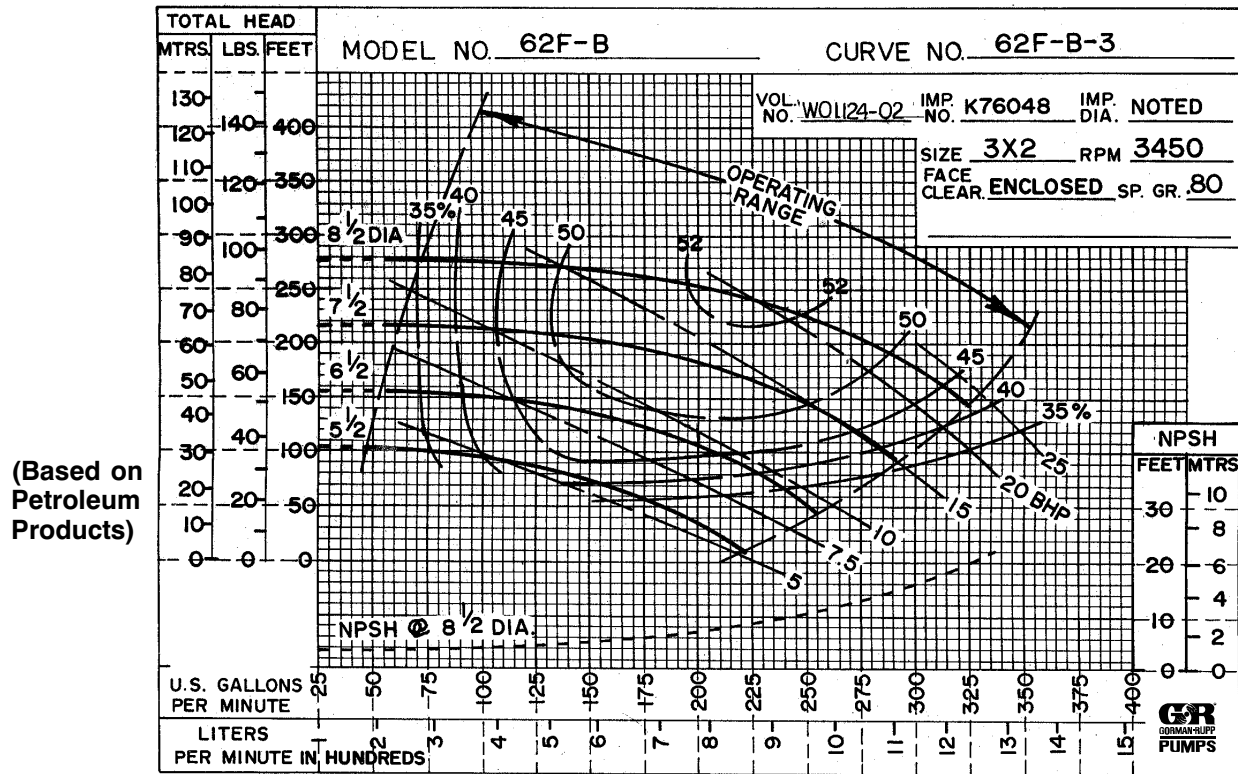
If your pump serial number is followed by an "N", your pump is **NOT** a standard production model. Contact the Gorman-Rupp Company to verify performance or part numbers.



Pump speed and operating condition points must be within the continuous performance range shown on the curve(s).



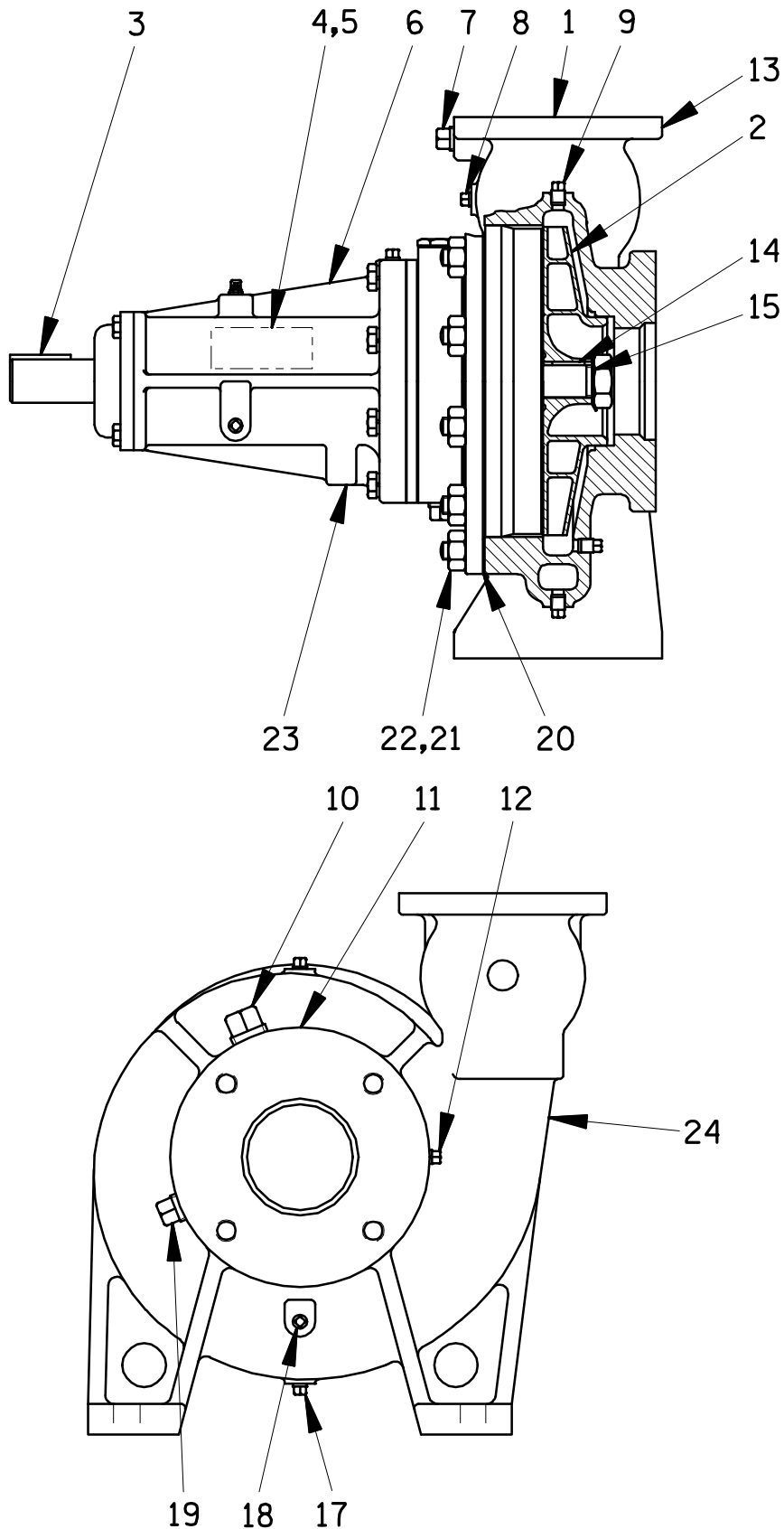
(Based on Clear Water)



(Based on Petroleum Products)

T-10-95R

Performance Curves – Model 62F31–B



THE GORMAN-RUPP COMPANY • MANSFIELD, OHIO

GORMAN-RUPP OF CANADA LIMITED • ST. THOMAS, ONTARIO, CANADA Printed in U.S.A.

S/N 1054585 Up
PUMP ISSUE 1

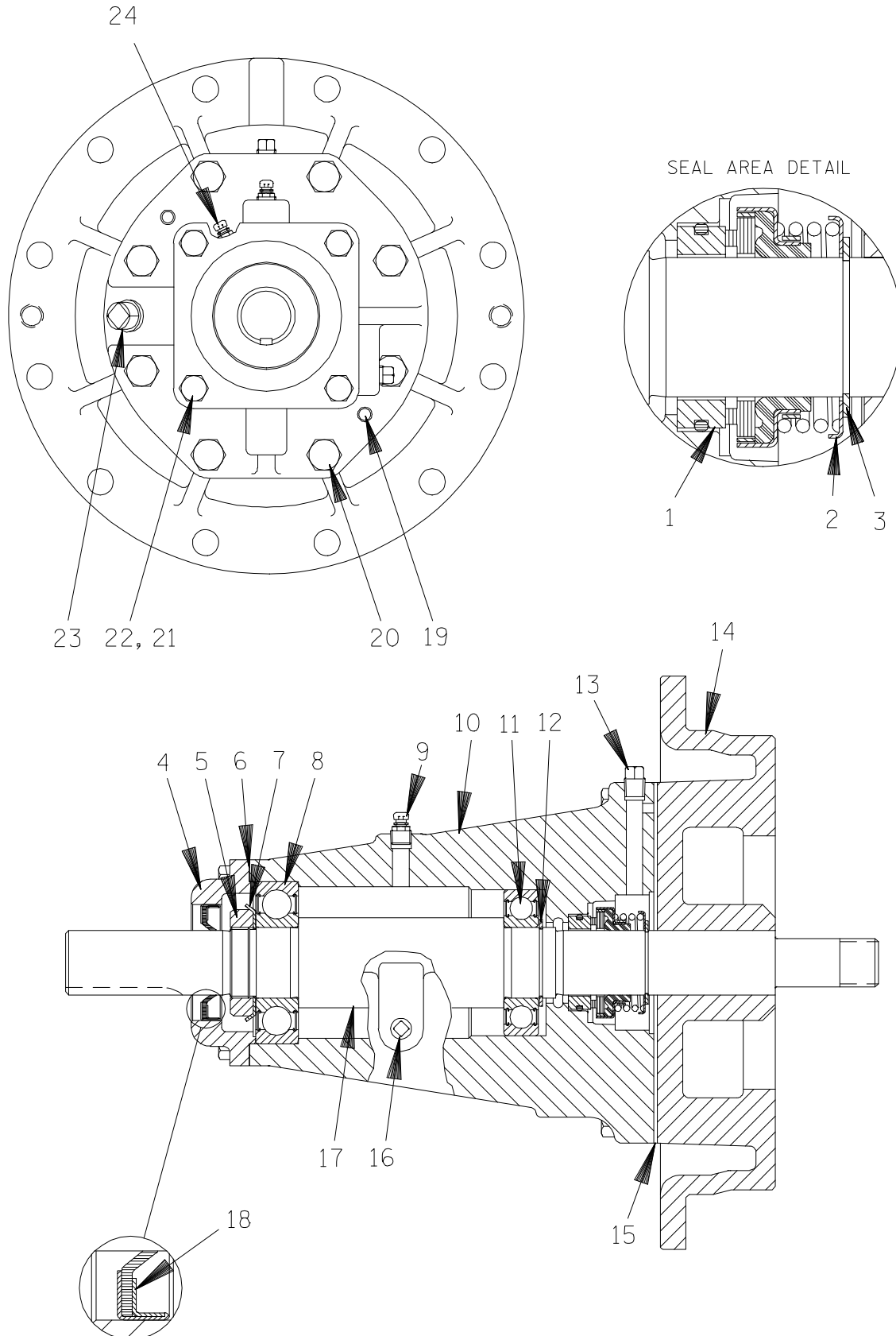
PARTS LIST
Pump Model 62F31-B

If your pump serial number is followed by an "N", your pump is **NOT** a standard production model. Contact the Gorman-Rupp Company to verify part numbers.

ITEM NO.	PART NAME	PART NUMBER	MAT'L CODE	QTY
1	PUMP CASING	W01124-02	11010	1
2	* IMPELLER	38621-730	13048	1
3	* SHAFT KEY	N0406	15990	1
4	NAME PLATE	2613ED	13990	1
5	DRIVE SCREW	BM#04-03	15990	2
6	LUBE DECAL	38816-081	---	1
7	PIPE PLUG	P06	15079	1
8	PIPE PLUG	P02	15079	1
9	PIPE PLUG	P02	15079	1
10	PIPE PLUG	P08	15079	1
11	SUCTION STICKER	6588AG	-----	1
12	PIPE PLUG	P02	15079	1
13	DISCHARGE STICKER	6588BJ	---	1
14	* IMPELLER KEY	K79328-23	15990	1
15	BRG LOCKWASHER	23962-506	---	1
16	IMPELLER NUT	K75775	15111	1
17	PIPE PLUG	P02	15079	1
18	PIPE PLUG	P02	15079	1
19	PIPE PLUG	P06	15079	1
20	* PUMP CASING GASKET	R12531	19060	1
21	STUD	C0807	15991	12
22	HEX NUT	D08	15991	12
23	BRG HOUSING ASSY	R12530-01	---	1
24	G-R DECAL	GR-03	---	1
NOT SHOWN:				
	* DISCH FLANGE GASKET	N14226	19060	1
	* SUCT FLANGE GASKET	11589GA	19060	1
	INSTRUCTION TAG	38817-011	---	1
	BEARING TAG	6588ABB	---	1
OPTIONAL:				
	SUCT/DISCH FLANGE KIT	K33849	---	1

* INDICATES PARTS RECOMMENDED FOR STOCK

THE GORMAN-RUPP COMPANY • MANSFIELD, OHIO



THE GORMAN-RUPP COMPANY • MANSFIELD, OHIO

GORMAN-RUPP OF CANADA LIMITED • ST. THOMAS, ONTARIO, CANADA

Printed in U.S.A.

S/N 1054585 Up
PUMP ISSUE 1

PARTS LIST
R12530-01 Bearing Housing Assembly

ITEM NO.		PART NAME	PART NUMBER	MAT'L CODE	QTY
1	*	SEAL ASSEMBLY	25271-192	---	1
2		SPRING HOLDER	25273-266	---	1
3		RETAINING RING	S700	---	1
4		BEARING CAP	N14130	10010	1
5		BEARING LOCK NUT	S301	---	1
6	*	BEARING CAP GASKET	K74033	18000	1
7		BRG LOCKWASHER	S302	---	1
8	*	OUTBOARD BEARING	23282-008	---	1
9		AIR VENT	S2162	-----	1
10		BEARING HOUSING	T02990	11010	1
11	*	INBOARD BEARING	23257-012	---	1
12		BEARING RET RING	S248	---	1
13		PIPE PLUG	P02	15079	1
14		BODY COVER	T07826-02	11010	1
15	*	BODY COVER GASKET	N14144	18000	1
16		PIPE PLUG	P02	15079	1
17	*	IMPELLER SHAFT	T07825	15010	1
18	*	OIL SEAL	25227-230	---	1
19		DOWEL PIN	21133-066	---	2
20		HEX HD CAPSCREW	B0605	15991	8
21		HEX HD CAPSCREW	B0504	15991	4
22		LOCKWASHER	J05	15991	4
23		PIPE PLUG	P06	15079	1
24		AIR VENT FITTING	S2162	---	1
OPTIONAL:					
		SST IMPELLER SHAFT	T07825	17080	1
		TEFLON SEAL ASSY	25271-743	---	1

* INDICATES PARTS RECOMMENDED FOR STOCK

THE GORMAN-RUPP COMPANY • MANSFIELD, OHIO

**For U.S. and International Warranty Information,
Please Visit www.grpumps.com/warranty**

or call:

U.S.: 419-755-1280

International: +1-419-755-1352

**For Canadian Warranty Information,
Please Visit www.grcanada.com/warranty**

or call:

519-631-2870