



**PUMP MODEL
63E31-B**

**MANUAL
PART 2 of 3**

**PARTS
LIST
WITH
PERFORMANCE CURVE**

THE GORMAN-RUPP COMPANY • MANSFIELD, OHIO

www.grpumps.com

GORMAN-RUPP OF CANADA LIMITED • ST. THOMAS, ONTARIO, CANADA

Printed in U.S.A.

©1994 The Gorman-Rupp Company

Register your new
Gorman-Rupp pump online at
www.grpumps.com

Valid serial number and e-mail address required.

RECORD YOUR PUMP MODEL AND SERIAL NUMBER

Please record your pump model and serial number in the spaces provided below. Your Gorman-Rupp distributor needs this information when you require parts or service.

Pump Model: _____
Serial Number: _____

PERFORMANCE CURVE – SECTION A

RECORDING MODEL AND SERIAL NUMBERS

Please record the pump model and serial number in the spaces provided below and in the separate Installation/Operation Manual accompanying your pump. Your Gorman-Rupp distributor needs this information when you require parts or service.

Pump Model: _____

Serial Number: _____

WARRANTY INFORMATION

The pump warranty is provided as part of Gorman-Rupp's support program for customers who operate and maintain their equipment as described in this manual and other accompanying literature. Please note that should the equipment be abused or modified to change its performance beyond the original factory specifications, the warranty will become void and any claim will be denied.

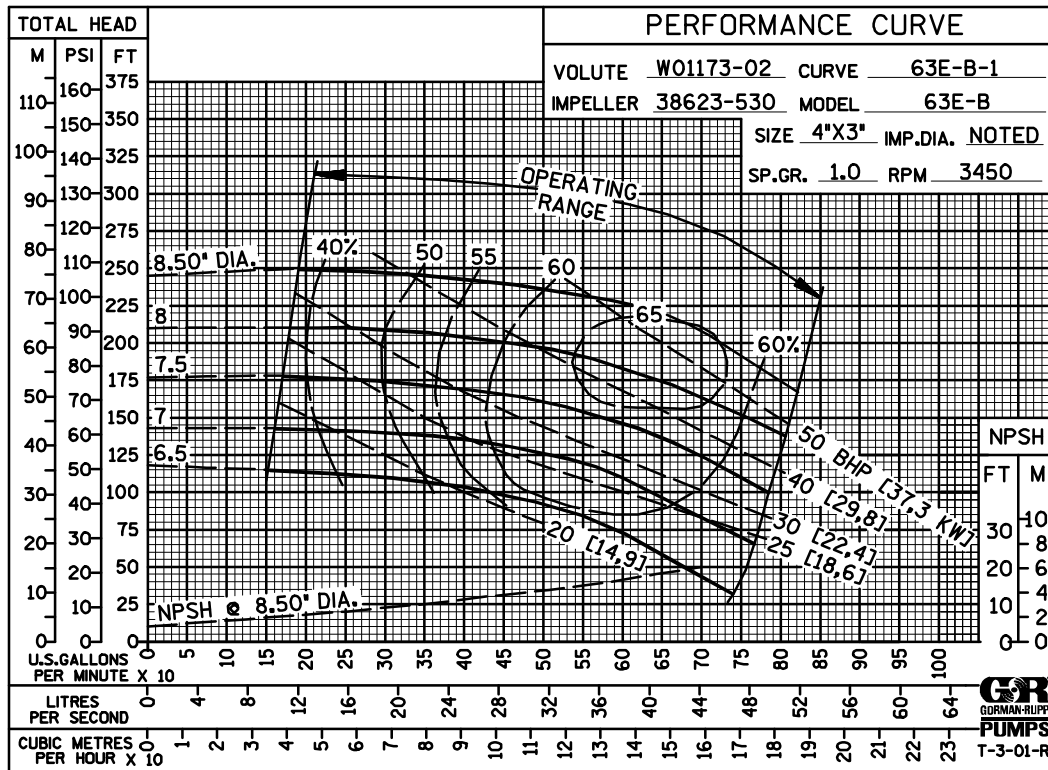
PERFORMANCE CURVES

The performance curves on the following page are based on 70° F (21° C) clear water (or corrected to .80 specific gravity) at sea level with minimum suction lift. Since pump installations are seldom identical, your performance may be different due to such factors as viscosity, specific gravity, elevation, temperature, and impeller trim.

If your pump serial number is followed by an "N", your pump is **NOT** a standard production model. Contact the Gorman-Rupp Company to verify performance or part numbers.



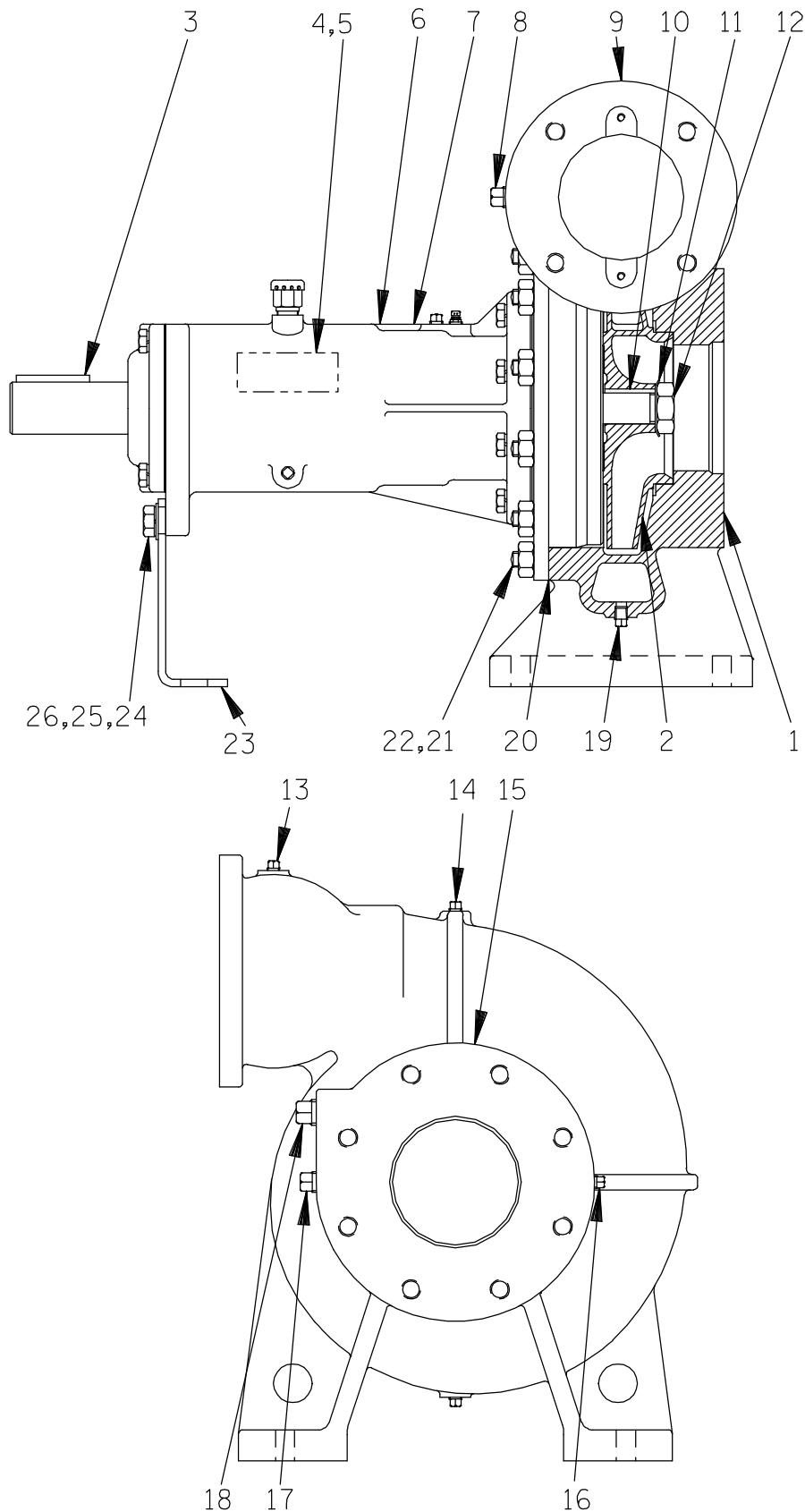
Pump speed and operating condition points must be within the continuous performance range shown on the curve(s).



(Based on Clear Water)

(Based on Petroleum Products)

Performance Curves – Model 63E31-B



THE GORMAN-RUPP COMPANY • MANSFIELD, OHIO

GORMAN-RUPP OF CANADA LIMITED • ST. THOMAS, ONTARIO, CANADA

Printed in U.S.A.

S/N 1116886N Up
PUMP ISSUE 1

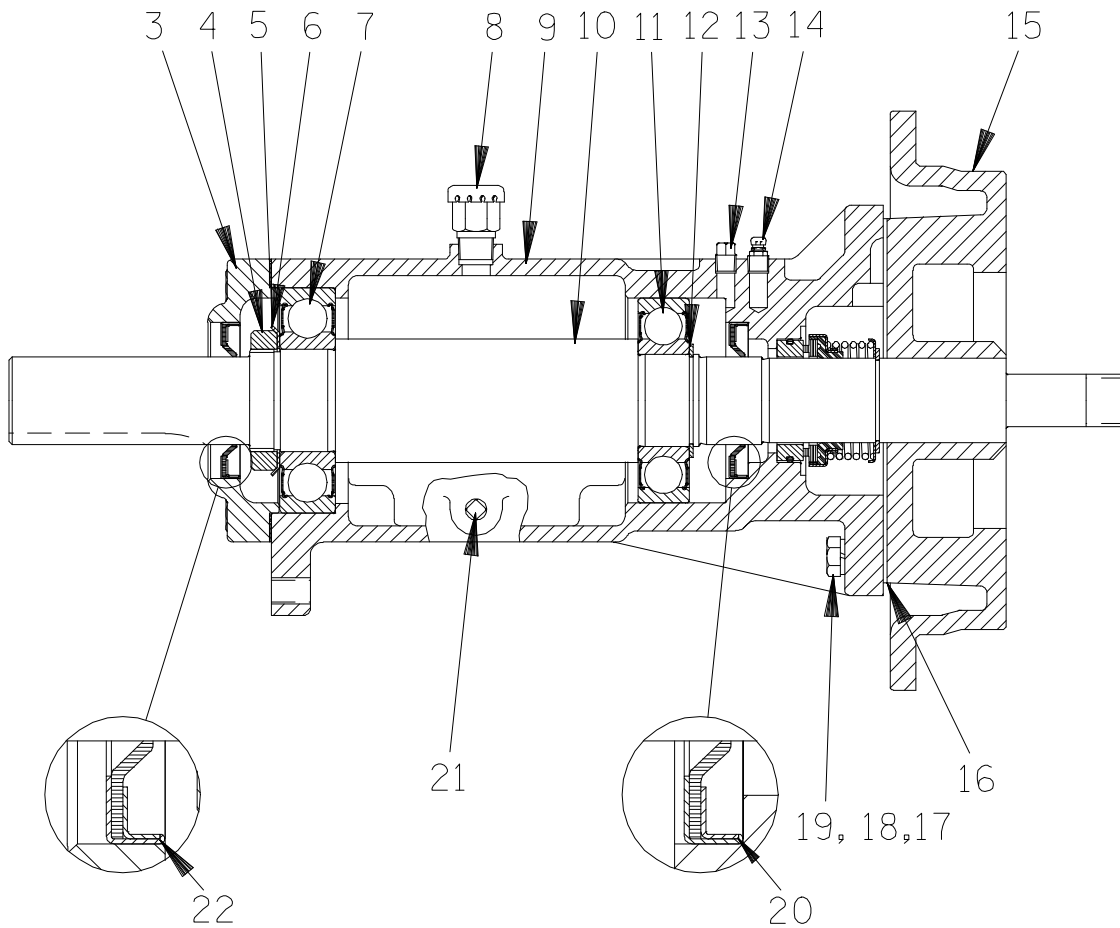
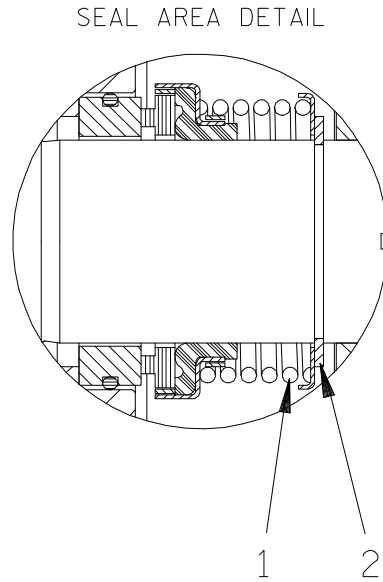
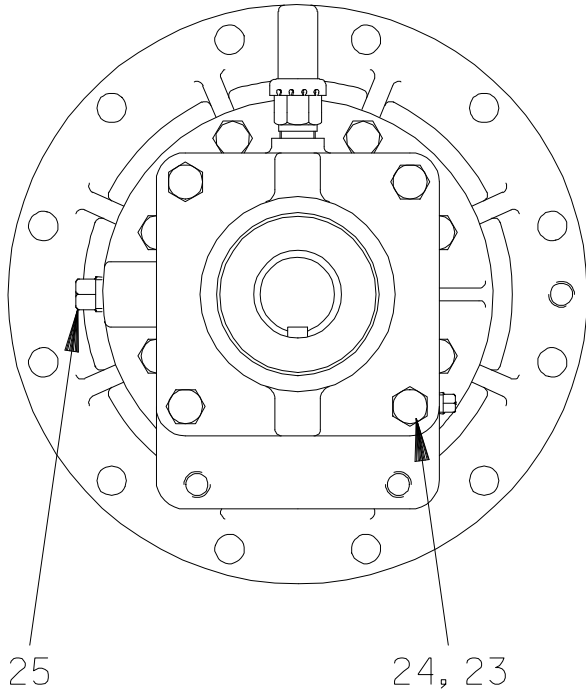
PARTS LIST
Pump Model 63E31-B

If your pump serial number is followed by an "N", your pump is **NOT** a standard production model. Contact the Gorman-Rupp Company to verify part numbers.

ITEM NO.	PART NAME	PART NUMBER	MAT'L CODE	QTY	ITEM NO.	PART NAME	PART NUMBER	MAT'L CODE	QTY
1	PUMP CASING	W01173-02	11010	1	18	PIPE PLUG	P08	15079	1
2 *	IMPELLER	38623-530	13048	1	19	PIPE PLUG	P02	15079	1
3 *	SHAFT KEY	N0611	15990	1	20 *	PUMP CASING GASKET	R12531	19060	1
4	NAME PLATE	2613ED	13990	1	21	STUD	C0807	15991	12
5	DRIVE SCREW	BM#04-03	15990	2	22	HEX NUT	D08	15991	12
6	LUBE DECAL	38816-081	----	1	23	BRG HSG SUPPORT	R12852-01	15990	1
7	BRG HOUSING ASSY	R12851-01	----	1	24	HEX HD CAPSCREW	B0805	15991	2
8	PIPE PLUG	P06	15079	1	25	LOCKWASHER	J08	15991	2
9	DISCHARGE STICKER	6588BJ	----	1	26	FLAT WASHER	K08	15991	2
10 *	IMPELLER KEY	N0403	15990	1		NOT SHOWN:			
11	IMPELLER LOCKWASHER	23962-519	----	1	* DISCH FLANGE GASKET	N14147	19060	1	
12	IMPELLER NUT	K75776	15111	1	* SUCT FLANGE GASKET	11589GA	19060	1	
13	PIPE PLUG	P02	15079	1	INSTRUCTION TAG	38817-011	----	1	
14	PIPE PLUG	P02	15079	1		OPTIONAL:			
15	SUCTION STICKER	6588AG	----	1	COMPANION FLANGE	K33850	----	1	
16	PIPE PLUG	P02	15079	1					
17	PIPE PLUG	P06	15079	1					

* INDICATES PARTS RECOMMENDED FOR STOCK

THE GORMAN-RUPP COMPANY • MANSFIELD, OHIO



THE GORMAN-RUPP COMPANY • MANSFIELD, OHIO

GORMAN-RUPP OF CANADA LIMITED • ST. THOMAS, ONTARIO, CANADA

Printed in U.S.A.

S/N 1116886N Up
PUMP ISSUE 1

PARTS LIST
R12851-01 Bearing Housing Assembly

ITEM NO.		PART NAME	PART NUMBER	MAT'L CODE	QTY
1	*	SEAL ASSEMBLY	25271-921	---	1
2		RETAINING RING	24124-243	---	1
3		BEARING CAP	R12770-02	10010	1
4		BEARING LOCK NUT	23962-011	---	1
5	*	BEARING CAP GASKET	N18938-01	18000	1
6		BRG LOCKWASHER	23962-511	---	1
7	*	OUTBOARD BEARING	23282-011	---	1
8		AIR VENT	S1703	---	1
9		BEARING HOUSING	W01172-03	11010	1
10	*	IMPELLER SHAFT	T08466-02	15010	1
11	*	INBOARD BEARING	23282-010	---	1
12		BEARING RET RING	24124-245	---	1
13		PIPE PLUG	P02	15079	1
14		AIR VENT FITTING	S2162	---	1
15		BODY COVER	T07826-04	11010	1
16	*	BODY COVER GASKET	N14144	18000	1
17		HEX HD CAPSCREW	B0605	15991	8
18		LOCKWASHER	J06	15991	8
19		DOWEL PIN	21133-066	---	2
20	*	OIL SEAL	25227-240	---	1
21		PIPE PLUG	P02	15079	1
22	*	OIL SEAL	25227-240	---	1
23		LOCKWASHER	J06	15991	4
24		HEX HD CAPSCREW	B0605	15991	4
25		PIPE PLUG	P06	15079	1

* INDICATES PARTS RECOMMENDED FOR STOCK

THE GORMAN-RUPP COMPANY • MANSFIELD, OHIO

4 of 4

GORMAN-RUPP OF CANADA LIMITED • ST. THOMAS, ONTARIO, CANADA Printed in U.S.A.

Page 60.3 E1.5

©1994 The Gorman-Rupp Company

05/05/94

Rev. A 05/26/10

**For U.S. and International Warranty Information,
Please Visit www.grpumps.com/warranty
or call:
U.S.: 419-755-1280
International: +1-419-755-1352**

**For Canadian Warranty Information,
Please Visit www.grcanada.com/warranty
or call:
519-631-2870**