

Use With: OM-03989  
MR-03991

PUBLICATION NUMBER PL-04072-02  
Pump Issue 2  
May 17, 1999



# PUMP MODEL RD2A31-BAR

**MANUAL  
PART 2 of 3**

**PARTS  
LIST  
WITH  
PERFORMANCE CURVE**

**THE GORMAN-RUPP COMPANY • MANSFIELD, OHIO**

[www.grpumps.com](http://www.grpumps.com)

**GORMAN-RUPP OF CANADA LIMITED • ST. THOMAS, ONTARIO, CANADA** Printed in U.S.A.

© Copyright by the Gorman-Rupp Company

Register your new  
Gorman-Rupp pump online at  
**[www.grpumps.com](http://www.grpumps.com)**

Valid serial number and e-mail address required.

**RECORD YOUR PUMP MODEL AND SERIAL NUMBER**

Please record your pump model and serial number in the spaces provided below. Your Gorman-Rupp distributor needs this information when you require parts or service.

Pump Model: \_\_\_\_\_

Serial Number: \_\_\_\_\_

## PERFORMANCE CURVE – SECTION A

### RECORDING MODEL AND SERIAL NUMBERS

Please record the pump model and serial number in the spaces provided below and in the separate Installation/Operation Manual accompanying your pump. Your Gorman-Rupp distributor needs this information when you require parts or service.

Pump Model: \_\_\_\_\_

Serial Number: \_\_\_\_\_

### WARRANTY INFORMATION

The pump warranty is provided as part of Gorman-Rupp's support program for customers who operate and maintain their equipment as described in this manual and other accompanying literature. Please note that should the equipment be abused or modified to change its performance beyond the original factory specifications, the warranty will become void and any claim will be denied.

### PERFORMANCE CURVES

The performance curves on the following page are based on 70° F (21° C) clear water at sea level, corrected to 0.80 specific gravity, with minimum suction lift. Since pump installations are seldom identical, your performance may be different due to such factors as viscosity, specific gravity, elevation, temperature, and impeller trim.

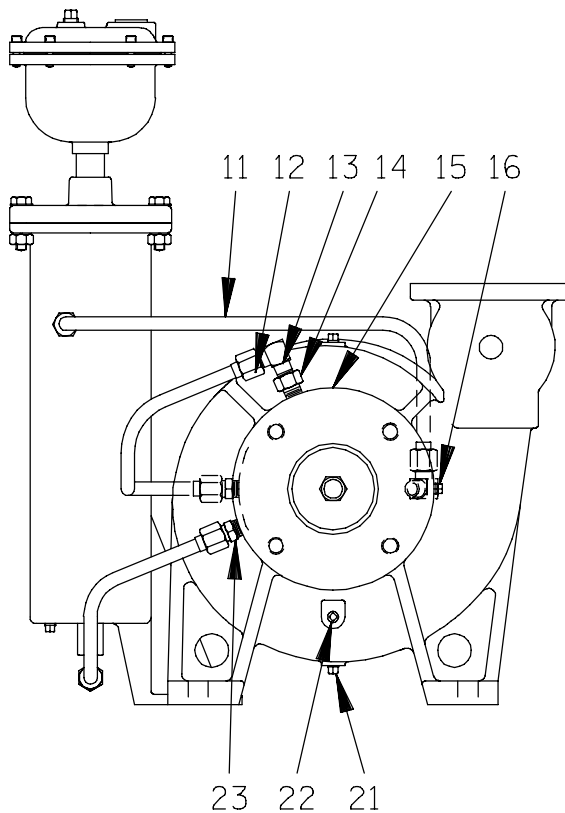
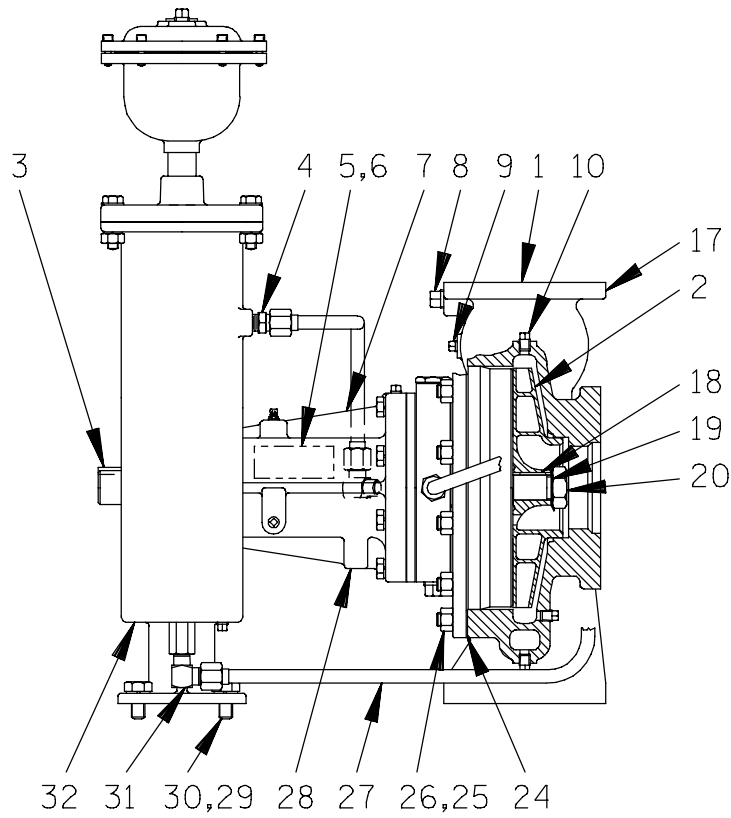
If your pump serial number is followed by an "N", your pump is **NOT** a standard production model. Contact the Gorman-Rupp Company to verify performance or part numbers.



Pump speed and operating condition points must be within the continuous performance range shown on the curve(s).

**This Page Intentionally Blank**





**THE GORMAN-RUPP COMPANY • MANSFIELD, OHIO**

GORMAN-RUPP OF CANADA LIMITED • ST. THOMAS, ONTARIO, CANADA

Printed in U.S.A.

S/N 1223795 Up  
PUMP ISSUE 2

**PARTS LIST**  
**Pump Model RD2A31—BAR**

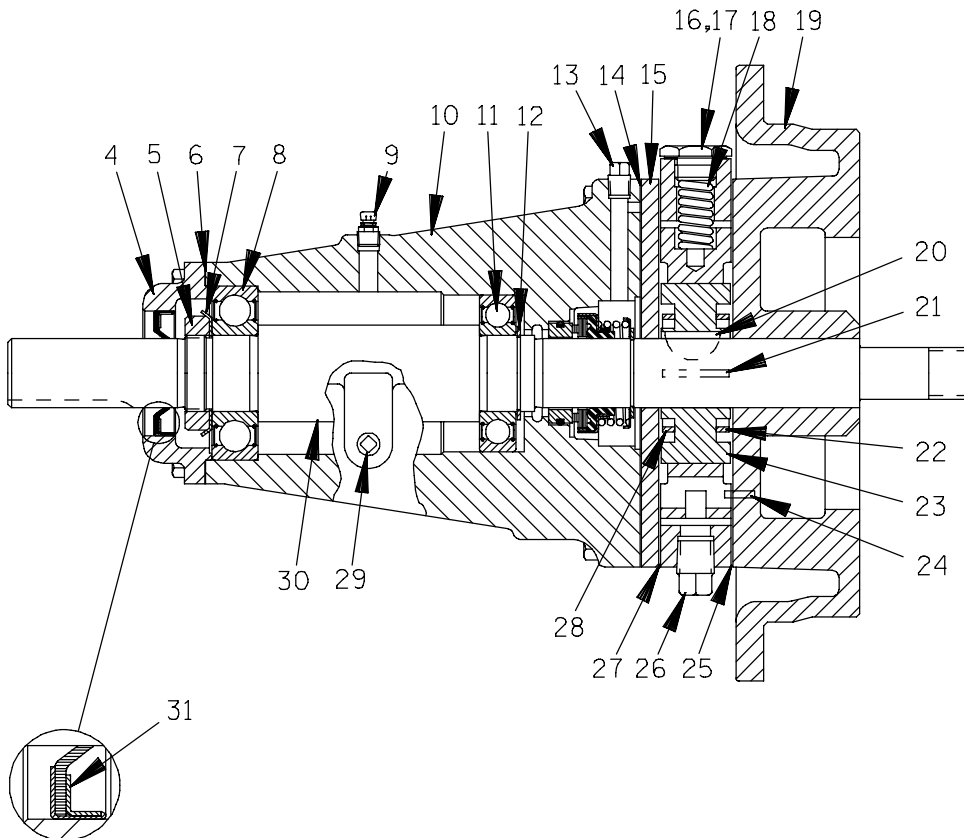
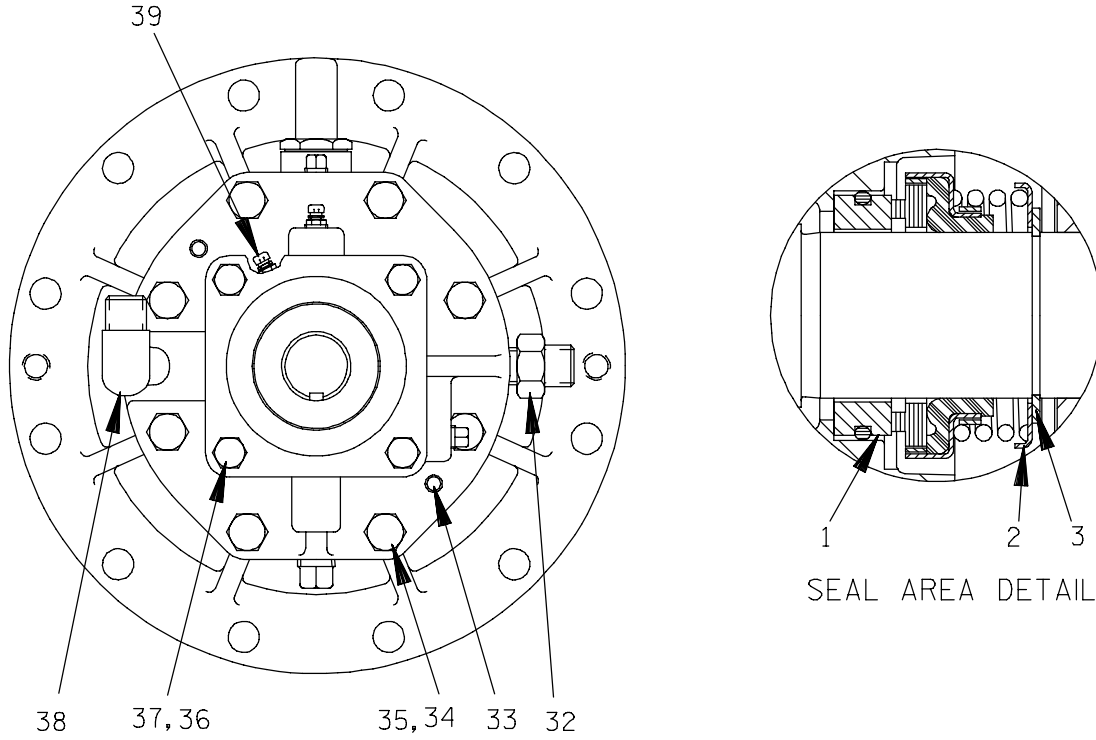
If your pump serial number is followed by an "N", your pump is **NOT** a standard production model. Contact the Gorman-Rupp Company to verify part numbers.

ITEM NO.	PART NAME	PART NUMBER	MAT'L CODE	QTY	ITEM NO.	PART NAME	PART NUMBER	MAT'L CODE	QTY
1	PUMP CASING	W01124-02	11010	1	22	PIPE PLUG	P02	15079	1
2 *	IMPELLER	38621-730	13048	1	23	CONNECTOR	25812-214	----	1
3 *	SHAFT KEY	N0406	15990	1	24 *	PUMP CASING GASKET	R12531	20000	1
4	CONNECTOR	25812-214	----	1	25	STUD	C0807	15991	12
5	NAME PLATE	2613DZ	13990	1	26	HEX NUT	D08	15991	12
6	DRIVE SCREW	BM#04-03	17000	2	27	RETURN TUBE	46335-083	----	1
7	LUBE DECAL	38816-081	----	1	28	BRG HOUSING ASSY	44143-101	----	1
8	PIPE PLUG	P06	15079	1	29	HEX HD CAPSCREW	B0805	15991	2
9	PIPE PLUG	P02	15079	1	30	LOCKWASHER	J08	15991	2
10	PIPE PLUG	P02	15079	1	31	MALE ELBOW	25812-011	----	1
11	DISCH TUBE ASSY	46335-057	----	1	32 ●	AIR RELEASE VALVE	GRP33-06A	----	1
12	SUCT TUBE ASSY	46335-072	----	1	NOT SHOWN:				
13	MALE ELBOW	25812-011	----	1	* DISCH CHK VALVE GSKT	11589GA	18000	1	
14	STRAINER	26841-094	----	1	* DISCH FLANGE GASKET	N14226	18000	1	
15	SUCTION STICKER	6588AG	----	1	INSTRUCTION TAG	38817-011	----	1	
16	PIPE PLUG	P02	15079	1	ROTATION DECAL	2613M	----	1	
17	DISCHARGE STICKER	6588BJ	----	1	OPTIONAL:				
18 *	IMPELLER KEY	K79328-23	15990	1	COMPANION FLANGES (SUCT AND DISCH)				
19	LOCKWASHER	23962-506	----	1	-COMPANION FLG KIT	K33849	----	1	
20	IMPELLER NUT	K75775	15111	1	STEEL TUBING KIT	48263-502	----	1	
21	PIPE PLUG	P02	15079	1					

\* INDICATES PARTS RECOMMENDED FOR STOCK

† ALL ROTO-PRIME<sup>™</sup> IMPELLERS ARE TRIMMED.

● SEE ACCOMPANYING LITERATURE FOR INDIVIDUAL PARTS, MAINTENANCE AND REPAIR.



**THE GORMAN-RUPP COMPANY • MANSFIELD, OHIO**

GORMAN-RUPP OF CANADA LIMITED • ST. THOMAS, ONTARIO, CANADA

Printed in U.S.A.



S/N 1223795 Up  
PUMP ISSUE 2

**PARTS LIST**  
**44143—101 Bearing Housing Assembly**

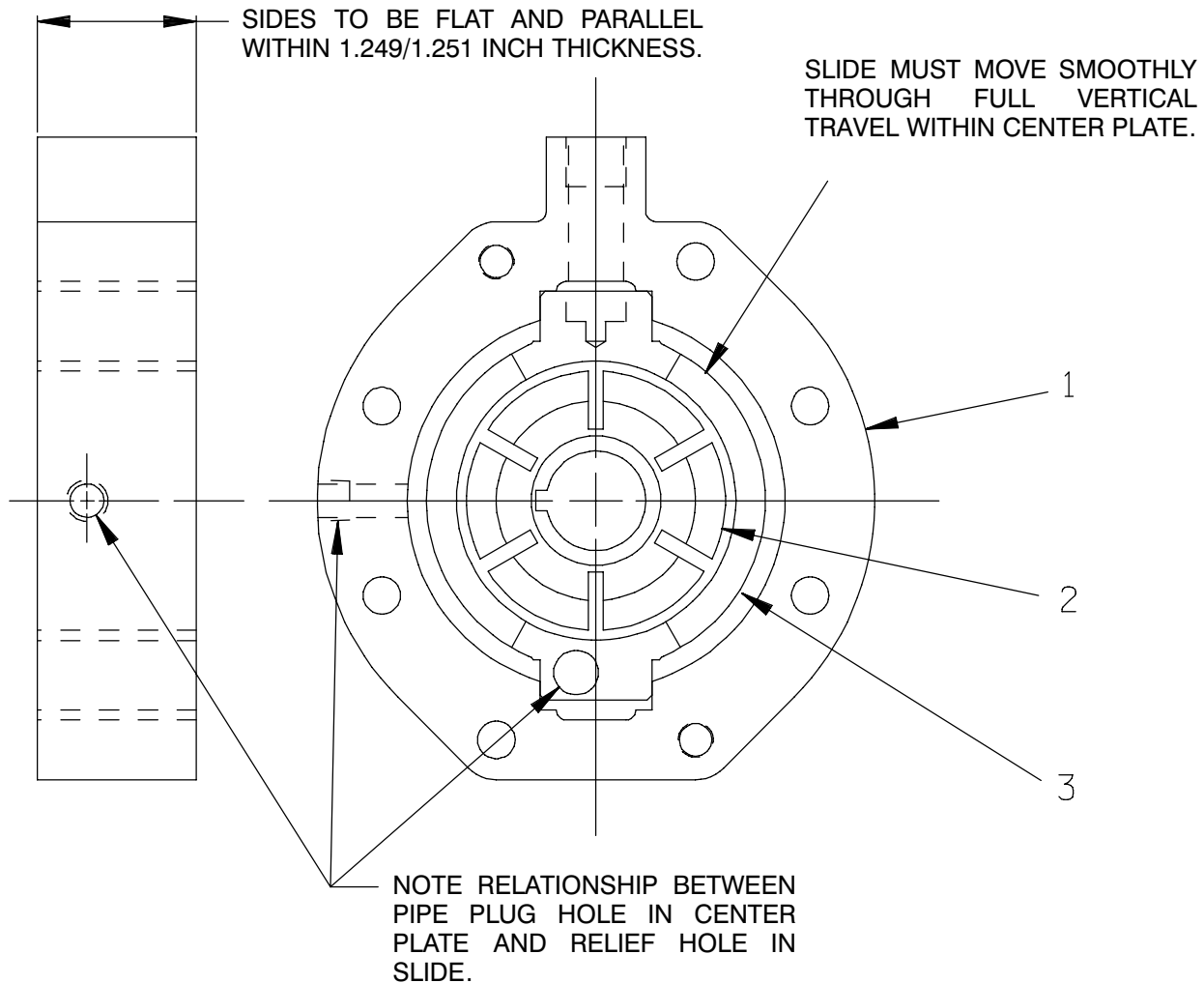
ITEM NO.	PART NAME	PART NUMBER	MAT'L CODE	QTY	ITEM NO.	PART NAME	PART NUMBER	MAT'L CODE	QTY
1 *	SEAL ASSEMBLY	25271—192	----	1	26	PIPE PLUG	P06	15079	1
2 *	SPRING CTR WASHER	25273—266	----	1	27 *	CENTER PLATE GASKET	N14145	18010	1
3	SEAL RETAINING RING	S700	----	1	28	BLADE SPACER	K74031	15030	1
4	BEARING CAP	N14130	10010	1	29	PIPE PLUG	P02	15079	1
5	BEARING LOCK NUT	S301	----	1	30 *	IMPELLER SHAFT	T07888	15010	1
6 *	BEARING CAP GASKET	K74033	18000	1	31 *	OIL SEAL	25227—230	----	1
7	TAB WASHER	S302	----	1	32	CONNECTOR	25812—214	----	1
8 *	OUTBOARD BEARING	23282—008	----	1	33	DOWEL PIN	21133—073	----	2
9	AIR VENT	S2162	----	1	34	HEX HD CAPSCREW	B0612	15991	8
10	BEARING HOUSING	T02990	11010	1	35	LOCKWASHER	J06	15991	8
11 *	BALL BEARING	23257—012	----	1	36	HEX HD CAPSCREW	B0504	15991	4
12	BEARING RET RING	S248	----	1	37	LOCKWASHER	J05	15991	4
13	PIPE PLUG	P02	15079	1	38	MALE ELBOW	25812—011	----	1
14 *	SPACER PLATE GASKET	N14144	18000	1	39	AIR VENT	S2162	----	1
15	SPACER PLATE	N14129	11010	1		OPTIONAL:			
16	PRESS REG SPRING CAP	K68064	15991	1		SST IMPELLER SHAFT	T07888	17080	1
17 *	SPRING CAP GASKET	K86067	----	1		● OIL LUBE BEARING	44143—109	----	1
18 *	PRESS REG SPRING	K76301	----	1		HOUSING ASSEMBLY			
19	BODY COVER	T07826—02	11010	1		—INBOARD BEARING	S310	----	1
20 *	ROTOR WOODRUFF KEY	K61559	15990	1		—OUTBOARD BEARING	23275—008	----	1
21 *	ROTOR BLADE	K79300—20	----	6		—OIL CUP	26713—051	----	1
22	ROTOR BLADE SPACER	K74031	15030	1		GROUP GRIND WITH C.I. ROTOR			
23	GROUP GRIND	42212—013	----	1		—C.I. GROUP GRIND	LK05266	----	1
24 *	LOCATING PIN	21154—666	----	1		TEFLON SEAL	25271—743	----	1
25 †	CENTER PLATE GASKET	N14145	18010	2					

\* INDICATES PARTS RECOMMENDED FOR STOCK

† 2 GASKETS REQUIRED WHEN ROTOR OR SLIDE IS THICKER THAN CENTER PLATE.

● ALL OTHER COMPONENTS SAME AS STANDARD BEARING HOUSING ASSEMBLY.

**THE GORMAN-RUPP COMPANY ● MANSFIELD, OHIO**



**PARTS LIST**  
**42212-013 Group Grind**

ITEM NO.	PART NAME	PART NUMBER	MAT'L CODE	QTY
1	CENTER PLATE	NOT AVAILABLE	---	1
2	ROTOR	NOT AVAILABLE	---	1
3	SLIDE	NOT AVAILABLE	---	1

**NOTE:** THE GROUP GRIND MUST BE REPLACED AS A COMPLETE UNIT: INDIVIDUAL PIECE PARTS ARE NOT SOLD SEPARATELY.

**THE GORMAN-RUPP COMPANY • MANSFIELD, OHIO**

GORMAN-RUPP OF CANADA LIMITED • ST. THOMAS, ONTARIO, CANADA

Printed in U.S.A.

**For U.S. and International Warranty Information,  
Please Visit [www.grpumps.com/warranty](http://www.grpumps.com/warranty)  
or call:  
U.S.: 419-755-1280  
International: +1-419-755-1352**

**For Canadian Warranty Information,  
Please Visit [www.grcanada.com/warranty](http://www.grcanada.com/warranty)  
or call:  
519-631-2870**