



**PUMP MODEL  
RD4A31 – BAR**

**MANUAL  
PART 2 of 3**

**PARTS  
LIST  
WITH  
PERFORMANCE CURVE**

**THE GORMAN-RUPP COMPANY • MANSFIELD, OHIO**

GORMAN-RUPP OF CANADA LIMITED • ST. THOMAS, ONTARIO, CANADA Printed in U.S.A.

©Copyright by the Gorman-Rupp Company



## PERFORMANCE CURVE – SECTION A

### RECORDING MODEL AND SERIAL NUMBERS

Please record the pump model and serial number in the spaces provided below and in the separate Installation/Operation Manual accompanying your pump. Your Gorman-Rupp distributor needs this information when you require parts or service.

Pump Model: \_\_\_\_\_

Serial Number: \_\_\_\_\_

### WARRANTY INFORMATION

The pump warranty is provided as part of Gorman-Rupp's support program for customers who operate and maintain their equipment as described in this manual and other accompanying literature. Please note that should the equipment be abused or modified to change its performance beyond the original factory specifications, the warranty will become void and any claim will be denied.

### PERFORMANCE CURVES

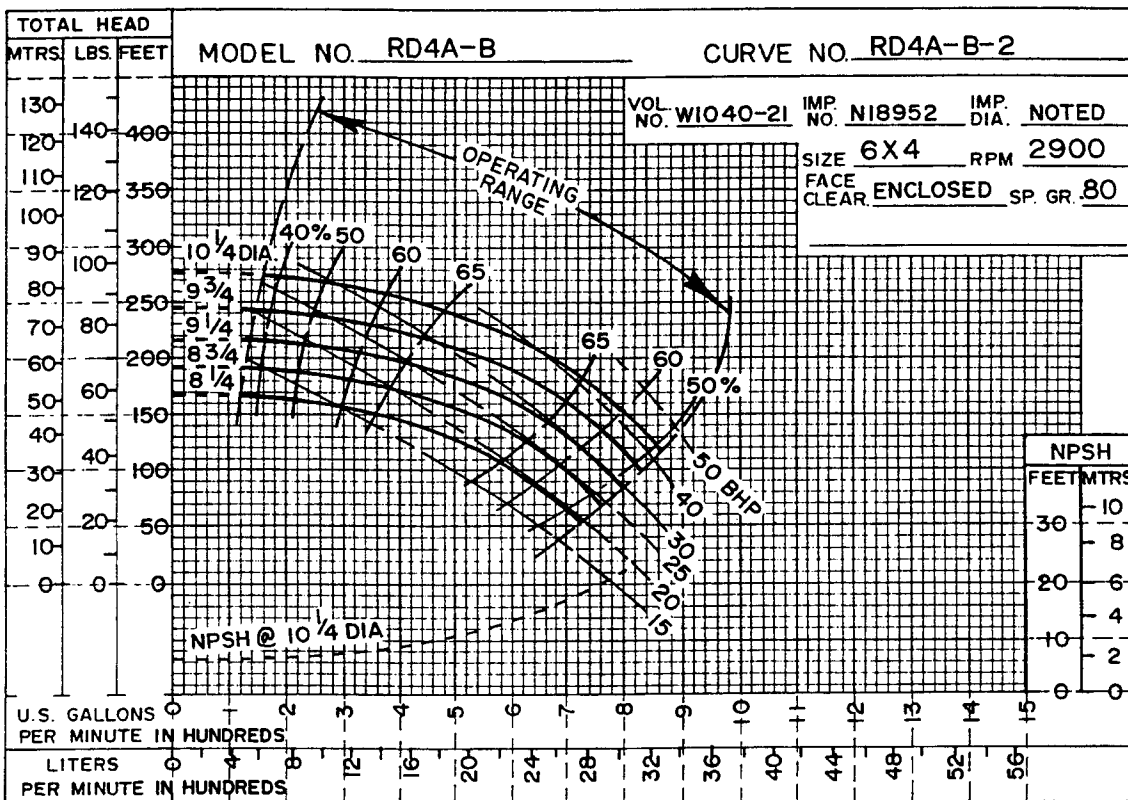
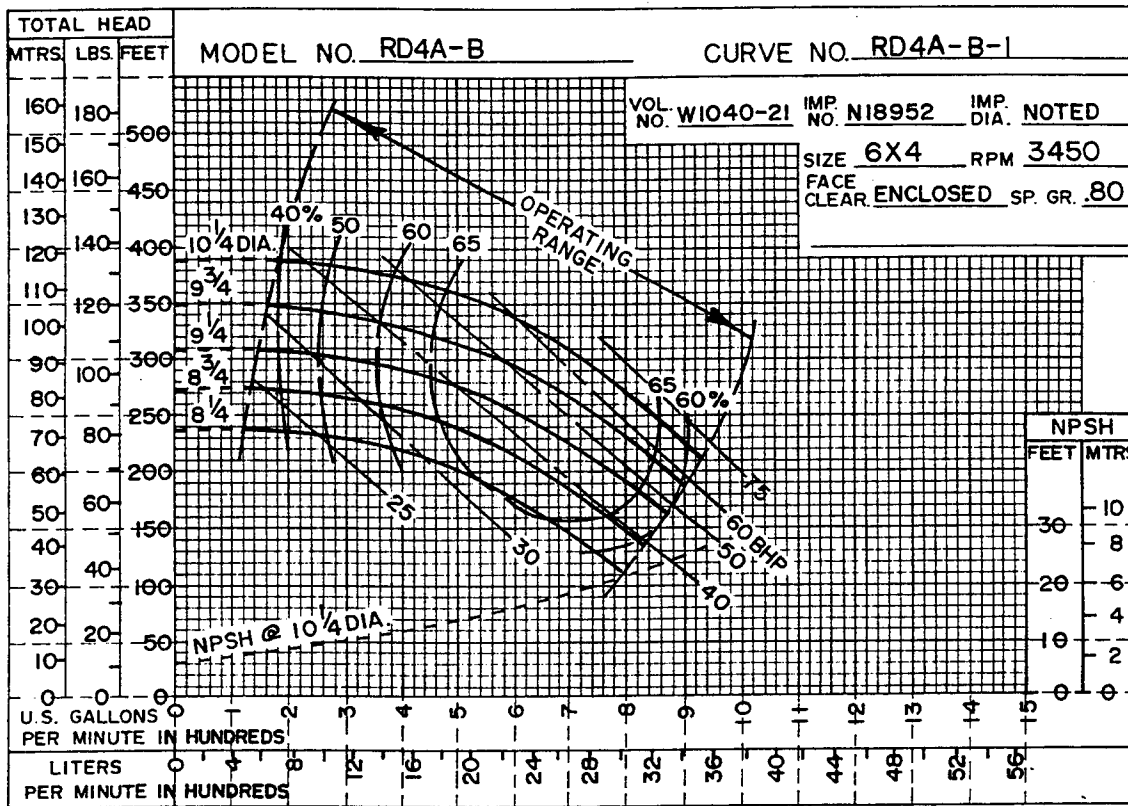
The performance curves on the following page are based on 70° F (21° C) clear water at sea level, corrected to 0.80 specific gravity, with minimum suction lift. Since pump installations are seldom identical, your performance may be different due to such factors as viscosity, specific gravity, elevation, temperature, and impeller trim.

If your pump serial number is followed by an "N", your pump is **NOT** a standard production model. Contact the Gorman-Rupp Company to verify performance or part numbers.

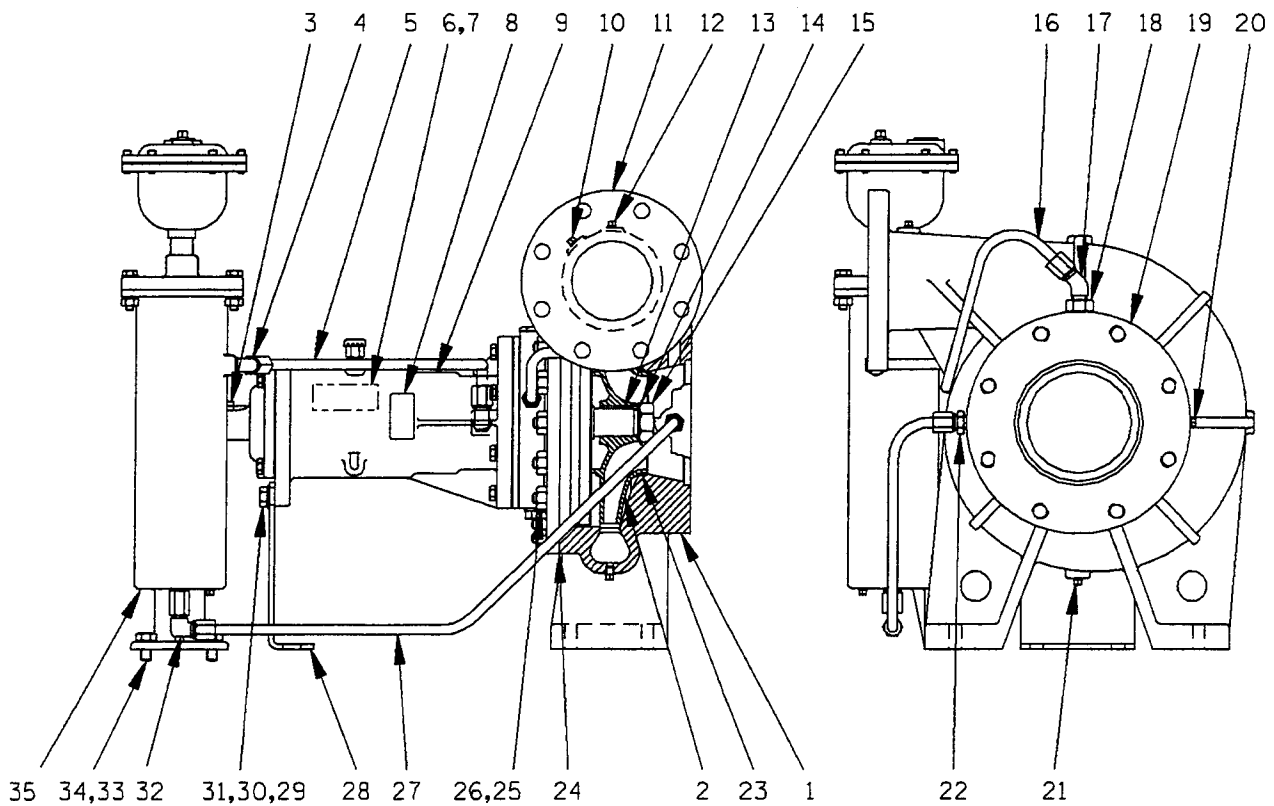


Pump speed and operating condition points must be within the continuous performance range shown on the curve(s).

**This Page Intentionally Blank**



Performance Curve - Model RD4A31-BAR



**S/N 1056752 Up  
PUMP ISSUE 1**

**PARTS LIST  
Pump Model RD4A31 – BAR**

If your pump serial number is followed by an "N", your pump is NOT a standard production model. Contact the Gorman-Rupp Company to verify part numbers.

ITEM NO.	PART NAME	PART NUMBER	MAT'L CODE	QTY	ITEM NO.	PART NAME	PART NUMBER	MAT'L CODE	QTY
1	PUMP CASING	W01040-21	11010	1	25	STUD	C0807	15991	18
2 *	IMPELLER	N18952	13040	1	26	HEX NUT	D08	15991	18
3 *	SHAFT KEY	N0611	15990	1	27	RETURN TUBE ASSY	T07256	----	1
4	MALE ELBOW	25812-161	----	1	28	BEARING HSG SUPPORT	R12852-02	15990	1
5	DISCH TUBE ASSY	R12175	----	1	29	HEX HD CAPSCREW	B0805	15991	2
6	NAME PLATE	2613DZ	13990	1	30	LOCKWASHER	J08	15991	2
7	DRIVE SCREW	BM#04-03	15990	2	31	FLAT WASHER	K08	15991	2
8	LUBE DECAL	38816-074	----	1	32	MALE ELBOW	25812-011	----	1
9	BRG HOUSING ASSY	44143-106	----	1	33	HEX HD CAPSCREW	B0805	15991	2
10	PIPE PLUG	P02	15079	1	34	LOCKWASHER	J08	15991	2
11	DISCHARGE STICKER	6588BJ	----	1	35 ●	AIR RELEASE VALVE	GRP33-06A	----	1
12	PIPE PLUG	P02	15079	1					
13 *	IMPELLER KEY	K79330-23	15990	1		NOT SHOWN:			
14	LOCKWASHER	S302	----	1		* DISCH FLANGE GASKET	N14147	18000	1
15	IMPELLER NUT	K76645	15111	1		* SUCTION FLANGE GSMT	1679G	18000	1
16	SUCTION TUBE ASSY	R11643	----	1		INSTRUCTION TAG	38817-011	----	1
17	MALE ELBOW	25812-161	----	1		ROTATION DECAL	2613M	----	1
18	STRAINER	26841-074	----	1		OPTIONAL:			
19	SUCTION STICKER	6588AG	----	1		DISCHARGE CHECK VALVE			
20	PIPE PLUG	P02	15079	1		-CHECK VALVE	26642-205	----	1
21	PIPE PLUG	P02	15079	1		-CHECK VALVE GSMT	K79206-29	----	1
22	MALE CONNECTOR	25812-214	----	1		-HEX HD CAPSCREW	B1011	15991	8
23 †	WEAR RING	NOT AVAILABLE		2		-HEX NUT	D10	15991	8
24 *	PUMP CASING GASKET	R11618	20000	1		BRONZE IMPELLER	N18952	14150	1

\* INDICATES PARTS RECOMMENDED FOR STOCK

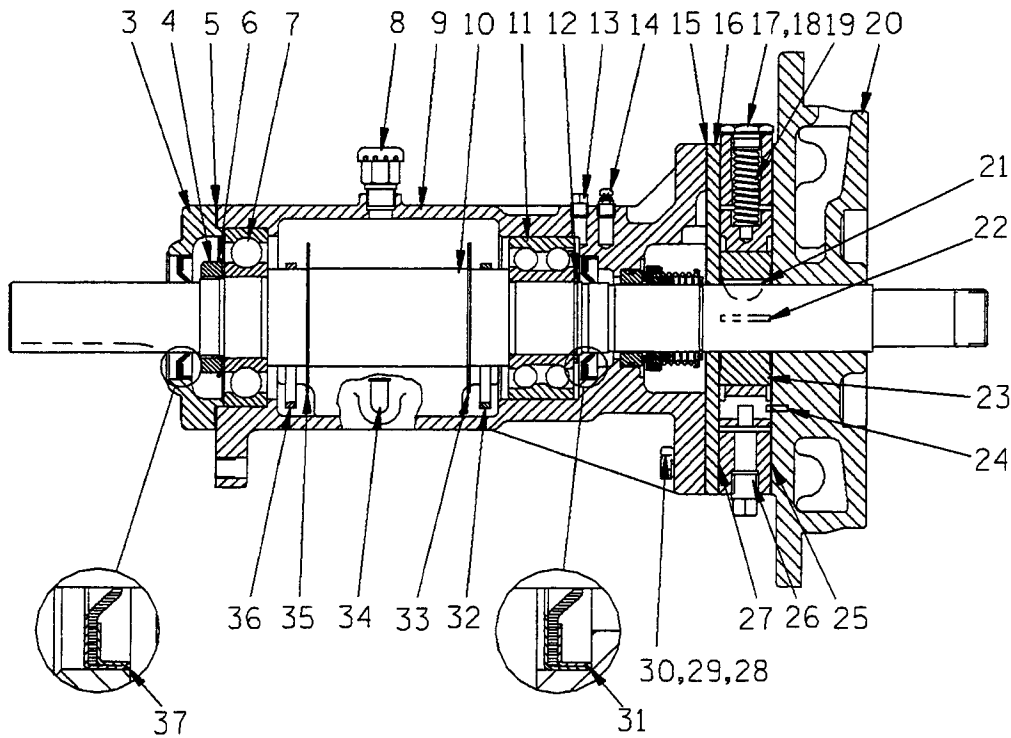
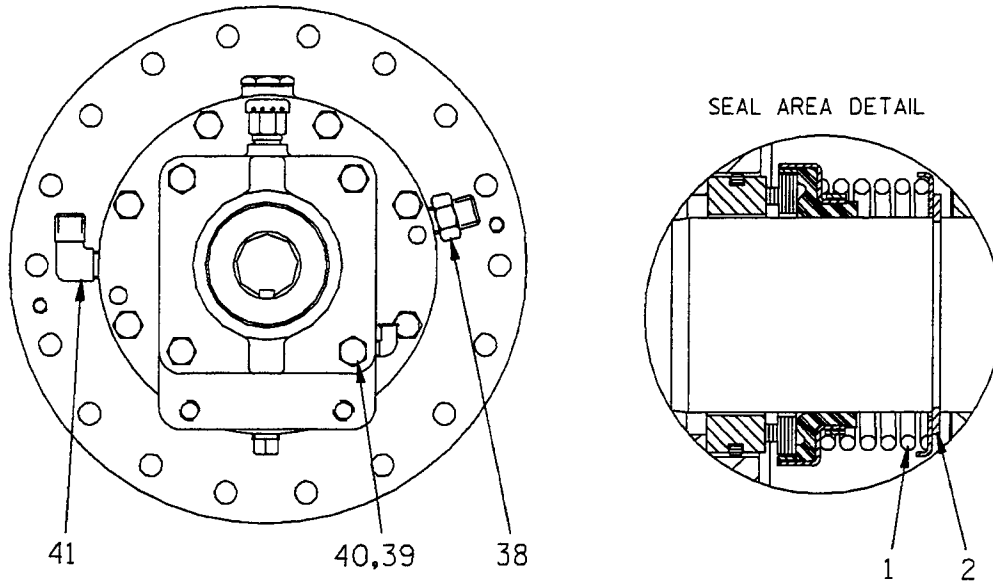
Above Serial Numbers Do Not Apply To Pumps Made In Canada.

CANADIAN SERIAL NO. .... AND UP

† ALL ROTO-PRIME® IMPELLERS ARE TRIMMED AND INCLUDE WEAR RINGS AND GROOVE PINS. WEAR RINGS ARE NOT SOLD SEPARATELY.

● SEE ACCOMPANYING LITERATURE FOR INDIVIDUAL PARTS, MAINTENANCE AND REPAIR.

**THE GORMAN-RUPP COMPANY ● MANSFIELD, OHIO**



**THE GORMAN-RUPP COMPANY • MANSFIELD, OHIO**

GORMAN-RUPP OF CANADA LIMITED • ST. THOMAS, ONTARIO, CANADA

Printed in U.S.A.



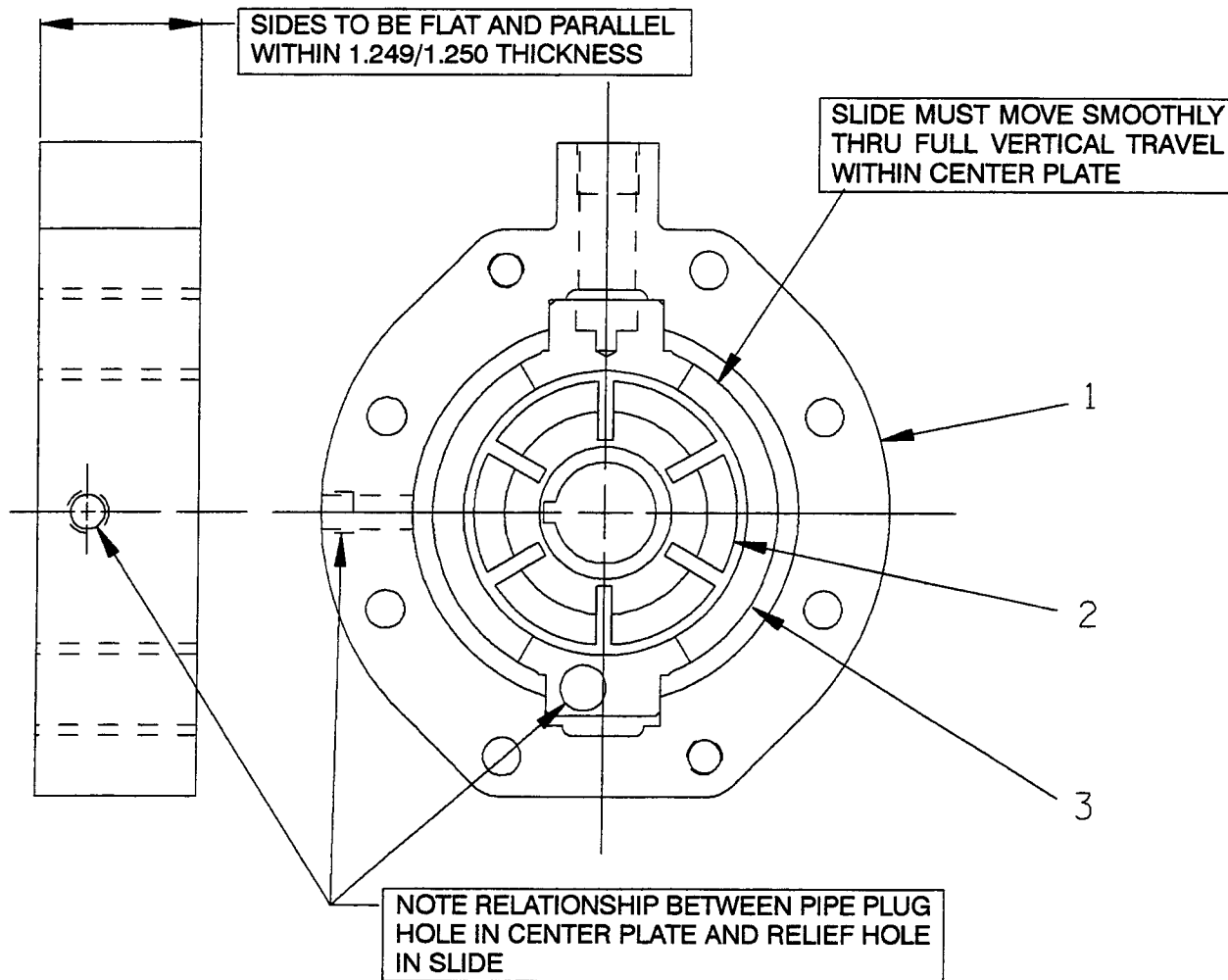
S/N 1056752 Up  
PUMP ISSUE 1

**PARTS LIST**  
**44143–106 Bearing Housing Assembly**

ITEM NO.	PART NAME	PART NUMBER	MAT'L CODE	QTY	ITEM NO.	PART NAME	PART NUMBER	MAT'L CODE	QTY
1 *	SEAL ASSEMBLY	25271-921	---	1	24 *	LOCATING PIN	21154-666	---	1
2	SEAL RETAINING RING	24124-243	---	1	25 †	CENTER PLATE GASKET	R10150	18010	2
3	BEARING CAP	R12770-02	10010	1	26	PIPE PLUG	P06	15079	1
4	BEARING LOCK NUT	23962-011	---	1	27 *	CENTER PLATE GASKET	R10150	18010	1
5 *	BEARING CAP GASKET	N18938-01	18000	1	28	HEX HD CAPSCREW	B0612	15991	8
6	TAB WASHER	23962-511	---	1	29	LOCKWASHER	J06	15991	8
7 *	OUTBOARD BEARING	23275-211	---	1	30	DOWEL PIN	21133-113	---	2
8	AIR VENT	S1703	---	1	31 *	OIL SEAL	25227-240	---	1
9	BEARING HOUSING	W01172-04	11010	1	32	SLINGER RING	K86483	15030	1
10 *	IMPELLER SHAFT	T08623-02	15010	1	33	SLINGER RING STOP	K76632-01	---	1
11 *	BALL BEARING	23421-410	---	1	34	OILER	26713-054	---	1
12	BEARING RET RING	24124-245	---	1	35	SLINGER RING STOP	K76632-01	---	1
13	PIPE PLUG	P02	15079	1	36	SLINGER RING	K86483	15030	1
14	AIR VENT	S2162	---	1	37 *	OIL SEAL	25227-240	---	1
15 *	SPACER PLATE GASKET	R12923	18000	1	38	CONNECTOR	25812-214	---	1
16	SPACER PLATE	R12771-02	11010	1	39	HEX HD CAPSCREW	B0605	15991	4
17	PRESS REG SPRING CAP	K68064	15991	1	40	LOCKWASHER	J06	15991	4
18 *	SPRING CAP GASKET	K86067	---	1	41	MALE ELBOW	25812-011	---	1
19 *	PRESS REG SPRING	K82659	---	1		OPTIONAL:			
20	BODY COVER	T06762-21	11010	1		SST IMPELLER SHAFT	T08623-02	17080	1
21 *	ROTOR WOODRUFF KEY	K61559	15990	1		TEFLON SEAL ASSY	25271-743	---	1
22 *	ROTOR BLADE	K79300-22	---	6		GROUP GRIND WITH C.I. ROTOR			
23	GROUP GRIND	42212-015	---	1		- C.I. GROUP GRIND	LK5411	---	1

\* INDICATES PARTS RECOMMENDED FOR STOCK

† 2 GASKETS REQUIRED WHEN ROTOR OR SLIDE IS THICKER THAN CENTER PLATE.



**PARTS LIST**  
**42212-015 Group Grind**

ITEM NO.	PART NAME	PART NUMBER	MAT'L CODE	QTY
1	CENTER PLATE	NOT AVAILABLE	---	1
2	ROTOR	NOT AVAILABLE	---	1
3	SLIDE	NOT AVAILABLE	---	1

**NOTE:** THE GROUP GRIND MUST BE REPLACED AS A COMPLETE UNIT. INDIVIDUAL PIECE PARTS ARE NOT SOLD SEPARATELY.

**THE GORMAN-RUPP COMPANY • MANSFIELD, OHIO**



**For U.S. and International Warranty Information,  
Please Visit [www.grpumps.com/warranty](http://www.grpumps.com/warranty)  
or call:  
U.S.: 419-755-1280  
International: +1-419-755-1352**

**For Canadian Warranty Information,  
Please Visit [www.grcanada.com/warranty](http://www.grcanada.com/warranty)  
or call:  
519-631-2870**