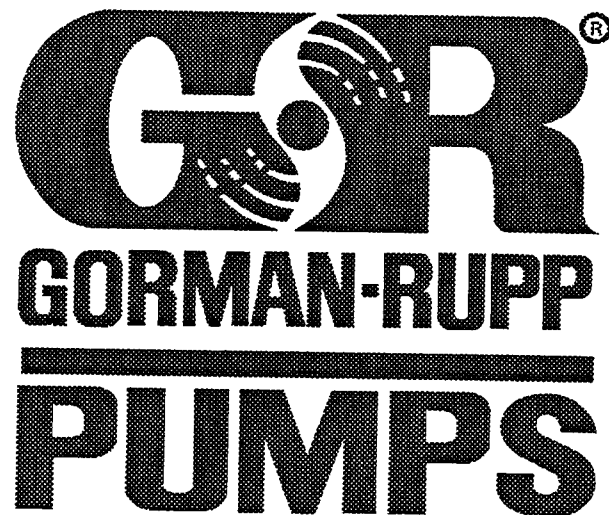


AC

Use With: OM-04151
MR-04269

PUBLICATION NUMBER PL-04184-04
Pump Issue 4
February 2, 1995
Supersedes: OM-01735-04



PUMP MODEL S3C1 230V 1P

MANUAL
PART 2 of 3

PARTS
LIST

WITH
PERFORMANCE CURVE

THE GORMAN-RUPP COMPANY • MANSFIELD, OHIO

GORMAN-RUPP OF CANADA LIMITED • ST. THOMAS, ONTARIO, CANADA Printed in U.S.A.

©Copyright by the Gorman-Rupp Company

PERFORMANCE CURVE – SECTION A

RECORDING MODEL AND SERIAL NUMBERS

Please record the pump model and serial number in the spaces provided below and in the separate Installation/Operation Manual accompanying your pump. Your Gorman-Rupp distributor needs this information when you require parts or service.

Pump Model: _____

Serial Number: _____

WARRANTY INFORMATION

The pump warranty is provided as part of Gorman-Rupp's support program for customers who operate and maintain their equipment as described in this manual and other accompanying literature. Please note that should the equipment be abused or modified to change its performance beyond the original factory specifications, the warranty will become void and any claim will be denied.

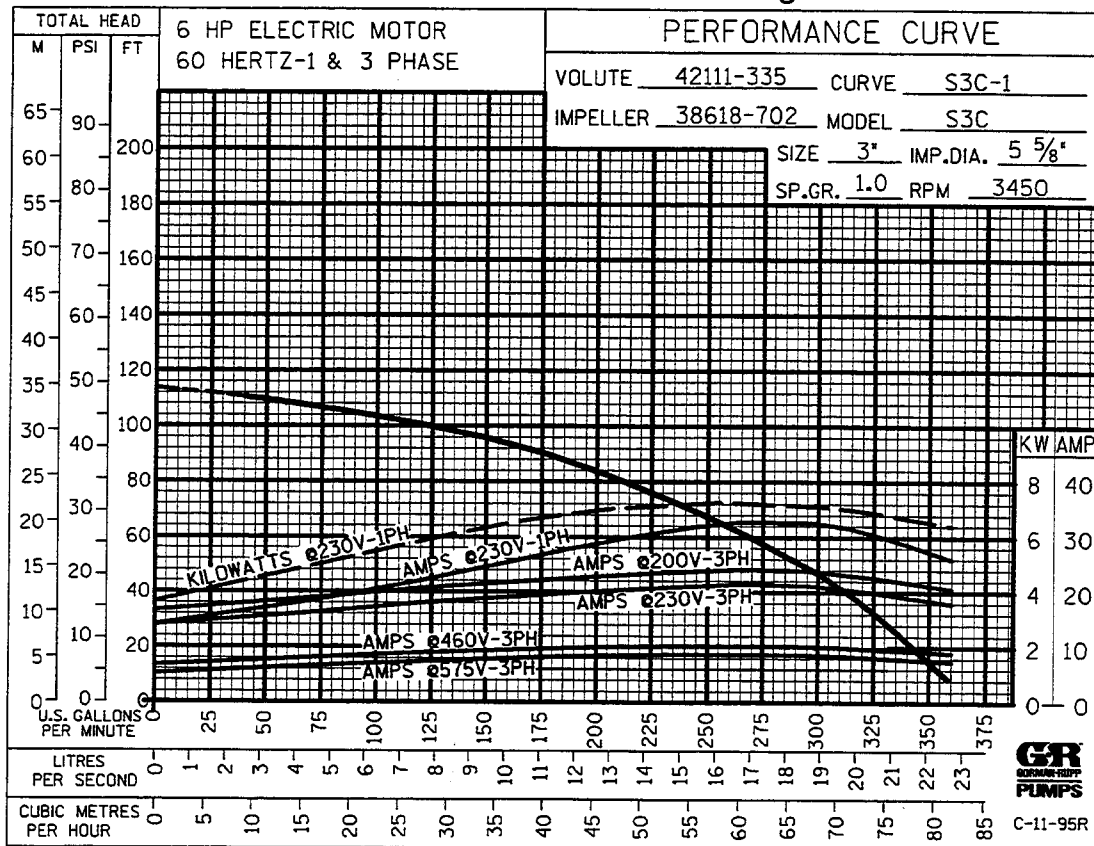
PERFORMANCE CURVES

The performance curves on the following page are based on 70° F (21° C) clear water at sea level. Since pump installations are seldom identical, your performance may be different due to such factors as viscosity, specific gravity, elevation, temperature, and impeller trim.

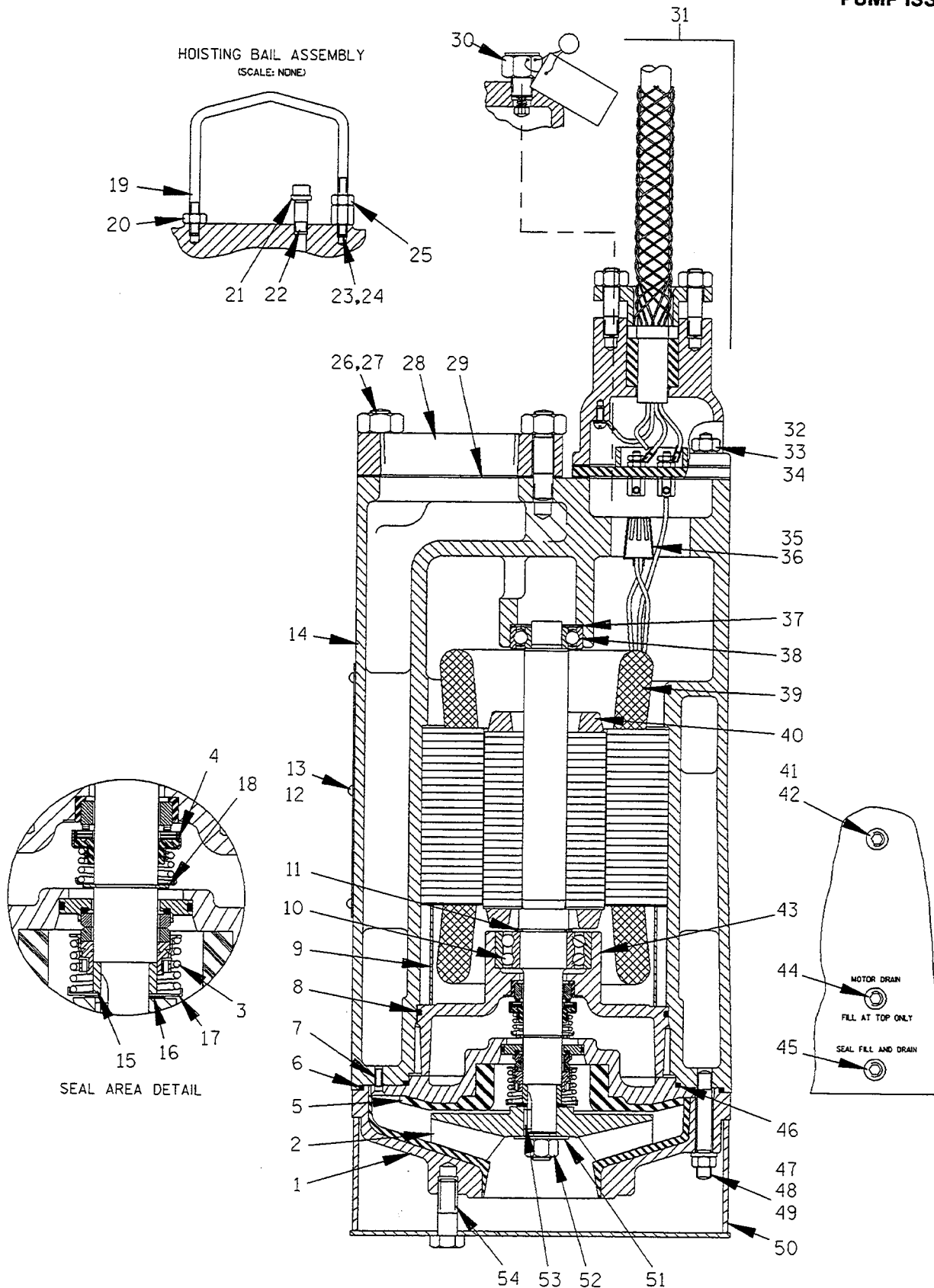
If your pump serial number is followed by an "N", your pump is **NOT** a standard production model. Contact the Gorman-Rupp Company to verify performance or part numbers.



Pump speed and operating condition points must be within the continuous performance range shown on the curve(s).



Performance Curve – Model S3C1 230V 1P



THE GORMAN-RUPP COMPANY • MANSFIELD, OHIO

GORMAN-RUPP OF CANADA LIMITED • ST. THOMAS, ONTARIO, CANADA Printed In U.S.A.

©Copyright by the Gorman-Rupp Company

**S/N 861279 Up
PUMP ISSUE 4**

If your pump serial number is followed by an "N", your pump is **NOT** a standard production model. Contact the Gorman-Rupp Company to verify part numbers.

ITEM NO.	PART NAME	PART NUMBER	MAT'L CODE	QTY	ITEM NO.	PART NAME	PART NUMBER	MAT'L CODE	QTY
1	SUCTION HEAD ASSY	42111-335	24010	1	38 *	UPPER BALL BEARING	S1044	-----	1
2 *	IMPELLER	38618-702	11060	1	39	STATOR	47113-860	-----	1
3 *	LOWER SEAL ASSY	25277-345	-----	1	40 *	ROTOR & SHAFT ASSY	47112-805	-----	1
4 *	UPPER SEAL ASSY	S1832	-----	1	41	ALLEN HD SETSCREW	GA0603	15990	1
5	SEAL PLATE ASSY	42111-066	24010	1	42	SOCKET HD PIPE PLUG	PC04	17000	1
6 *	MTR HSG O-RING	25152-270	-----	1	43	INTERMEDIATE	38311-803	13040	1
7	FLT HD MACHINE SCREW	Y#10-03	17000	2	44	MTR CAVITY DRAIN PLUG	PC04	17000	1
8 *	INTERMEDIATE O-RING	25152-258	-----	1	45	SEAL CVTY DRAIN PLUG	PC04	17000	1
9	MOTOR BUSHING	31173-017	23010	1	46 *	SEAL PLATE O-RING	S2194	-----	1
10 *	LOWER BALL BEARING	23425-007	-----	1	47	STUD	C0611	17000	6
11	BEARING SNAP RING	S1831	-----	1	48	LOCK WASHER	J06	17000	6
12	NAME PLATE	2613CY	17020	1	49	HEX NUT	D06	17000	6
13	DRIVE SCREW	BM#04-03	17000	6	50	STRAINER ASSY	46611-001	2415V	1
14	MOTOR HOUSING	38311-013	13040	1	51	FLAT WASHER	KB08	17000	1
15	SHAFT SLEEVE	13878	17020	1	52	IMPELLER NUT	22561-145	-----	1
16 *	IMPELLER ADJ SHIM SET	2Y	17090	1	53	IMPELLER KEY	N0302 1/2	17000	1
17 *	SEAL SPRING RETAINER	8793	17990	1	54	NYLOCK CAPSCREW	BT0806	15991	3
18	SEAL RETAINING RING	S362	-----	1		NOT SHOWN:			
19	HOISTING BAIL	31926-009	1503V	1		CONTROL BOX ASSY	47631-137	-----	1
20	HEX NUT	D08	15991	1		SUB PUMP OIL	9568	-----	1
21	PIPE CAP	25381-003	-----	1		IMPELLER PULLER	10285	-----	1
22	HVY PIPE NIPPLE	THA0608	15079	1		CABLE TIE	27111-212	-----	1
23	STUD	C0806	15991	1		VOLTAGE TAG	38816-098	-----	1
24	COUPLING NUT	31811-019	15031	1		INSTRUCTION TAG	6588AC	-----	1
25	HEX NUT	D08	15991	1		OPTIONAL:			
26	STUD	C0809	15991	3		REPAIR GSKT SET	11000S	-----	1
27	HEX NUT	D08	15991	3		STAGING ADAPTOR KIT	48272-003	-----	1
28	DISCHARGE FLANGE	38641-006	13040	1		SST STRAINER	46611-006	24170	1
29 *	DISCH FLANGE GSKT	38687-045	20000	1		CD4MCU IMPELLER	38618-701	17180	1
30 *	RELIEF VALVE ASSY	46431-608	-----	1		316 SST IMPELLER	38618-701	17070	1
31	TERM HSG & CAB ASSY	47367-041	-----	1		LIQUID LEVEL DEVICES:			
32	STUD	C0506	15991	4		DIAPHRAGM TYPE	GRP48-03 or GRP48-06	1	
33	LOCK WASHER	J05	15991	4		FLOAT TYPE	27471-180	-----	1
34	HEX NUT	D05	15991	4		120 VOLT CONTROL	47631-070	-----	1
35	CONNECTOR	DOES NOT APPLY							
36	HEAT SHRINK TUBE	DOES NOT APPLY							
37	BRG SPRING WASHER	S1554	-----	1					

* INDICATES PARTS RECOMMENDED FOR STOCK

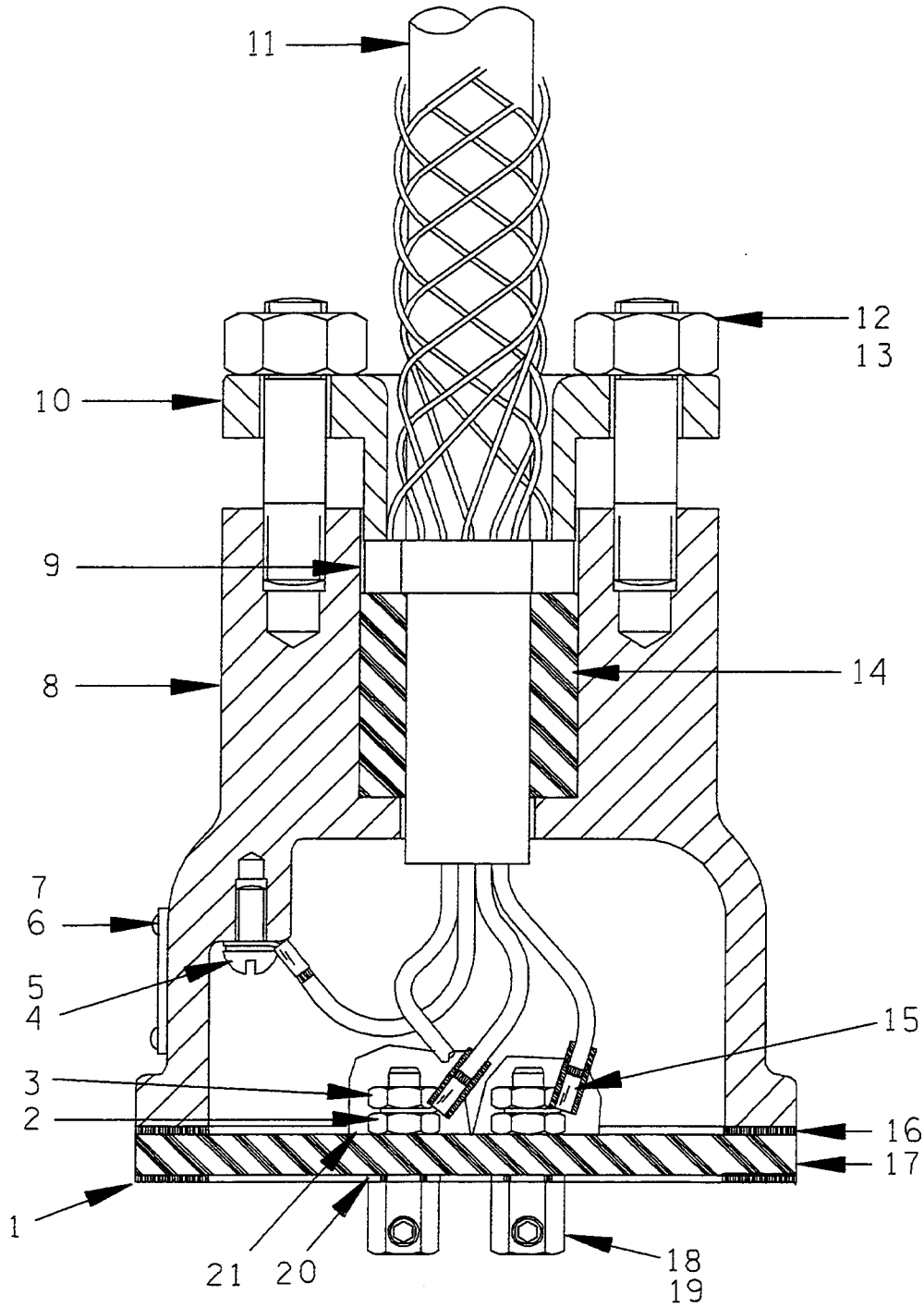
Above Serial Numbers Do Not Apply To Pumps Made In Canada.

CANADIAN SERIAL NO. AND UP

THE GORMAN-RUPP COMPANY • MANSFIELD, OHIO

GORMAN-RUPP OF CANADA LIMITED • ST. THOMAS, ONTARIO, CANADA

Printed In U.S.A.



THE GORMAN-RUPP COMPANY • MANSFIELD, OHIO

GORMAN-RUPP OF CANADA LIMITED • ST. THOMAS, ONTARIO, CANADA Printed in U.S.A.

©Copyright by the Gorman-Rupp Company

S/N 861279 Up
PUMP ISSUE 4

Terminal Housing

If your pump serial number is followed by an "N", your pump is **NOT** a standard production model. Contact the Gorman-Rupp Company to verify part numbers.

ITEM NO.		PART NAME	PART NUMBER	MAT'L CODE	QTY
1	*	LOWER TERMINAL PLATE GASKET	10321G	20000	1
2		HEX NUT	D#10	14990	3
3		HEX NUT	D#10	14990	3
4		ROUND HEAD MACHINE SCREW	X#10-01 1/2	14990	1
5		T TYPE LOCK WASHER	AK#10	15991	1
6		INFORMATION PLATE	38816-047	17990	1
7		DRIVE SCREW	BM#04-03	17000	4
8		TERMINAL HOUSING	10757	13040	1
9	*	CABLE GRIP	11227B	---	1
10		TERMINAL CAP	10756B	13040	1
11	*	CABLE ASSEMBLY	9166H	---	1
12		STUD	C0606	15991	2
13		HEX NUT	D06	15991	2
14	*	GLAND BUSHING	10758F	19100	1
15		HEAT SHRINK TUBE	31411-203	19530	3
16	*	UPPER TERMINAL PLATE GASKET	10321G	20000	1
17		TERMINAL PLATE	10320A	23010	1
18		TERMINAL	11181	14100	3
19		ROUND HEAD NYLOK MACHINE SCREW	GA#10-01S	15991	3
20		DYNA-SEAL WASHER	S1590	---	3
21		1 OZ RTV SEALANT	18771-106	---	1

OPTIONAL:

		HEAT SHRINK TERMINAL KIT	48315-008	---	1
--	--	--------------------------	-----------	-----	---

* INDICATES PARTS RECOMMENDED FOR STOCK

THE GORMAN-RUPP COMPANY • MANSFIELD, OHIO

**For U.S. and International Warranty Information,
Please Visit www.grpumps.com/warranty
or call:
U.S.: 419-755-1280
International: +1-419-755-1352**

**For Canadian Warranty Information,
Please Visit www.grcanada.com/warranty
or call:
519-631-2870**