

AC

Use With: OM-04151
MR-04269

PUBLICATION NUMBER PL-04186-05

October 18, 2000

Rev. B 04-29-08



PUMP MODELS
S3C1 230V 1P
S3C1 230V/460V 3P

MANUAL
PART 2 of 3

PARTS
LIST
WITH
PERFORMANCE CURVE

THE GORMAN-RUPP COMPANY • MANSFIELD, OHIO

www.grpumps.com

GORMAN-RUPP OF CANADA LIMITED • ST. THOMAS, ONTARIO, CANADA

Printed in U.S.A.

©2000 The Gorman-Rupp Company

Register your new
Gorman-Rupp pump online at
www.grpumps.com

Valid serial number and e-mail address required.

RECORD YOUR PUMP MODEL AND SERIAL NUMBER

Please record your pump model and serial number in the spaces provided below. Your Gorman-Rupp distributor needs this information when you require parts or service.

Pump Model: _____

Serial Number: _____

PERFORMANCE CURVE – SECTION A

RECORDING MODEL AND SERIAL NUMBERS

Please record the pump model and serial number in the spaces provided below and in the separate Installation/Operation Manual accompanying your pump. Your Gorman-Rupp distributor needs this information when you require parts or service.

Pump Model: _____

Serial Number: _____

WARRANTY INFORMATION

The pump warranty is provided as part of Gorman-Rupp's support program for customers who operate and maintain their equipment as described in this manual and other accompanying literature. Please note that should the equipment be abused or modified to change its performance beyond the original factory specifications, the warranty will become void and any claim will be denied.

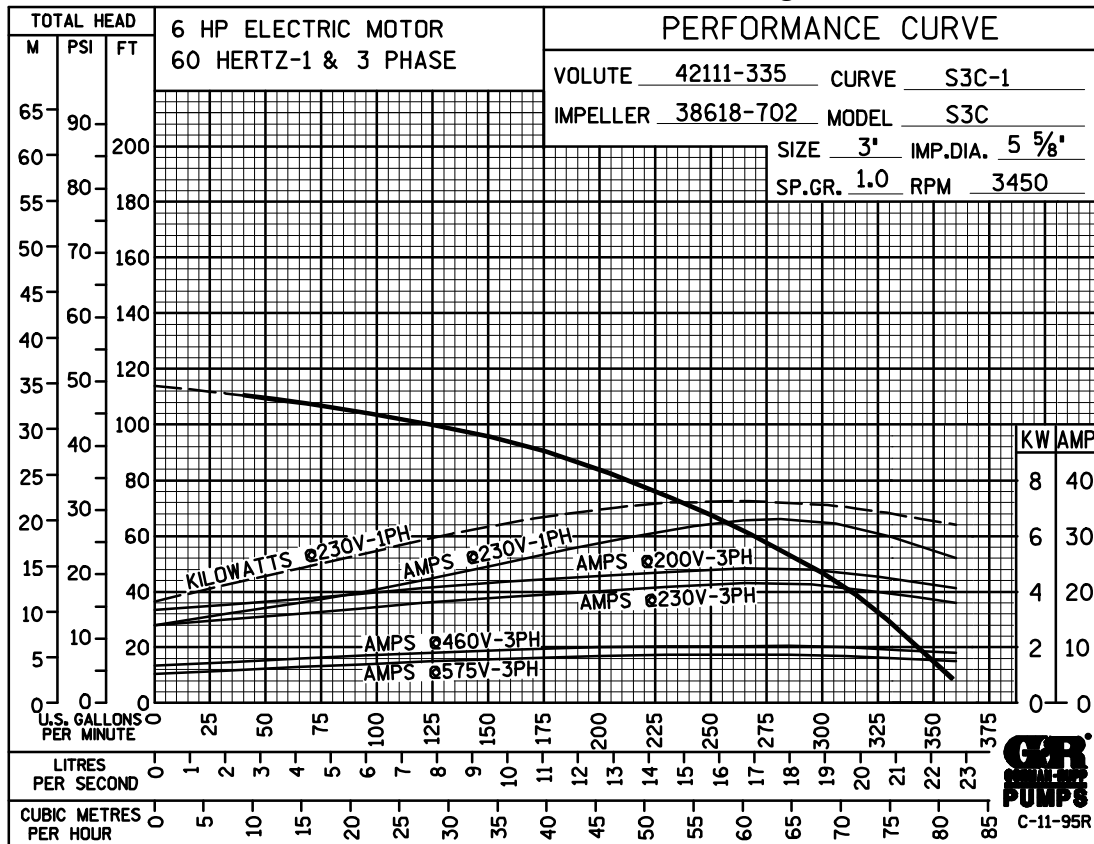
PERFORMANCE CURVES

The performance curve below is based on 70° F (21° C) clear water at sea level. Since pump installations are seldom identical, your performance may be different due to such factors as viscosity, specific gravity, elevation, temperature, and impeller trim.

If your pump serial number is followed by an "N", your pump is **NOT** a standard production model. Contact the Gorman-Rupp Company to verify performance or part numbers.

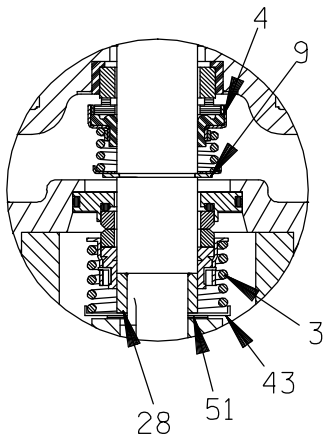
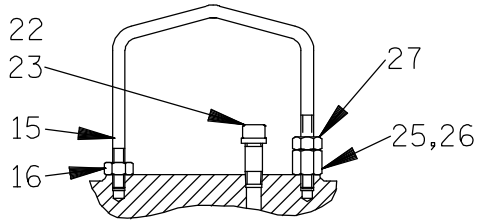


Pump speed and operating condition points must be within the continuous performance range shown on the curve(s).

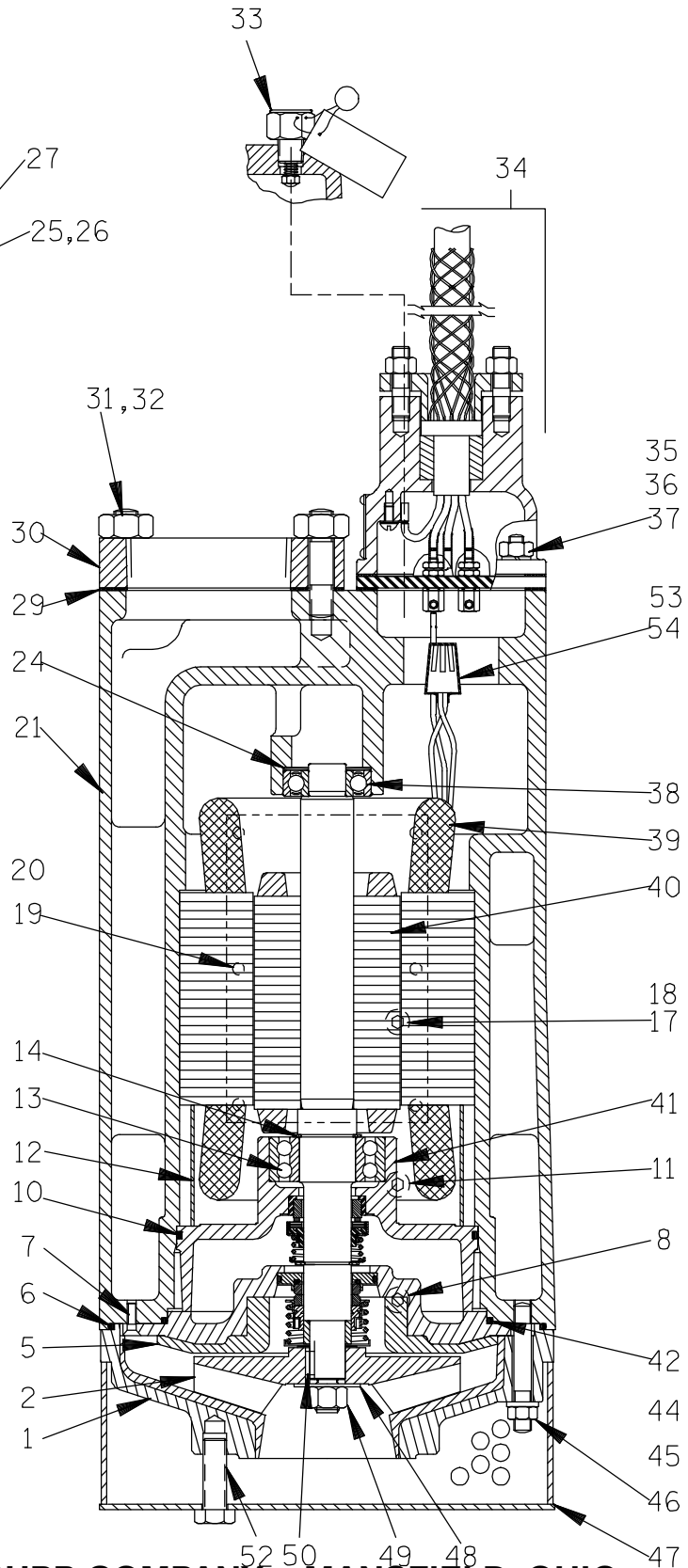


Performance Curve – Models S3C1 230V 1P, S3C1 230V/460V 3P

HOISTING BAIL ASSEMBLY



SEAL AREA DETAIL



THE GORMAN-RUPP COMPANY • MANSFIELD, OHIO

GORMAN-RUPP OF CANADA LIMITED • ST. THOMAS, ONTARIO, CANADA

Printed in U.S.A.

**S3C1 230V 1P
S3C1 230V 3P, S3C1 460V 3P**

AC

**S/N 1207590 Up
PUMP ISSUE 5**

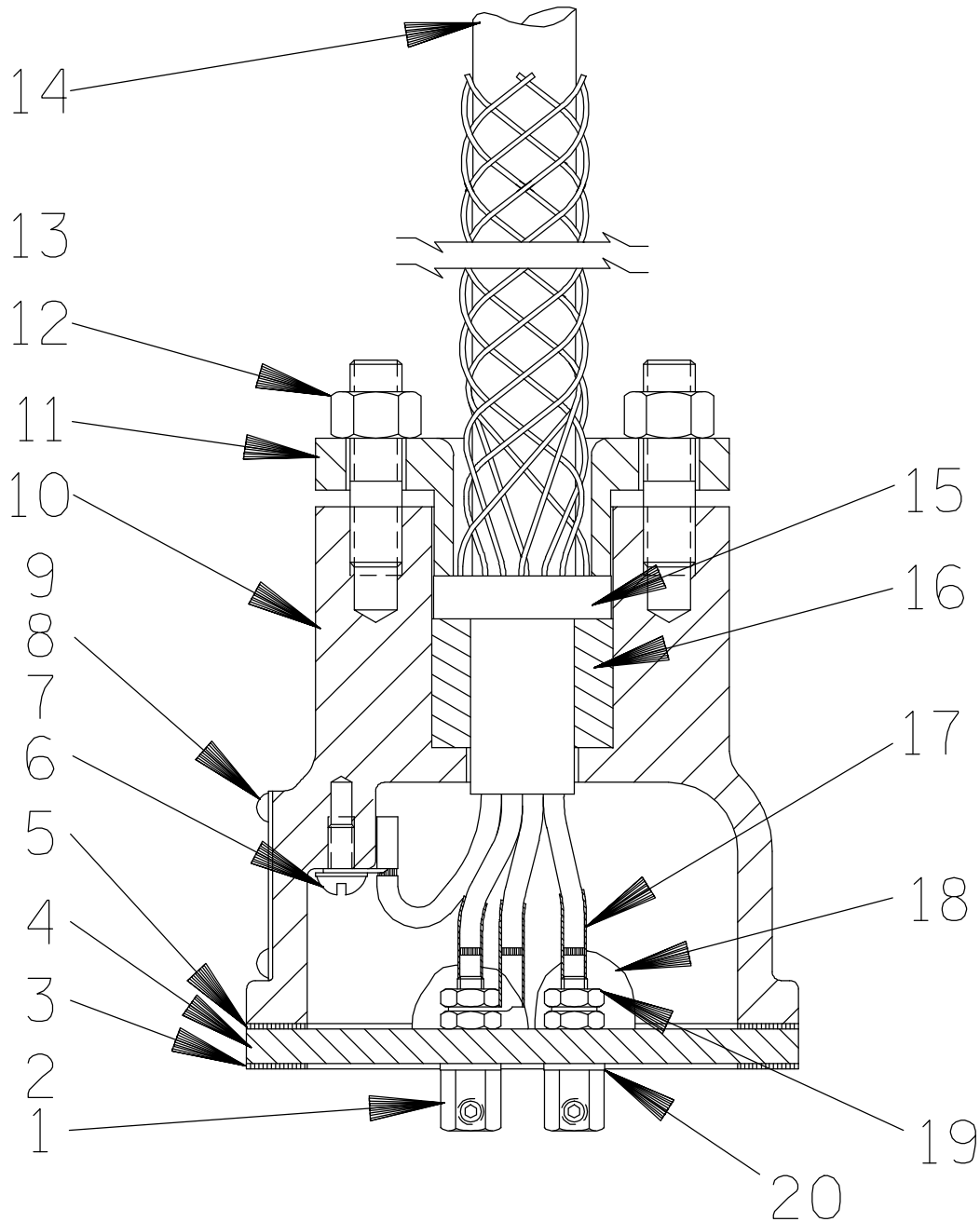
If your pump serial number is followed by an "N", your pump is **NOT** a standard production model. Contact the Gorman-Rupp Company to verify part numbers.

ITEM NO.	PART NAME	PART NUMBER	MAT'L CODE	QTY	ITEM NO.	PART NAME	PART NUMBER	MAT'L CODE	QTY
1	SUCTION HEAD ASSY	42111-335	24010	1	45	HEX NUT	D06	17000	6
2 *	IMPELLER	38618-702	11060	1	46	LOCK WASHER	J06	17000	6
3 *	LOWER SEAL ASSY	25277-345	----	1	47	STRAINER ASSY	46611-001	2415V	1
4 *	UPPER SEAL ASSY	S1832	----	1	48	FLAT WASHER	KB08	17000	1
5	SEAL PLATE ASSY	42111-066	24010	1	49	IMPELLER NUT	22561-145	----	1
6 *	MTR HSG O-RING	25152-270	----	1	50	IMPELLER KEY	N0302-1/2	17000	1
7	FLT HD MACH SCREW	Y#10-03	17000	2	51 *	IMPELLER ADJ SHIM SET	2Y	17090	1
8	SEAL CVTY DRAIN PLUG	PC04	17000	1	52	NYLOCK CAPSCREW	BT0806	15991	3
9	SEAL RETAINING RING	S362	----	1	53	CONNECTOR			
10 *	INTERMEDIATE O-RING	25152-258	----	1		-230V 1P	DOES NOT APPLY		
11	MTR CAVITY DRAIN PLUG	PC04	17000	1		-230V 3P	S1718	----	1
12	MOTOR BUSHING	31173-017	23010	1		-460V 3P	S1718	----	3
13 *	LOWER BALL BEARING	23425-007	----	1	54	HEAT-SHRINK TUBE			
14	BEARING SNAP RING	S1831	----	1		-230V 1P	DOES NOT APPLY		
15	HOISTING BAIL	31926-009	1503V	1		-230V 3P	31411-235	19450	1
16	HEX NUT	D08	15991	1		-460V 3P	31411-235	19450	3
17	SOCKET HD PIPE PLUG	PC04	17000	1					
18	ALLEN HD SETSCREW	GA0603	15990	1		NOT SHOWN:			
19	NAME PLATE	2613CY	17020	1		MOTOR PLATE			
20	DRIVE SCREW	BM#04-03	17000	6		-230V 1P	DOES NOT APPLY		
21	MOTOR HOUSING					-230V 3P AND 460V 3P	10436	17000	1
	-230V 1P	38311-013	----	1		DRIVE SCREW			
	-230V 3P AND 460V 3P	38311-012	----	1		-230V 1P	DOES NOT APPLY		
22	PIPE CAP	25381-003	----	1		-230V 3P AND 460V 3P	BM#04-03	17000	4
23	HVY PIPE NIPPLE	THA0608	15079	1		SUB PUMP OIL	9568	----	
24	BRG SPRING WASHER	S1554	----	1		CONTROL BOX ASSY			
25	STUD	C0806	15991	1		-230V 1P	27511-107	----	1
26	COUPLING NUT	31811-019	15031	1		-230V 3P	27515-564	----	1
27	HEX NUT	D08	15991	1		-460V 3P	27515-562	----	1
28	SHAFT SLEEVE	13878	17020	1		MOTOR VOLTAGE TAG			
29 *	DISCH FLANGE GSKT	38687-045	20000	1		-230V 1P	38816-098	----	1
30	DISCHARGE FLANGE	38641-006	13040	1		-230V 3P	38816-094	----	1
31	STUD	C0809	15991	3		-460V 3P	38816-093	----	1
32	HEX NUT	D08	15991	3		IMPELLER PULLER	10285	----	1
33 *	RELIEF VALVE ASSY	46431-608	----	1		CABLE TIE	27111-212	----	1
34	TERM HSG & CAB ASSY	47367-041	----	1		HEATER PACK			
35	HEX NUT	D05	15991	4		-230V 1P	DOES NOT APPLY		
36	LOCK WASHER	J05	15991	4		-230V 3P	27521-206	----	1
37	STUD	C0506	15991	4		-460V 3P	27521-203	----	1
38 *	UPPER BALL BEARING	S1044	----	1					
39	STATOR					OPTIONAL:			
	-230V 1P	47113-860	----	1		REPAIR GSKT SET	11000S	----	1
	-230V 3P AND 460V 3P	47113-861	----	1		STAGING ADAPTOR KIT	48272-003	----	1
40 *	ROTOR & SHAFT ASSY					SST STRAINER	46611-006	24170	
	-230V 1P	47112-805	----	1		CD4MCU IMPELLER	38618-702	1718H	1
	-230V 3P AND 460V 3P	47112-806	----	1					
41	INTERMEDIATE	38311-803	13040	1		LIQUID LEVEL DEVICES:			
42 *	SEAL PLATE O-RING	S2194	----	1		DIAPHRAGM TYPE	GRP48-03 or GRP48-061		
43 *	SEAL SPRING RETAINER	8793	17990	1		FLOAT TYPE	27471-180	----	1
44	STUD	C0611	17000	6		120 VOLT CONTROL	27521-323	----	1

* INDICATES PARTS RECOMMENDED FOR STOCK

THE GORMAN-RUPP COMPANY • MANSFIELD, OHIO

GORMAN-RUPP OF CANADA LIMITED • ST. THOMAS, ONTARIO, CANADA Printed in U.S.A.



THE GORMAN-RUPP COMPANY • MANSFIELD, OHIO

GORMAN-RUPP OF CANADA LIMITED • ST. THOMAS, ONTARIO, CANADA

Printed in U.S.A.

S3C1 230V 1P
S3C1 230V 3P, S3C1 460V 3P

AC

S/N 1207590 Up
PUMP ISSUE 5

Terminal Housing

If your pump serial number is followed by an "N", your pump is **NOT** a standard production model. Contact the Gorman-Rupp Company to verify part numbers.

ITEM NO.	PART NAME	PART NUMBER	MAT'L CODE	QTY
1	TERMINAL	11181	14100	3
2	ALLEN HEAD SET SCREW	GA#10-01S	15991	3
3	* LOWER TERMINAL PLATE GASKET	10321G	20000	1
4	TERMINAL PLATE	10320A	23010	1
5	* UPPER TERMINAL PLATE GASKET	10321G	20000	1
6	ROUND HEAD MACHINE SCREW	X#10-01 1/2	14990	1
7	T TYPE LOCK WASHER	AK#10	15991	1
8	INFORMATION PLATE	38816-047	17990	1
9	DRIVE SCREW	BM#04-03	17000	4
10	TERMINAL HOUSING	10757	13040	1
11	TERMINAL CAP	10756B	13040	1
12	STUD	C0606	15991	2
13	HEX NUT	D06	15991	2
14	* 50 FT. CABLE ASSEMBLY	9166H	---	1
15	* CABLE GRIP	11227B	---	1
16	* GLAND BUSHING	10758F	19100	1
17	HEAT SHRINK TUBE	31411-203	19530	3
18	1 OZ. RTV SEALANT	18771-106	---	1
19	HEX NUT	D#10	14990	6
20	DYNA-SEAL WASHER	S1590	---	3

OPTIONAL:

HEAT SHRINK TERMINAL KIT	48315-008	---	1
--------------------------	-----------	-----	---

* INDICATES PARTS RECOMMENDED FOR STOCK

THE GORMAN-RUPP COMPANY • MANSFIELD, OHIO

GORMAN-RUPP OF CANADA LIMITED • ST. THOMAS, ONTARIO, CANADA Printed in U.S.A.

**For U.S. and International Warranty Information,
Please Visit www.grpumps.com/warranty
or call:
U.S.: 419-755-1280
International: +1-419-755-1352**

**For Canadian Warranty Information,
Please Visit www.grcanada.com/warranty
or call:
519-631-2870**