

AC

Use With: OM--04151  
MR--04311

PUBLICATION NUMBER PL--04239--01

July 20, 1995

Rev. C -- 08/12/98

Supersedes: OM--03218--01



**PUMP MODELS**  
**S4F1-E20 460/575/3**

**MANUAL**  
**PART 2 of 3**

**PARTS**  
**LIST**  
**WITH**  
**PERFORMANCE CURVE**

**THE GORMAN-RUPP COMPANY • MANSFIELD, OHIO**

GORMAN-RUPP OF CANADA LIMITED • ST. THOMAS, ONTARIO, CANADA Printed in U.S.A.

©Copyright by the Gorman-Rupp Company

## PERFORMANCE CURVE – SECTION A

### RECORDING MODEL AND SERIAL NUMBERS

Please record the pump model and serial number in the spaces provided below and in the separate Installation/Operation Manual accompanying your pump. Your Gorman-Rupp distributor needs this information when you require parts or service.

Pump Model: \_\_\_\_\_

Serial Number: \_\_\_\_\_

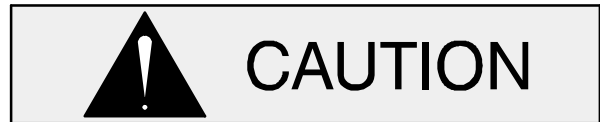
### WARRANTY INFORMATION

The pump warranty is provided as part of Gorman-Rupp's support program for customers who operate and maintain their equipment as described in this manual and other accompanying literature. Please note that should the equipment be abused or modified to change its performance beyond the original factory specifications, the warranty will become void and any claim will be denied.

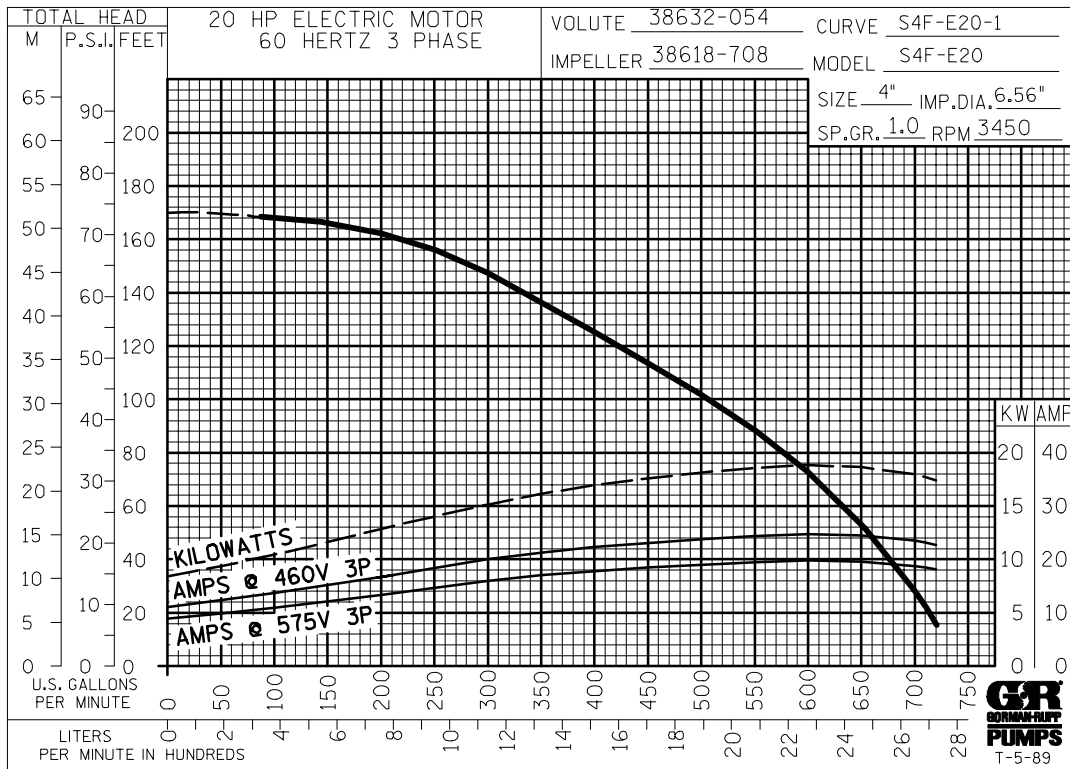
### PERFORMANCE CURVES

The performance curves on the following page are based on 70° F (21° C) clear water at sea level. Since pump installations are seldom identical, your performance may be different due to such factors as viscosity, specific gravity, elevation, temperature, and impeller trim.

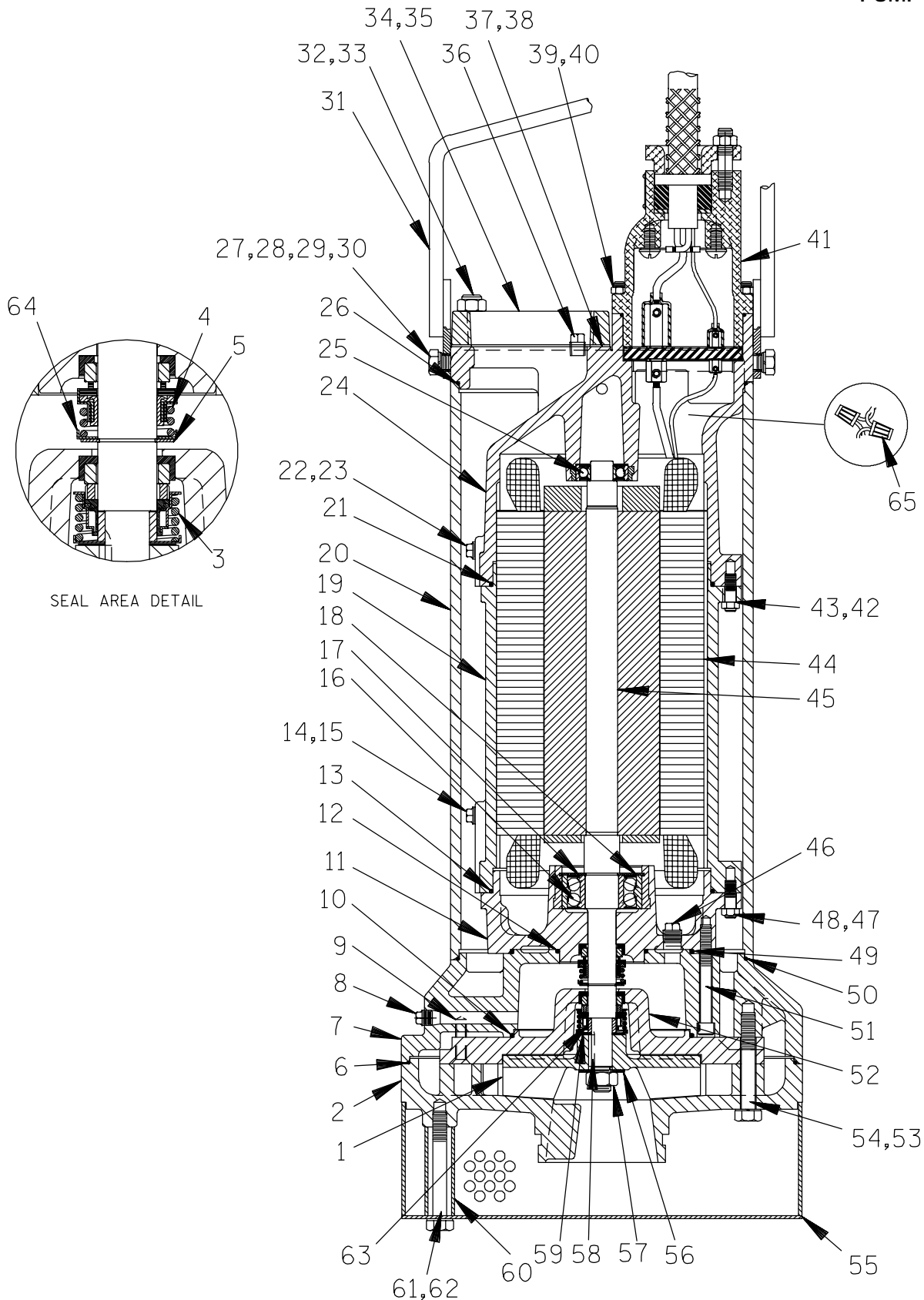
If your pump serial number is followed by an "N", your pump is **NOT** a standard production model. Contact the Gorman-Rupp Company to verify performance or part numbers.



Pump speed and operating condition points must be within the continuous performance range shown on the curve(s).



**Performance Curve – Model S4F1-E20 460/575/3**



**THE GORMAN-RUPP COMPANY • MANSFIELD, OHIO**

GORMAN-RUPP OF CANADA LIMITED • ST. THOMAS, ONTARIO, CANADA Printed in U.S.A.

©Copyright by the Gorman-Rupp Company

S/N 936666 Up  
PUMP ISSUE 1

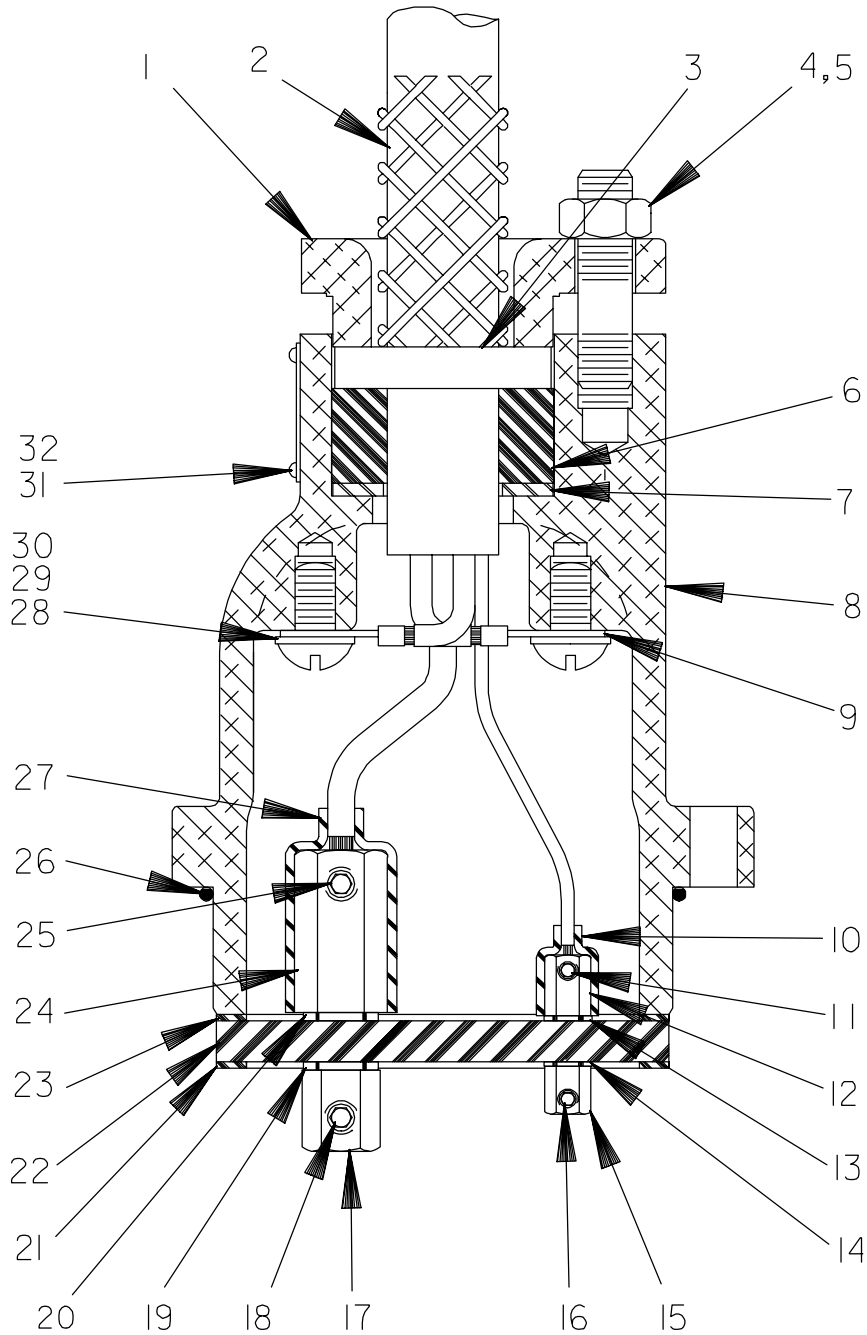
If your pump serial number is followed by an "N", your pump is **NOT** a standard production model. Contact the Gorman-Rupp Company to verify part numbers.

ITEM NO.	PART NAME	PART NUMBER	MAT'L CODE	QTY	ITEM NO.	PART NAME	PART NUMBER	MAT'L CODE	QTY
1 *	IMPELLER	38618-708	1102H	1	44	460V STATOR ASSY	47113-822	---	1
2	DIFFUSER	38632-054	1102H	1		575V STATOR ASSY	47113-823	---	1
3 *	LWR SEAL ASSY	46512-057	---	1	45 *	ROTOR/SHAFT ASSY	47112-812	---	1
4 *	UPR SEAL ASSY	25271-866	---	1	46	PIPE PLUG	P06	15079	1
5	RETAINING RING	S362	---	1	47	STUD	C0606	17000	8
6 *	DIFFUSER O-RING	25152-279	---	1	48	DEFORM LOCKNUT	DD06	17000	8
7	INTERMEDIATE	38261-029	13000	1	49 *	MTR HSG O-RING	25152-259	---	1
8	PIPE PLUG	P04	17000	1	50 *	CASING O-RING	S1830	---	1
9	FLAT HD MACH SCRW	Y0405	17000	3	51	SOCK HD CAPSCREW	DM0613	17000	6
10 *	SEAL PLATE O-RING	25152-259	---	1	52	SEAL PLATE	38272-352	1102H	1
11	LWR MOTOR HSG	38311-048	13000	1	53	HEX HD CAPSCREW	B0814	17000	6
12 *	MOTOR HSG O-RING	25152-234	---	1	54	LOCKWASHER	J08	17000	6
13 *	MOTOR HSG O-RING	25152-265	---	1	55	STRAINER ASSY	46611-012	2415V	1
14	PIPE PLUG	38649-022	17030	2	56	FLAT WASHER	KB10	17000	1
15	ALLEN HD CAPSCREW	GA0501 1/4	15990	2	57	HEX NUT	D10S	17000	1
16 *	LWR BALL BEARING	23425-457	---	1	58 *	IMPELLER KEY	N0304-1/2	17000	1
17	INNER RET RING	S1831	---	1	59 *	IMPELLER SHIM SET	2Y	17090	1
18	OUTER RET RING	S219	---	1	60	SUPPORT PIPE	31412-064	15070	3
19 *	MIDDLE MOTOR HSG	38311-047	13000	1	61	HEX HD CAPSCREW	B0815	15991	3
20	PUMP CASING	38311-813	13005	1	62	LOCKWASHER	J08	15991	3
21 *	MID MTR HSG O-RING	25152-265	---	1	63	IMPELLER SLEEVE	13878	17020	1
22	PIPE PLUG	38649-022	17030	2	64	SPRING HOLDER	25273-260	---	1
23	ALLEN HD SETSCREW	GA0501-1/4	15990	2	65	CONNECTOR	DOES NOT APPLY		
24	UPPER MTR HSG	38311-046	13000	1		NOT SHOWN:			
25 *	UPR BALL BEARING	23257-009	---	1		IMPELLER PULLER	48711-018	---	1
26 *	CASING O-RING	S1830	---	1		VOLTAGE TAG:			
27	BUSHING	9562	15991	2		- 460V	6588BL	---	1
28	HEX HD CAPSCREW	B0804	15991	2		- 575V	6588BM	---	1
29	LOCKWASHER	J08	15991	2		STD CONTROL BOX:			
30	FLAT WASHER	KE08	15991	2		- 460V	27515-524	---	1
31	HOIST BAIL	11959	2400V	1		- 575V	27515-534	---	1
32	STUD	C0609	15991	4		HEATER PACK:			
33	HEX NUT	D06	15991	4		- 460V	27521-206	---	1
34	DISCHARGE FLANGE	11957	13040	1		- 575V	27521-205	---	1
35 *	FLANGE GASKET	11957G	20000	1		HEAT SHRINK TUBING	18763-248	---	4
36	PIPE PLUG	P04	17000	1		OPTIONAL:			
37	NAME PLATE	2613GH	17020	1		* REPAIR GASKET SET	11000AG	---	1
38	DRIVE SCREW	BM#04-03	17000	2		LIQUID LEVEL DEVICES:			
39	STUD	C0607	15991	4		DIAPHRAGM TYPE	GRP48-03 or GRP48-061		
40	DEFORM LOCKNUT	DD06	15991	4		FLOAT TYPE	27471-155	---	1
41	TERMINAL HOUSING & CABLE ASSY	47367-077	---	1		120V LIQ LVL CONTROL	27521-321	---	1
42	STUD	C0606	17000	8					
43	DEFORM LOCKNUT	DD06	17000	8					

\* INDICATES PARTS RECOMMENDED FOR STOCK

**THE GORMAN-RUPP COMPANY • MANSFIELD, OHIO**

GORMAN-RUPP OF CANADA LIMITED • ST. THOMAS, ONTARIO, CANADA Printed in U.S.A.



**THE GORMAN-RUPP COMPANY • MANSFIELD, OHIO**

GORMAN-RUPP OF CANADA LIMITED • ST. THOMAS, ONTARIO, CANADA Printed in U.S.A.

©Copyright by the Gorman-Rupp Company

S/N 936666 Up  
PUMP ISSUE 1

### Terminal Housing

If your pump serial number is followed by an "N", your pump is **NOT** a standard production model. Contact the Gorman-Rupp Company to verify part numbers.

ITEM NO.	PART NAME	PART NUMBER	MAT'L CODE	QTY
1	TERMINAL GLAND	11367	13040	1
2	* CABLE – 50 FT	47325–005	---	1
3	* CABLE GRIP	11227L	---	1
4	STUD	C0808	15991	2
5	HEX NUT	D08	15991	2
6	GLAND BUSHING	10758K	19100	1
7	TERMINAL WASHER	10659	15991	1
8	TERMINAL HOUSING	38381–237	13000	1
9	TERMINAL	27214–035	---	1
10	HEAT SHRINK TUBE	31412–056	19530	2
11	ALLEN HEAD SETSCREW	GA#10–01S	15991	2
12	TERMINAL COLLAR	31811–057	14100	2
13	* DYNA SEAL WASHER	S1590	---	2
14	* DYNA SEAL WASHER	S1590	---	2
15	TERMINAL POST	11181	14100	2
16	ALLEN HEAD SETSCREW	GA#10–01S	15991	2
17	TERMINAL POST	38724–009	14100	3
18	ALLEN HEAD SETSCREW	GA0501 -1/2	14990	3
19	* DYNA SEAL WASHER	S1586	---	3
20	* DYNA SEAL WASHER	S1586	---	3
21	* TERMINAL PLATE GSKT	38687–529	20000	1
22	* TERMINAL PLATE	38711–001	23010	1
23	* TERMINAL PLATE GSKT	38687–529	20000	1
24	TERMINAL COLLAR	10144	14100	3
25	ALLEN HEAD SETSCREW	GA0501- 1/2	14990	3
26	* O-RING	25152–155	---	1
27	HEAT-SHRINK TUBE	31413–014	19530	3
28	TERMINAL	S1550	---	1
29	RD HD MACHINE SCREW	X0603	14990	2
30	T TYPE LOCKWASHER	AK06	15991	2
31	DRIVE SCREW	BM#04–03	17000	4
32	INFORMATION PLATE	38816–145	17050	1

NOT SHOWN:

1 TUBE RTV SEALANT	18771–106	---	2
--------------------	-----------	-----	---

OPTIONAL:

HEAT SHRINK TERMINAL KIT	48315–010	---	1
--------------------------	-----------	-----	---

\* INDICATES PARTS RECOMMENDED FOR STOCK

## THE GORMAN-RUPP COMPANY • MANSFIELD, OHIO

GORMAN-RUPP OF CANADA LIMITED • ST. THOMAS, ONTARIO, CANADA

Printed in U.S.A.

**For U.S. and International Warranty Information,  
Please Visit [www.grpumps.com/warranty](http://www.grpumps.com/warranty)  
or call:  
U.S.: 419-755-1280  
International: +1-419-755-1352**

**For Canadian Warranty Information,  
Please Visit [www.grcanada.com/warranty](http://www.grcanada.com/warranty)  
or call:  
519-631-2870**