

AC

Use With: OM-04151
MR-04255

PUBLICATION NUMBER PL-04253-01
August 25, 1997; Rev. A - 01/19/98
Supersedes: OM-03686-01



PUMP MODELS

S12A1-E140 460/575/3

MANUAL
PART 2 of 3

PARTS
LIST

WITH
PERFORMANCE CURVE

THE GORMAN-RUPP COMPANY • MANSFIELD, OHIO

GORMAN-RUPP OF CANADA LIMITED • ST. THOMAS, ONTARIO, CANADA Printed in U.S.A.

©Copyright by the Gorman-Rupp Company

PERFORMANCE CURVE – SECTION A

RECORDING MODEL AND SERIAL NUMBERS

Please record the pump model and serial number in the spaces provided below and in the separate Installation/Operation Manual accompanying your pump. Your Gorman-Rupp distributor needs this information when you require parts or service.

Pump Model: _____

Serial Number: _____

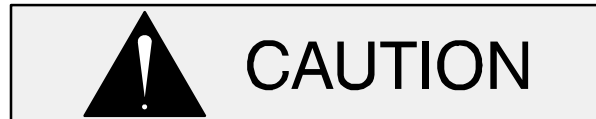
WARRANTY INFORMATION

The pump warranty is provided as part of Gorman-Rupp's support program for customers who operate and maintain their equipment as described in this manual and other accompanying literature. Please note that should the equipment be abused or modified to change its performance beyond the original factory specifications, the warranty will become void and any claim will be denied.

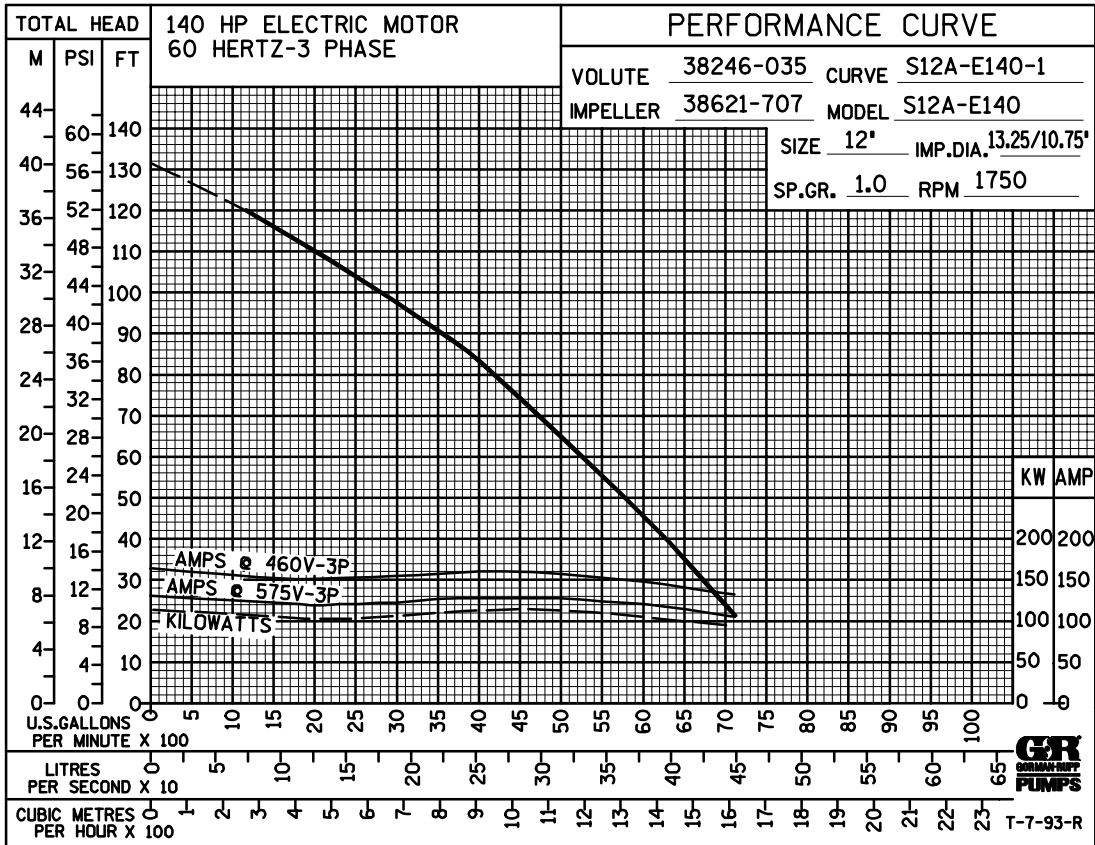
PERFORMANCE CURVES

The performance curves on the following page are based on 70° F (21° C) clear water at sea level. Since pump installations are seldom identical, your performance may be different due to such factors as viscosity, specific gravity, elevation, temperature, and impeller trim.

If your pump serial number is followed by an "N", your pump is **NOT** a standard production model. Contact the Gorman-Rupp Company to verify performance or part numbers.

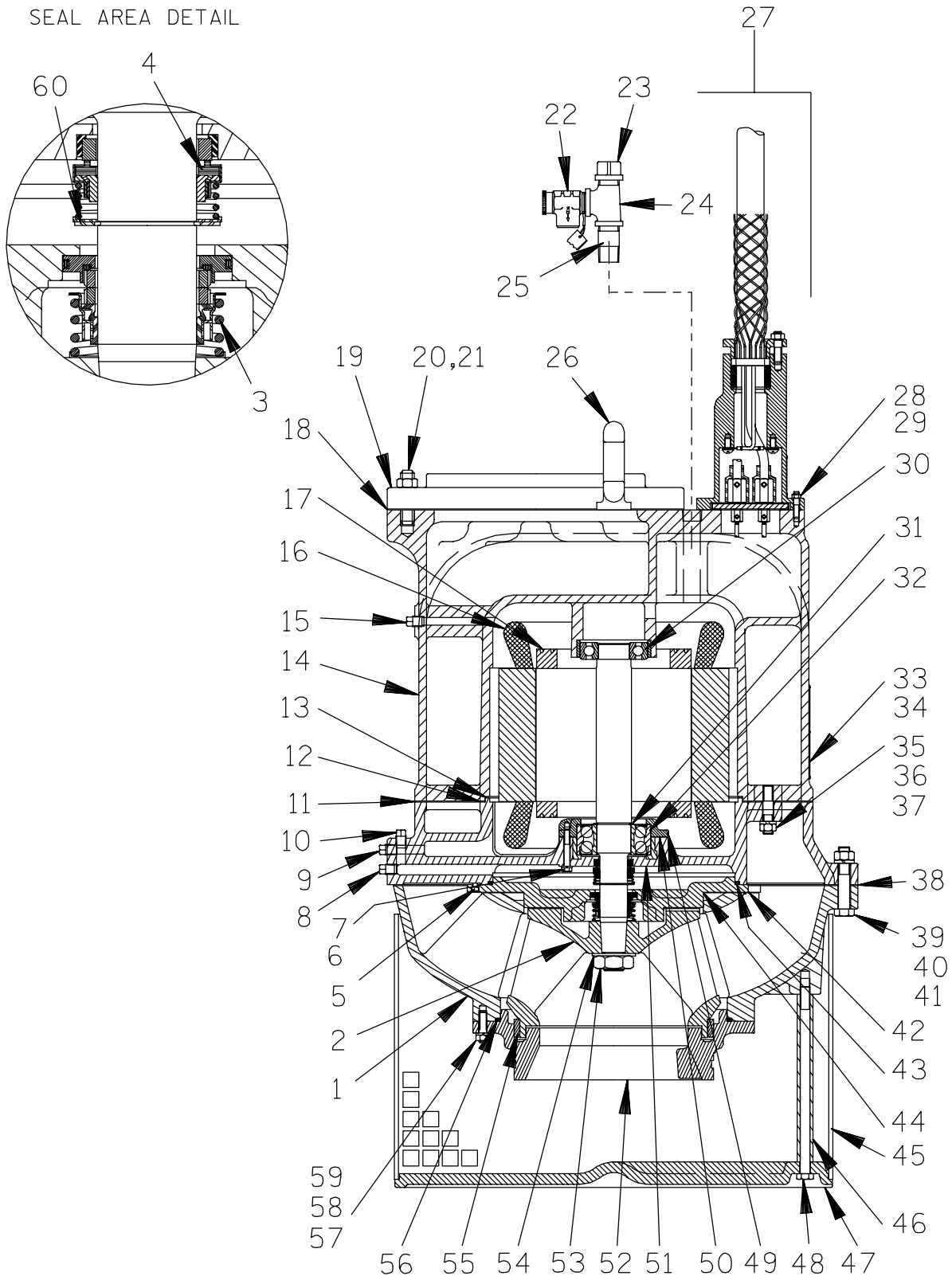


Pump speed and operating condition points must be within the continuous performance range shown on the curve(s).



Performance Curve – Model S12A1–E140 460/575/3

This Page Intentionally Blank



THE GORMAN-RUPP COMPANY • MANSFIELD, OHIO

GORMAN-RUPP OF CANADA LIMITED • ST. THOMAS, ONTARIO, CANADA Printed in U.S.A.

©Copyright by the Gorman-Rupp Company

S12A1-E140 460/575/3

AC

S/N 996345 UP

PUMP ISSUE 1

If your pump serial number is followed by an "N", your pump is NOT a standard production model. Contact the Gorman-Rupp Company to verify part numbers.

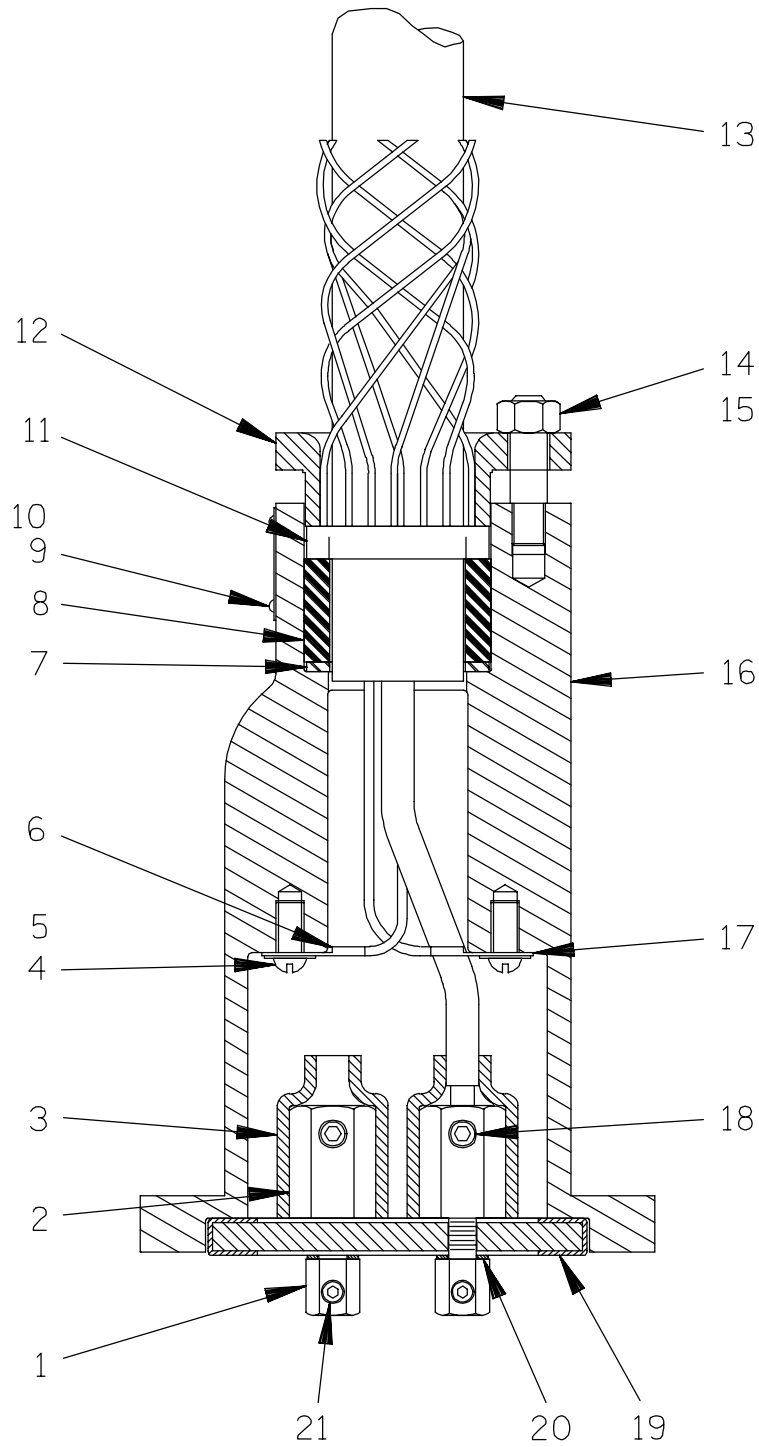
ITEM NO.	PART NAME	PART NUMBER	MAT'L CODE	QTY	ITEM NO.	PART NAME	PART NUMBER	MAT'L CODE	QTY
1	DIFFUSER	38632-112	11030	1	41	LOCKWASHER	J12	15991	20
2 *	IMPELLER	38621-707	11000	1	42 *	SEAL PLATE GSKT	38682-817	20000	1
3 *	LOWER SEAL ASSY	46512-055	----	1	43 *	SEAL PLATE O-RING	S2207	----	1
4 *	UPPER SEAL ASSY	25271-947	----	1	44	SEAL PLATE	38272-712	10000	1
5	SOCKET HD CAPSCREW	BD0503	17000	6	45	STRAINER SCREEN	38661-706	2415V	1
6	HEX HD CAPSCREW	B0610	15991	4	46	HOSE	31412-068	19060	6
7	LOCKWASHER	J06	15991	4	47	BASE PLATE	10036	13080	1
8	SEAL CVTY DRAIN PLUG	P06	17000	1	48	HEX HD CAPSCREW	B1048	15991	6
9	MTR CAVITY DRAIN PLUG	P06	17000	1	49	BEARING CAP	38322-424	10000	1
10	SEAL CAVITY FILL PLUG	P06	17000	1	50	BEARING CAP GSKT	38683-463	20000	1
11 *	MOTOR HOUSING GSKT	38682-816	20000	1	51	INTERMEDIATE	38261-112	13000	1
12 *	MOTOR HOUSING GSKT	10062G	20000	1	52	SUCTION HEAD	38246-035	10000	1
13 *	MOTOR HOUSING GSKT	10038G	20000	1	53	JAM LOCKNUT	AT20S	17000	1
14	MOTOR HOUSING ASSY	42822-018	24130	1	54 *	IMPELLER WASHER	11199	17000	1
15	MTR CVIY OIL LVL PLUG	P06	17000	1	55 *	WEAR RING	4181A	14000	1
16	STATOR ASSY				56 *	DIFFUSER O-RING	S1914	----	1
	-460/3	47113-011	----	1	57	STUD	C0808	17000	5
	-575/3	47113-044	----	1	58	HEX NUT	D08	17000	5
17	ROTOR ASSY	47112-033	----	1	59	LOCKWASHER	J08	17000	5
18 *	DISCH FLANGE GASKET	4991G	18000	1	60	RETAINING RING	S264	----	1
19	DISCHARGE FLANGE	4991A	10010	1					
20	STUD	C1414	15991	12	NOT SHOWN:				
21	HEX NUT	D14	15991	12		CONTROL BOX			
22	PRESS RELIEF VALVE	14139	----	1		-460/3	27515-507	----	1
23	MTR CVTY OIL FILL CAP	V16	11999	1		-575/3	27515-517	----	1
24	STREET TEE ASSY	14138	----	1		QT. SUB PUMP OIL	9568	----	1
25	HVY PIPE NIPPLE	THA16	15079	1		IMPELLER KNOCKER	2177C	14070	1
26	EYE BOLT	AR2414	1505V	2		MOTOR VOLTAGE TAG			
27	TERMINAL HSG AND CABLE ASSY					-460/3	6588BL	----	1
	-460/3	47367-061	----	1		-575/3	6588BM	----	1
	-575/3	47367-028	----	1		INSTRUCTION TAG	6588AC	----	1
28	STUD	C0607	15991	6		HEATER PACK			
29	DEFORM LOCK NUT	DD06	15991	6		-460/3	27521-220	----	1
30 *	UPPER BALL BEARING	S1077	----	1		-575/3	27521-219	----	1
31	RETAINING RING	S215	----	1	OPTIONAL:				
32 *	LOWER BALL BEARING	23425-462	----	1		HEAT-SHRINK TUBE &	48315-004	----	1
33	NAME PLATE	2613CY	17020	1		ADHESIVE KIT			
34	DRIVE SCREW	BM#04-03	17000	6	LIQUID LEVEL DEVICES:				
35	STUD	10443	17000	12		DIAPHRAGM TYPE	GRP48-03	----	1
36	LOCKWASHER	J10	17000	12			GRP48-06	----	1
37	HEX NUT	D10	17000	12		FLOAT TYPE	27471-155	----	1
38 *	DIFFUSER GSKT	38682-813	20000	1		LIQ LVL CONT. RELAY	27521-321	----	1
39	HEX HD CAPSCREW	B1216	15991	20					
40	HEX NUT	D12	15991	20					

* INDICATES PARTS RECOMMENDED FOR STOCK

THE GORMAN-RUPP COMPANY • MANSFIELD, OHIO

GORMAN-RUPP OF CANADA LIMITED • ST. THOMAS, ONTARIO, CANADA Printed in U.S.A.

©Copyright by the Gorman-Rupp Company



THE GORMAN-RUPP COMPANY • MANSFIELD, OHIO

GORMAN-RUPP OF CANADA LIMITED • ST. THOMAS, ONTARIO, CANADA Printed in U.S.A.

©Copyright by the Gorman-Rupp Company

S12A1—E140 460/575/3

AC

S/N 996345 UP

PUMP ISSUE 1

460/3 Terminal Housing And Cable Assembly 47367—061

ITEM NO.	PART NAME	PART NUMBER	MAT'L CODE	QTY
1	TERMINAL POST	38724—009	14100	3
2	TERMINAL COLLAR	10052A	14100	3
3	HEAT SHRINK TUBE	31417—030	19530	3
4	T TYPE LOCKWASHER	AK06	15991	2
5	RD HD MACH SCREW	X0603	14990	2
6	TERMINAL	27214—058	---	1
7	WASHER	10659B	15991	1
8	* GLAND BUSHING	10758E	19100	1
9	INFORMATION PLATE	38816—047	17990	1
10	DRIVE SCREW	BM#04—03	17000	4
11	CABLE GRIP	11227F	---	1
12	TERMINAL GLAND	10658	13040	1
13	* POWER CABLE	10325A	---	1
14	HEX NUT	D08	15991	2
15	STUD	C0808	15991	2
16	TERMINAL HOUSING	10088B	13040	1
17	TERMINAL	27214—065	---	1
18	ALLEN HEAD SETSCREW	GA0602	14990	3
19	TERMINAL PLATE ASSY	11163	24010	1
20	* DYNA SEAL WASHER	S1586	---	3
21	ALLEN HD SETSCREW	GA0501 1/2	14990	3

NOT SHOWN:

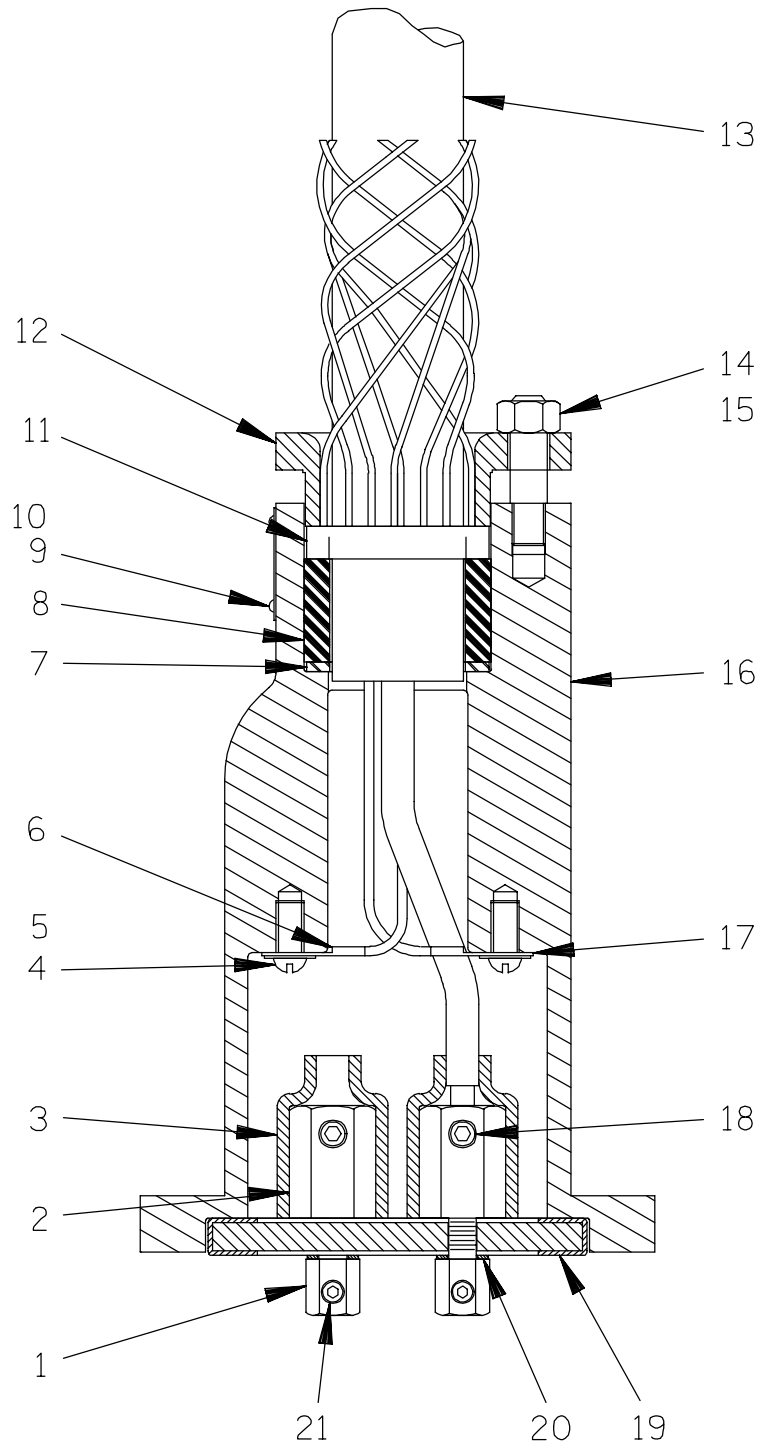
RTV SEALANT	18771—106	---	2
-------------	-----------	-----	---

* INDICATES PARTS RECOMMENDED FOR STOCK

THE GORMAN—RUPP COMPANY • MANSFIELD, OHIO

GORMAN—RUPP OF CANADA LIMITED • ST. THOMAS, ONTARIO, CANADA Printed in U.S.A.

©Copyright by the Gorman—Rupp Company



THE GORMAN-RUPP COMPANY • MANSFIELD, OHIO

GORMAN-RUPP OF CANADA LIMITED • ST. THOMAS, ONTARIO, CANADA Printed in U.S.A.

©Copyright by the Gorman-Rupp Company

S12A1—E140 460/575/3

AC

S/N 996345 UP

PUMP ISSUE 1

575/3 Terminal Housing And Cable Assembly 47367—028

ITEM NO.	PART NAME	PART NUMBER	MAT'L CODE	QTY
1	TERMINAL POST	38724—009	14100	3
2	TERMINAL COLLAR	10052A	14100	3
3	HEAT SHRINK TUBE	31417—030	19530	3
4	T TYPE LOCKWASHER	AK06	15991	2
5	RD HD MACH SCREW	X0603	14990	2
6	TERMINAL	27214—062	---	1
7	WASHER	31133—110	15991	1
8	* GLAND BUSHING	31144—001	19100	1
9	INFORMATION PLATE	38816—047	17990	1
10	DRIVE SCREW	BM#04—03	17000	4
11	CABLE GRIP	11227H	---	1
12	TERMINAL GLAND	10658	13040	1
13	* POWER CABLE	10325L	---	1
14	HEX NUT	D08	15991	2
15	STUD	C0808	15991	2
16	TERMINAL HOUSING	10088B	13040	1
17	TERMINAL	S1550	---	1
18	ALLEN HEAD SETSCREW	GA0602	14990	3
19	TERMINAL PLATE ASSY	11163	24010	1
20	* DYNA SEAL WASHER	S1586	---	3
21	ALLEN HD SETSCREW	GA0501 1/2	14990	3

NOT SHOWN:

RTV SEALANT	18771—106	---	2
-------------	-----------	-----	---

* INDICATES PARTS RECOMMENDED FOR STOCK

THE GORMAN—RUPP COMPANY • MANSFIELD, OHIO

GORMAN—RUPP OF CANADA LIMITED • ST. THOMAS, ONTARIO, CANADA Printed in U.S.A.

©Copyright by the Gorman—Rupp Company

**For U.S. and International Warranty Information,
Please Visit www.grpumps.com/warranty
or call:
U.S.: 419-755-1280
International: +1-419-755-1352**

**For Canadian Warranty Information,
Please Visit www.grcanada.com/warranty
or call:
519-631-2870**