

AC

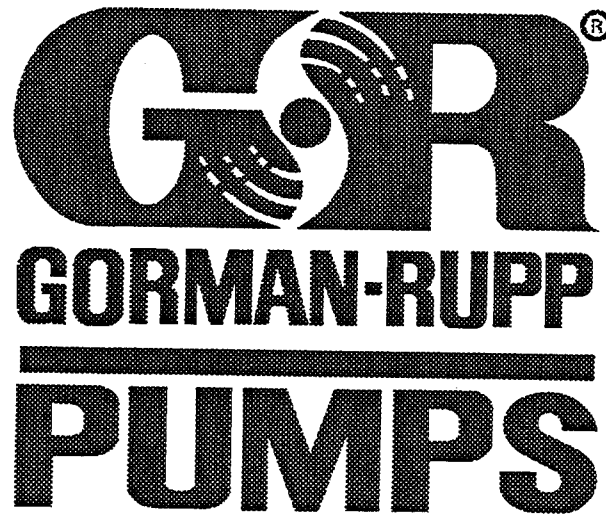
Use With: OM-04151
MR-04269

PUBLICATION NUMBER PL-04271-03

Pump Issue 3

May 17, 1995

Supersedes: OM-02030-03



PUMP MODEL S3B18 230V 3P

MANUAL
PART 2 of 3

PARTS
LIST

WITH
PERFORMANCE CURVE

THE GORMAN-RUPP COMPANY • MANSFIELD, OHIO

GORMAN-RUPP OF CANADA LIMITED • ST. THOMAS, ONTARIO, CANADA Printed in U.S.A.

© Copyright by the Gorman-Rupp Company

PERFORMANCE CURVE – SECTION A

RECORDING MODEL AND SERIAL NUMBERS

Please record the pump model and serial number in the spaces provided below and in the separate Installation/Operation Manual accompanying your pump. Your Gorman-Rupp distributor needs this information when you require parts or service.

Pump Model: _____

Serial Number: _____

WARRANTY INFORMATION

The pump warranty is provided as part of Gorman-Rupp's support program for customers who operate and maintain their equipment as described in this manual and other accompanying literature. Please note that should the equipment be abused or modified to change its performance beyond the original factory specifications, the warranty will become void and any claim will be denied.

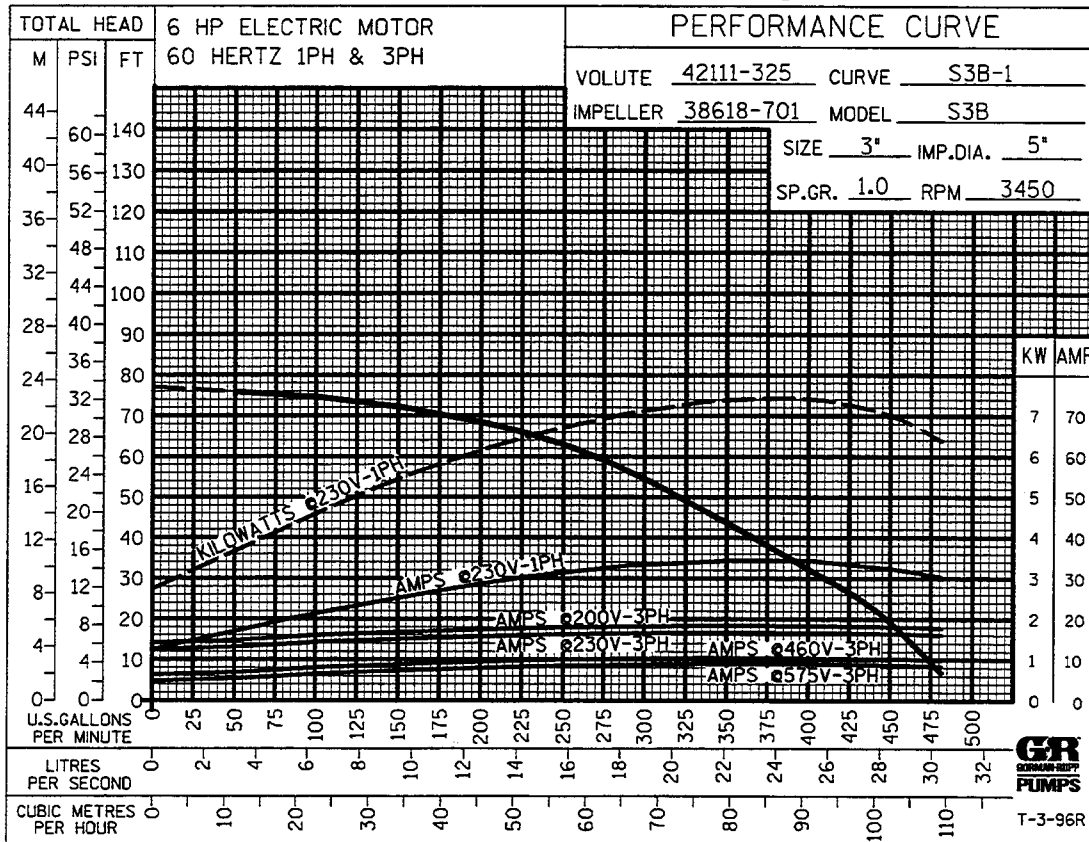
PERFORMANCE CURVES

The performance curves on the following page are based on 70° F (21° C) clear water at sea level. Since pump installations are seldom identical, your performance may be different due to such factors as viscosity, specific gravity, elevation, temperature, and impeller trim.

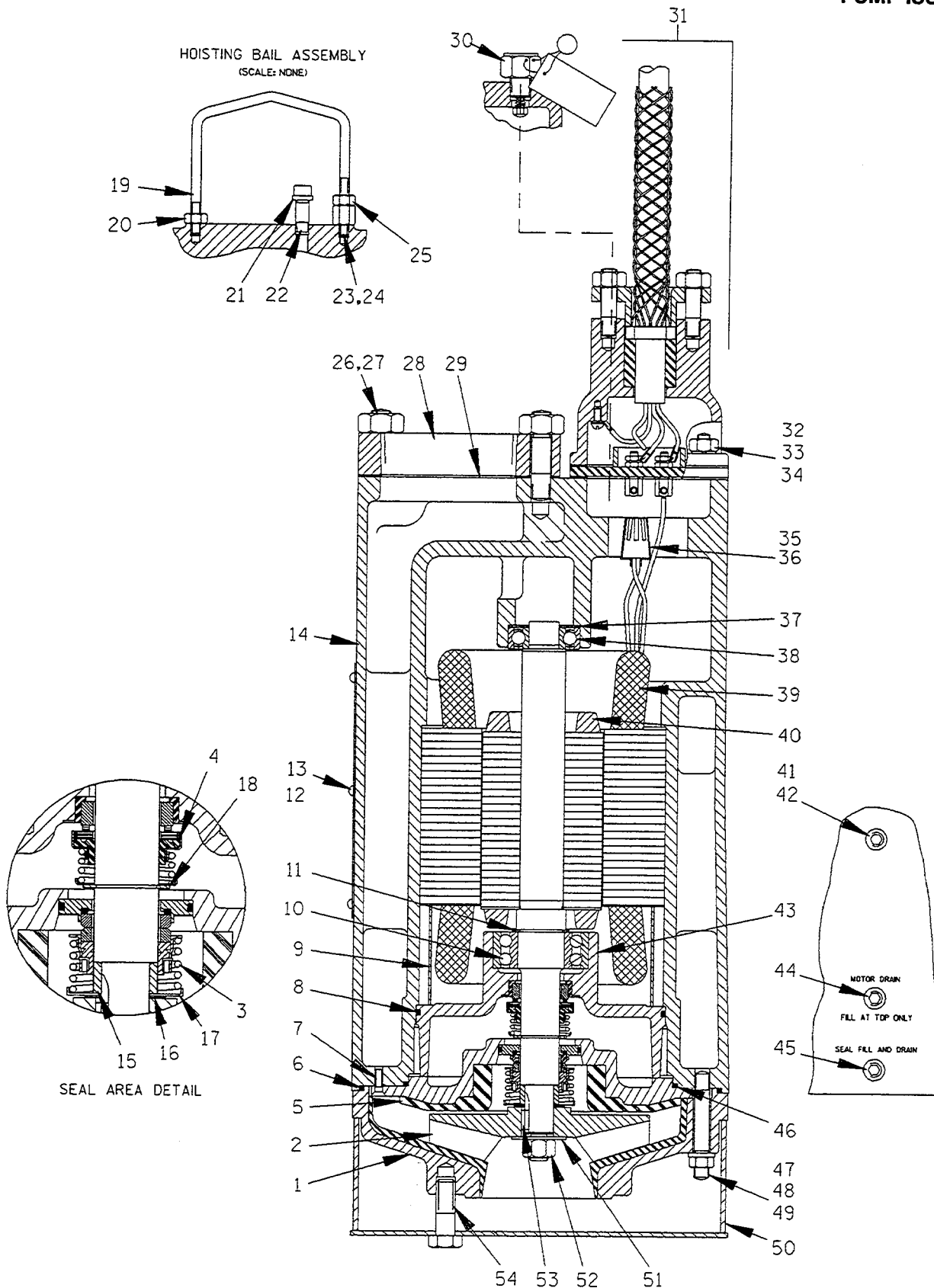
If your pump serial number is followed by an "N", your pump is **NOT** a standard production model. Contact the Gorman-Rupp Company to verify performance or part numbers.



Pump speed and operating condition points must be within the continuous performance range shown on the curve(s).



Performance Curve – Model S3B18 230V 3P



THE GORMAN-RUPP COMPANY • MANSFIELD, OHIO

GORMAN-RUPP OF CANADA LIMITED • ST. THOMAS, ONTARIO, CANADA

Printed in U.S.A.

S/N 861279 Up
PUMP ISSUE 3

If your pump serial number is followed by an "N", your pump is NOT a standard production model. Contact the Gorman-Rupp Company to verify part numbers.

ITEM NO.	PART NAME	PART NUMBER	MAT'L CODE	QTY	ITEM NO.	PART NAME	PART NUMBER	MAT'L CODE	QTY
1	SUCTION HEAD ASSY	42111-325	24010	1	38 *	UPPER BALL BEARING	S1044	---	1
2 *	IMPELLER	38618-701	1718H	1	39	STATOR	47113-861	---	1
3 *	LOWER SEAL ASSEMBLY	25277-345	---	1	40 *	ROTOR & SHAFT ASSY	47112-806	---	1
4 *	UPPER SEAL	S1832	---	1	41	ALLEN HD SETSCREW	GA0603	15990	1
5	SEAL PLATE ASSY	42111-064	24010	1	42	SOCKET HD PIPE PLUG	PC04	17000	1
6 *	MOTOR HSG O-RING	25152-270	---	1	43	INTERMEDIATE	38311-803	13040	1
7	FLT HD MACHINE SCREW	Y#10-03	17000	2	44	MTR CAVITY DRAIN PLUG	PC04	17000	1
8 *	INTERMEDIATE O-RING	25152-258	---	1	45	SEAL CAVITY DRAIN PLUG	PC04	17000	1
9	MOTOR BUSHING	31173-017	23010	1	46 *	SEAL PLATE O-RING	S2194	---	1
10 *	LOWER BALL BEARING	23425-007	---	1	47	STUD	C00610	17000	6
11	BRG SNAP RING	S1831	---	1	48	LOCK WASHER	J06	17000	6
12	NAME PLATE	2613CY	17020	1	49	HEX NUT	D06	17000	6
13	DRIVE SCREW	BM#04-03	17000	6	50	STRAINER ASSY	46611-006	24170	1
14	MOTOR HOUSING	38311-012	13040	1	51	FLAT WASHER	KB08	17000	1
15	SHAFT SLEEVE	13878	17020	1	52	IMPELLER NUT	22561-145	---	1
16 *	IMPELLER ADJ SHIM SET	2Y	17090	1	53 *	IMPELLER KEY	N0302 1/2	17000	1
17 *	SEAL SPRING RETAINER	8793	17990	1	54	NYLOCK CAPSCREW	BT0806	17000	3
18	SEAL RETAINING RING	S362	---	1					
19	HOISTING BAIL	31926-009	1503V	1		NOT SHOWN:			
20	HEX NUT	D08	17000	1		CONTROL BOX ASSY	47631-138	---	1
21	PIPE CAP	25471-223	---	1		SUB PUMP OIL	9568	---	1
22	HVY PIPE NIPPLE	THA0608	15079	1		IMPELLER PULLER	10285	---	1
23	STUD	C0806	17000	1		CABLE TIE	27111-212	---	1
24	COUPLING NUT	31811-019	17000	1		MOTOR VOLTAGE TAG	38816-094	---	1
25	HEX NUT	D08	17000	1		MOTOR PLATE	10436	17000	1
26	STUD	C0809	17000	3		DRIVE SCREW	BM#04-03	17000	4
27	HEX NUT	D08	17000	3					
28	DISCHARGE FLANGE	38641-006	13040	1		OPTIONAL:			
29 *	DISCH FLANGE GSKT	38687-045	20000	1		* REPAIR GASKET SET	11000S	---	1
30 *	RELIEF VALVE ASSY	46431-608	---	1		STAGING ADAPTOR	48272-003	---	1
31	TERM HSG/CABLE ASSY	47367-082	---	1		-DISCHARGE FLANGE	38641-006	---	1
32	STUD	C00506	17000	4		-DISCH FLANGE GSKT	38687-045	---	1
33	LOCK WASHER	J05	17090	4					
34	HEX NUT	D05	17000	4		LIQUID LEVEL DEVICES:			
35	CONNECTOR	S1718	---	1		DIAPHRAGM TYPE	GRP48-03 or GRP48-061		
36	HEAT-SHRINK TUBE	31411-235	19450	1		FLOAT TYPE	27471-180	---	1
37	BRG SPRING WASHER	S1554	---	1		120 VOLT CONTROL	47631-136	---	1

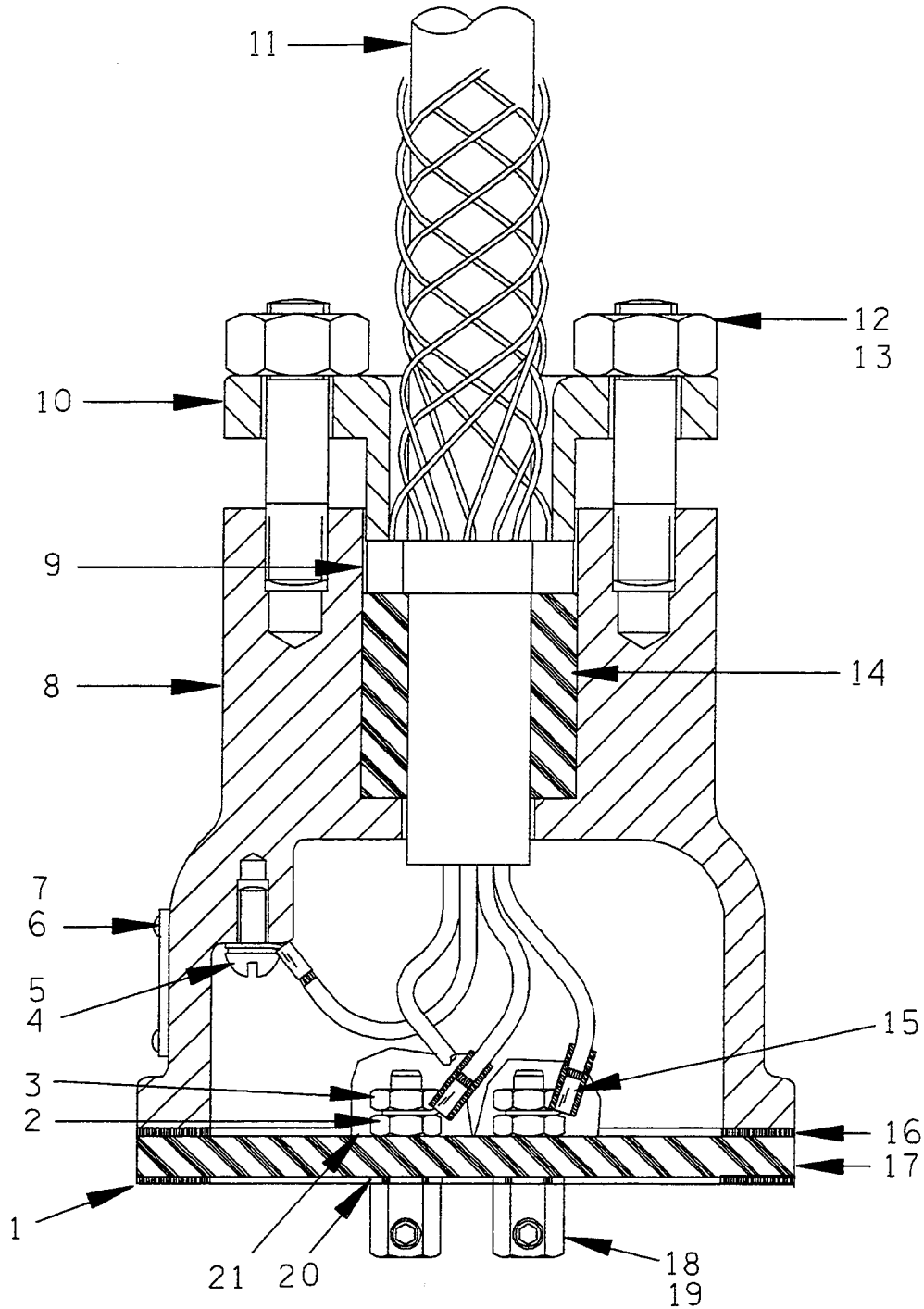
* INDICATES PARTS RECOMMENDED FOR STOCK

Above Serial Numbers Do Not Apply To Pumps Made In Canada.

CANADIAN SERIAL NO. AND UP

THE GORMAN-RUPP COMPANY • MANSFIELD, OHIO

GORMAN-RUPP OF CANADA LIMITED • ST. THOMAS, ONTARIO, CANADA Printed in U.S.A.



THE GORMAN-RUPP COMPANY • MANSFIELD, OHIO

GORMAN-RUPP OF CANADA LIMITED • ST. THOMAS, ONTARIO, CANADA Printed in U.S.A.

S/N 861279 Up
PUMP ISSUE 3

Terminal Housing

If your pump serial number is followed by an "N", your pump is NOT a standard production model. Contact the Gorman-Rupp Company to verify part numbers.

ITEM NO.		PART NAME	PART NUMBER	MAT'L CODE	QTY
1	*	LOWER TERMINAL PLATE GASKET	10321G	20000	1
2		HEX NUT	D#10	14990	3
3		HEX NUT	D#10	14990	3
4		ROUND HEAD MACHINE SCREW	X#10-01 1/2	14990	1
5		T TYPE LOCK WASHER	AK#10	15991	1
6		INFORMATION PLATE	38816-047	17990	1
7		DRIVE SCREW	BM#04-03	17000	4
8		TERMINAL HOUSING	10757	13040	1
9	*	CABLE GRIP	11227B	---	1
10		TERMINAL CAP	10756B	13040	1
11	*	CABLE ASSEMBLY	9166H	---	1
12		STUD	C0606	17000	2
13		HEX NUT	D06	17000	2
14	*	GLAND BUSHING	10758F	19100	1
15		HEAT SHRINK TUBE	31411-203	19530	3
16	*	UPPER TERMINAL PLATE GASKET	10321G	20000	1
17		TERMINAL PLATE	10320A	23010	1
18		TERMINAL	11181	14100	3
19		ROUND HEAD NYLOK MACHINE SCREW	GA#10-01S	15991	3
20		DYNA-SEAL WASHER	S1590	---	3
21		1 OZ. RTV SEALANT	18771-106	---	1

OPTIONAL:

		HEAT SHRINK TERMINAL KIT	48315-008	---	1
--	--	--------------------------	-----------	-----	---

* INDICATES PARTS RECOMMENDED FOR STOCK

THE GORMAN-RUPP COMPANY • MANSFIELD, OHIO

GORMAN-RUPP OF CANADA LIMITED • ST. THOMAS, ONTARIO, CANADA Printed in U.S.A.

**For U.S. and International Warranty Information,
Please Visit www.grpumps.com/warranty
or call:
U.S.: 419-755-1280
International: +1-419-755-1352**

**For Canadian Warranty Information,
Please Visit www.grcanada.com/warranty
or call:
519-631-2870**