

AC

Use With: OM-04151  
MR-04280

PUBLICATION NUMBER PL-04289-01

June 14, 1995; Rev. D 02/18/98

Supersedes: PL-04288-01

PL-04302-01



**PUMP MODELS**  
**S2B65 – E2 230/460/575/3**

**MANUAL**  
**PART 2 of 3**

**PARTS**  
**LIST**  
**WITH**  
**PERFORMANCE CURVE**

**THE GORMAN-RUPP COMPANY • MANSFIELD, OHIO**

GORMAN-RUPP OF CANADA LIMITED • ST. THOMAS, ONTARIO, CANADA Printed in U.S.A.

©Copyright by the Gorman-Rupp Company

## PERFORMANCE CURVE – SECTION A

### RECORDING MODEL AND SERIAL NUMBERS

Please record the pump model and serial number in the spaces provided below and in the separate Installation/Operation Manual accompanying your pump. Your Gorman-Rupp distributor needs this information when you require parts or service.

Pump Model: \_\_\_\_\_

Serial Number: \_\_\_\_\_

### WARRANTY INFORMATION

The pump warranty is provided as part of Gorman-Rupp's support program for customers who operate and maintain their equipment as described in this manual and other accompanying literature. Please note that should the equipment be abused or modified to change its performance beyond the original factory specifications, the warranty will become void and any claim will be denied.

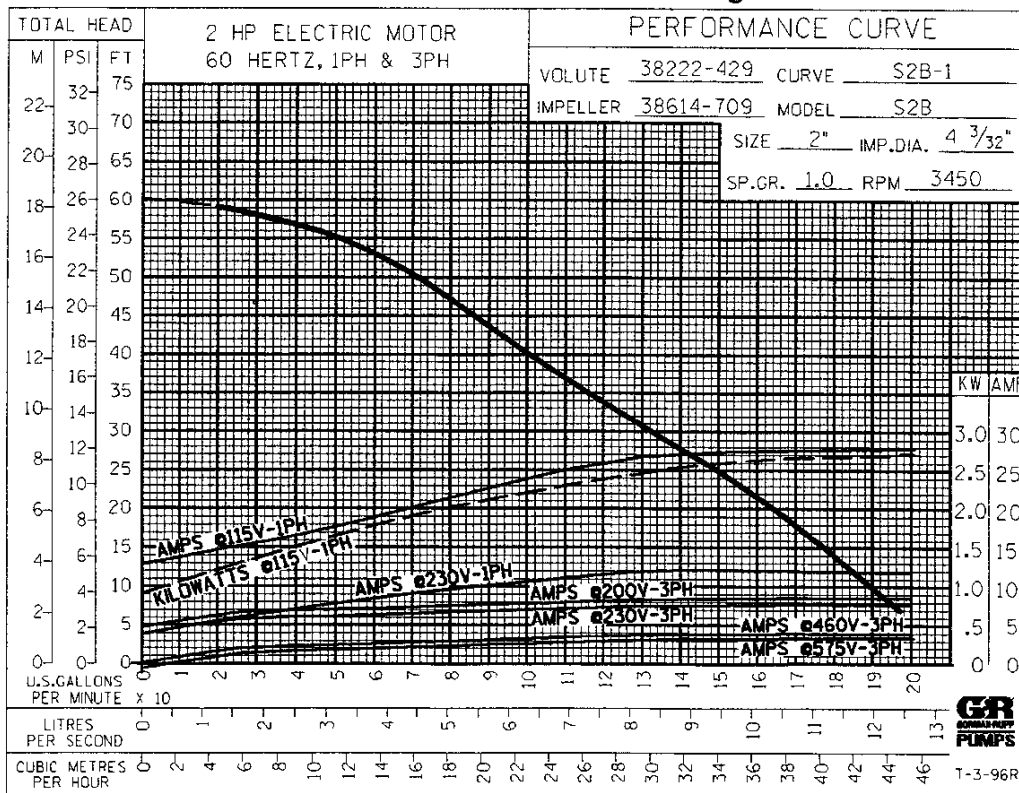
### PERFORMANCE CURVES

The performance curves on the following page are based on 70° F (21° C) clear water at sea level. Since pump installations are seldom identical, your performance may be different due to such factors as viscosity, specific gravity, elevation, temperature, and impeller trim.

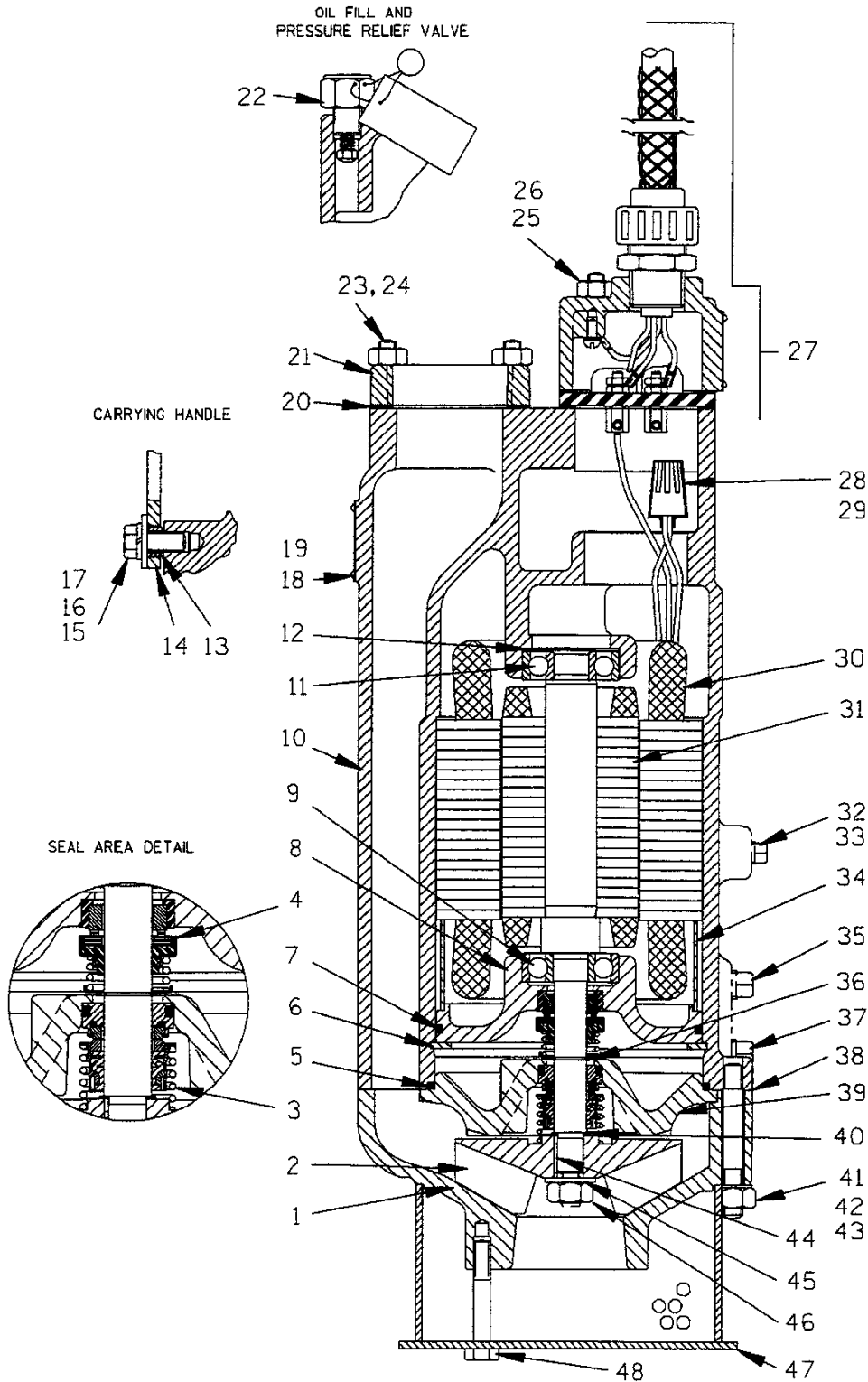
If your pump serial number is followed by an "N", your pump is **NOT** a standard production model. Contact the Gorman-Rupp Company to verify performance or part numbers.



Pump speed and operating condition points must be within the continuous performance range shown on the curve(s).



**Performance Curve – Models S2B65–E2 230/460/575/3**



**THE GORMAN-RUPP COMPANY • MANSFIELD, OHIO**

GORMAN-RUPP OF CANADA LIMITED • ST. THOMAS, ONTARIO, CANADA

Printed in U.S.A.

AUGUST 5, 1986  
Rev. D 02/18/98

©Copyright by the Gorman-Rupp Company

1 of 4  
Page 150.2 B16

S/N 852142 Up  
PUMP ISSUE 1

If your pump serial number is followed by an "N", your pump is NOT a standard production model. Contact the Gorman-Rupp Company to verify part numbers.

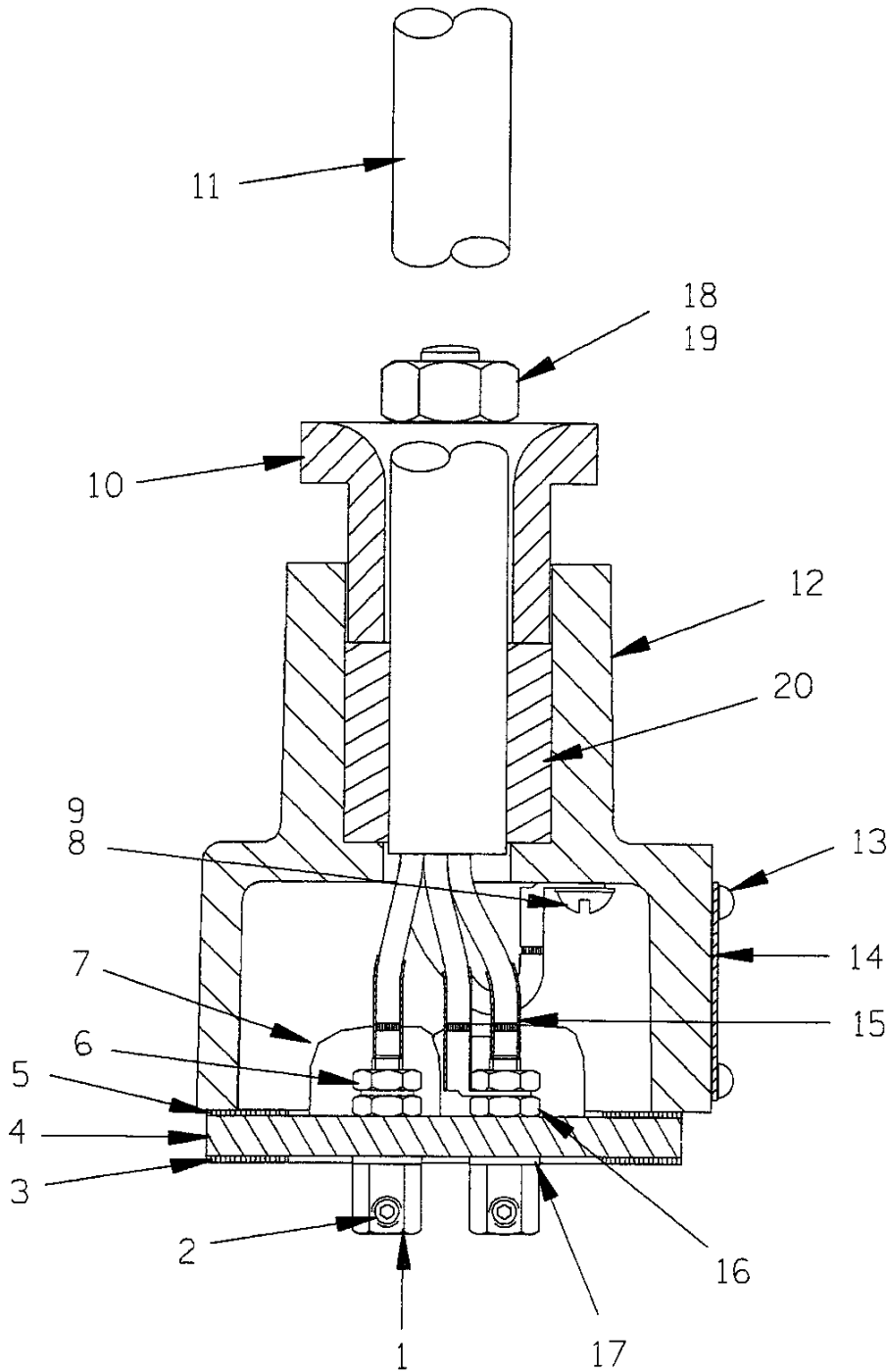
ITEM NO.	PART NAME	PART NUMBER	MAT'L CODE	QTY	ITEM NO.	PART NAME	PART NUMBER	MAT'L CODE	QTY
1	SUCTION CASING	38222-429	17180	1	36	SEAL SNAP RING	24124-322	----	1
2 *	IMPELLER	38614-709	1718H	1	37	SEAL CVTY DRAIN PLUG	P04	17090	1
3 *	LOWER SEAL ASSY	46512-069	----	1	38 *	SUCT CASING GSKT	38674-807	19370	1
4 *	UPPER SEAL ASSY	25271-824	----	1	39	SEAL PLATE	38272-830	1718H	1
5 *	SEAL PLATE O-RING	25154-250	----	1	40 *	IMP ADJ SHIM SET	669	17090	1
6	RETAINING RING	24121-077	----	1	41	STUD	C0610	17090	4
7 *	INTERMEDIATE O-RING	25152-248	----	1	42	LOCK WASHER	J06	17090	4
8	INTERMEDIATE BRACKET	38261-015	13040	1	43	HEX NUT	D06	17090	4
9 *	LOWER BALL BEARING	S1512	----	1	44 *	IMPELLER KEY	N0202-1/2	17090	1
10	MOTOR HOUSING	38311-029	17070	1	45	FLAT WASHER	21161-828	----	1
11 *	UPPER BALL BEARING	S1512	----	1	46	IMPELLER NUT	D06	17090	1
12	BRG SPRING WASHER	S1554	----	1	47 *	STRAINER ASSY	46611-009	24170	1
13 *	BAIL BUSHING	10194	17090	2	48	NYLOCK CAPSCREW	BT0508	17090	4
14	HOIST BAIL	10185A	17050	1	NOT SHOWN:				
15	HEX HD CAPSCREW	B0604	17090	2		CABLE TIE	27111-212	----	1
16	FLAT WASHER	KB06	17090	2		CONTROL BOX			
17	LOCK WASHER	J06	17090	2		-230/3	47631-127	----	1
18	NAME PLATE	38818-039	17090	1		-460/3	47631-128	----	1
19	DRIVE SCREW	BM#04-03	17090	6		-575/3	47631-129	----	1
20 *	DISCH FLANGE GSKT	10195G	19370	1		SUB. PUMP OIL	9568	----	1
21	DISCHARGE FLANGE	10195	17070	1		MOTOR VOLTAGE TAG			
22 *	RELIEF VALVE ASSY	46431-646	----	1		-230/3	38816-094	----	1
23	STUD	C0506	17090	4		-460/3	38816-093	----	1
24	HEX NUT	D05	17090	4		-575/3	38816-128	----	1
25	STUD	C0511	17090	4	OPTIONAL:				
26	HEX NUT	D05	17090	4		* REPAIR GASKET SET	11000Z	----	1
27	TERM HSG/CABLE ASSY	47367-050	----	1		ANODE PLATE ASSY	42116-001	----	1
28	CONNECTOR					STAGING ADAPTOR KIT:			
	-230/3	S1718	----	1		-FLANGE	10195	17070	1
	-460/3	S1718	----	3		-FLANGE GASKET	10195G	19370	1
	-575/3	DOES NOT APPLY				-STUD	C0506	17090	4
29 *	HEAT-SHRINK TUBE					-HEX NUT	D05	17090	4
	-230/3	31411-235	19450	1		LIQUID LEVEL DEVICES:			
	-460/3	31411-235	19450	3		-DIAPHRAGM TYPE	GRP48-03 or GRP48-061		
	-575/3	DOES NOT APPLY				-FLOAT TYPE	27471-180	----	1
30	STATOR	47113-854	----	1		120V LIQ LVL CONTROL			
31 *	ROTOR W/SHAFT ASSY	47112-802	----	1		-230/3 & 460/3	47631-136	----	1
32	ALLEN HD SETSCREW	GA0501-1/4	15990	1		-575/3	47631-072	----	1
33	PIPE PLUG	P02	17090	1					
34	MOTOR BUSHING	31173-018	23010	1					
35	PIPE PLUG	P04	17090	1					

\* INDICATES PARTS RECOMMENDED FOR STOCK

**THE GORMAN-RUPP COMPANY • MANSFIELD, OHIO**

GORMAN-RUPP OF CANADA LIMITED • ST. THOMAS, ONTARIO, CANADA

Printed in U.S.A.



**THE GORMAN-RUPP COMPANY • MANSFIELD, OHIO**

GORMAN-RUPP OF CANADA LIMITED • ST. THOMAS, ONTARIO, CANADA Printed in U.S.A.

©Copyright by the Gorman-Rupp Company

AUGUST 5, 1986  
Rev. D 02/18/98

S/N 852142 Up  
PUMP ISSUE 1

### Terminal Housing

If your pump serial number is followed by an "N", your pump is **NOT** a standard production model. Contact the Gorman-Rupp Company to verify part numbers.

ITEM NO.	PART NAME	PART NUMBER	MAT'L CODE	QTY
1	TERMINAL	11181	14100	3
2	ALLEN HD SETSCREW	GA#10-01S	15991	3
3	* LOWER FLANGE GASKET	10195G	19370	1
4	TERMINAL PLATE	38713-007	23010	1
5	* UPPER FLANGE GASKET	10195G	19370	1
6	HEX NUT	D#10	14990	3
7	1 OZ RTV SEALANT	18771-106	---	1
8	T TYPE LOCK WASHER	AK#10	15991	1
9	ROUND HEAD MACHINE SCREW	X#10-01 1/2	14990	1
10	TERMINAL CAP	38381-624	17070	1
11	* CABLE ASSEMBLY	47351-052	---	1
12	TERMINAL HOUSING	38381-229	17070	1
13	DRIVE SCREW	BM#04-03	17090	4
14	INFORMATION PLATE	38816-047	17050	1
15	* HEAT-SHRINK TUBE	31411-203	19530	3
16	HEX NUT	D#10	14990	3
17	* DYNA-SEAL WASHER	S1590	---	3
18	STUD	C0606	17090	2
19	HEX NUT	D06	17090	2
20	TERMINAL BUSHING	10758H	19540	1
NOT SHOWN				
	MOTOR PLATE	10436	17050	1
	DRIVE SCREW	BM#04-03	17090	4
OPTIONAL:				
	HEAT SHRINK TERMINAL KIT	48315-008	---	1

\* INDICATES PARTS RECOMMENDED FOR STOCK

## THE GORMAN-RUPP COMPANY • MANSFIELD, OHIO

GORMAN-RUPP OF CANADA LIMITED • ST. THOMAS, ONTARIO, CANADA Printed in U.S.A.

**For U.S. and International Warranty Information,  
Please Visit [www.grpumps.com/warranty](http://www.grpumps.com/warranty)**

**or call:**

**U.S.: 419-755-1280**

**International: +1-419-755-1352**

**For Canadian Warranty Information,  
Please Visit [www.grcanada.com/warranty](http://www.grcanada.com/warranty)**

**or call:**

**519-631-2870**

**THE GORMAN-RUPP COMPANY • MANSFIELD, OHIO**

**GORMAN-RUPP OF CANADA LIMITED • ST. THOMAS, ONTARIO, CANADA**