

AC

Use With: OM-04151
MR-04280

PUBLICATION NUMBER PL-04300-02
March 29, 2001



PUMP MODELS
S2E65 – E3.5 230/3
S2E65 – E3.5 460/3
S2E65 – E3.5 575/3

MANUAL
PART 2 of 3

PARTS
LIST
WITH
PERFORMANCE CURVE

THE GORMAN-RUPP COMPANY • MANSFIELD, OHIO

GORMAN-RUPP OF CANADA LIMITED • ST. THOMAS, ONTARIO, CANADA Printed in U.S.A.

©Copyright by the Gorman-Rupp Company

PERFORMANCE CURVE – SECTION A

RECORDING MODEL AND SERIAL NUMBERS

Please record the pump model and serial number in the spaces provided below and in the separate Installation/Operation Manual accompanying your pump. Your Gorman-Rupp distributor needs this information when you require parts or service.

Pump Model: _____

Serial Number: _____

WARRANTY INFORMATION

The pump warranty is provided as part of Gorman-Rupp's support program for customers who operate and maintain their equipment as described in this manual and other accompanying literature. Please note that should the equipment be abused or modified to change its performance beyond the original factory specifications, the warranty will become void and any claim will be denied.

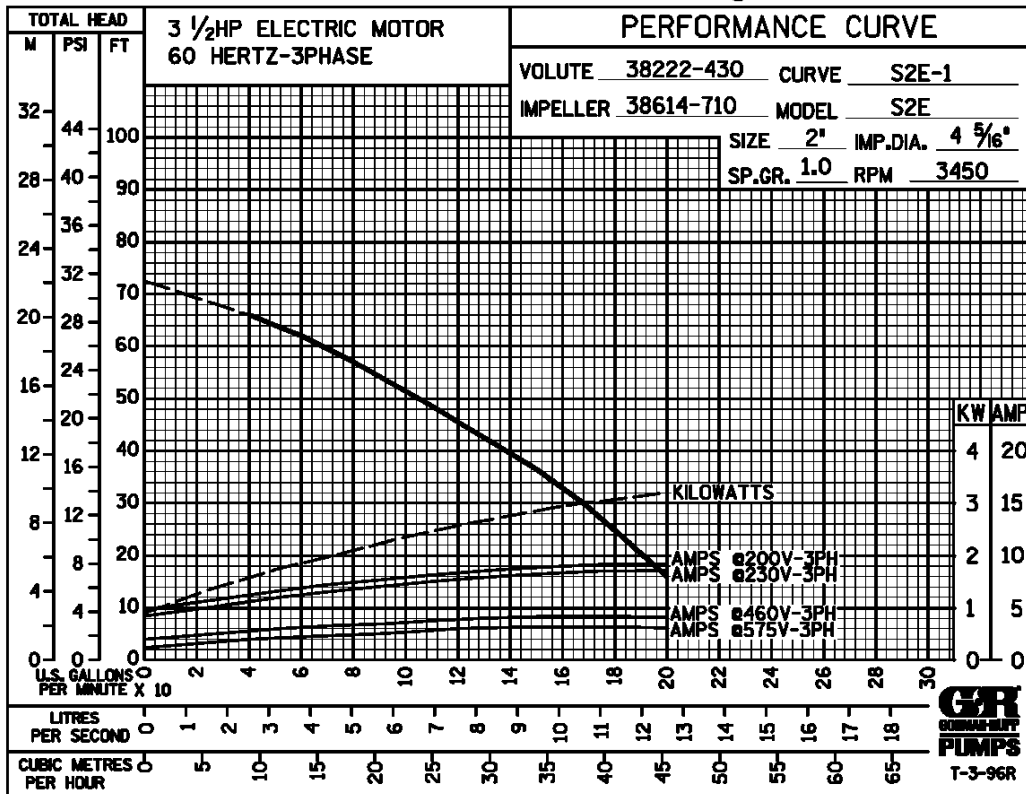
PERFORMANCE CURVE

The performance curve below is based on 70° F (21° C) clear water at sea level. Since pump installations are seldom identical, your performance may be different due to such factors as viscosity, specific gravity, elevation, temperature, and impeller trim.

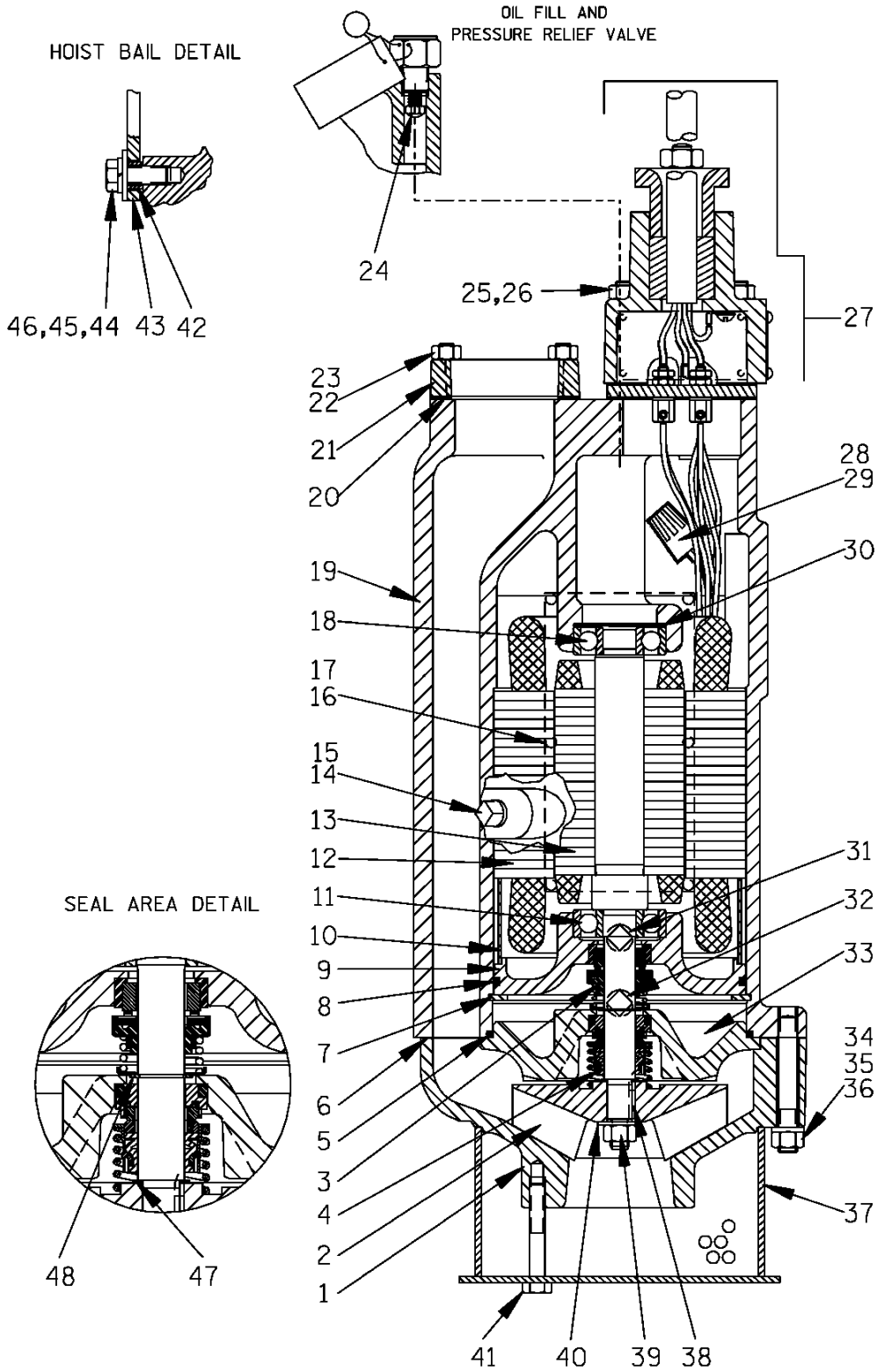
If your pump serial number is followed by an "N", your pump is **NOT** a standard production model. Contact the Gorman-Rupp Company to verify performance or part numbers.



Pump speed and operating condition points must be within the continuous performance range shown on the curve(s).



Performance Curve – Models S2E65–E3.5 230/460/575/3



THE GORMAN-RUPP COMPANY • MANSFIELD, OHIO

GORMAN-RUPP OF CANADA LIMITED • ST. THOMAS, ONTARIO, CANADA

Printed in U.S.A.

March 29, 2001

©Copyright by the Gorman-Rupp Company

1 of 4

Page 150.2 E10

S/N 1241822 Up
PUMP ISSUE 2

If your pump serial number is followed by an "N", your pump is **NOT** a standard production model. Contact the Gorman-Rupp Company to verify part numbers.

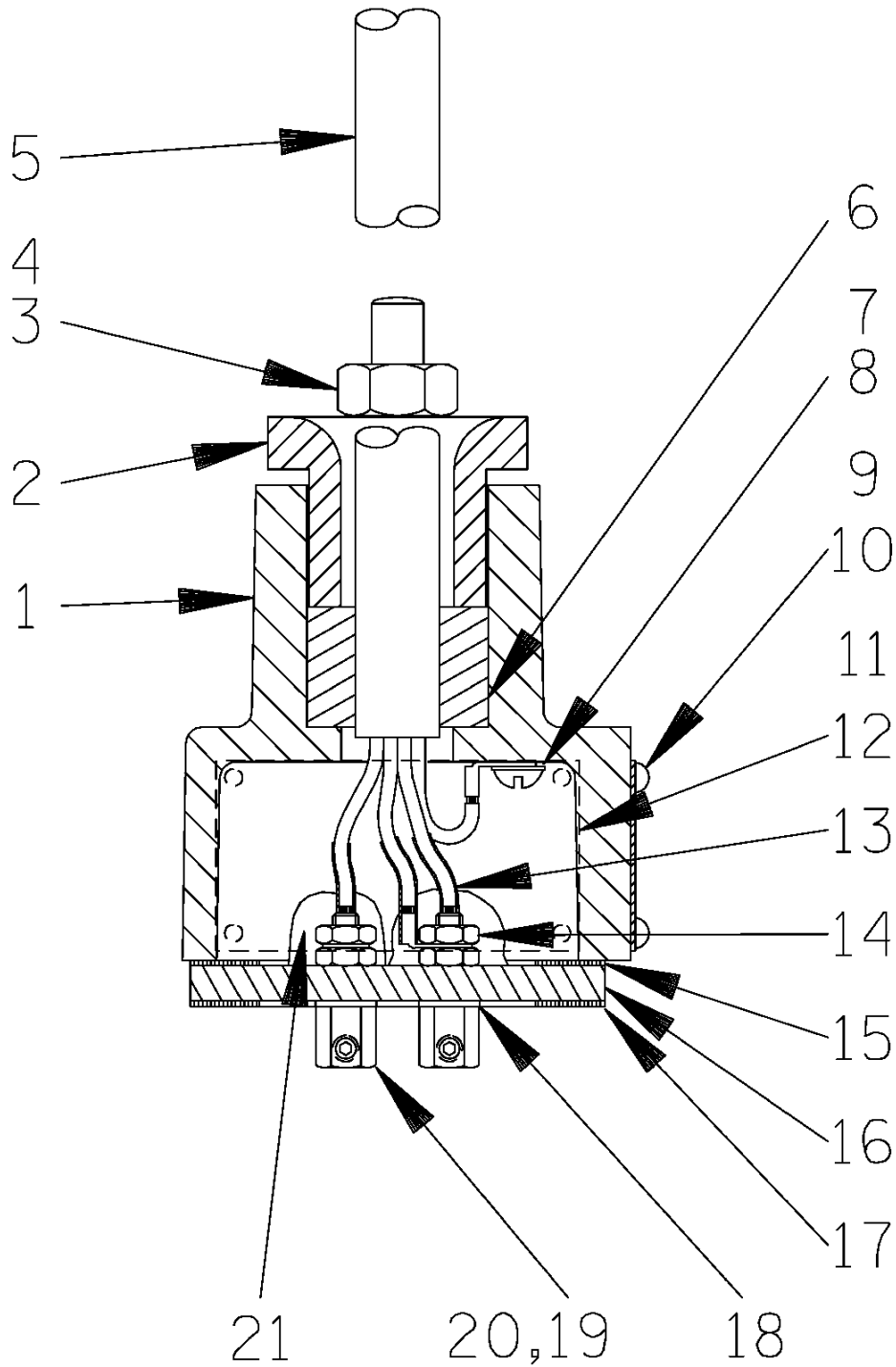
ITEM NO.	PART NAME	PART NUMBER	MAT'L CODE	QTY	ITEM NO.	PART NAME	PART NUMBER	MAT'L CODE	QTY
1	SUCTION CASING	38222-430	17180	1	38 *	IMPELLER KEY	N0202-1/2	17090	1
2 *	IMPELLER	38614-710	1718H	1	39	IMPELLER NUT	D06	17090	1
3 *	UPPER SEAL ASSY	25271-824	----	1	40	FLAT WASHER	21161-828	----	1
4 *	LOWER SEAL ASSY	46512-069	----	1	41	NYLOCK CAPSCREW	BT0508	17090	4
5 *	SEAL PLATE O-RING	25154-250	----	1	42 *	BAIL BUSHING	10194	17090	2
6 *	SUCT CASING GSKT	38674-807	19370	1	43	HOIST BAIL	10185A	17050	1
7	RETAINING RING	24121-077	----	1	44	HEX HD CAPSCREW	B0604	17090	2
8 *	INTERMEDIATE O-RING	25152-248	----	1	45	FLAT WASHER	KB06	17090	2
9	INTERMEDIATE BRACKET	38261-015	13040	1	46	LOCK WASHER	J06	17090	2
10	MOTOR BUSHING	31173-018	23010	1	47 *	IMP ADJ SHIM SET	669	17090	1
11 *	LOWER BALL BEARING	S1512	----	1	48	SEAL SNAP RING	24124-322	----	1
12	STATOR				NOT SHOWN:				
	-230/3 & 460/3	47113-854	----	1		CABLE TIE	27111-212	----	1
	-575/3	47113-864	----	1		CONTROL BOX			
13 *	ROTOR W/SHAFT ASSY	47112-802	----	1		-230/3	27515-561	----	1
14	ALLEN HD SETSCREW	GA0501-1/4	15990	1		-460/3	27515-561	----	1
15	PIPE PLUG	P02	17090	1		-575/3	27515-565	----	1
16	NAME PLATE	38818-039	17090	1		SUB. PUMP OIL	9568	----	1
17	DRIVE SCREW	BM#04-03	17000	6		MOTOR VOLTAGE TAG			
18 *	UPPER BALL BEARING	S1512	----	1		-230/3	38816-094	----	1
19	MOTOR HOUSING	38311-029	17070	1		-460/3	38816-093	----	1
20 *	DISCH FLANGE GSKT	10195G	19370	1		-575/3	38816-128	----	1
21	DISCHARGE FLANGE	10195	17070	1		INSTRUCTION TAG	6588AC	----	1
22	STUD	C0506	17090	4		HEATER PACK			
23	HEX NUT	D05	17090	4		-230/3	27521-203	----	1
24 *	RELIEF VALVE ASSY	46431-646	----	1		-460/3	27521-201	----	1
25	STUD	C0511	17090	4		-575/3	27521-201	----	1
26	HEX NUT	D05	17090	4	OPTIONAL:				
27	TERM HSG/CABLE ASSY	47367-050	----	1		* REPAIR GASKET SET	11000Z	----	1
28	CONNECTOR					ANODE PLATE ASSY	42116-001	----	1
	-230/3	S1718	----	1		STAGING ADAPTOR:			
	-460/3	S1718	----	3		-FLANGE	10195	17070	1
	-575/3	DOES NOT APPLY				-FLANGE GSKT	10195G	19370	1
29 *	HEAT-SHRINK TUBE					-STUD	C0506	17090	4
	-230/3	31411-235	19450	1		-HEX NUT	D05	17090	4
	-460/3	31411-235	19450	3		LIQUID LEVEL DEVICES:			
	-575/3	DOES NOT APPLY				-DIAPHRAGM TYPE	GRP48-03 or GRP48-061		
30	BRG SPRING WASHER	S1554	----	1		-FLOAT TYPE	27471-180	----	1
31	PIPE PLUG	P04	17090	1		120V LIQ LVL CONTROL			
32	SEAL CVTY DRAIN PLUG	P04	17090	1		-230/3 & 460/3	27521-322	----	1
33	SEAL PLATE	38272-830	1718H	1		-575/3	47631-072	----	1
34	STUD	C0611	17090	4					
35	LOCK WASHER	J06	17090	4					
36	HEX NUT	D06	17090	4					
37 *	STRAINER ASSY	46611-009	24170	1					

* INDICATES PARTS RECOMMENDED FOR STOCK

THE GORMAN-RUPP COMPANY • MANSFIELD, OHIO

GORMAN-RUPP OF CANADA LIMITED • ST. THOMAS, ONTARIO, CANADA

Printed in U.S.A.



THE GORMAN-RUPP COMPANY • MANSFIELD, OHIO

GORMAN-RUPP OF CANADA LIMITED • ST. THOMAS, ONTARIO, CANADA Printed in U.S.A.

March 29, 2001

©Copyright by the Gorman-Rupp Company

3 of 4
Page 150.2 E10

S/N 1241822 Up
PUMP ISSUE 2

ITEM NO.	PART NAME	PART NUMBER	MAT'L CODE	QTY
1	TERMINAL HOUSING	38381-229	17070	1
2	TERMINAL CAP	38381-624	17070	1
3	STUD	C0606	17090	2
4	HEX NUT	D06	17090	2
5	* CABLE ASSEMBLY	47351-052	---	1
6	TERMINAL BUSHING	10758H	19540	1
7	ROUND HEAD MACHINE SCREW	X#10-01 1/2	14990	1
8	T TYPE LOCK WASHER	AK#10	15991	1
9	INFORMATION PLATE	38816-047	17050	1
10	DRIVE SCREW	BM#04-03	17090	4
11	MOTOR PLATE	10436	17050	1
12	DRIVE SCREW	BM#04-03	17090	4
13	* HEAT-SHRINK TUBE	31411-203	19530	3
14	HEX NUT	D#10	14990	6
15	* UPPER FLANGE GASKET	10195G	19370	1
16	TERMINAL PLATE	38713-007	23010	1
17	* LOWER FLANGE GASKET	10195G	19370	1
18	* DYNA-SEAL WASHER	S1590	---	3
19	TERMINAL	11181	14100	3
20	ALLEN HD SETSCREW	GA#10-01S	15991	3
21	1 OZ RTV SEALANT	18771-106	---	1
OPTIONAL:				
	HEAT SHRINK TERMINAL KIT	48315-008	-----	1

* INDICATES PARTS RECOMMENDED FOR STOCK

THE GORMAN-RUPP COMPANY • MANSFIELD, OHIO

GORMAN-RUPP OF CANADA LIMITED • ST. THOMAS, ONTARIO, CANADA

Printed in U.S.A.

**For U.S. and International Warranty Information,
Please Visit www.grpumps.com/warranty**

or call:

U.S.: 419-755-1280

International: +1-419-755-1352

**For Canadian Warranty Information,
Please Visit www.grcanada.com/warranty**

or call:

519-631-2870

THE GORMAN-RUPP COMPANY • MANSFIELD, OHIO

GORMAN-RUPP OF CANADA LIMITED • ST. THOMAS, ONTARIO, CANADA