

C

Use With: OM-04417
MR-04441

PUBLICATION NUMBER PL-04444-01
Pump Issue 1
April 1, 1996
Supersedes: OM-03269-01



PUMP MODEL
SM4C65-X10 460/575/3

MANUAL
PART 2 of 3

PARTS
LIST
WITH
PERFORMANCE CURVE

THE GORMAN-RUPP COMPANY • MANSFIELD, OHIO

GORMAN-RUPP OF CANADA LIMITED • ST. THOMAS, ONTARIO, CANADA Printed in U.S.A.

©Copyright by the Gorman-Rupp Company

PERFORMANCE CURVE – SECTION A

RECORDING MODEL AND SERIAL NUMBERS

Please record the pump model and serial number in the spaces provided below and in the separate Installation/Operation Manual accompanying your pump. Your Gorman-Rupp distributor needs this information when you require parts or service.

Pump Model: _____

Serial Number: _____

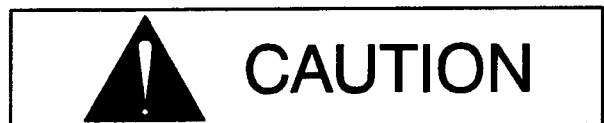
WARRANTY INFORMATION

The pump warranty is provided as part of Gorman-Rupp's support program for customers who operate and maintain their equipment as described in this manual and other accompanying literature. Please note that should the equipment be abused or modified to change its performance beyond the original factory specifications, the warranty will become void and any claim will be denied.

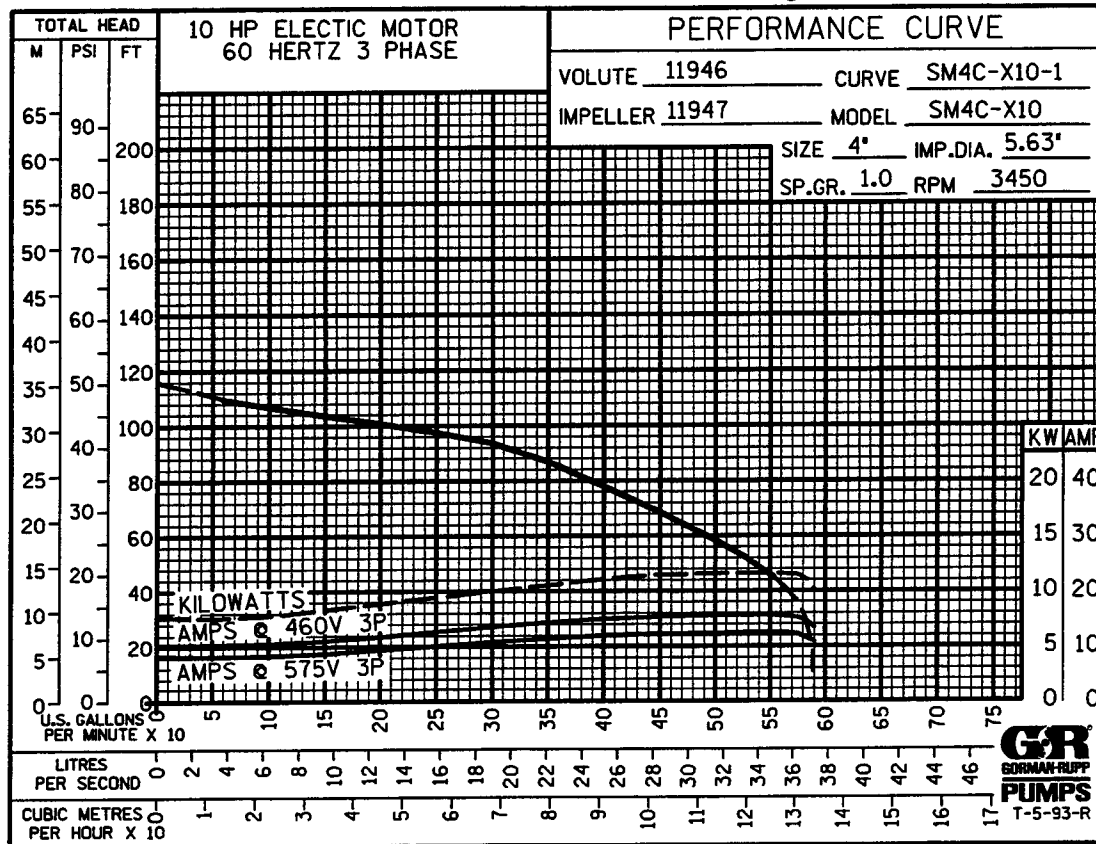
PERFORMANCE CURVES

The performance curve on this page is based on 70° F (21° C) clear water at sea level. Since pump installations are seldom identical, your performance may be different due to such factors as viscosity, specific gravity, elevation, temperature, and impeller trim.

If your pump serial number is followed by an "N", your pump is **NOT** a standard production model. Contact the Gorman-Rupp Company to verify performance or part numbers.



Pump speed and operating condition points must be within the continuous performance range shown on the curve(s).

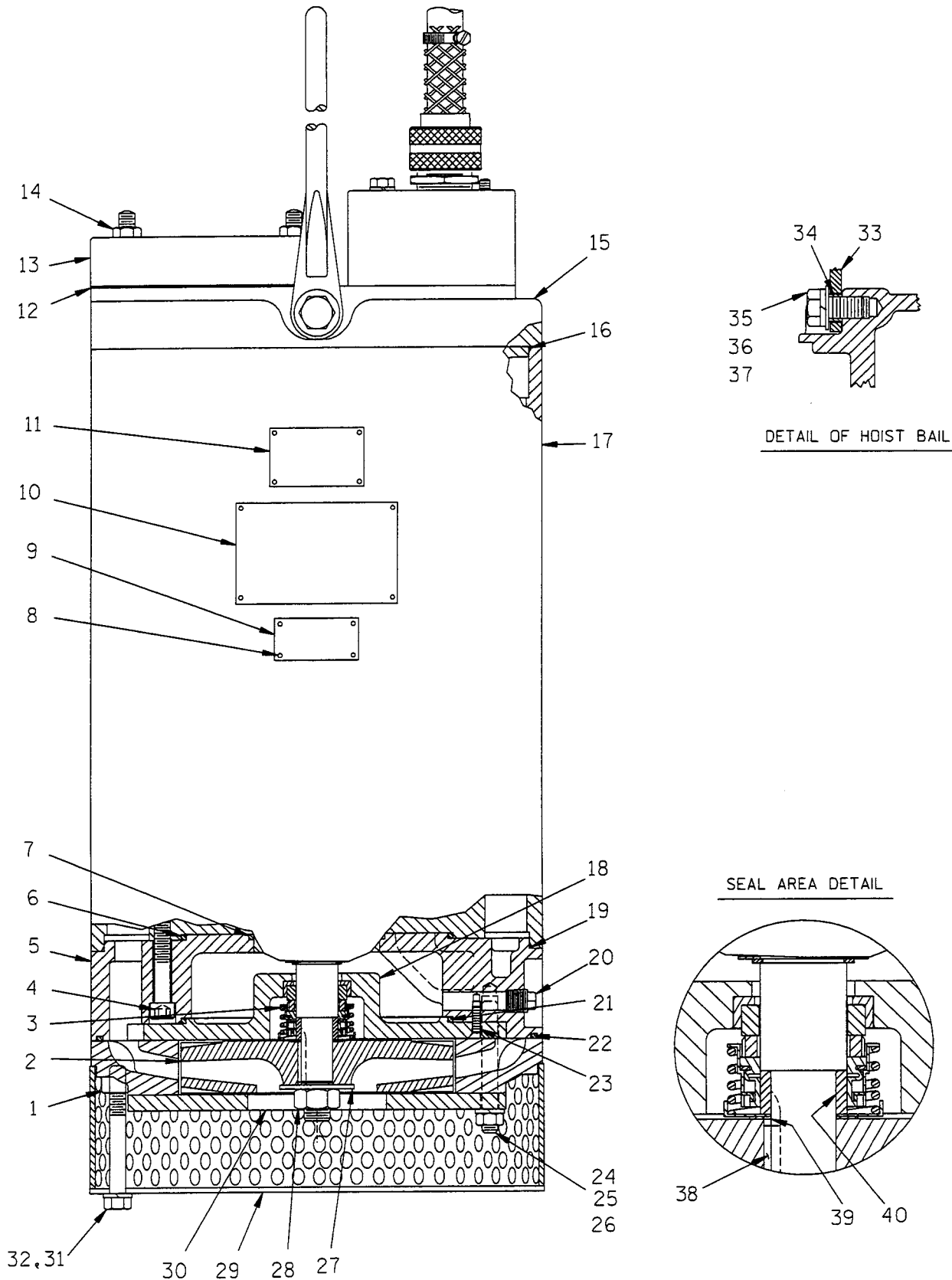


Performance Curve – Model SM4C65-X10 460/575/3

C

SM4C65-X10 460/575/3

S/N 915775 Up
PUMP ISSUE 1



THE GORMAN-RUPP COMPANY • MANSFIELD, OHIO

GORMAN-RUPP OF CANADA LIMITED • ST. THOMAS, ONTARIO, CANADA Printed in U.S.A.

1 of 4

JUNE 1, 1989 Rev. B 04/01/96

©Copyright by the Gorman-Rupp Company

Page 154.4 C3

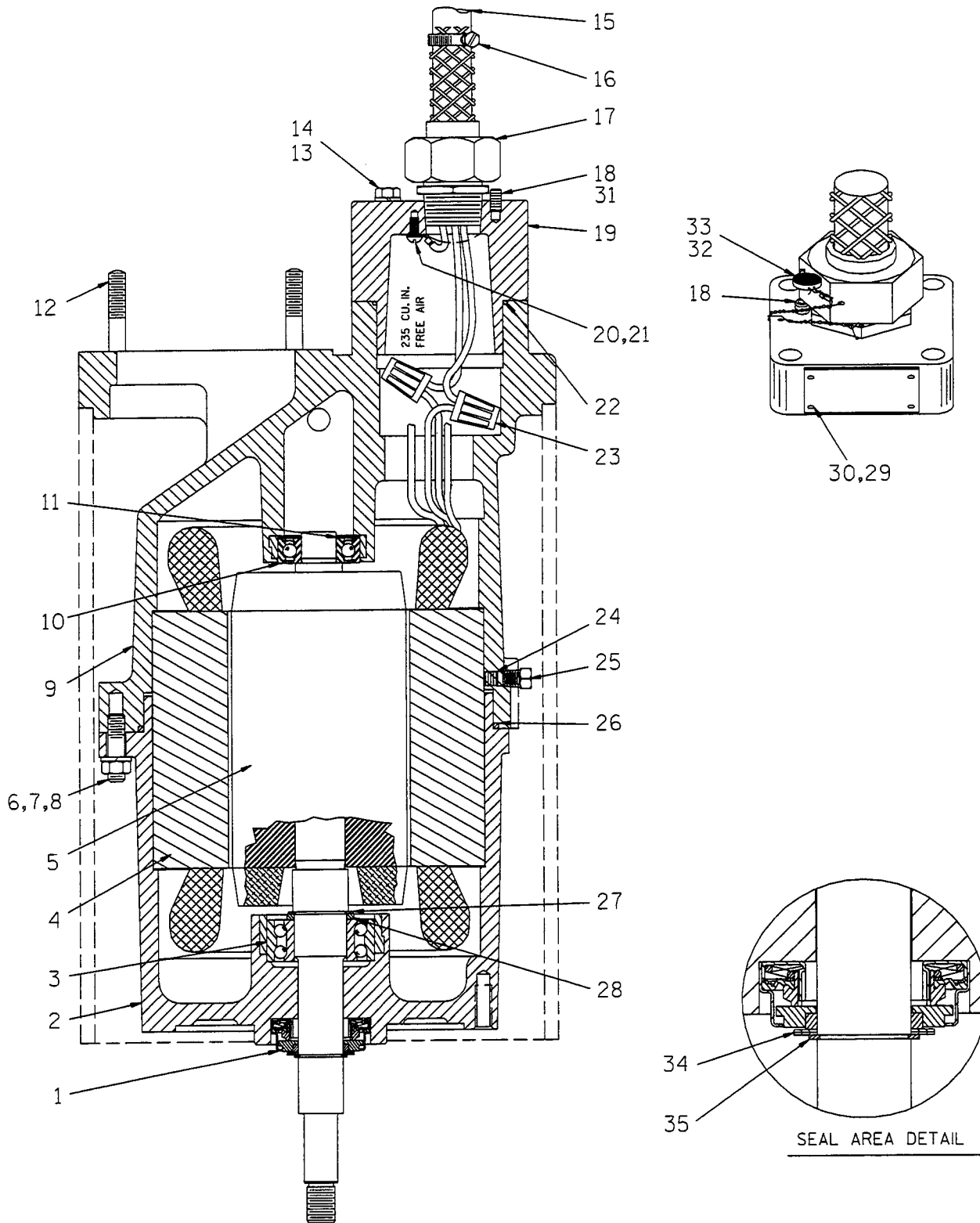
S/N 915775 Up
PUMP ISSUE 1

If your pump serial number is followed by an "N", your pump is **NOT** a standard production model. Contact the Gorman-Rupp Company to verify part numbers.

ITEM NO.	PART NAME	PART NUMBER	MAT'L CODE	QTY	ITEM NO.	PART NAME	PART NUMBER	MAT'L CODE	QTY
1	DIFFUSER	11946	1718H	1	27	FLAT WASHER	KB10	17090	1
2 *	IMPELLER	11947	1718H	1	28 *	IMPELLER NUT	D10S	17090	1
3 *	SEAL ASSEMBLY	46512-070	---	1	29	STRAINER ASSY	11969	17050	1
4	SCKT HD CAPSCREW	DM0609	17090	3	30 *	WEAR PLATE	11948	1718H	1
5	INTERMEDIATE	38261-027	17040	1	31	HEX HD CAPSCREW	B0610	17090	3
6 *	INTERMEDIATE O-RING	25154-259	---	1	32	LOCKWASHER	J06	17090	3
7 *	INTERMEDIATE O-RING	25154-234	---	1	33	HOIST BAIL	11959	24170	1
8	DRIVE SCREW	BM#04-03	17090	12	34	BAIL BUSHING	9562	17120	2
9	PENN DOER APPL PLATE	2613FL	17040	1	35	FLAT WASHER	KE08	17090	2
10 *	MSHA PLATE	2613ES	17040	1	36	LOCKWASHER	J08	17090	2
11	NAME PLATE	2613DD	17040	1	37	HEX HD CAPSCREW	B0804	17090	2
12 *	DISCH FLANGE GASKET	11957G	19370	1	38 *	IMPELLER KEY	N0303 1/2	17090	1
13	DISCHARGE FLANGE	11957	17070	1	39 *	IMPELLER ADJ SHIM SET	2Y	17090	1
14	HEX NUT	D06	17090	4	40 *	SHAFT SLEEVE	13878	17090	1
15	MOTOR ASSEMBLY				NOT SHOWN:				
	-460V	47111-072	---	1		QT SUB PUMP OIL	9568	---	1
	-575V	47111-073	---	1		VOLTAGE TAG			
16 *	PUMP CASING O-RING	25154-274	---	1		-460V	6588BL	---	1
17	PUMP CASING	38311-806	17040	1		-575V	6588BM	---	1
18	SEAL PLATE	13882	1718H	1		CONTROL BOX			
19 *	INTERMEDIATE O-RING	25154-274	-----	1		-460V	47631-150	---	1
20	SEAL CAVITY FILL PLUG	P04	17090	1		-575V	47631-151	---	1
21 *	SEAL PLATE O-RING	25154-259	---	1	OPTIONAL:				
22 *	DIFFUSER O-RING	25154-274	---	1		STAGING ADAPTOR KIT	48272-011	---	1
23	FLT HD MACH SCREW	Y#10-03	17090	3		ADI IMPELLER	11947	1102H	1
24	STUD	C0616	17090	3		ADI DIFFUSER	11946	1102H	1
25	LOCKWASHER	J06	17090	3		ADI SEAL PLATE	13882	1102H	1
26	HEX NUT	D06	17090	3					

* INDICATES PARTS RECOMMENDED FOR STOCK

THE GORMAN-RUPP COMPANY • MANSFIELD, OHIO



S/N 915775 Up
PUMP ISSUE 1

ITEM NO.		PART NAME	PART NUMBER	MAT'L CODE	QTY
1	*	MECH SEAL ASSY	25276-031	---	1
2		LOWER MOTOR HOUSING	38311-044	17040	1
3	*	BALL BEARING	23425-007	---	1
4		STATOR (460V)	47113-815	---	1
		STATOR (575V)	47113-816	---	1
5		ROTOR & SHAFT ASSY	47112-813	---	1
6		STUD	C0606	17090	8
7		DEFORM LOCKNUT	DD06	17090	8
8		LOCKWASHER	J06	17090	8
9		UPPER MOTOR HOUSING	38311-043	17040	1
10	*	BALL BEARING	23257-009	---	1
11		SPRING WASHER	S1554	---	1
12		STUD	C0609	17090	4
13		HEX HD CAPSCREW	B0511	17090	4
14		LOCKWASHER	J05	17090	4
15	*	CABLE ASSY - 50 FT.	47351-011	---	1
16		HOSE CLAMP	26518-766	---	1
17		CABLE GRIP ASSY	27111-816	---	1
18		ALLEN HEAD SETSCREW	GA0402	17090	1
19		TERMINAL HOUSING	38381-225	17040	1
20		T-TYPE LOCKWASHER	AK#10	15991	2
21		RD HD MACH SCREW	X#10-01 1/2	14990	2
22	*	TERMINAL HOUSING O-RING	25154-149	---	1
23		CONNECTOR	S1718	---	5
24		ALLEN HEAD SETSCREW	GA0501 1/4	15990	2
25		PIPE PLUG	38649-022	17090	2
26	*	MOTOR HOUSING O-RING	25154-265	---	1
27		SNAP RING	S1831	---	1
28		BEARING SPACER	21161-401	---	1
29		CERTIFICATION PLATE	2613GX	17040	1
30		DRIVE SCREW	BM#04-03	17090	4
31		ALLEN HEAD SETSCREW	GA0401	17090	1
32		LEAD SEAL	21188-002	---	1
33		WIRE - 14 IN.	14964-103	---	1
34	*	ADJUSTING SHIM SET	2X	17090	1
35		RETAINING RING	24124-332	---	1

OPTIONAL:

REPAIR BEARING KIT	48124-902	---	1
HOT-MELT ADHESIVE (1/2 IN. STICK)	18661-044	---	1

* INDICATES PARTS RECOMMENDED FOR STOCK

THE GORMAN-RUPP COMPANY • MANSFIELD, OHIO

**For U.S. and International Warranty Information,
Please Visit www.grpumps.com/warranty
or call:
U.S.: 419-755-1280
International: +1-419-755-1352**

**For Canadian Warranty Information,
Please Visit www.grcanada.com/warranty
or call:
519-631-2870**