

C

Use With: OM-04417  
MR-04838

PUBLICATION NUMBER PL-04445-03  
February 27, 1998; Rev. A 04/06/98



# PUMP MODELS SM4D1 - X10 460/575/3

**MANUAL  
PART 2 of 3**

**PARTS  
LIST  
WITH  
PERFORMANCE CURVE**

**THE GORMAN-RUPP COMPANY • MANSFIELD, OHIO**

GORMAN-RUPP OF CANADA LIMITED • ST. THOMAS, ONTARIO, CANADA Printed in U.S.A.

© Copyright by the Gorman-Rupp Company

Register your new  
Gorman-Rupp pump online at  
**[www.grpumps.com/register](http://www.grpumps.com/register)**.

Valid serial number and e-mail address required.

**RECORD YOUR PUMP MODEL AND SERIAL NUMBER**

Please record your pump model and serial number in the spaces provided below. Your Gorman-Rupp distributor needs this information when you require parts or service.

Pump Model: \_\_\_\_\_

Serial Number: \_\_\_\_\_

## PERFORMANCE CURVE – SECTION A

### RECORDING MODEL AND SERIAL NUMBERS

Please record the pump model and serial number in the spaces provided below and in the separate Installation/Operation Manual accompanying your pump. Your Gorman-Rupp distributor needs this information when you require parts or service.

Pump Model: \_\_\_\_\_

Serial Number: \_\_\_\_\_

### WARRANTY INFORMATION

The pump warranty is provided as part of Gorman-Rupp's support program for customers who operate and maintain their equipment as described in this manual and other accompanying literature. Please note that should the equipment be abused or modified to change its performance beyond the original factory specifications, the warranty will become void and any claim will be denied.

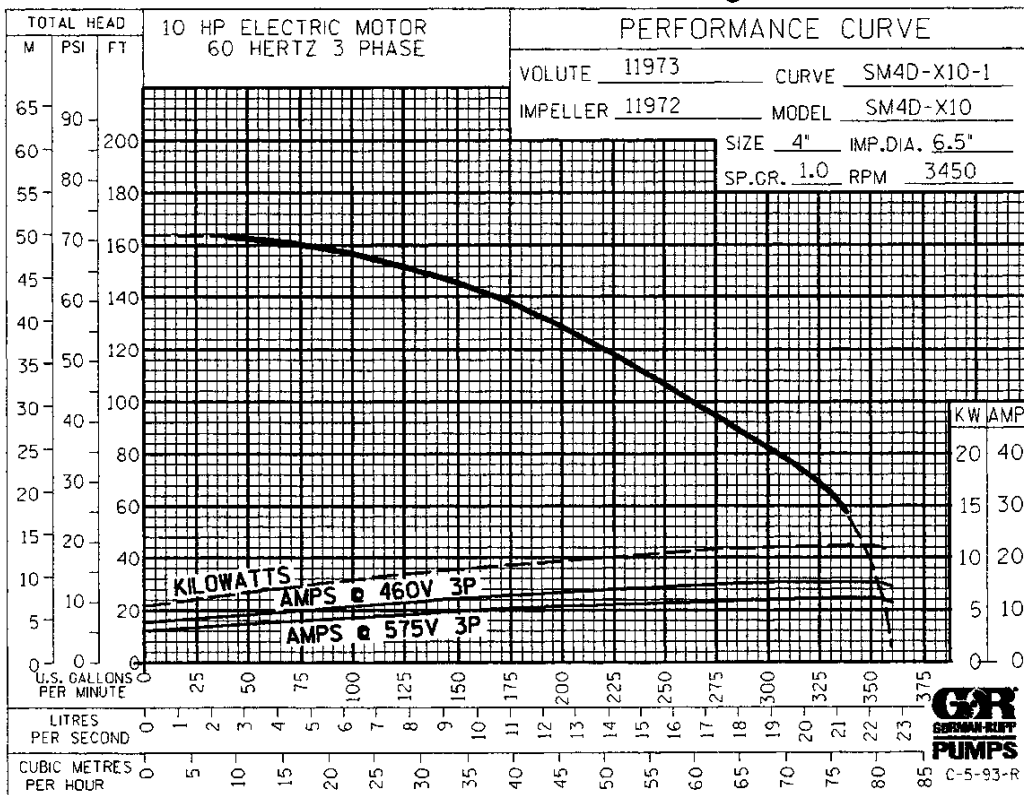
### PERFORMANCE CURVES

The performance curve on this page is based on 70° F (21° C) clear water at sea level. Since pump installations are seldom identical, your performance may be different due to such factors as viscosity, specific gravity, elevation, temperature, and impeller trim.

If your pump serial number is followed by an "N", your pump is **NOT** a standard production model. Contact the Gorman-Rupp Company to verify performance or part numbers.



Pump speed and operating condition points must be within the continuous performance range shown on the curve(s).

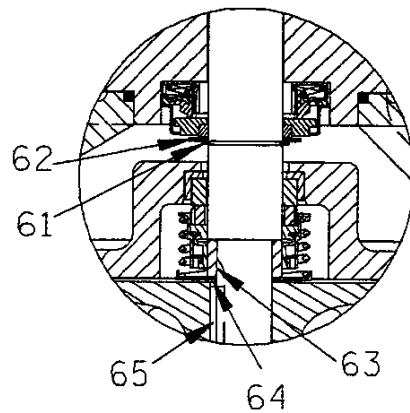
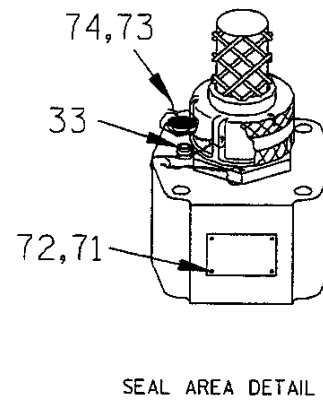
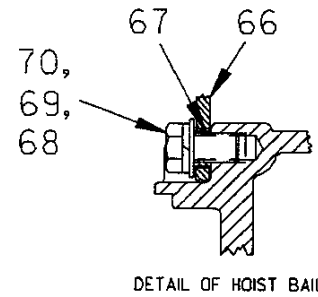
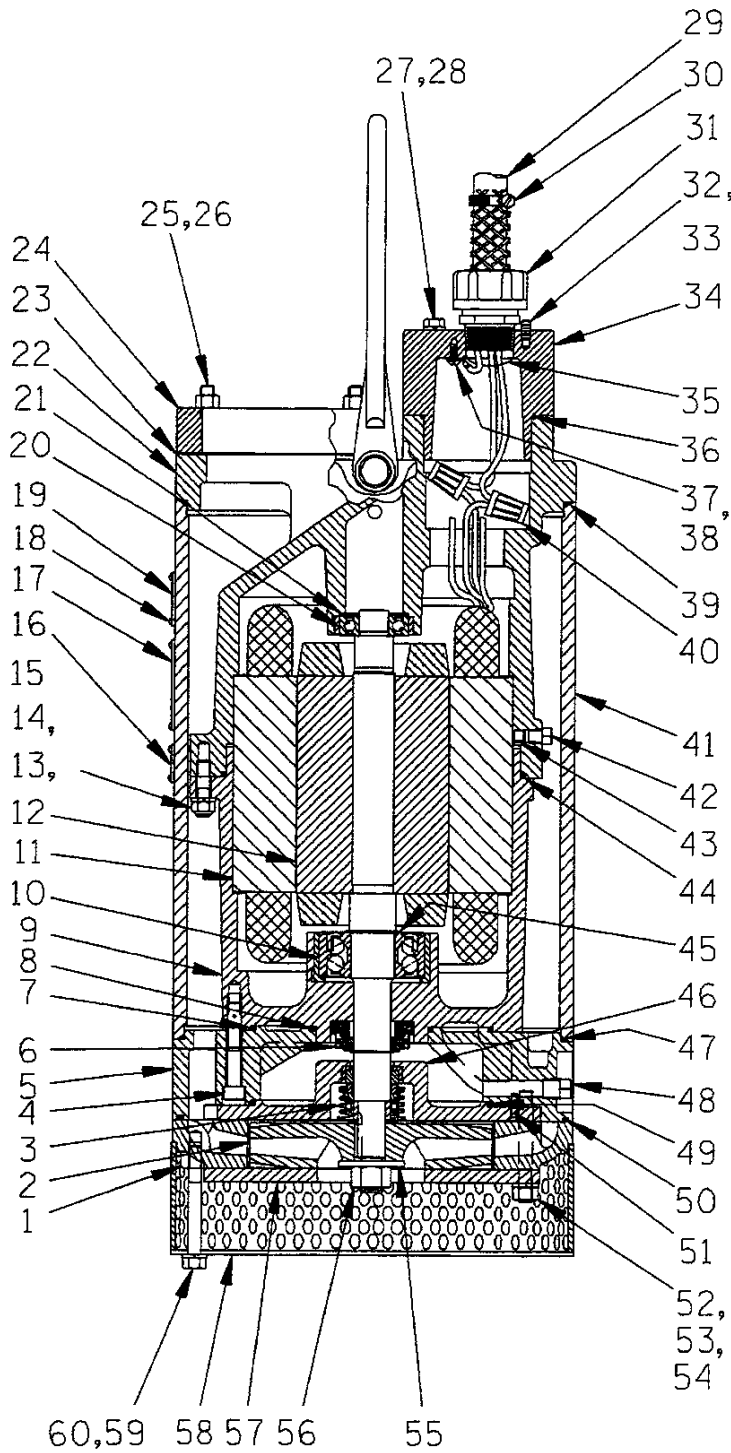


**Performance Curve – Model SM4D1-X10 460/575/3**

C

# SM4D1-X10 460/575/3

S/N 1142900 Up  
PUMP ISSUE 3



**THE GORMAN-RUPP COMPANY • MANSFIELD, OHIO**

GORMAN-RUPP OF CANADA LIMITED • ST. THOMAS, ONTARIO, CANADA Printed in U.S.A.

February 27, 1998

©Copyright by the Gorman-Rupp Company

1 of 2  
Page 154.4 D1

**SM4D1-X10 460/575/3**

**C**

**S/N 1142900 Up  
PUMP ISSUE 3**

If your pump serial number is followed by an "N", your pump is **NOT** a standard production model. Contact the Gorman-Rupp Company to verify part numbers.

| ITEM NO. | PART NAME            | PART NUMBER | MAT'L CODE | QTY | ITEM NO. | PART NAME             | PART NUMBER | MAT'L CODE | QTY |
|----------|----------------------|-------------|------------|-----|----------|-----------------------|-------------|------------|-----|
| 1        | DIFFUSER             | 11973       | 1102H      | 1   | 43       | A HD SETSCREW         | GA0501 1/4  | 15990      | 2   |
| 2 *      | IMPELLER             | 11972       | 1102H      | 1   | 44 *     | MOTOR HOUSING O-RING  | 25152-265   | ----       | 1   |
| 3 *      | SEAL ASSEMBLY        | 46512-057   | ----       | 1   | 45       | SNAP RING             | S1831       | ----       | 1   |
| 4        | SCKT HD CAPSCREW     | DM0609      | 17000      | 3   | 46       | SEAL PLATE            | 13882       | 1102H      | 1   |
| 5        | INTERMEDIATE         | 38261-023   | 13040      | 1   | 47 *     | INTERMEDIATE O-RING   | S1830       | ----       | 1   |
| 6 *      | SEAL ASSEMBLY        | 25276-031   | ----       | 1   | 48       | SEAL CAVITY FILL PLUG | P04         | 17000      | 1   |
| 7 *      | INTERMEDIATE O-RING  | 25152-259   | ----       | 1   | 49 *     | SEAL PLATE O-RING     | 25152-259   | ----       | 1   |
| 8 *      | INTERMEDIATE O-RING  | 25152-234   | ----       | 1   | 50 *     | DIFFUSER O-RING       | S1830       | ----       | 1   |
| 9        | LWR MOTOR HOUSING    | 38311-061   | 13040      | 1   | 51       | FLT HD MACH SCREW     | Y#10-03     | 17000      | 3   |
| 10 *     | LOWER BALL BEARING   | 23431-303   | ----       | 1   | 52       | STUD                  | C0612       | 17000      | 3   |
| 11       | STATOR               |             |            |     | 53       | LOCKWASHER            | J06         | 17000      | 3   |
|          | -460                 | 47113-845   | ----       | 1   | 54       | HEX NUT               | D06         | 17000      | 3   |
|          | -575                 | 47113-842   | ----       | 1   | 55       | FLAT WASHER           | KB10        | 17000      | 1   |
| 12       | ROTOR & SHAFT ASSY   | 47112-819   | ----       | 1   | 56 *     | IMPELLER NUT          | D10S        | 17000      | 1   |
| 13       | STUD                 | C0606       | 17000      | 8   | 57 *     | WEAR PLATE            | 11948A      | 15010      | 1   |
| 14       | DEFORM LOCKNUT       | DD06        | 17000      | 8   | 58       | STRAINER ASSY         | 11969       | 2400V      | 1   |
| 15       | LOCKWASHER           | J06         | 17000      | 8   | 59       | HEX HD CAPSCREW       | B0612       | 15991      | 3   |
| 16       | PENN DOER APPL PLATE | 2613FL      | 17020      | 1   | 60       | LOCKWASHER            | J06         | 15991      | 3   |
| 17 *     | MSHA PLATE           | 2613ES      | 17020      | 1   | 61       | RETAINING RING        | S362        | ----       | 1   |
| 18       | DRIVE SCREW          | BM#04-03    | 17000      | 12  | 62 *     | ADJ SHIM SET          | 2X          | 17090      | 1   |
| 19       | NAME PLATE           | 2613DD      | 17020      | 1   | 63 *     | SHAFT SLEEVE          | 13878       | 17020      | 1   |
| 20 *     | UPPER BALL BEARING   | 23257-009   | ----       | 1   | 64 *     | IMPELLER ADJ SHIM SET | 2Y          | 17090      | 1   |
| 21       | SPRING WASHER        | S1554       | ----       | 1   | 65 *     | IMPELLER KEY          | N0303 1/2   | 17000      | 1   |
| 22       | UPPER MOTOR HOUSING  | 38311-057   | 13000      | 1   | 66       | HOIST BAIL            | 11959       | 2400V      | 1   |
| 23 *     | DISCH FLANGE GASKET  | 11957G      | 20000      | 1   | 67       | BAIL BUSHING          | 9562        | 15991      | 2   |
| 24       | DISCHARGE FLANGE     | 11957       | 13040      | 1   | 68       | FLAT WASHER           | KE08        | 15991      | 2   |
| 25       | STUD                 | C0609       | 15991      | 4   | 69       | LOCKWASHER            | J08         | 15991      | 2   |
| 26       | HEX NUT              | D06         | 15991      | 4   | 70       | HEX HD CAPSCREW       | B0804       | 15991      | 2   |
| 27       | HEX HD CAPSCREW      | B0511       | 15991      | 4   | 71       | APPROVAL PLATE        | 38613-030   | 17020      | 1   |
| 28       | LOCKWASHER           | J05         | 15991      | 4   | 72       | DRIVE SCREW           | BM#04-03    | 17000      | 4   |
| 29 *     | 50' CABLE ASSEMBLY   | 47351-011   | ----       | 1   | 73       | SEALING WIRE          | 14964-003   | ----       | 1   |
| 30       | HOSE CLAMP           | 26518-666   | ----       | 1   | 74       | LEAD SEAL             | 21188-002   | ----       | 1   |
| 31       | CABLE GRIP ASSY      | 27111-016   | ----       | 1   |          | NOT SHOWN:            |             |            |     |
| 32       | A HD SETSCREW        | GA0401      | 15991      | 1   |          | QT SUB PUMP OIL       | 9568        | ----       | 1   |
| 33       | A HD SETSCREW        | GA0402      | 15991      | 1   |          | VOLTAGE TAG           |             |            |     |
| 34       | TERMINAL HOUSING     | 38381-225   | 13040      | 1   |          | -460V                 | 6588BL      | ----       | 1   |
| 35       | RTV SILICONE SEALANT | 18771-106   | ----       | 1   |          | -575V                 | 6588BM      | ----       | 1   |
| 36 *     | TERMINAL HSG O-RING  | 25154-149   | ----       | 1   |          | CONTROL BOX           |             |            |     |
| 37       | T TYPE LOCKWASHER    | AK#10       | 15991      | 2   |          | -460V                 | 47631-150   | ----       | 1   |
| 38       | RD HD MACH SCREW     | X#10-01 1/2 | 14990      | 2   |          | -575V                 | 47631-151   | ----       | 1   |
| 39 *     | PUMP CASING O-RING   | S1830       | ----       | 1   |          | OPTIONAL:             |             |            |     |
| 40       | CONNECTOR            | S1718       | ----       | 5   |          | REPAIR BEARING KIT    | 48124-902   | ----       | 1   |
| 41       | PUMP CASING          | 38311-806   | 13175      | 1   |          | STAGING ADAPTOR KIT   | 48272-007   | ----       | 1   |
| 42       | PIPE PLUG            | 38649-022   | 17030      | 2   |          |                       |             |            |     |

\* INDICATES PARTS RECOMMENDED FOR STOCK

**THE GORMAN-RUPP COMPANY • MANSFIELD, OHIO**

GORMAN-RUPP OF CANADA LIMITED • ST. THOMAS, ONTARIO, CANADA Printed in U.S.A.



**For U.S. and International Warranty Information,  
Please Visit [www.grpumps.com/warranty](http://www.grpumps.com/warranty)**

**or call:**

**U.S.: 419-755-1280**

**International: +1-419-755-1352**

**For Canadian Warranty Information,  
Please Visit [www.grcanada.com/warranty](http://www.grcanada.com/warranty)**

**or call:**

**519-631-2870**

**THE GORMAN-RUPP COMPANY • MANSFIELD, OHIO**

**GORMAN-RUPP OF CANADA LIMITED • ST. THOMAS, ONTARIO, CANADA**