

C

Use With: OM-04417
MR-04455

PUBLICATION NUMBER PL-04456-01
Pump Issue 1
April 23, 1996
Supersedes: OM-03473-01



PUMP MODEL
SM6D1-X30 460/575/3

MANUAL
PART 2 of 3

PARTS
LIST
WITH
PERFORMANCE CURVE

THE GORMAN-RUPP COMPANY • MANSFIELD, OHIO
GORMAN-RUPP OF CANADA LIMITED • ST. THOMAS, ONTARIO, CANADA Printed in U.S.A.

©Copyright by the Gorman-Rupp Company

PERFORMANCE CURVE – SECTION A

RECORDING MODEL AND SERIAL NUMBERS

Please record the pump model and serial number in the spaces provided below and in the separate Installation/Operation Manual accompanying your pump. Your Gorman-Rupp distributor needs this information when you require parts or service.

Pump Model: _____

Serial Number: _____

WARRANTY INFORMATION

The pump warranty is provided as part of Gorman-Rupp's support program for customers who operate and maintain their equipment as described in this manual and other accompanying literature. Please note that should the equipment be abused or modified to change its performance beyond the original factory specifications, the warranty will become void and any claim will be denied.

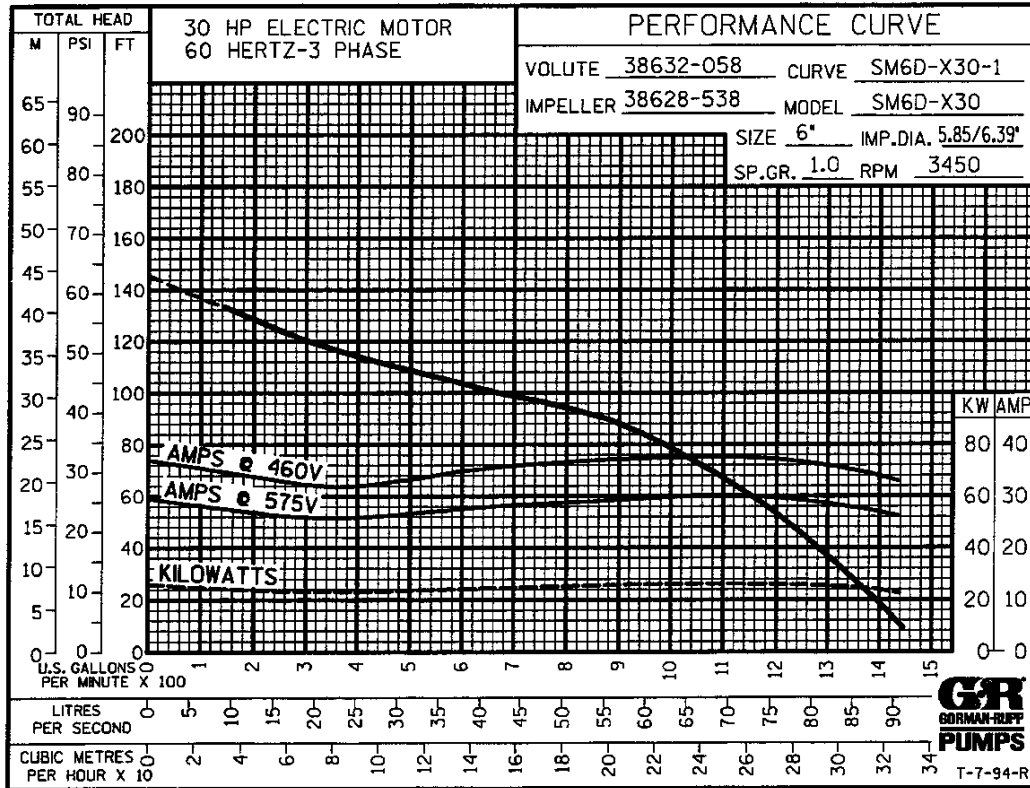
PERFORMANCE CURVES

The performance curve on this page is based on 70° F (21° C) clear water at sea level. Since pump installations are seldom identical, your performance may be different due to such factors as viscosity, specific gravity, elevation, temperature, and impeller trim.

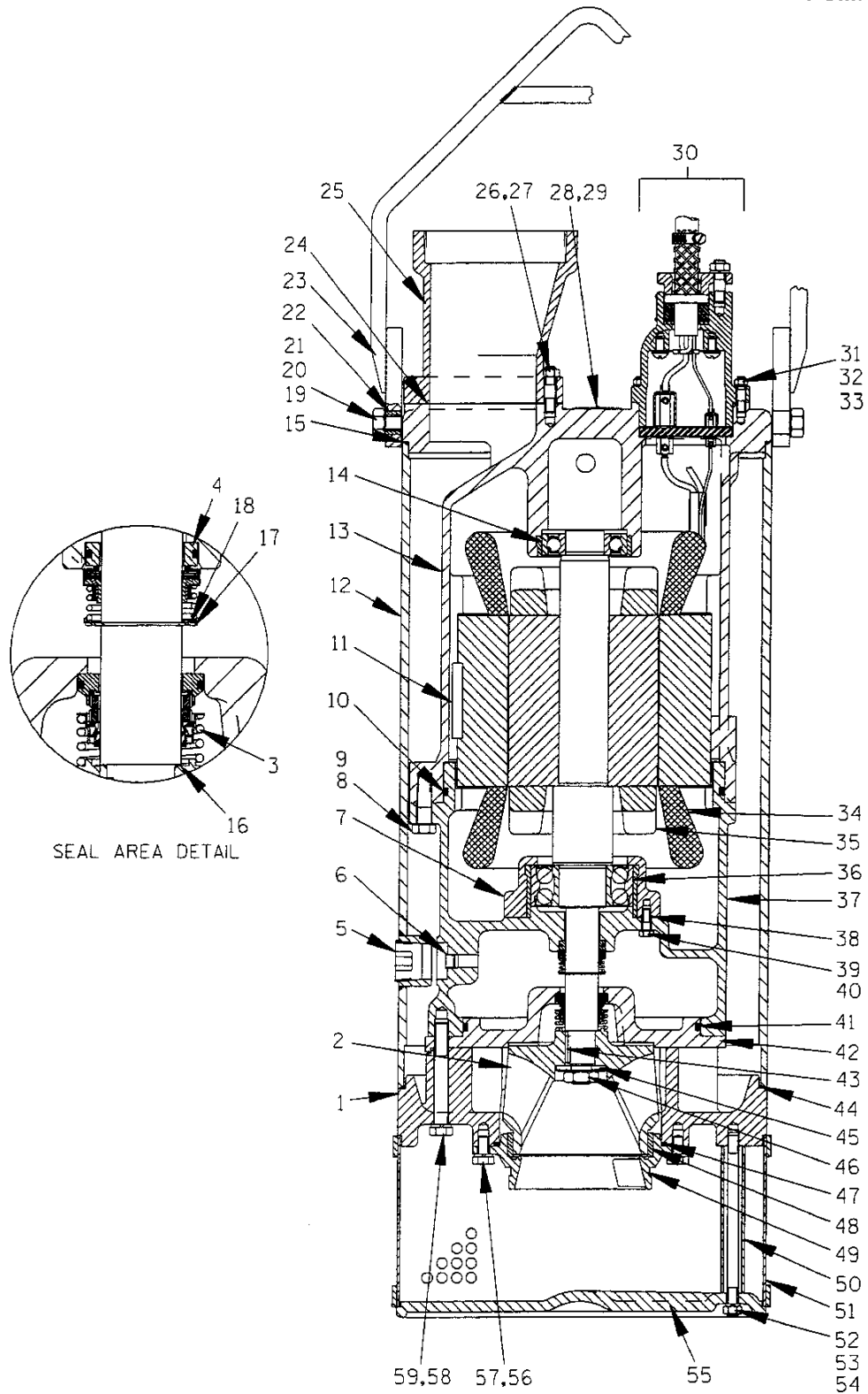
If your pump serial number is followed by an "N", your pump is **NOT** a standard production model. Contact the Gorman-Rupp Company to verify performance or part numbers.



Pump speed and operating condition points must be within the continuous performance range shown on the curve(s).



Performance Curve – Model SM6D1-X30 460/575/3



THE GORMAN-RUPP COMPANY • MANSFIELD, OHIO

GORMAN-RUPP OF CANADA LIMITED • ST. THOMAS, ONTARIO, CANADA

Printed in U.S.A.

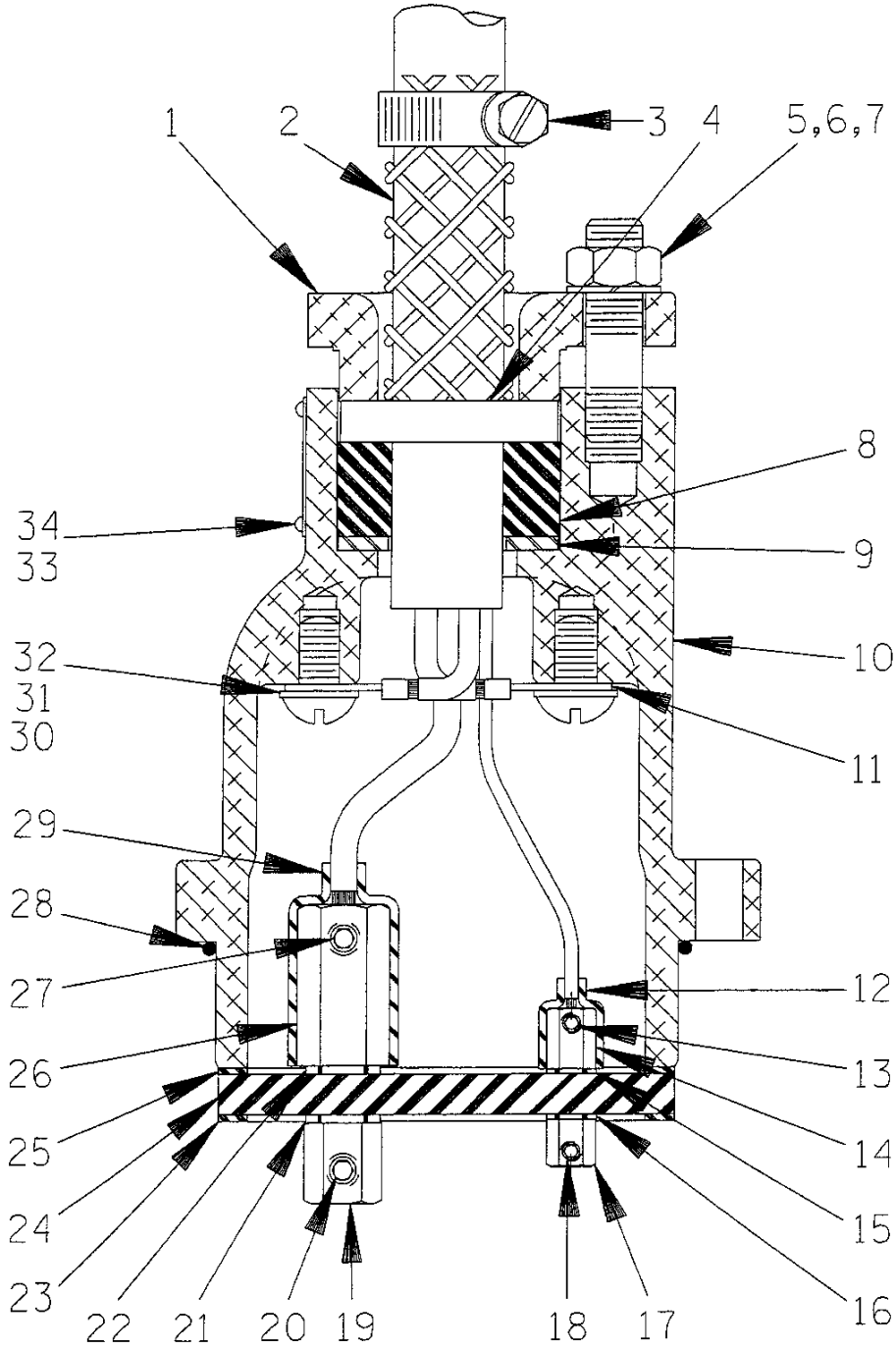
S/N 1049468 Up
PUMP ISSUE 1

If your pump serial number is followed by an "N", your pump is **NOT** a standard production model. Contact the Gorman-Rupp Company to verify part numbers.

ITEM NO.	PART NAME	PART NUMBER	MAT'L CODE	QTY	ITEM NO.	PART NAME	PART NUMBER	MAT'L CODE	QTY
1	DIFFUSER	38632-058	1102H	1	36 *	LWR BALL BEARING	23425-458	---	1
2 *	IMPELLER	38628-538	1102H	1	37	LWR MOTOR HOUSING	38311-311	13000	1
3 *	SEAL ASSEMBLY	46512-076	---	1	38 *	BEARING CAP O-RING	25152-013	---	4
4 *	SEAL ASSEMBLY	25271-886	---	1	39	HEX HD CAPSCREW	21632-595	---	4
5	SOCKET PIPE PLUG	PC24	17000	1	40	LOCKWASHER	J06	15991	4
6	SEAL CAVITY FILL PLUG	PC06	17000	1	41 *	SEAL PLATE O-RING	S1748	---	1
7	BEARING CAP	38322-217	13000	1	42	SEAL PLATE	38272-415	1102H	1
8	HEX HD CAPSCREW	B0808	17000	6	43 *	IMPELLER KEY	N0404	17000	1
9	LOCKWASHER	J08	17000	6	44 *	MTR HOUSING O-RING	25152-281	---	1
10 *	LWR MTR HSG O-RING	S1865	---	1	45 *	IMPELLER WASHER	31131-074	17000	1
11 *	STATOR KEY	N0612	17000	1	46 *	IMPELLER NUT	D10S	17000	1
12	MOTOR HOUSING	38311-808	13000	1	47 *	DIFFUSER O-RING	25152-363	---	1
13	UPPER MOTOR HOUSING	38311-310	13000	1	48 *	WEAR RING	38691-311	14000	1
14 *	UPPER BALL BEARING	23257-013	---	1	49	SUCTION HEAD	38246-034	10000	1
15 *	MTR HOUSING O-RING	25152-281	---	1	50	SUPPORT PIPE	31413-075	15079	6
16 *	IMPELLER ADJ SHIM SET	2X	17090	1	51	STRAINER ASSEMBLY	46611-011	2415V	1
17	RETAINING RING	S700	---	1	52	STUD	C0822	15991	6
18 *	SPRING HOLDER	25273-265	---	1	53	LOCKWASHER	J08	15991	6
19	HEX HD CAPSCREW	B1208	15991	2	54	HEX NUT	D08	15991	6
20	LOCKWASHER	J12	15991	2	55	BASE PLATE	38352-317	13080	1
21	FLAT WASHER	K12	15991	2	56	HEX HD CAPSCREW	B0804	17000	5
22	BAIL BUSHING	10045	15071	2	57	LOCKWASHER	J08	17000	5
23	HOIST BAIL	44713-028	2415V	1	58	HEX HD CAPSCREW	B1018	17000	6
24 *	DISCH FLANGE GASKET	38687-049	20000	1	59	LOCKWASHER	J10	17000	6
25	DISCHARGE FLANGE	38642-207	10010	1					
26	STUD	C0809	15991	6	NOT SHOWN:				
27	HEX NUT	D08	15991	6		QT SUB PUMP OIL	9568	---	1
28	NAME PLATE	2613GH	17020	1		VOLTAGE TAG			
29	DRIVE SCREW	BM#04-03	17000	2		-460V	6588BL	---	1
30	TERM HSG/CABLE ASSY	47367-075	---	1		-575V	6588BM	---	1
31	STUD	C0607	17000	4		CONTROL BOX			
32	LOCKWASHER	J06	17000	4		-460V	47631-154	---	1
33	HEX NUT	D06	17000	4		-575V	47631-155	---	1
34	STATOR					DRIVE SCREW	BM#04-03	17000	4
	-460V	47113-050	---	1		MSHA PLATE	2613ES	17020	1
	-575V	47113-051	---	1		INSTRUCTION TAG	38817-073	---	1
35	ROTOR & SHAFT ASSY	47112-031	---	1		5" HEAT SHRINK TUBE	18763-249	---	1

* INDICATES PARTS RECOMMENDED FOR STOCK

THE GORMAN-RUPP COMPANY • MANSFIELD, OHIO



THE GORMAN-RUPP COMPANY • MANSFIELD, OHIO

GORMAN-RUPP OF CANADA LIMITED • ST. THOMAS, ONTARIO, CANADA Printed in U.S.A.

MAY 30, 1995 Rev. A 04/23/96

©Copyright by the Gorman-Rupp Company

3 of 4

Page 154.6 D1

S/N 1049468 Up
PUMP ISSUE 1

ITEM NO.	PART NAME	PART NUMBER	MAT'L CODE	QTY
1	TERMINAL GLAND	11367	13040	1
2	* CABLE ASSY - 50 FT.	47325-010	---	1
3	HOSECLAMP	26518-666	---	1
4	* CABLE GRIP	11227L	---	1
5	STUD	C0808	17000	2
6	HEX NUT	D08	17000	2
7	LOCKWASHER	J08	17000	2
8	GLAND BUSHING	10758K	19410	1
9	TERMINAL WASHER	10659	15991	1
10	TERMINAL HOUSING	38381-226	13000	1
11	TERMINAL	27214-035	---	1
12	HEAT SHRINK TUBE	31412-056	19530	2
13	ALLEN HEAD SETSCREW	GA#10-01S	15991	2
14	TERMINAL COLLAR	31811-057	14100	2
15	* DYNA SEAL WASHER	S1590	---	2
16	* DYNA SEAL WASHER	S1590	---	2
17	TERMINAL POST	11181	14100	2
18	ALLEN HEAD SETSCREW	GA#10-01S	15991	2
19	TERMINAL POST	38724-009	14100	3
20	ALLEN HEAD SETSCREW	GA0501 1/2	14990	3
21	* DYNA SEAL WASHER	S1586	---	3
22	* DYNA SEAL WASHER	S1586	---	3
23	* TERMINAL PLATE GASKET	38687-529	20000	1
24	* TERMINAL PLATE	38711-001	23010	1
25	* TERMINAL PLATE GASKET	38687-529	20000	1
26	TERMINAL COLLAR	10144	14100	3
27	ALLEN HEAD SETSCREW	GA0501 1/2	14990	3
28	* O-RING	25154-155	---	1
29	HEAT SHRINK TUBE	31413-014	19530	3
30	TERMINAL	S1550	---	1
31	ROUND HEAD MACHINE SCREW	X0603	14990	2
32	T TYPE LOCKWASHER	AK06	15991	2
33	DRIVE SCREW	BM#04-03	17000	4
34	CERTIFICATION PLATE	2613GX	17020	1

NOT SHOWN:

HOT-MELT ADHESIVE (1/2 IN. STICK) 18661-045 --- 2

* INDICATES PARTS RECOMMENDED FOR STOCK

THE GORMAN-RUPP COMPANY • MANSFIELD, OHIO

**For U.S. and International Warranty Information,
Please Visit www.grpumps.com/warranty**

or call:

U.S.: 419-755-1280

International: +1-419-755-1352

**For Canadian Warranty Information,
Please Visit www.grcanada.com/warranty**

or call:

519-631-2870

THE GORMAN-RUPP COMPANY • MANSFIELD, OHIO

GORMAN-RUPP OF CANADA LIMITED • ST. THOMAS, ONTARIO, CANADA