

C

Use With: OM-04417  
MR-04459

PUBLICATION NUMBER PL-04460-01  
April 26, 1996; Rev. A 03/09/98  
Supersedes: OM-04149-01



**PUMP MODEL**  
**SM4K1 - X15 460/575/3**

**MANUAL**  
**PART 2 of 3**

**PARTS**  
**LIST**  
**WITH**  
**PERFORMANCE CURVE**

**THE GORMAN-RUPP COMPANY • MANSFIELD, OHIO**

**GORMAN-RUPP OF CANADA LIMITED • ST. THOMAS, ONTARIO, CANADA** Printed in U.S.A.

©Copyright by the Gorman-Rupp Company

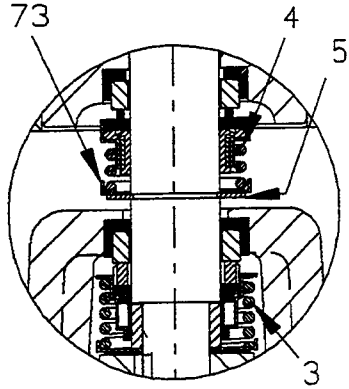




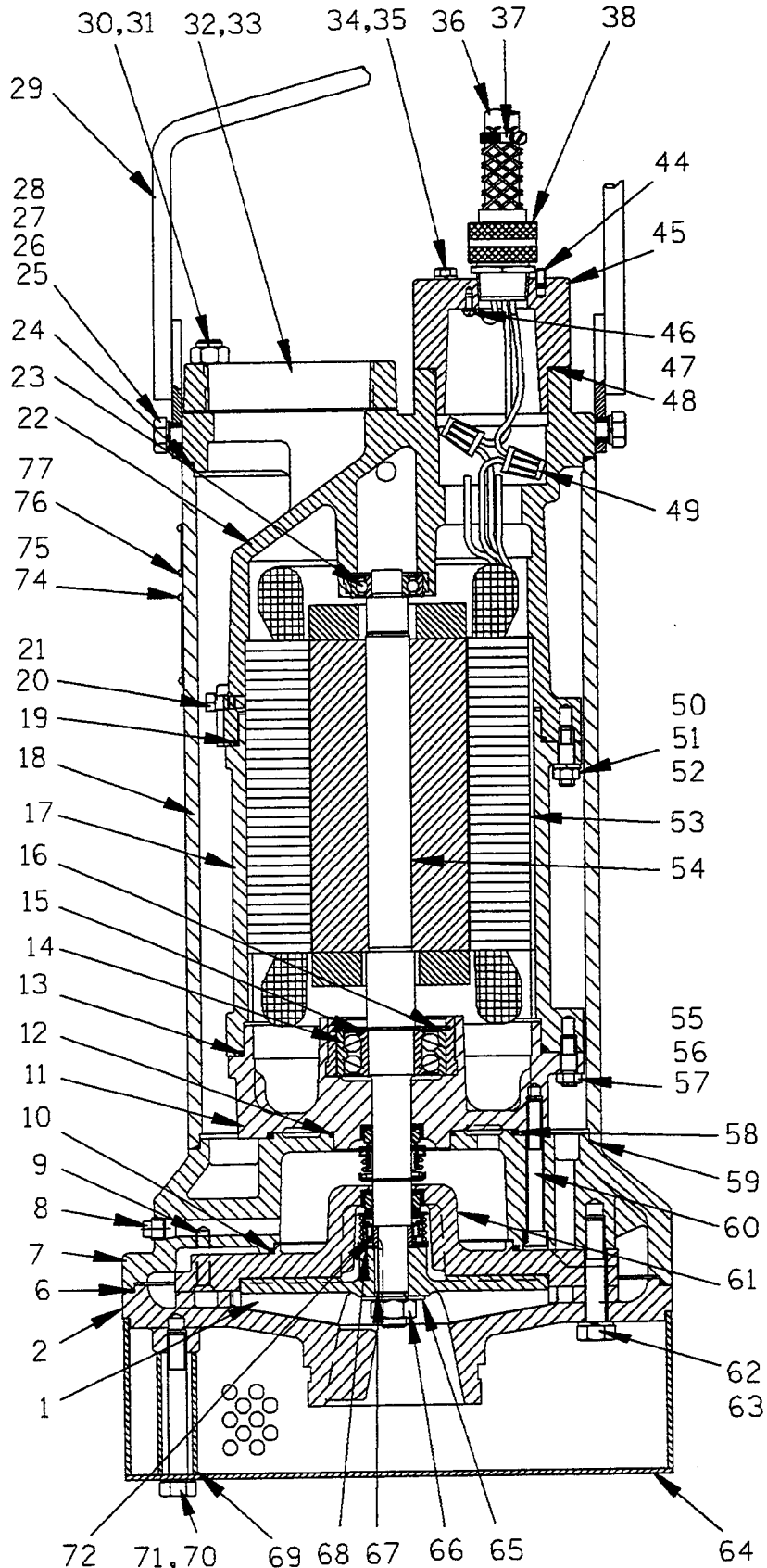
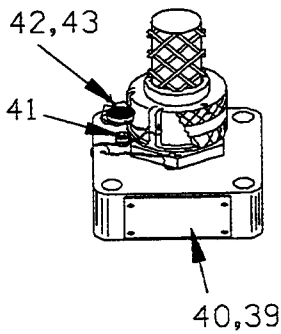
C

SM4K1-X15 460/575/3

S/N 1066160 Up  
PUMP ISSUE 1



SEAL AREA DETAIL



**THE GORMAN-RUPP COMPANY • MANSFIELD, OHIO**

GORMAN-RUPP OF CANADA LIMITED • ST. THOMAS, ONTARIO, CANADA Printed in U.S.A.

©Copyright by the Gorman-Rupp Company

MAY 30, 1995  
Rev. A 03/09/98

1 of 2  
Page 154.4 K1



**For U.S. and International Warranty Information,  
Please Visit [www.grpumps.com/warranty](http://www.grpumps.com/warranty)  
or call:  
U.S.: 419-755-1280  
International: +1-419-755-1352**

**For Canadian Warranty Information,  
Please Visit [www.grcanada.com/warranty](http://www.grcanada.com/warranty)  
or call:  
519-631-2870**