

Use With: OM-04402
MR-04538

PUBLICATION NUMBER PL-04539

Pump Issue 2
May 27, 1997
Rev. B 09-02-97



PRIME-AIRETM SERIES
PUMP MODEL
PA6A60-F4L

MANUAL
PART 2 of 3

PARTS
LIST
WITH
PERFORMANCE CURVE

THE GORMAN-RUPP COMPANY • MANSFIELD, OHIO

GORMAN-RUPP OF CANADA LIMITED • ST. THOMAS, ONTARIO, CANADA Printed in U.S.A.

©Copyright by the Gorman-Rupp Company



The engine exhaust from this product contains chemicals known to the State of California to cause cancer, birth defects or other reproductive harm.

PERFORMANCE CURVE – SECTION A

RECORDING MODEL AND SERIAL NUMBERS

Please record the pump model and serial number in the spaces provided below and in the separate Installation/Operation Manual accompanying your pump. Your Gorman-Rupp distributor needs this information when you require parts or service.

Pump Model: _____

Serial Number: _____

WARRANTY INFORMATION

The pump warranty is provided as part of Gorman-Rupp's support program for customers who operate and maintain their equipment as described in this manual and other accompanying literature. Please note that should the equipment be abused or modified to change its performance beyond the original factory specifications, the warranty will become void and any claim will be denied.

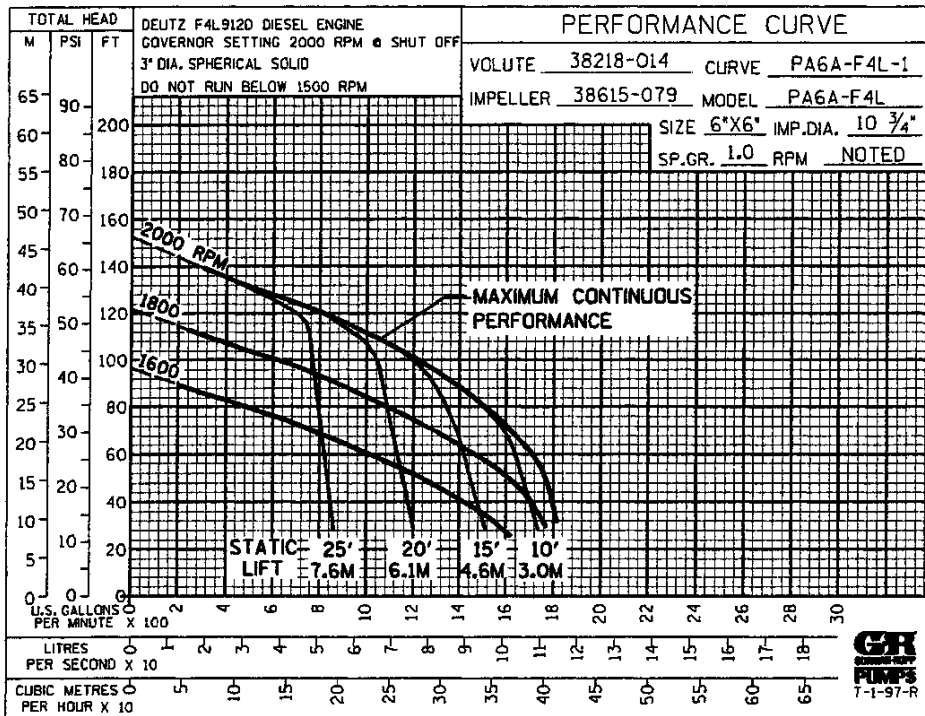
PERFORMANCE CURVE

The performance curve on the following page is based on 70° F (21° C) clear water at sea level, corrected to 0.80 specific gravity, with minimum suction lift. Since pump installations are seldom identical, your performance may be different due to such factors as viscosity, specific gravity, elevation, temperature, and impeller trim.

If your pump serial number is followed by an "N", your pump is **NOT** a standard production model. Contact the Gorman-Rupp Company to verify performance or part numbers.

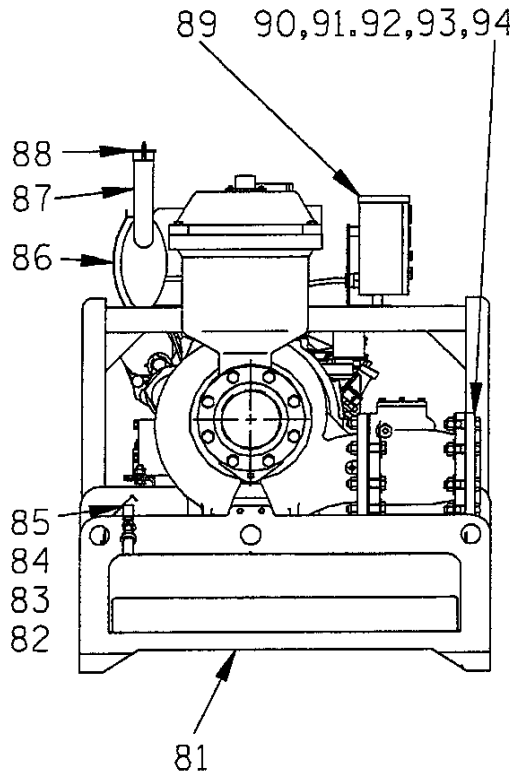
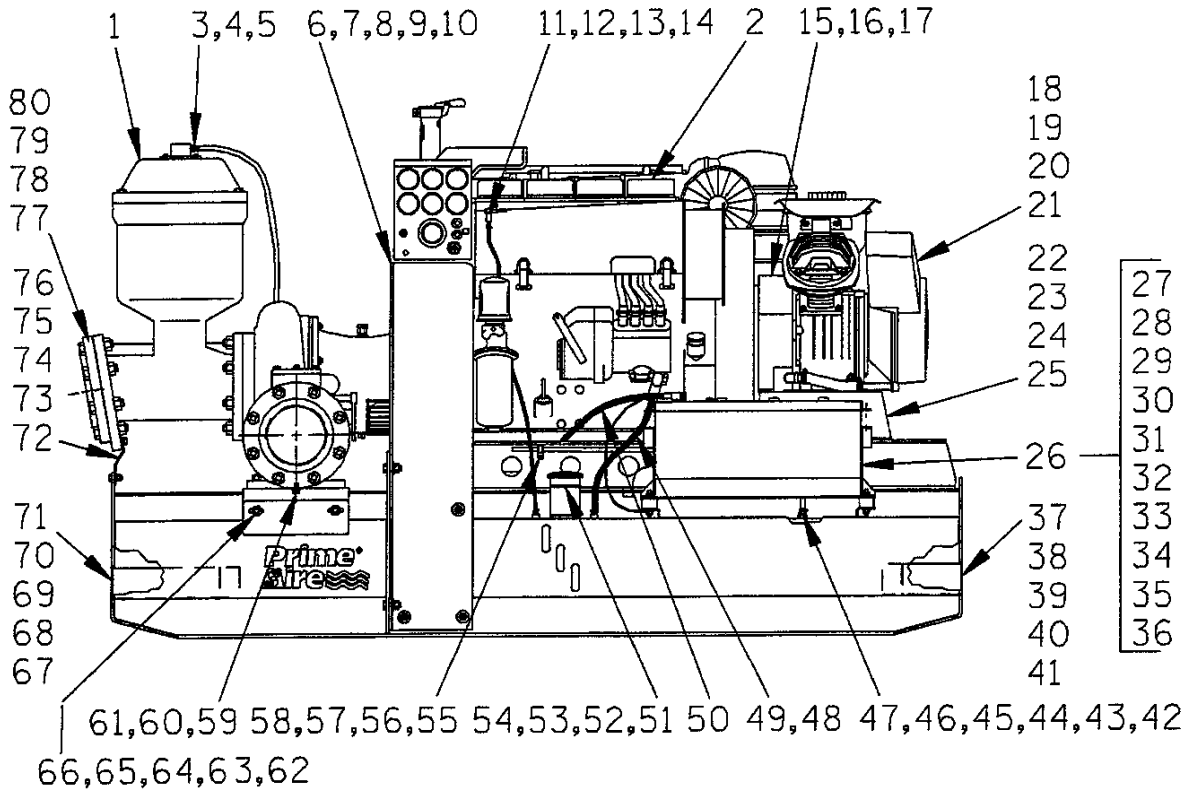


Pump speed and operating condition points must be within the continuous performance range shown on the curve.



Performance Curve – Model PA6A60–F4L

This Page Intentionally Blank



THE GORMAN-RUPP COMPANY • MANSFIELD, OHIO

GORMAN-RUPP OF CANADA LIMITED • ST. THOMAS, ONTARIO, CANADA

Printed in U.S.A.

S/N 1113970 Up
PUMP ISSUE 2

PARTS LIST
Pump Model PA6A60-F4L

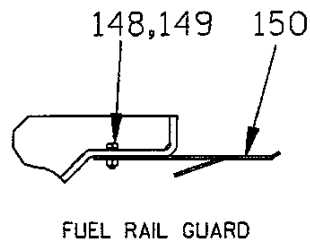
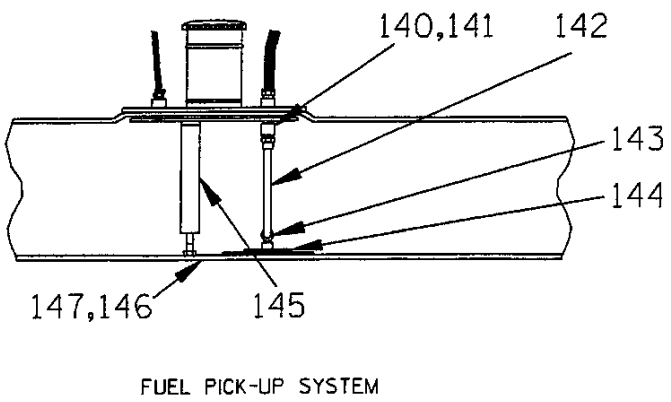
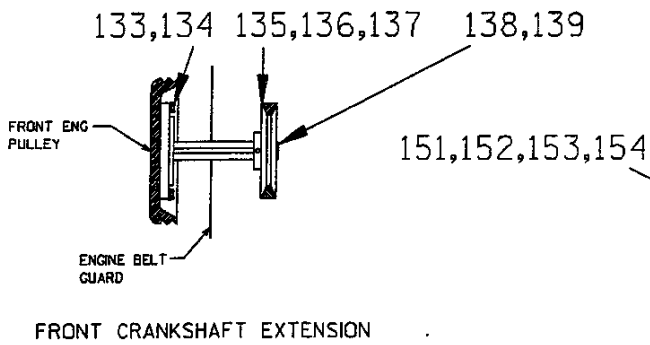
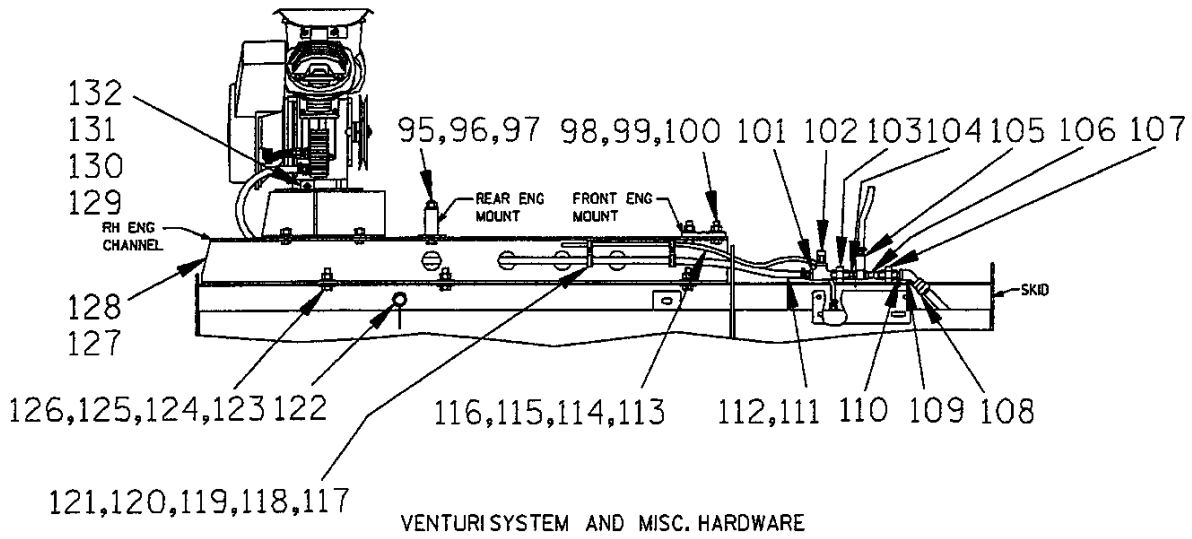
If your pump serial number is followed by an "N", your pump is NOT a standard production model. Contact the Gorman-Rupp Company to verify part numbers.

ITEM NO.	PART NAME	PART NUMBER	MAT'L CODE	QTY	ITEM NO.	PART NAME	PART NUMBER	MAT'L CODE	QTY
1	PUMP ASSEMBLY	PA6A60--(SAE 4/10)		1	48	MALE CONNECTOR	S1447	---	1
2	DEUTZ F4L ENGINE	29217-043	---	1	49	HOSE ASSY	46341-812	---	1
3	REDUCER BUSHING	AP1608	11999	1	50	POS CABLE ASSY	47311-118	---	1
4	MALE CONNECTOR	S1599	---	2	51	FUEL FILLNECK ASSY	46312-015	24150	1
5	1/2" BRAIDED HOSE (3.25')	18513-113	---	1	52	FUEL FILLER GSKT	38687-553	19020	1
6	LIFTING BAIL	44711-019	24150	1	53	NYLON LOCK NUT	BC#10	15991	12
7	HEX HD CAPSCREW	B0805	15991	10	54	SEALING WASHER	25123-056	---	12
8	HEX NUT	D08	15991	8	55	CABLE CLAMP	27111-339	---	1
9	LOCKWASHER	J08	15991	10	56	TAPSCREW	B#10-03	15991	1
10	FLAT WASHER	K08	15991	12	57	HEX NUT	D#10	15991	1
11	HOSE	11308A	---	1	58	LOCKWASHER	J#10	15991	1
12	HOSE CLAMP	26518-641	---	2	59	HEX HD CAPSCREW	B0603	15991	1
13	BARB HOSE FITTING	26523-443	---	1	60	LOCKWASHER	J06	15991	1
14	BARB HOSE FITTING	26523-386	---	1	61	FLAT WASHER	K06	15991	1
15	A/C BELT GUARD ASSY	42353-020	---	1	62	CHECK VALVE BRKT	34256-014	15120	1
16	HEX HD CAPSCREW	B0604	15991	2	63	HEX HD CAPSCREW	B0604	15991	2
17	LOCKWASHER	J06	15991	2	64	HEX NUT	D06	15991	2
18	A/C COMPRESSOR ASSY	46181-902	---	1	65	LOCKWASHER	J06	15991	2
19	HEX HD CAPSCREW	B0604	15991	4	66	FLAT WASHER	K06	15991	4
20	LOCKWASHER	J06	15991	4	67	FUEL TANK RETAINER	41441-408	24150	1
21	FLAT WASHER	K06	15991	4	68	CARRIAGE BOLT	AB0805	15991	2
22	A/C MTG BRKT ASSY	41881-558	---	1	69	HEX NUT	D06	15991	2
23	HEX HD CAPSCREW	B0805	15991	4	70	LOCKWASHER	J08	15991	2
24	HEX NUT	D08	15991	4	71	FLAT WASHER	K08	15991	2
25	LOCKWASHER	J08	15991	4	72	PRIM CHAMBER BRKT	34535-010	15120	1
26	BATTERY BOX ASSY	GRP40-08C	---	1	73	HEX HD CAPSCREW	B0604	15991	3
27	-HEX HD CAPSCREW	B0607	15991	2	74	HEX NUT	D06	15991	2
28	-FLAT WASHER	K06	15991	2	75	LOCKWASHER	J06	15991	3
29	-FLANGED HEX NUT	21765-314	---	2	76	FLAT WASHER	K06	15991	3
30	-GRND CABLE ASSY	47311-064	---	1	77	SUCTION FLANGE	1758	10010	1
31	-BATTERY BOX LID	42113-012	24150	1	78	SUCT FLANGE GSKT	1679G	18000	1
32	-12V BATTERY	SEE OPTIONS LIST			79	HEX HD CAPSCREW	B1212	15991	8
33	-BATTERY TAG	38818-506	---	1	80	HEX NUT	D12	15991	8
34	-BATTERY BOX	42431-030	24150	1	81	SKID ASSY	41565-570	24150	1
35	-STUD MOUNT	24631-006	---	4	82	VENTURI GUARD ASSY	42381-067	---	1
36	-FLANGED HEX NUT	21765-314	---	8	83	HEX HD CAPSCREW	B0504	15991	2
37	A/C FUEL TANK RETAINER	41441-407	24150	1	84	LOCKWASHER	J05	15991	2
38	CARRIAGE BOLT	AB0805	15991	2	85	FLAT WASHER	K05	15991	2
39	HEX NUT	D08	15991	2	86	MUFFLER GRD ASSY	42331-031	---	1
40	LOCKWASHER	J08	15991	2	87	EXHAUST ELBOW	31912-023	15990	1
41	FLAT WASHER	K08	15991	2	88	RAIN CAP	S1331	---	1
42	REDUCER BUSHING	AP0604	15079	1	89	CONTROL PANEL	29277-012	---	1
43	BARB ELBOW	26523-386	---	1	90	DISCHARGE FLANGE	1758	10010	1
44	HOSE CLAMP	26518-641	---	1	91	DISCH FLANGE GSKT	1679G	18000	1
45	1' PLASTIC TUBING	18523-366	---	1	92	HEX HD CAPSCREW	B1213	15991	8
46	PIPE ELBOW	R04	11999	1	93	HEX NUT	D12	15991	8
47	PIPE NIPPLE	T0406	15079	1	94	FLAT WASHER	21161-446	---	8

* INDICATES PARTS RECOMMENDED FOR STOCK
Above Serial Numbers Do Not Apply To Pumps Made In Canada.

CANADIAN SERIAL NO. AND UP

THE GORMAN-RUPP COMPANY • MANSFIELD, OHIO



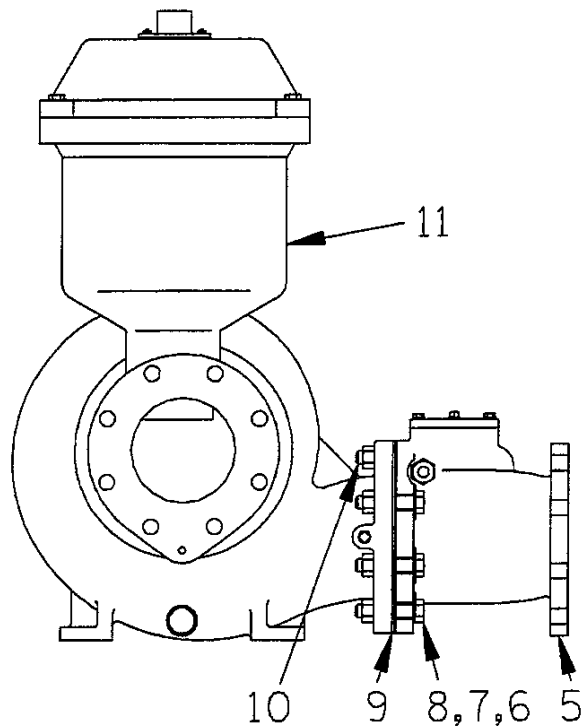
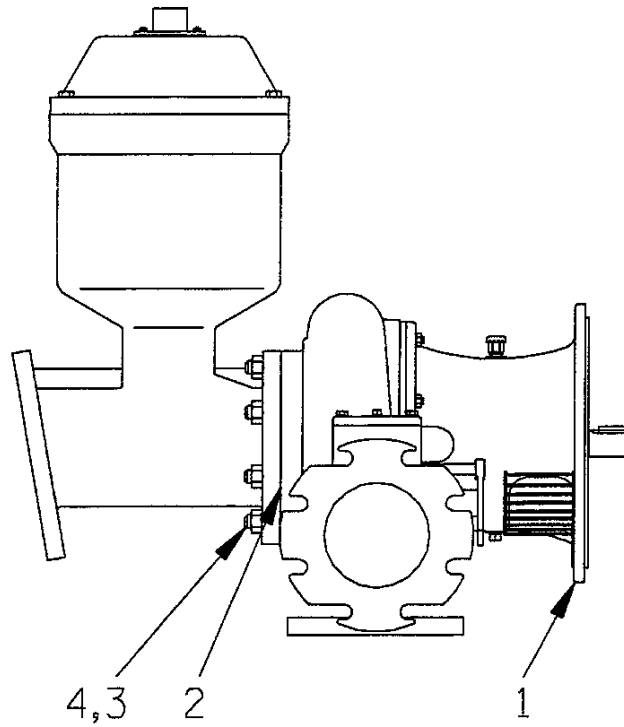
S/N 1113970 Up
PUMP ISSUE 2

PARTS LIST
Pump Model PA6A60-F4L

ITEM NO.	PART NAME	PART NUMBER	MAT'L CODE	QTY	ITEM NO.	PART NAME	PART NUMBER	MAT'L CODE	QTY
95	HEX HD CAPSCREW	B1017	15991	2	135	ENGINE PULLEY	24214-002	----	1
96	HEX NUT	D10	15991	2	136	O.D. BUSHING	24131-549	----	1
97	LOCKWASHER	J10	15991	2	137	V-BELT	24166-011	----	1
98	HEX HD CAPSCREW	B1008	15991	4	138	KEY	N0405	15990	1
99	HEX NUT	D10	15991	4	139	FRT CRANK EXT	44148-008	24150	1
100	LOCKWASHER	J10	15991	4	140	45° ELBOW	26114-802	----	1
101	SERVICE TEE	US08	11999	1	141	90° MALE CONNECTOR	26171-013	----	1
102	RELIEF VALVE	26662-028	----	1	142	NYLON TUBE	18533-119	----	1
103	PIPE UNION	AH08	11999	1	143	90° MALE ELBOW	26171-038	----	1
104	REDUCER BUSHING	AP0806	15079	1	144	FUEL PICK-UP ASSY	41822-009	24150	1
105	PIPE COUPLING	AE08	15079	1	145	FUEL FILLER SUPPORT	41441-406	24150	1
106	VENTURI	26817-002	----	1	146	FUEL TANK ASSY	46711-073	----	1
107	PIPE UNION	AH08	11999	1	147	PIPE PLUG	P06	19220	1
108	RED PIPE BUSHING	AE1208	15079	1	148	HEX HD CAPSCREW	B0604	15991	1
109	45° STREET ELBOW	AGS08	11999	1	149	LOCKWASHER	J06	15991	1
110	PIPE NIPPLE	T08	15079	1	150	FUEL RAIL GUARD	42381-074	24150	1
111	6.5' HOSE	18513-304	----	1	151	HEX HD CAPSCREW	B0808	15991	2
112	HOSE BARB FITTING	26525-008	----	2	152	FLAT WASHER	K08	15991	4
113	REDUCER BUSHING	AP0604	15079	1	153	LOCKWASHER	J08	15991	2
114	MALE CONNECTOR	26523-366	----	1	154	HEX NUT	D08	15991	2
115	HOSE CLAMP	26518-641	----	1					
116	2 1/2' PLASTIC TUBING	18523-366	----	1		NOT SHOWN:			
117	HEX HD CAPSCREW	B#10-03	15991	2		INSTRUCTION DECAL	38818-128	----	1
118	HEX NUT	D#10	15991	2		WARNING DECAL	38816-063	----	2
119	LOCKWASHER	J#10	15991	2		LUBE DECAL	38816-079	----	1
120	CUSHION CABLE CLAMP	27111-346	----	2		WARNING DECAL	38816-096	----	1
121	CUSHION CABLE CLAMP	27111-339	----	2		SUCTION STICKER	6588AG	----	1
122	OIL DRAIN ASSY	46342-007	----	1		DISCHARGE STICKER	6588BJ	----	1
123	HEX HD CAPSCREW	B1007	15991	6		RPM DECAL	38816-240	----	1
124	HEX NUT	D10	15991	6		LIFT DECAL	38816-175	----	1
125	LOCKWASHER	J10	15991	6		LIFT DECAL	38816-218	----	2
126	FLAT WASHER	K10	15991	12		PA DECAL	38812-078	----	2
127	ENG SUPP CH - LH	34451-077	15080	1		INSTRUCTION DECAL	38816-194	----	1
128	ENG SUPP CH - RH	34451-076	15080	1		V-BELT TENSION DECAL	38816-049	----	1
129	MOTOR TENSIONER	41327-031	24150	1		WARNING DECAL	2613FE	----	1
130	HEX NUT	D08	15991	1		ROTATION STICKER	2613M	----	1
131	LOCKWASHER	J08	15991	1		STRAINER	7823A	24000	1
132	FLAT WASHER	K08	15991	1					
133	HEX HD CAPSCREW	22645-132	----	4		OPTIONAL:			
134	LOCKWASHER	21171-510	----	4		12V BATTERY	29331-506	----	1

* INDICATES PARTS RECOMMENDED FOR STOCK

THE GORMAN-RUPP COMPANY • MANSFIELD, OHIO



THE GORMAN-RUPP COMPANY • MANSFIELD, OHIO

GORMAN-RUPP OF CANADA LIMITED • ST. THOMAS, ONTARIO, CANADA

Printed in U.S.A.

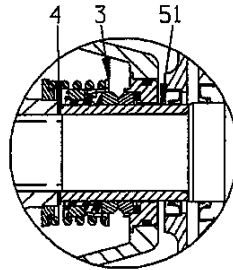
S/N 1113970 Up
PUMP ISSUE 2

PARTS LIST
PA6A60-F4L Pump Assembly

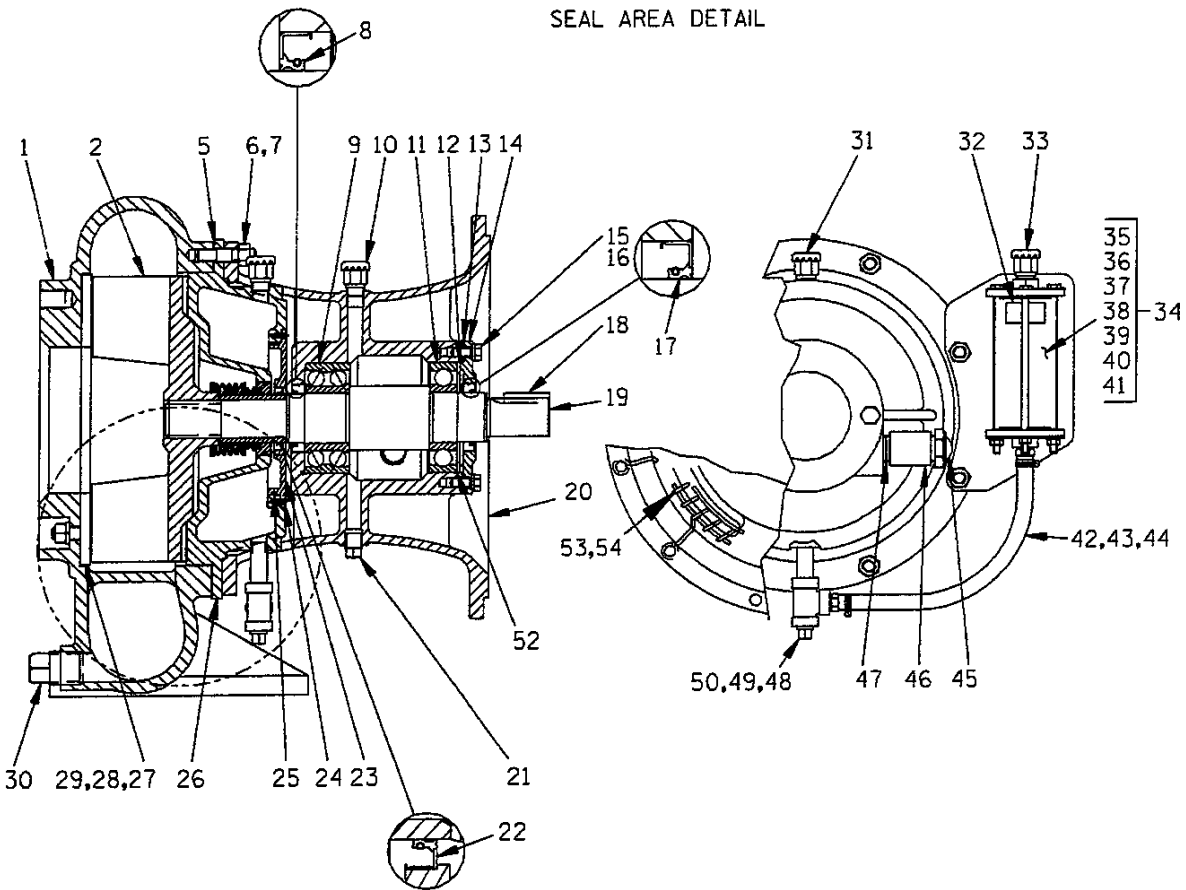
ITEM NO.	PART NAME	PART NUMBER	MAT'L CODE	QTY
1	PUMP END ASSY	66E60-(SAE4/10)	---	1
2	* PUMP CASING GSKT	1679G	18000	1
3	STUD	C1211	15991	8
4	HEX NUT	D12	15991	8
5	CHECK VALVE ASSY	46421-061	---	1
6	HEX HD CAPSCREW	B1214	15991	6
7	FLAT WASHER	21161-446	---	6
8	HEX NUT	D12	15991	6
9	* CHECK VALVE GSKT	25113-036	---	1
10	HEX NUT	D12	15991	2
11	PRIMING CHAMBER ASSY	46112-703	---	1

* INDICATES PARTS RECOMMENDED FOR STOCK

THE GORMAN-RUPP COMPANY • MANSFIELD, OHIO



SEAL AREA DETAIL



THE GORMAN-RUPP COMPANY • MANSFIELD, OHIO

GORMAN-RUPP OF CANADA LIMITED • ST. THOMAS, ONTARIO, CANADA

Printed in U.S.A.

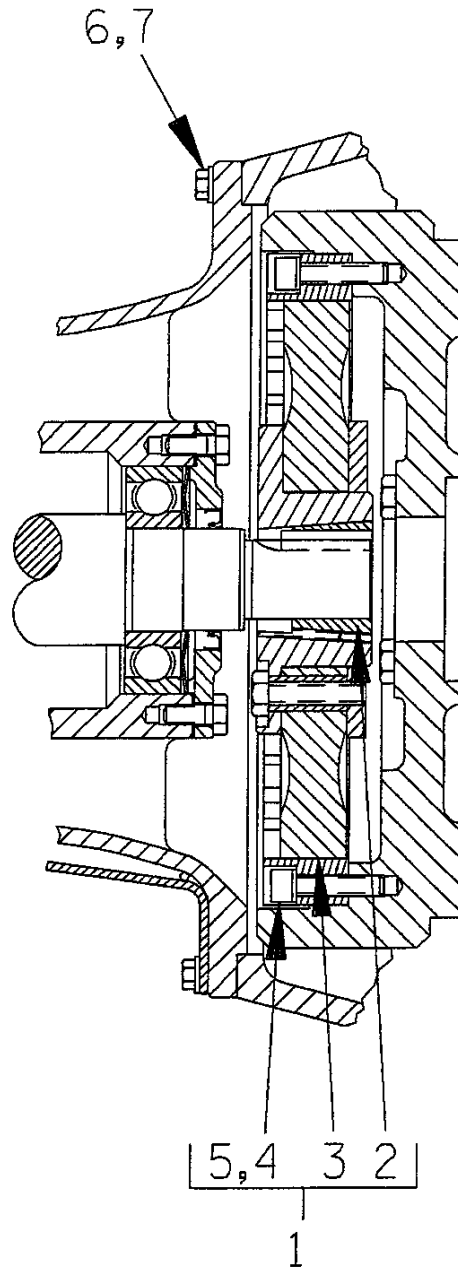
S/N 1113970 Up
PUMP ISSUE 2

PARTS LIST
66E60--(SAE4/10) Pump End Assembly

ITEM NO.	PART NAME	PART NUMBER	MAT'L CODE	QTY	ITEM NO.	PART NAME	PART NUMBER	MAT'L CODE	QTY
1	PUMP CASING	38218-014	10000	1	29	LOCKWASHER	J08	15991	2
2 *	IMPELLER ASSY	46151-409	---	1	30	CASING DRAIN PLUG	P16	10009	1
	-SPRING RETAINER	31167-023	15000	1	31	AIR VENT	S1703	---	1
3 *	SEAL ASSY	46512-048	---	1	32	OIL LEVEL DECAL	38816-123	---	1
4 *	ADJ SHIM SET	5091	17090	1	33	AIR VENT	S1703	---	1
5 *	CASING GASKET SET	34G	18000	1	34	SIGHT GAUGE ASSY	46353-045	---	1
6	STUD	C0809	15991	8	35	-LOWER COVER	26846-501	---	2
7	HEX NUT	D08	15991	8	36	-SUPPORT ASSY	41881-555	24150	1
8 *	OIL SEAL	25258-622	---	1	37	-HEX HD CAPSCREW	B0426	15991	3
9 *	INBOARD BALL BEARING	23421-461	---	1	38	-HEX NUT	D04	15991	3
10	AIR VENT	S1703	---	1	39	-LOCKWASHER	J04	15991	3
11 *	OUTBOARD BALL BRG	S1077	---	1	40 *	-CHAMBER GSKT	38681-204	20000	2
12 *	THRUST WASHER	31133-197	15210	1	41	-SIGHT CHAMBER	26846-502	---	1
13 *	BRG COVER GSKT	5413G	18000	1	42	MALE CONNECTOR	26523-409	---	2
14	BEARING CAP	4185A	10010	1	43	HOSE	18513-054	---	1
15	HEX HD CAPSCREW	B0604	15991	4	44	HOSE CLAMP	26518-642	---	2
16	LOCKWASHER	J06	15991	4	45	OIL LVL SIGHT GAUGE	S1471	---	1
17 *	OIL SEAL	25258-622	---	1	46	PIPE COUPLING	AE12	15079	1
18 *	IMP SHAFT KEY	N0607	15990	1	47	PIPE NIPPLE	T12	15079	1
19 *	IMPELLER SHAFT	38514-807	1706H	1	48	PIPE NIPPLE	T0608	15079	1
20	INTERMEDIATE	38263-614	10010	1	49	PIPE TEE	U06	11999	1
21	BRG CAVITY DRAIN PLUG	P08	15079	1	50	SEAL CVTY DRAIN PLUG	P06	15079	1
22 *	OIL SEAL	25258-620	---	1	51 *	SHAFT SLEEVE	31163-016	1706H	1
23	SEAL PLATE COVER	38242-707	10000	1	52 *	BRG SHIM SET	8546	15990	1
24	FH MACHINE SCREW	Y#10-02	15991	4	53	INTERMEDIATE GUARD	42381-031	24150	1
25 *	SEAL PLT COVER O-RING	25152-256	---	1	54	INTERMEDIATE GUARD	42381-032	24150	1
26	SEAL PLATE	38272-527	10000	1	NOT SHOWN:				
27 *	WEAR PLATE ASSY	46451-746	24150	1		PIPE PLUG	P06	15079	2
28	HEX NUT	D08	15991	2		DRIVE ASSY	44162-119	---	1
						PIPE PLUG	P04	15079	1

* INDICATES PARTS RECOMMENDED FOR STOCK

THE GORMAN-RUPP COMPANY • MANSFIELD, OHIO

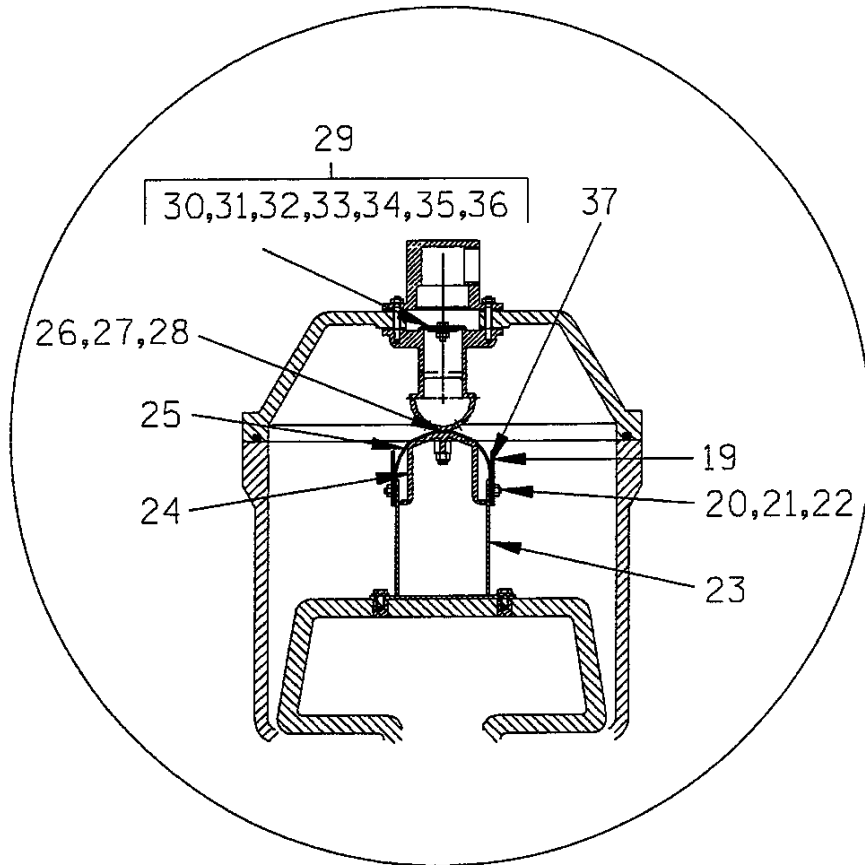


S/N 1113970 Up
PUMP ISSUE 2

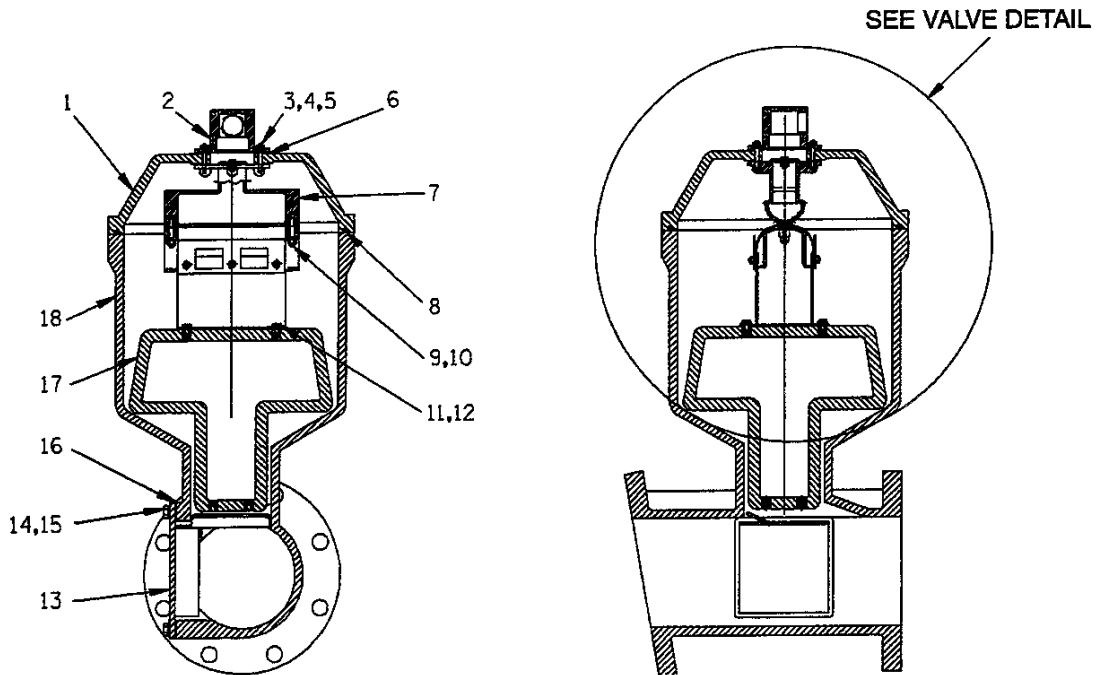
PARTS LIST
(SAE4/10) Drive Assembly

ITEM NO.	PART NAME	PART NUMBER	MAT'L CODE	QTY
1	COUPLING KIT	48112-001	-----	1
2	-BUSHING	24131-345	-----	1
3	-COUPLING ASSEMBLY	44165-011	-----	1
4	-LOCKWASHER	21171-536	-----	8
5	-SOCKET HD CAPSCREW	22644-220	-----	8
6	HEX HD CAPSCREW	22645-164	-----	12
7	LOCKWASHER	21171-511	-----	12

THE GORMAN-RUPP COMPANY • MANSFIELD, OHIO



VALVE DETAIL



THE GORMAN-RUPP COMPANY • MANSFIELD, OHIO

GORMAN-RUPP OF CANADA LIMITED • ST. THOMAS, ONTARIO, CANADA

Printed in U.S.A.

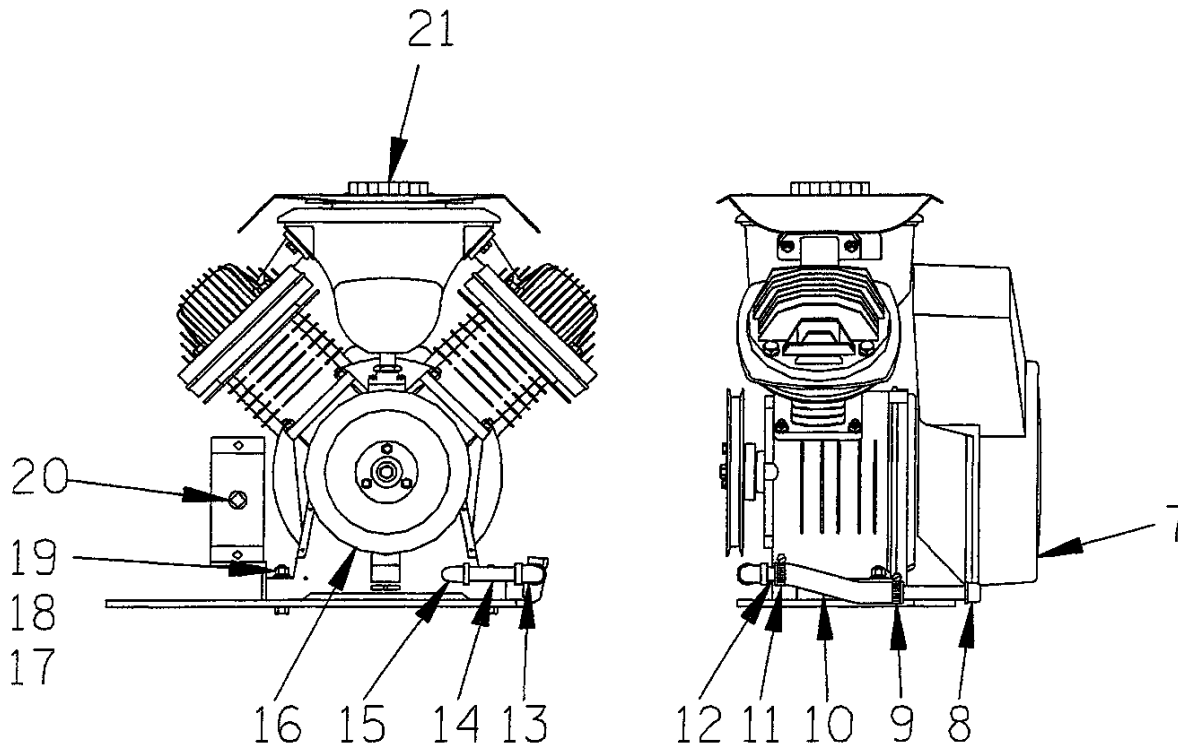
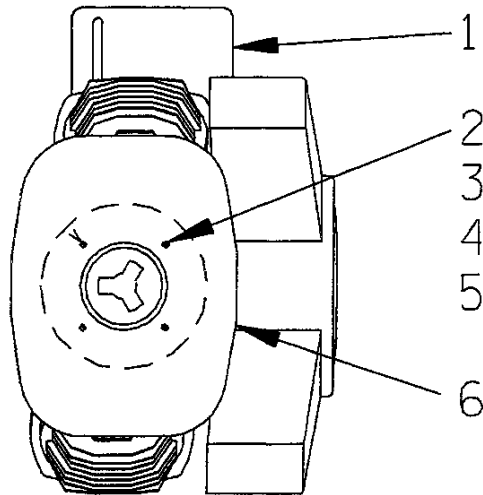
S/N 1113970 Up
PUMP ISSUE 2

PARTS LIST
46112-703 Peeler Type Priming Valve

ITEM NO.	PART NAME	PART NUMBER	MAT'L CODE	QTY	ITEM NO.	PART NAME	PART NUMBER	MAT'L CODE	QTY
1	PRIMING CHAMBER LID	38346-613	13000	1	21	LOCKWASHER	J#10	17000	6
2	PEELER VALVE NECK	38349-410	10000	1	22	HEX NUT	D#10	17000	6
3	LOCKWASHER	J#10	17000	4	23	VLV STRAP BRKT ASSY	41881-523	2415X	1
4	HEX NUT	D#10	17000	4	24	CLAMP PLATE	38349-406	14000	1
5	STUD	21332-038	----	4	25	VALVE STRAP	33276-041	19000	1
6 *	NECK GASKET	38683-266	19020	1	26	ADJ SHIM (IF REQ'D)	1868A	17000	2
7	VALVE BODY	38343-014	14000	1	27	ADJ SHIM (IF REQ'D)	1868B	17000	2
8 *	GASKET STRIP 4.06' LG	18515-031	----	1	28	ADJ SHIM (IF REQ'D)	1868C	17000	2
9	STUD	C0406 1/2	17000	2	29	CHECK VALVE ASSY	46411-112	----	1
10	HEX LOCK NUT	BC04	17000	2	30 *	-CHECK VALVE	38671-413	19020	1
11	HEX HD CAPSCREW	B0403	17000	4	31	-LOCKWASHER	J#10	17000	1
12	LOCKWASHER	J04	17000	4	32	-HEX NUT	D#10	17000	1
13	INDUCTOR GUARD ASSY	42381-066	24150	1	33	-SMALL VALVE WEIGHT	21161-810	----	1
14	HEX HD CAPSCREW	B0603	15991	4	34	-HEX HD CAPSCREW	B#10-02	17000	1
15	LOCKWASHER	J06	15991	4	35	-LARGE VALVE WEIGHT	21161-811	----	1
16 *	CHAMBER GSKT	38687-552	18000	1	36	-SEALING WASHER	S1590	----	1
17 *	PRIMING VALVE FLOAT	38349-404	19220	1	37	VLV STRAP PROTECTOR	33271-019	19000	2
18	PRIMING CHAMBER	38343-017	10000	1	NOT SHOWN:				
19	GUIDE PLATE	33522-009	17000	2		HEX HD CAPSCREW	B0807	15991	4
20	FLAT HD CAPSCREW	F#10-03	17000	6		PIPE PLUG	P04	15079	1

* INDICATES PARTS RECOMMENDED FOR STOCK

THE GORMAN-RUPP COMPANY • MANSFIELD, OHIO



THE GORMAN-RUPP COMPANY • MANSFIELD, OHIO

GORMAN-RUPP OF CANADA LIMITED • ST. THOMAS, ONTARIO, CANADA

Printed in U.S.A.

S/N 1113970 Up
PUMP ISSUE 2

PARTS LIST
46181-902 Air Compressor Assembly

ITEM NO.	PART NAME	PART NUMBER	MAT'L CODE	QTY
1	AIR COMPRESSOR MOUNTING PLATE	41881-554	24150	1
2	MACHINE SCREW	X#10-02	15991	4
3	HEX NUT	D#10	15991	4
4	LOCKWASHER	J#10	15991	4
5	FLAT WASHER	K#10	15991	4
6	AIR COMPRESSOR COVER	38354-043	15120	1
7	ATLAS COPCO AIR COMPRESSOR	26813-111	----	1
8	PIPE CAP	V06	15079	1
9	HOSE CLAMP	26518-683	----	1
10	HOSE CLAMP	18513-304	----	1
11	HOSE CLAMP	26518-683	----	1
12	PIPE NIPPLE	2434	15070	1
13	PIPE ELBOW	R06	11999	1
14	PIPE NIPPLE	T0611	15079	1
15	STREET ELBOW	RS06	11999	1
16	AIR COMPRESSOR PULLEY	44112-001	----	1
	-PULLEY	24226-003	----	1
	-BUSHING	24131-611	----	1
	-SHAFT EXTENSION	31412-070	15000	1
	-HEX HD CAPSCREW	22645-164	----	1
	-KEY	24113-601	----	1
17	HEX NUT	D06	15991	4
18	LOCKWASHER	J06	15991	4
19	FLAT WASHER	K06	15991	4
20	PIPE PLUG	P08	15079	1
21	AIR COMPRESSOR KNOB	38429-501	19220	1

THE GORMAN-RUPP COMPANY • MANSFIELD, OHIO

14 of 16

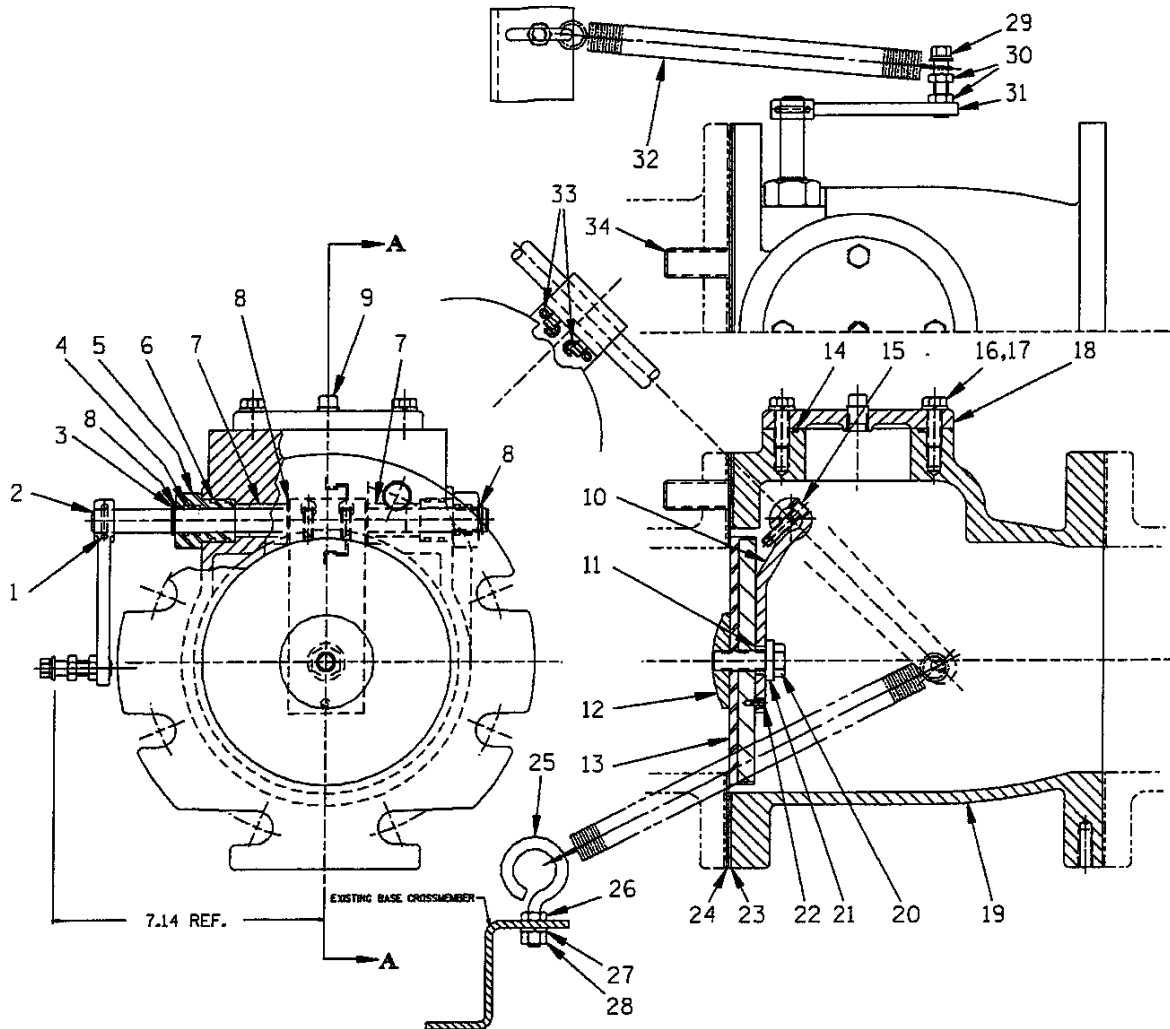
GORMAN-RUPP OF CANADA LIMITED • ST. THOMAS, ONTARIO, CANADA Printed in U.S.A.

Page 64.6 A3

Rev. B 09/02/97

©Copyright by the Gorman-Rupp Company

05/27/97



THE GORMAN-RUPP COMPANY • MANSFIELD, OHIO

GORMAN-RUPP OF CANADA LIMITED • ST. THOMAS, ONTARIO, CANADA

Printed in U.S.A.

S/N 1113970 Up
PUMP ISSUE 2

PARTS LIST
46421-061 Check Valve Assembly

ITEM NO.	PART NAME	PART NUMBER	MAT'L CODE	QTY
1	* GROOVE PIN	21142-557	---	1
2	SHAFT	31671-004	1706H	1
3	SNAP RING	S668	---	2
4	* SHAFT O-RING	25152-114	---	4
5	SHAFT NUT	31871-064	14100	2
6	* SHAFT NUT O-RING	25152-119	---	4
7	* BUSHING	23181-153	---	2
8	SHIM	513A	17090	4
9	PIPE PLUG	P04	15079	1
10	VALVE ARM	38122-003	17070	1
11	SPACER	31133-218	17080	1
12	VALVE WEIGHT	11588	10010	1
13	* MOLDED CHECK VALVE - NEOPRENE	46411-098	24010	1
14	* COVER O-RING	25152-152	---	1
15	SOCKET HD CAPSCREW	31871-067	17000	2
16	HEX HD CAPSCREW	B0604	15991	4
17	LOCKWASHER	J06	15991	4
18	VALVE INSPECTION COVER	38346-614	10010	1
19	VALVE BODY	38341-501	10010	1
20	NYLOCK CAPSCREW	BT0806-1/2	15991	1
21	FLAT WASHER	21161-501	---	1
22	* GROOVE PIN	21142-150	---	1
23	* CHECK VALVE GASKET	25113-097	---	1
24	* SEAT	31265-042	17050	1
25	EYE BOLT	21753-207	---	1
26	JAM NUT	AT06	15991	1
27	LOCK WASHER	J06	15991	2
28	HEX NUT	D06	15991	REF
29	CAPSCREW W/SHOULDER	31871-065	15991	1
30	JAM NUT	AT06	15991	2
31	HANDLE	38582-021	11060	1
32	* SPRING	24641-014	---	1
33	COTTER PIN	21126-712	---	2
34	STUD	C1212	15991	2

OPTIONAL:

MOLDED CHECK VALVE - BUNA-N	46411-116	24010	1
-----------------------------	-----------	-------	---

* INDICATES PARTS RECOMMENDED FOR STOCK

THE GORMAN-RUPP COMPANY • MANSFIELD, OHIO

**For U.S. and International Warranty Information,
Please Visit www.grpumps.com/warranty**

or call:

U.S.: 419-755-1280

International: +1-419-755-1352

**For Canadian Warranty Information,
Please Visit www.grcanada.com/warranty**

or call:

519-631-2870

THE GORMAN-RUPP COMPANY • MANSFIELD, OHIO

GORMAN-RUPP OF CANADA LIMITED • ST. THOMAS, ONTARIO, CANADA