

AC

Use With: OM-04151
MR-04152

PUBLICATION NUMBER PL-04691-01
Pump Issue 1
May 1, 1997



PUMP MODEL
S4H65 - E10 575/3

MANUAL
PART 2 of 3

PARTS
LIST
WITH
PERFORMANCE CURVE

THE GORMAN-RUPP COMPANY • MANSFIELD, OHIO

GORMAN-RUPP OF CANADA LIMITED • ST. THOMAS, ONTARIO, CANADA Printed in U.S.A.

©Copyright by the Gorman-Rupp Company

PERFORMANCE CURVE – SECTION A

RECORDING MODEL AND SERIAL NUMBERS

Please record the pump model and serial number in the spaces provided below and in the separate Installation/Operation Manual accompanying your pump. Your Gorman-Rupp distributor needs this information when you require parts or service.

Pump Model: _____

Serial Number: _____

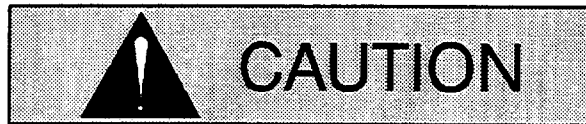
WARRANTY INFORMATION

The pump warranty is provided as part of Gorman-Rupp's support program for customers who operate and maintain their equipment as described in this manual and other accompanying literature. Please note that should the equipment be abused or modified to change its performance beyond the original factory specifications, the warranty will become void and any claim will be denied.

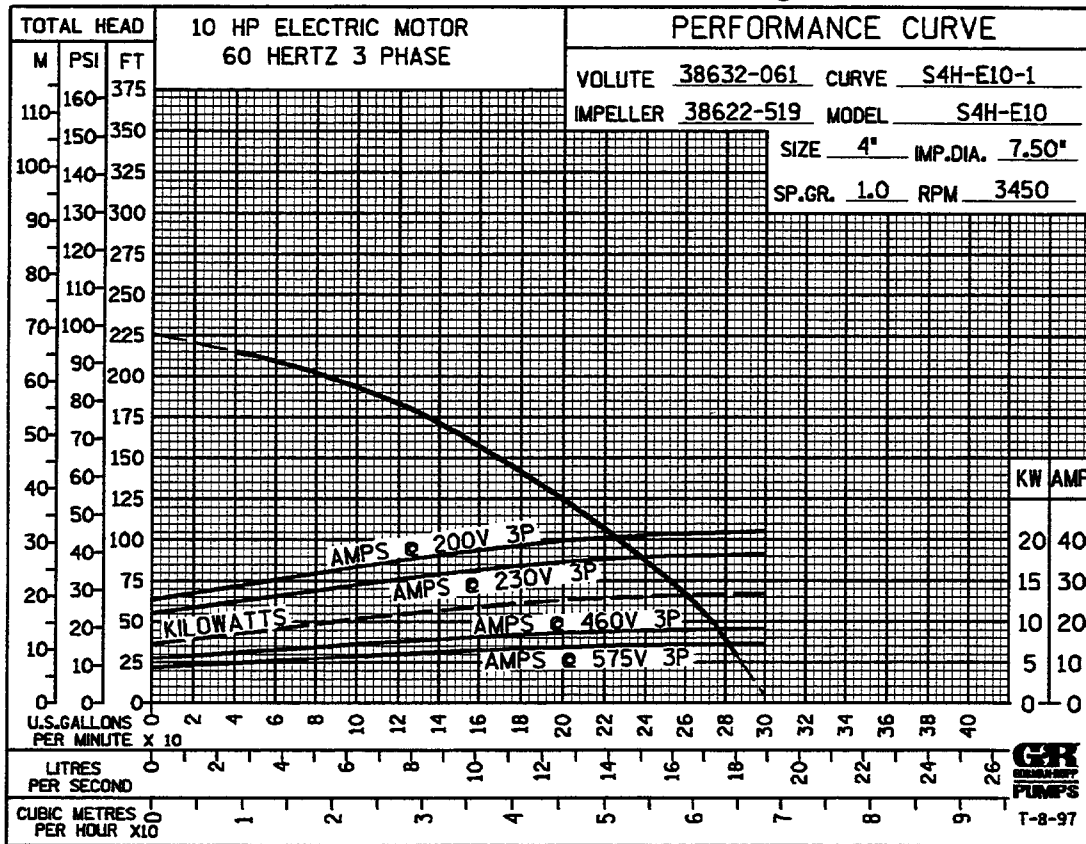
PERFORMANCE CURVES

The performance curve on the following page is based on 70° F (21° C) clear water at sea level. Since pump installations are seldom identical, your performance may be different due to such factors as viscosity, specific gravity, elevation, temperature, and impeller trim.

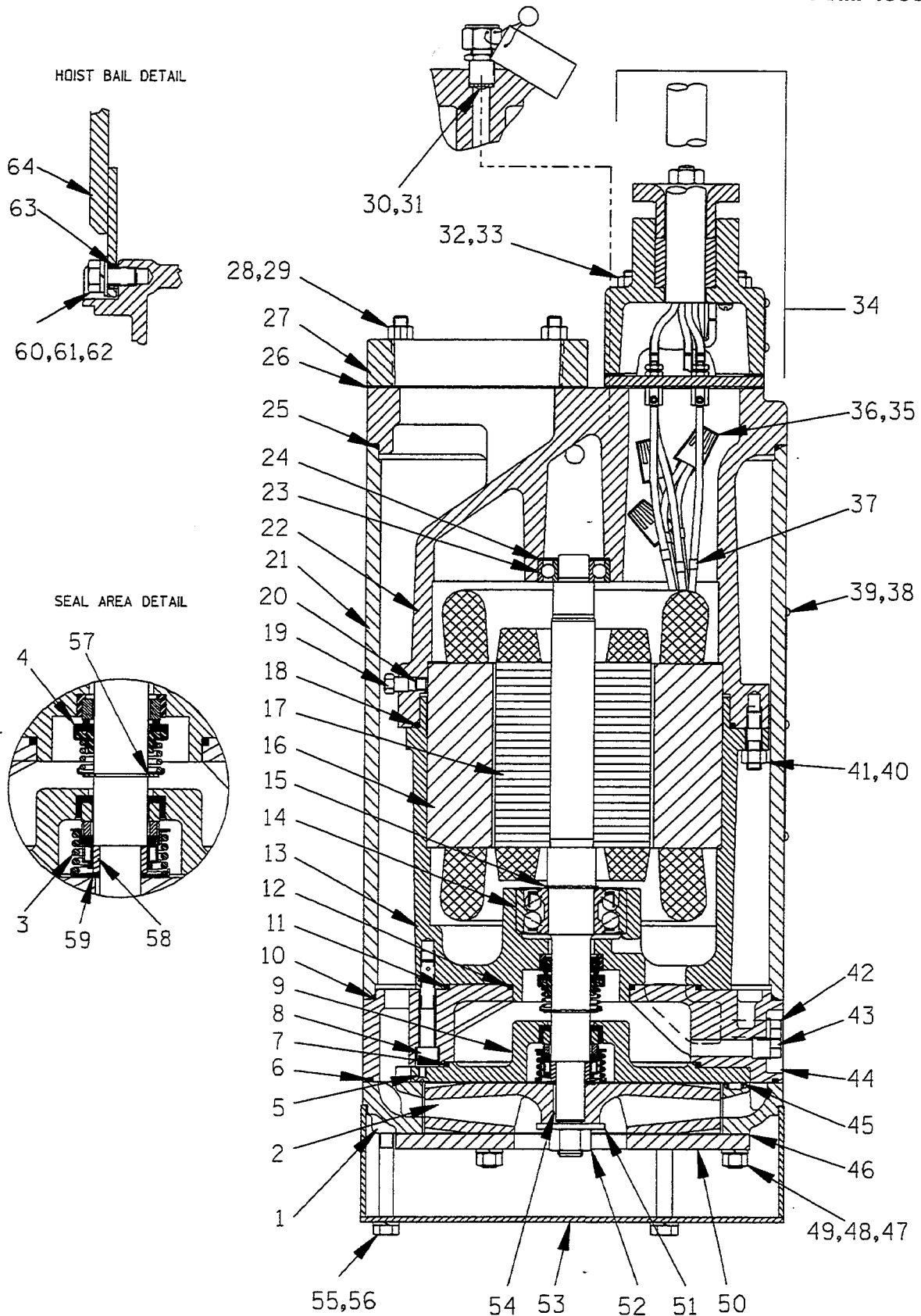
If your pump serial number is followed by an "N", your pump is **NOT** a standard production model. Contact the Gorman-Rupp Company to verify performance or part numbers.



Pump speed and operating condition points must be within the continuous performance range shown on the curve(s).



Performance Curve – Model S4H65-E10 575/3



THE GORMAN-RUPP COMPANY • MANSFIELD, OHIO

GORMAN-RUPP OF CANADA LIMITED • ST. THOMAS, ONTARIO, CANADA

Printed in U.S.A.

S/N 1129913 Up
PUMP ISSUE 1

If your pump serial number is followed by an "N", your pump is **NOT** a standard production model. Contact the Gorman-Rupp Company to verify part numbers.

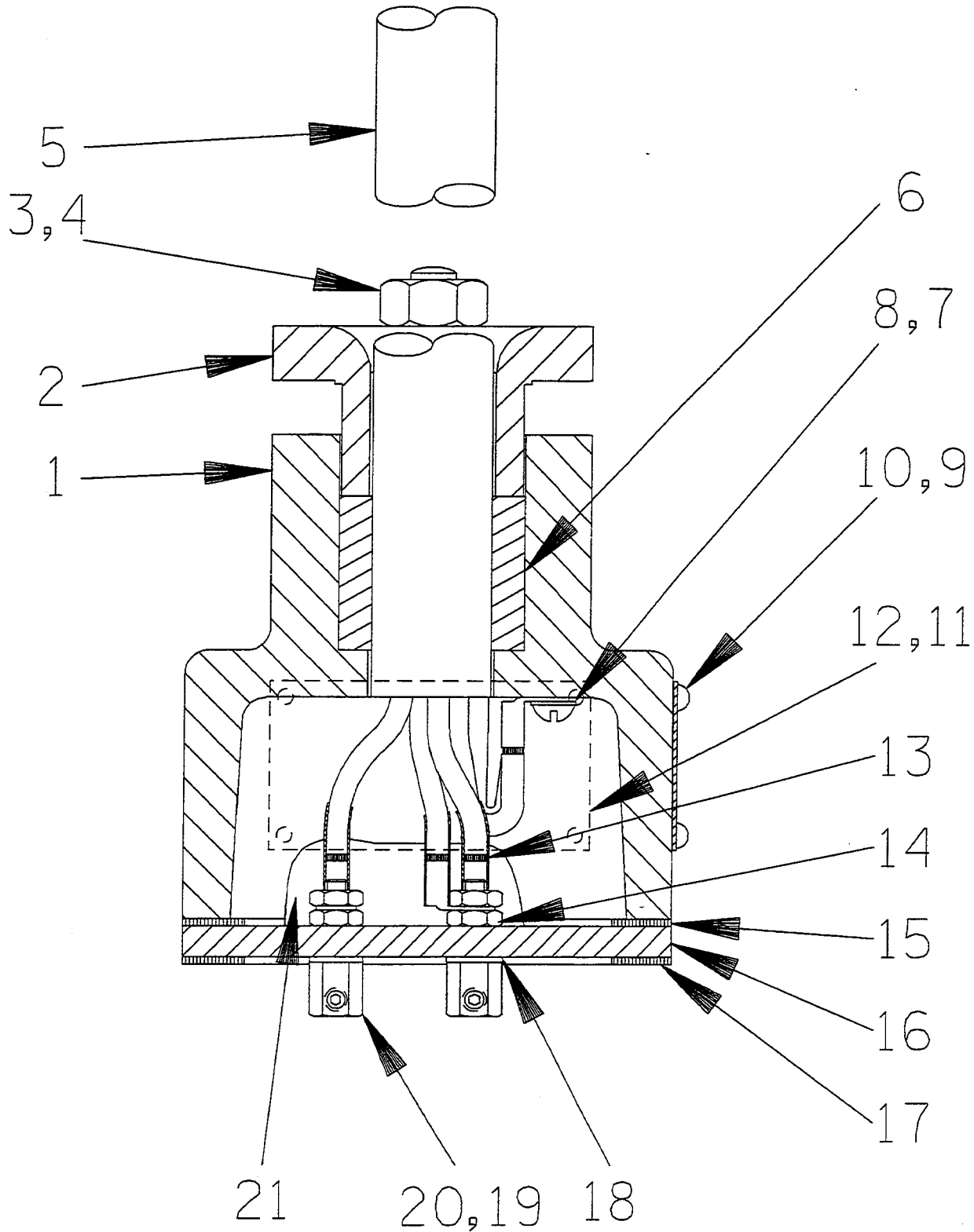
ITEM NO.	PART NAME	PART NUMBER	MAT'L CODE	QTY	ITEM NO.	PART NAME	PART NUMBER	MAT'L CODE	QTY
1	DIFFUSER	38632-061	1718H	1	43	PIPE PLUG	P04	17090	1
2 *	IMPELLER	38622-519	1718H	1	44	INTERMEDIATE	38261-025	17070	1
3 *	SEAL ASSY	46512-070	----	1	45 *	O-RING	25154-012	----	3
4	SEAL	S1832	----	1	46 *	GASKET	38683-655	19370	3
5	HD MACH SCREW	Y#10-03	17090	3	47	STUD	C0616	17090	3
6 *	O-RING	25154-274	----	1	48	LOCK WASHER	J06	17090	3
7 *	O-RING	25154-259	----	1	49	HEX NUT	D06	17090	3
8	HD CAPSCREW	DM0609	17090	3	50 *	WEAR PLATE	11948A	1718H	1
9	SEAL PLATE	13882	1718H	1	51	FLAT WASHER	KB10	17090	1
10 *	O-RING	25154-274	----	1	52	HEX NUT	D10S	17090	1
11 *	O-RING	25154-259	----	1	53	STRAINER	11969	17050	1
12 *	O-RING	25154-234	----	1	54	KEY	N0303 1/2	17090	1
13	LWR MTR HSG	38311-060	17070	1	55	LOCK WASHER	J06	17090	3
14 *	BALL BEARING	23431-303	----	1	56	HEX HD CAPSCREW	B0612	17090	3
15	SNAP RING	S1831	----	1	57	RETAINING RING	24124-332	----	1
16	STATOR	47113-846	----	1	58	SLEEVE	13878	17090	1
17	ROTOR & SHAFT ASSY	47112-817	----	1	59	ADJ SHIM SET	2Y	17090	1
18 *	O-RING	25154-265	----	1	60	FLAT WASHER	KE08	17090	2
19	PIPE PLUG	38649-022	17090	2	61	LOCK WASHER	J08	17090	2
20	SOC HD SETSCREW	GA0501 1/4	17090	2	62	HEX HD CAPSCREW	B0804	17090	2
21	PUMP CASING	38311-806	17040	1	63	BUSHING	9562	17120	2
22	UPR MTR HSG	38311-032	17070	1	64	HOIST BAIL	11959	24170	1
23 *	BALL BEARING	S1044	----	1	NOT SHOWN:				
24	SPRING WASHER	S1554	----	1	MOTOR VOLT TAG	6588AA	----	1	
25 *	O-RING	25154-274	----	1	SUB PUMP OIL	9568	----	1	
26 *	GASKET	11957G	19370	1	CONTROL BOX	27515-513	----	1	
27	DISCH FLANGE	11957	17070	1	CABLE TIE	27111-212	----	1	
28	STUD	C0609	17090	4	HEATER PACK	27521-204	----	1	
29	HEX NUT	D06	17090	4	INSTRUCTION TAG	6588AC	----	1	
30	RELIEF VLV ASSY	46431-646	----	1	MOTOR PLATE	10436	17050	1	
31	RED PIPE BUSHING	AP0604	17090	1	DRIVE SCREW	BM#04-03	17090	4	
32	STUD	C0513	17090	4	OPTIONAL:				
33	HEX NUT	D05	17090	4	STAGING ADAPTOR KIT	48272-014	----	1	
34	TERM HSG & CAB ASSY	47367-056	----	1	HEAT SHRINK TERM KIT	48315-003	----	1	
35	CONNECTOR	S1718	----	3	ANODE PLATE ASSY	42116-003	----	1	
36	HEAT-SHRINK TUBE	31411-235	19450	3	REPAIR GASKET SET	11000AL	----	1	
37	WIRE MARKER SET	S2274	----	1	LIQUID LEVEL DEVICES:				
38	NAME PLATE	38818-039	17090	1	-DIAPHRAGM TYPE	GRP48-03 or GRP48-06	----	1	
39	DRIVE SCREW	BM#04-03	17090	6	-FLOAT SWITCH	27471-180	----	1	
40	STUD	C0606	17090	8	-120V LIQ LVL CTRL SW	27521-321	----	1	
41	HEX NUT	DD06	17090	8					
42	PIPE PLUG	P04	17090	1					

* INDICATES PARTS RECOMMENDED FOR STOCK

Above Serial Numbers Do Not Apply To Pumps Made In Canada.

CANADIAN SERIAL NO. AND UP

THE GORMAN-RUPP COMPANY • MANSFIELD, OHIO



THE GORMAN-RUPP COMPANY • MANSFIELD, OHIO

GORMAN-RUPP OF CANADA LIMITED • ST. THOMAS, ONTARIO, CANADA

Printed in U.S.A.

S/N 1129913 Up
PUMP ISSUE 1

Terminal Housing

If your pump serial number is followed by an "N", your pump is **NOT** a standard production model. Contact the Gorman-Rupp Company to verify part numbers.

ITEM NO.	PART NAME	PART NUMBER	MAT'L CODE	QTY
1	TERMINAL HOUSING	38381-232	17070	1
2	TERMINAL CAP	38381-625	17070	1
3	STUD	C0606	17090	2
4	HEX NUT	D06	17090	2
5	CABLE ASSY	47351-056	---	1
6	BUSHING	10758L	19540	1
7	RD HD MACH SCREW	X#10-02	14990	2
8	T TYPE LK WASHER	AK#10	15991	2
9	INFO PLATE	38816-047	17050	1
10	DRIVE SCREW	BM#04-03	17090	4
11	MOTOR PLATE	10436	17050	1
12	DRIVE SCREW	BM#04-03	17090	4
13	HEAT-SHRINK TUBE	31411-233	19530	3
14	HEX NUT	D#10	14990	6
15	* GASKET	38687-525	19370	1
16	TERM PLATE	38713-008	23010	1
17	* GASKET	38687-525	19370	1
18	DYNA-SEAL WASHER	S1590	---	3
19	TERMINAL	11181	14100	3
20	A HD SETSCREW	GA#10-01S	15991	3
21	RTV SEALANT	18771-106	---	1

* INDICATES PARTS RECOMMENDED FOR STOCK

THE GORMAN-RUPP COMPANY • MANSFIELD, OHIO

**For U.S. and International Warranty Information,
Please Visit www.grpumps.com/warranty
or call:
U.S.: 419-755-1280
International: +1-419-755-1352**

**For Canadian Warranty Information,
Please Visit www.grcanada.com/warranty
or call:
519-631-2870**