

D

Use With: OM-04760
MR-04885

PUBLICATION NUMBER PL-04943-01
December 3, 1998
Rev. C 12-30-2013



PUMP MODELS

**13C3-E1.5 3P, 13C3-E2 3P,
13C3-E3 3P, 13C3-E5 3P**

**MANUAL
PART 2 of 3**

**PARTS
LIST**

**WITH
PERFORMANCE CURVE**

THE GORMAN-RUPP COMPANY • MANSFIELD, OHIO

GORMAN-RUPP OF CANADA LIMITED • ST. THOMAS, ONTARIO, CANADA Printed in U.S.A.

©1998 The Gorman-Rupp Company

Register your new
Gorman-Rupp pump online at
www.grpumps.com

Valid serial number and e-mail address required.

RECORD YOUR PUMP MODEL AND SERIAL NUMBER

Please record your pump model and serial number in the spaces provided below. Your Gorman-Rupp distributor needs this information when you require parts or service.

Pump Model: _____

Serial Number: _____

PERFORMANCE CURVE – SECTION A

RECORDING MODEL AND SERIAL NUMBERS

Please record the pump model and serial number in the spaces provided below and in the separate Installation/Operation Manual accompanying your pump. Your Gorman-Rupp distributor needs this information when you require parts or service.

Pump Model: _____

Serial Number: _____

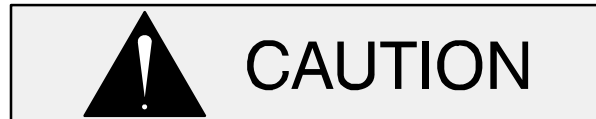
WARRANTY INFORMATION

The pump warranty is provided as part of Gorman-Rupp's support program for customers who operate and maintain their equipment as described in this manual and other accompanying literature. Please note that should the equipment be abused or modified to change its performance beyond the original factory specifications, the warranty will become void and any claim will be denied.

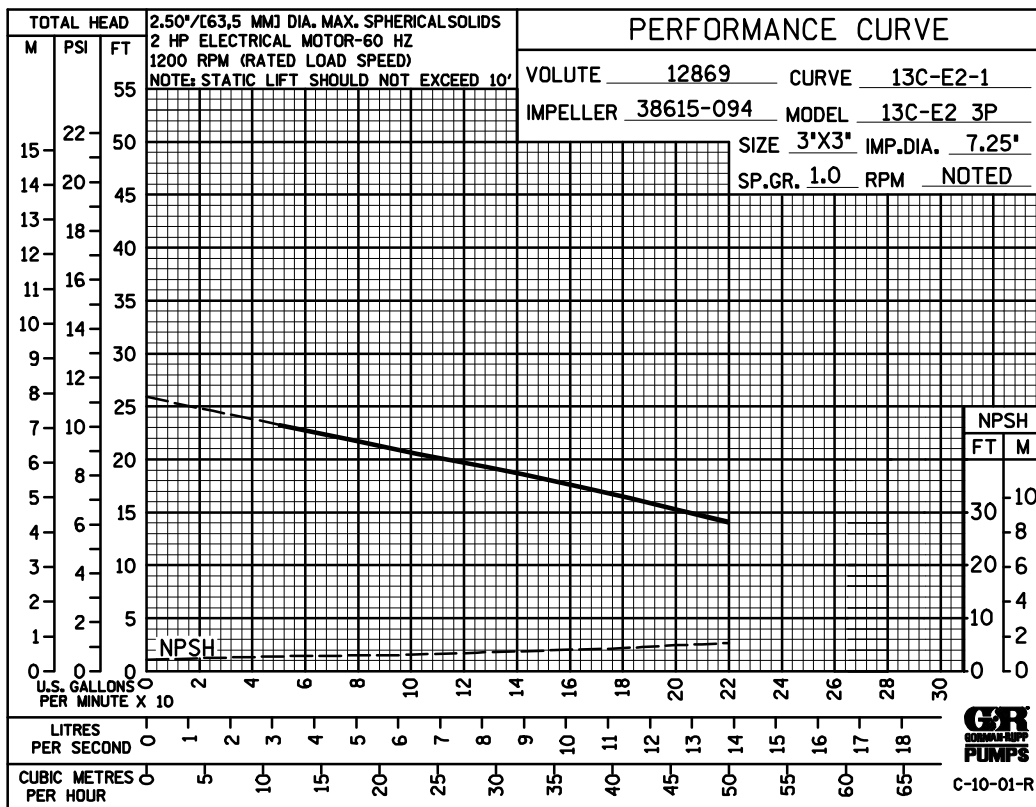
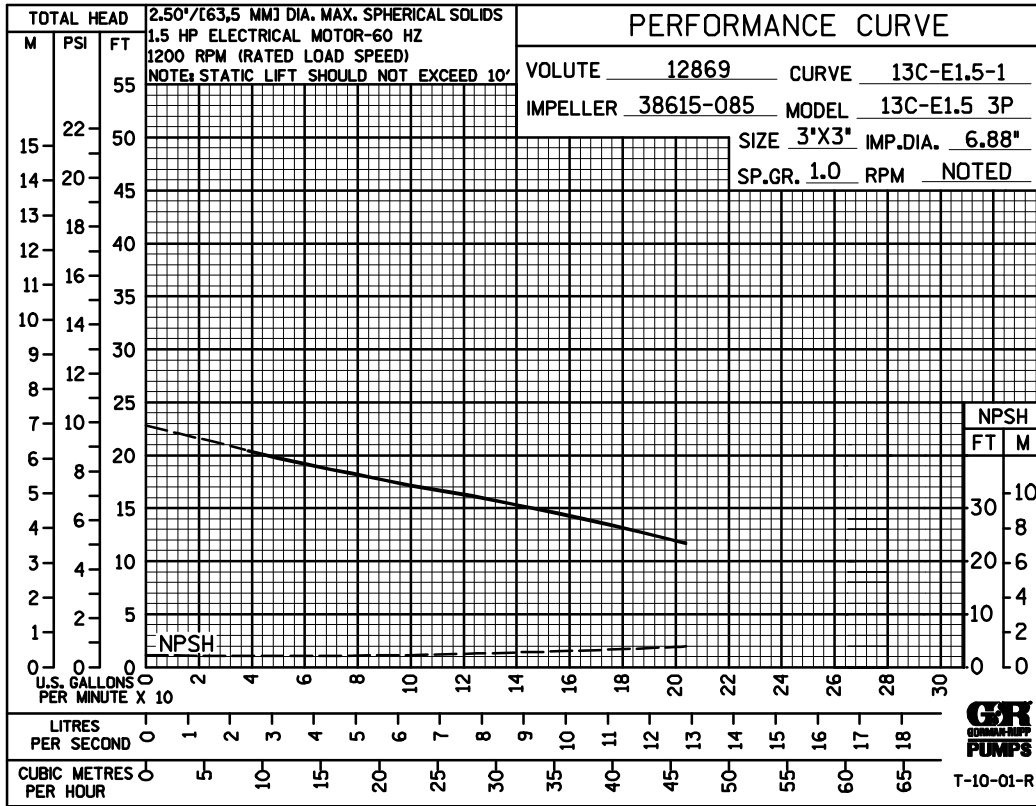
PERFORMANCE CURVES

The performance curves on the following pages are based on 70°F (21°C) clear water at sea level. Since pump installations are seldom identical, your performance may be different due to such factors as viscosity, specific gravity, elevation, temperature, and impeller trim.

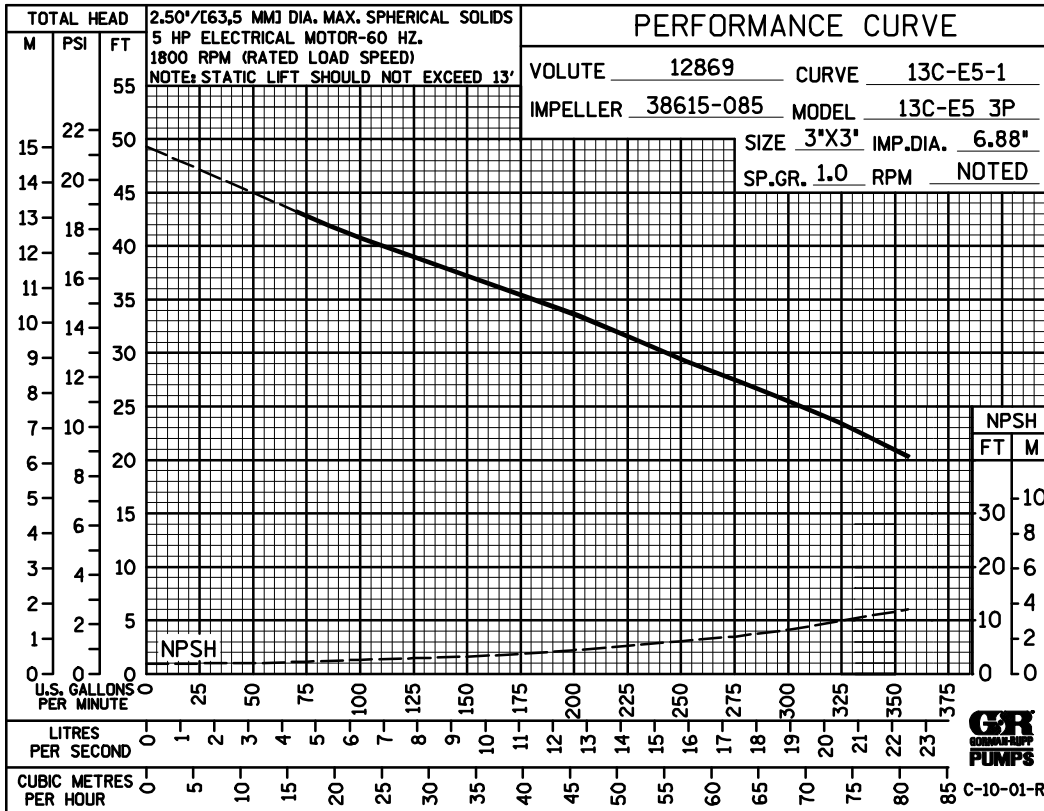
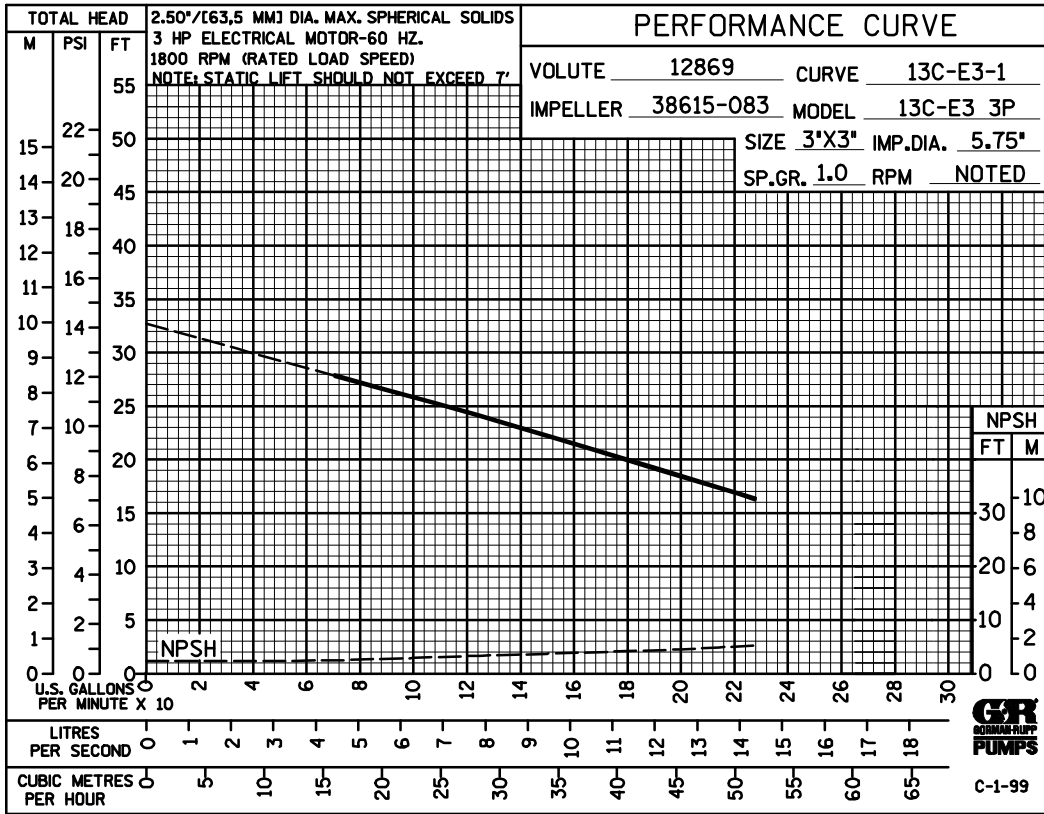
If your pump serial number is followed by an "N", your pump is **NOT** a standard production model. Contact the Gorman-Rupp Company to verify performance or part numbers.



Pump speed and operating condition points must be within the continuous performance range shown on the curve(s).



Performance Curves – Models 13C3–E1.5 3P And 13C3–E2 3P

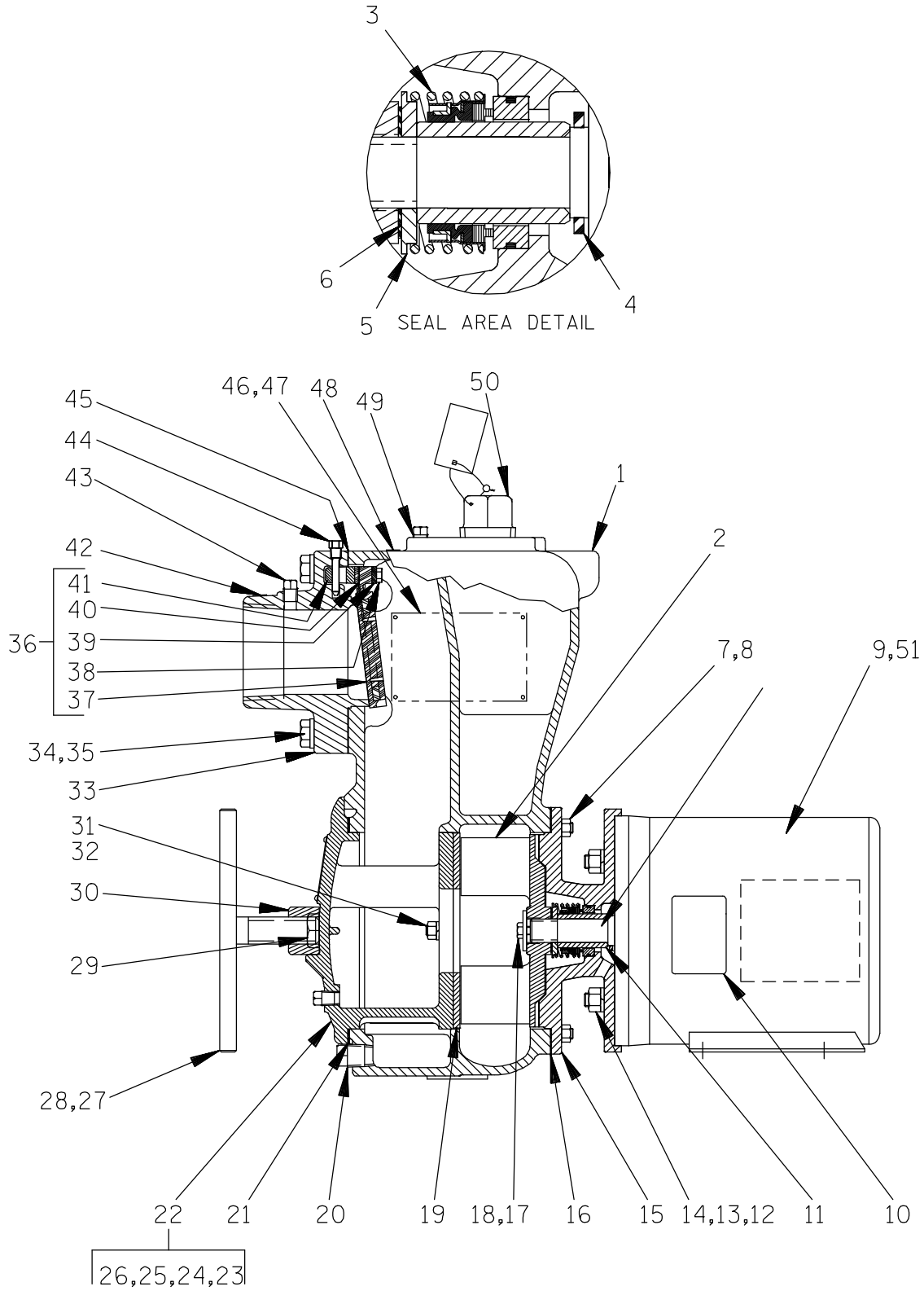


Performance Curves – Models 13C3–E3 3P And 13C3–E5 3P

D

13C3-E1.5 3P 13C3-E3 3P
13C3-E2 3P 13C3-E5 3P

S/N 1164829 UP
PUMP ISSUE 1



THE GORMAN-RUPP COMPANY • MANSFIELD, OHIO

GORMAN-RUPP OF CANADA LIMITED • ST. THOMAS, ONTARIO, CANADA Printed in U.S.A.

©Copyright by the Gorman-Rupp Company

13C3-E1.5 3P
13C3-E2 3P

13C3-E3 3P
13C3-E5 3P

S/N 1164829 UP

PUMP ISSUE 1

ITEM NO.	PART NAME	PART NUMBER	MAT'L CODE	QTY	ITEM NO.	PART NAME	PART NUMBER	MAT'L CODE	QTY
☞ 1	PUMP CASING	SEE NOTE BELOW			25	-WARNING PLATE	2613EV	13990	1
2 *	IMPELLER				26	-DRIVE SCREW	BM#04-03	17000	4
	-E1.5 3P	38615-085	11010	1	27	CLAMP BAR SCREW	2536	24000	1
	-E2 3P	38615-094	11010	1	28	INSTRUCTION LABEL	2613DK	----	1
	-E3 3P	38615-083	11010	1	☞ 29	MACHINE BOLT	A1009	15991	2
	-E5 3P	38615-085	11010	1	30	CLAMP	12872	11010	1
3 *	SEAL ASSY	25271-192	----	1	31	LOCKWASHER	J06	15991	2
4	SLINGER RING	38681-018	19140	1	32	HEX NUT	D06	15991	2
5 *	SPRING CNTR WASHER	31512-039	17000	1	33	SUCTION FLANGE	12874	10010	1
6 *	IMP ADJ SHIM SET	ZZ	17090	1	34	HEX HD CAPSCREW	B1008	15991	4
☞ 7	STUD	C0606	15991	8	35	LOCKWASHER	J10	15991	4
8	HEX NUT	D06	15991	8	36	FLAP VALVE ASSY	46411-060	----	1
9	MOTOR				37 *	-FLAP VALVE	46411-059	24010	1
	-E1.5 3P	28165-560	----	1	38	-NYLOCK CAPSCREW	BT0405	15991	2
	-E2 3P	28166-550	----	1	39	-BACKUP PLATE	33461-004	15020	1
	-E3 3P	28167-560	----	1	40	-SPACER SLEEVE	31411-088	19360	2
	-E5 3P	28168-550	----	1	41	-ADAPTOR	33291-006	11060	1
10	WARNING DECAL	2613FF	----	1	42	SUCTION STICKER	6588AG	----	1
11 *	SHAFT SLEEVE	31414-081	16000	1	43	PIPE PLUG	P04	15079	1
12	LOCKWASHER	J08	15991	4	44	CHECK VALVE PIN	11557A	17010	1
13	HEX NUT	D08	15991	4	45 *	SUCT FLANGE GSKT	11412G	19370	1
14	STUD	C0807	15991	4	46	NAME PLATE	38818-023	13990	1
15	INTERMEDIATE	38264-329	10000	1	47	DRIVE SCREW	BM#04-03	17000	4
16 *	CASING GASKET SET	3G	18000	1	48	PRIMING STICKER	6588AH	----	1
17 *	IMP WASHER	31131-084	15991	1	☞ 49	PIPE PLUG	P04	15079	1
18 *	NYLOCK CAPSCREW	BT0504S	15991	1	☞ 50	FILL PLUG ASSY	48271-069	----	1
19 *	WEAR PLATE ASSY	2634A	15990	1	51	FLAT WASHER	K04	15991	2
☞ 20	CASING DRAIN PLUG	P08	15079	1	NOT SHOWN:				
21 *	COVER PLATE GSKT	2985G	19090	1		ROTATION DECAL	2613M	----	1
22	COVER PLATE ASSY	42111-924	----	1		WARNING DECAL	2613FE	----	1
23	-BACK COVER PLATE	NOT AVAILABLE		1		G-R DECAL	GR-03	----	1
24	-PIPE PLUG	P04	15079	1					

* INDICATES PARTS RECOMMENDED FOR STOCK

☞ INCLUDED WITH 46471-516 ---- 1
 REPAIR PUMP CASING ASSY

THE GORMAN-RUPP COMPANY • MANSFIELD, OHIO

GORMAN-RUPP OF CANADA LIMITED • ST. THOMAS, ONTARIO, CANADA Printed in U.S.A.

©Copyright by the Gorman-Rupp Company

**For U.S. and International Warranty Information,
Please Visit www.grpumps.com/warranty
or call:
U.S.: 419-755-1280
International: +1-419-755-1352**

**For Canadian Warranty Information,
Please Visit www.grcanada.com/warranty
or call:
519-631-2870**