

Use With: OM-04760  
MR-04959

PL-04977-01  
February 26, 1999  
Rev. A 06-03-2014



**PUMP MODEL**  
**14C3-E3 3P**  
**14C3-E5 3P**

**MANUAL**  
**PART 2 of 3**

**PARTS**  
**LIST**  
**WITH**  
**PERFORMANCE CURVE**

**GORMAN-RUPP PUMPS**

[www.grpumps.com](http://www.grpumps.com)

©1993 Gorman-Rupp Pumps

Printed in U.S.A.

Register your new  
Gorman-Rupp pump online at  
**[www.grpumps.com](http://www.grpumps.com)**

Valid serial number and e-mail address required.

## PERFORMANCE CURVE – SECTION A

### RECORDING MODEL AND SERIAL NUMBERS

Please record the pump model and serial number in the spaces provided below and in the separate Installation/Operation Manual accompanying your pump. Your Gorman-Rupp distributor needs this information when you require parts or service.

Pump Model: \_\_\_\_\_

Serial Number: \_\_\_\_\_

Motor:

Voltage: \_\_\_\_\_

Phase: \_\_\_\_\_

### WARRANTY INFORMATION

The pump warranty is provided as part of Gorman-Rupp’s support program for customers who operate and maintain their equipment as described in this manual and other accompanying literature. Please note that should the equipment be abused or modified to change its performance beyond the original factory specifications, the war-

ranty will become void and any claim will be denied.

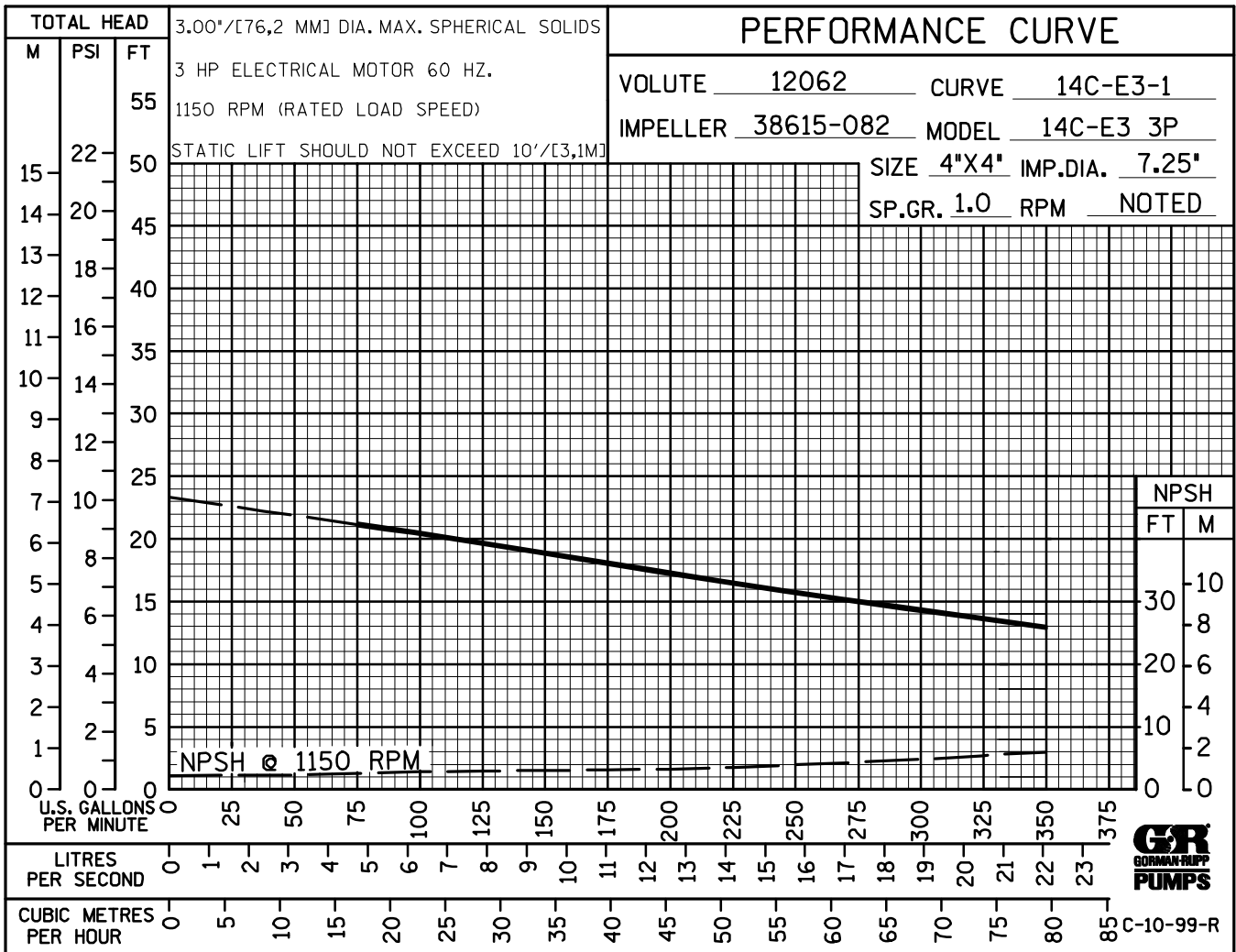
### PERFORMANCE CURVES

The performance curves on the following page are based on 70° F (21° C) clear water at sea level. Since pump installations are seldom identical, your performance may be different due to such factors as viscosity, specific gravity, elevation, temperature, and impeller trim.

If your pump serial number is followed by an “N”, your pump is **NOT** a standard production model. Contact the Gorman-Rupp Company to verify performance or part numbers.



Pump speed and operating condition points must be within the continuous performance range shown on the curve(s).



Performance Curve – Model 14C3–E3 3P

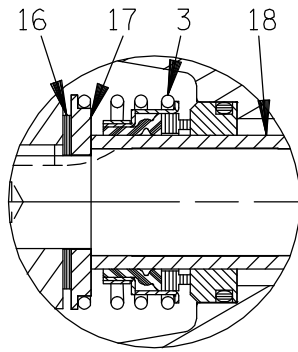


# 14C3-E3 3P

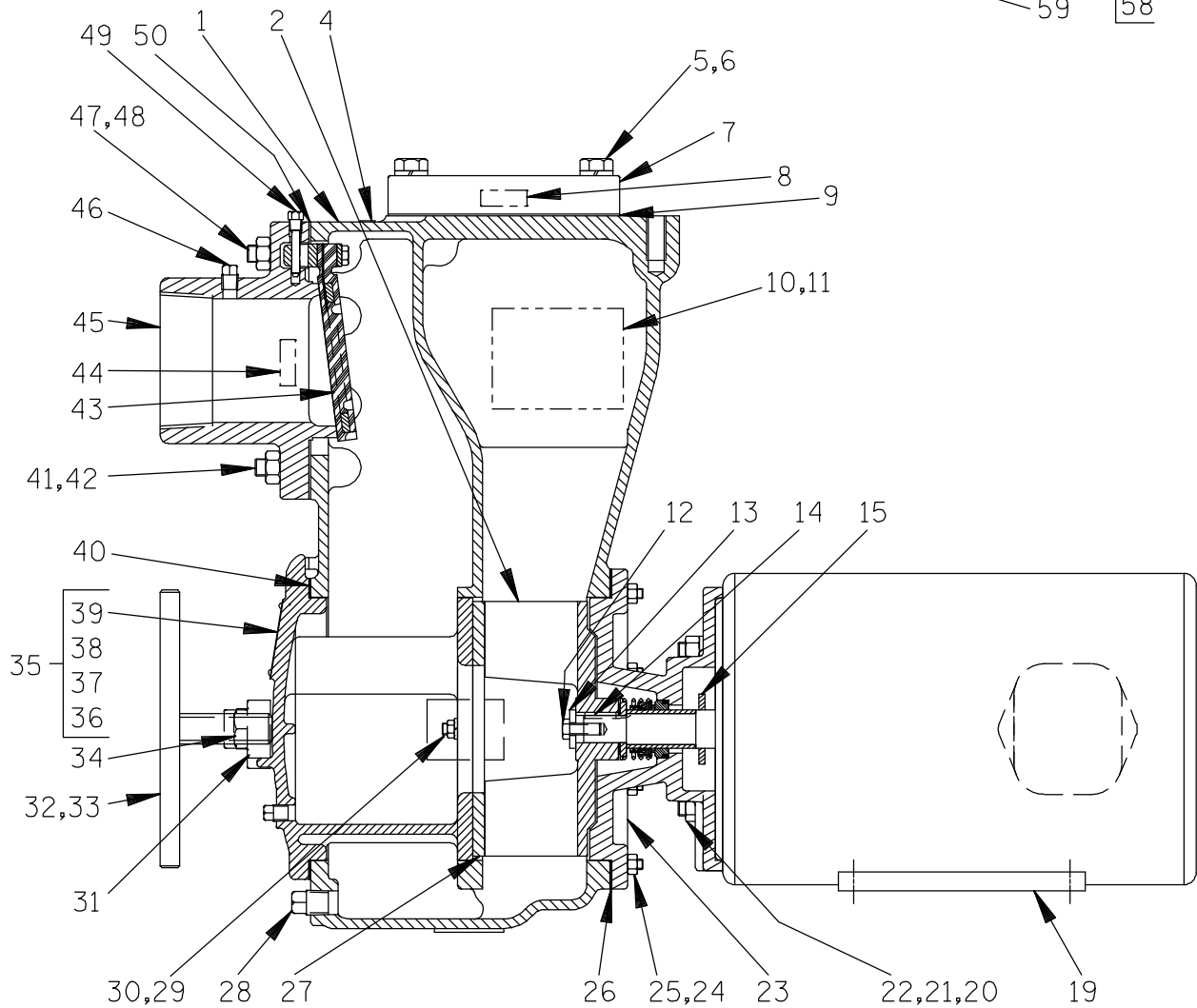
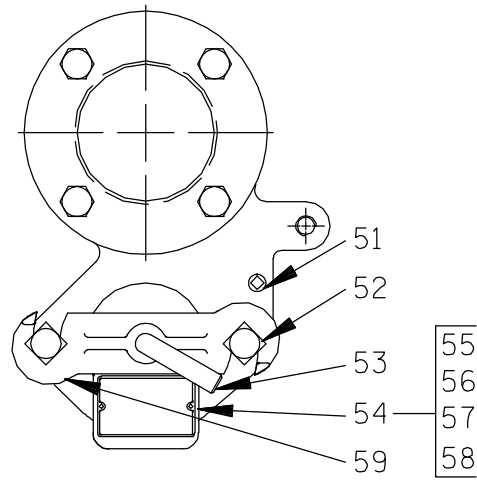
# 14C3-E5 3P

S/N 1181438 UP

PUMP ISSUE 1



SEAL AREA DETAIL



# 14C3-E3 3P 14C3-E5 3P

S/N 1181438 UP

PUMP ISSUE 1

If your pump serial number is followed by an "N", your pump is NOT a standard production model. Contact the Gorman-Rupp Company to verify part numbers.

ITEM NO.	PART NAME	PART NUMBER	MAT'L CODE	QTY	ITEM NO.	PART NAME	PART NUMBER	MAT'L CODE	QTY
☞ 1	PUMP CASING	SEE NOTE BELOW			32	CLAMP BAR SCREW	2536	24000	1
2 *	IMPELLER				33	INSTRUCTION LABEL	2613DK	---	1
	14C3-E3 3P	38615-082	11060	1	☞34	MACHINE BOLT	A1012	15991	2
	14C3-E5 3P	38615-081	11060	1	35	BACK CVR PLATE ASSY	42111-929	---	1
3 *	SEAL ASSY	25271-192	---	1	36	-WARNING PLATE	2613EV	13990	1
4	PRIMING DECAL	6588AH	---	1	37	-BACK COVER PLT	NOT AVAILABLE		1
5	HEX HD CAPSCREW	B1008	15991	4	38	-DRIVE SCREW	BM#04-03	17000	4
6	LOCKWASHER	J10	15991	4	39	-PIPE PLUG	P04	15079	1
7	DISCHARGE FLANGE	271	10010	1	40 *	BACK CVR GSKT	2527G	19090	1
8	DISCHARGE STICKER	6588BJ	---	1	☞41	STUD	C1010	15991	6
9 *	DISCH FLANGE GSKT	1674G	18000	1	42	HEX NUT	D10	15991	6
10	NAME PLATE	38818-023	13990	1	43 *	CHECK VALVE ASSY	46411-062	---	1
11	DRIVE SCREW	BM#04-03	17000	4	44	SUCTION STICKER	6588AG	---	1
12	HEX HD CAPSCREW	B0604	15991	1	45	SUCTION FLANGE	12065	10010	1
13	IMPELLER WASHER	3118	15990	1	46	PIPE PLUG	P04	15079	1
14	IMP SHAFT KEY	N0304	15990	1	☞47	STUD	C1011	15991	2
15	SLINGER RING	3272	19120	1	48	HEX NUT	D10	15991	2
16 *	IMP SHIM SET	2Z	17090	1	49	CHECK VALVE PIN	11557	17010	1
17	SPRING CNTR WASHER	31512-039	17000	1	50 *	SUCT FLANGE GSKT	11389G	19370	1
18	SHAFT SLEEVE	3894	16000	1	☞51	PIPE PLUG	P04	15079	1
19	MOTOR				☞52	MACHINE BOLT	A1014	15991	2
	14C3-E3 3P	28216-601	---	1	53	CLAMP BAR SCREW	31912-009	15000	1
	14C3-E5 3P	28217-601	---	1	54	FILL CVR PLATE ASSY	42111-344	---	1
20	STUD	C0808	15991	4	55	-COVER PLATE	NOT AVAILABLE		1
21	LOCKWASHER	J08	15991	4	56	-WARNING PLATE	38816-097	13990	1
22	HEX NUT	D08	15991	4	57	-DRIVE SCREW	BM#04-03	17000	2
23	INTERMEDIATE	38264-330	10000	1	58 *	-COVER PLATE GSKT	50G	19210	1
☞24	STUD	C0606	15991	8	59	CLAMP BAR	38111-004	11010	1
25	HEX NUT	D06	15991	8	NOT SHOWN:				
26 *	CASING GSKT SET	2474G	18000	1		ROTATION DECAL	2613M	---	1
27 *	WEAR PLATE ASSY	12068	15990	1		WARNING DECAL	2613FE	---	1
☞28	CASING DRAIN PLUG	P08	15079	1		STRAINER	2690C	24000	1
29	LOCKWASHER	J06	15991	2		WARNING DECAL	2613FF	---	1
30	HEX NUT	D06	15991	2		G-R DECAL 3"	GR-03	---	1
31	CVR PLATE CLAMP	12064	11010	1					

\* INDICATES PARTS RECOMMENDED FOR STOCK

☞ INCLUDED WITH 46471-553 --- 1  
REPAIR PUMP CASING ASSY

**For U.S. and International Warranty Information,  
Please Visit [www.grpumps.com/warranty](http://www.grpumps.com/warranty)  
or call:**

**U.S.: 419-755-1280  
International: +1-419-755-1352**

**For Canadian Warranty Information,  
Please Visit [www.grcanada.com/warranty](http://www.grcanada.com/warranty)  
or call:**

**519-631-2870**