



10 SERIES
PUMP MODEL
12D1 – GX160
12D1 – (GX160) PPO

**MANUAL
PART 2 of 3**

**PARTS
LIST
WITH
PERFORMANCE CURVE**

THE GORMAN-RUPP COMPANY • MANSFIELD, OHIO

GORMAN-RUPP OF CANADA LIMITED • ST. THOMAS, ONTARIO, CANADA Printed in U.S.A.

©Copyright by the Gorman-Rupp Company



The engine exhaust from this product contains chemicals known to the State of California to cause cancer, birth defects or other reproductive harm.

PERFORMANCE CURVE – SECTION A

RECORDING MODEL AND SERIAL NUMBERS

Please record the pump model and serial number in the spaces provided below and in the separate Installation/Operation Manual accompanying your pump. Your Gorman-Rupp distributor needs this information when you require parts or service.

Pump Model: _____

Serial Number: _____

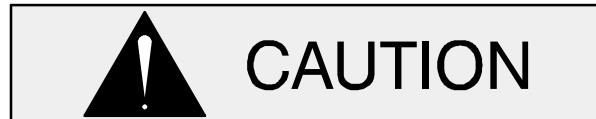
WARRANTY INFORMATION

The pump warranty is provided as part of Gorman-Rupp's support program for customers who operate and maintain their equipment as described in this manual and other accompanying literature. Please note that should the equipment be abused or modified to change its performance beyond the original factory specifications, the warranty will become void and any claim will be denied.

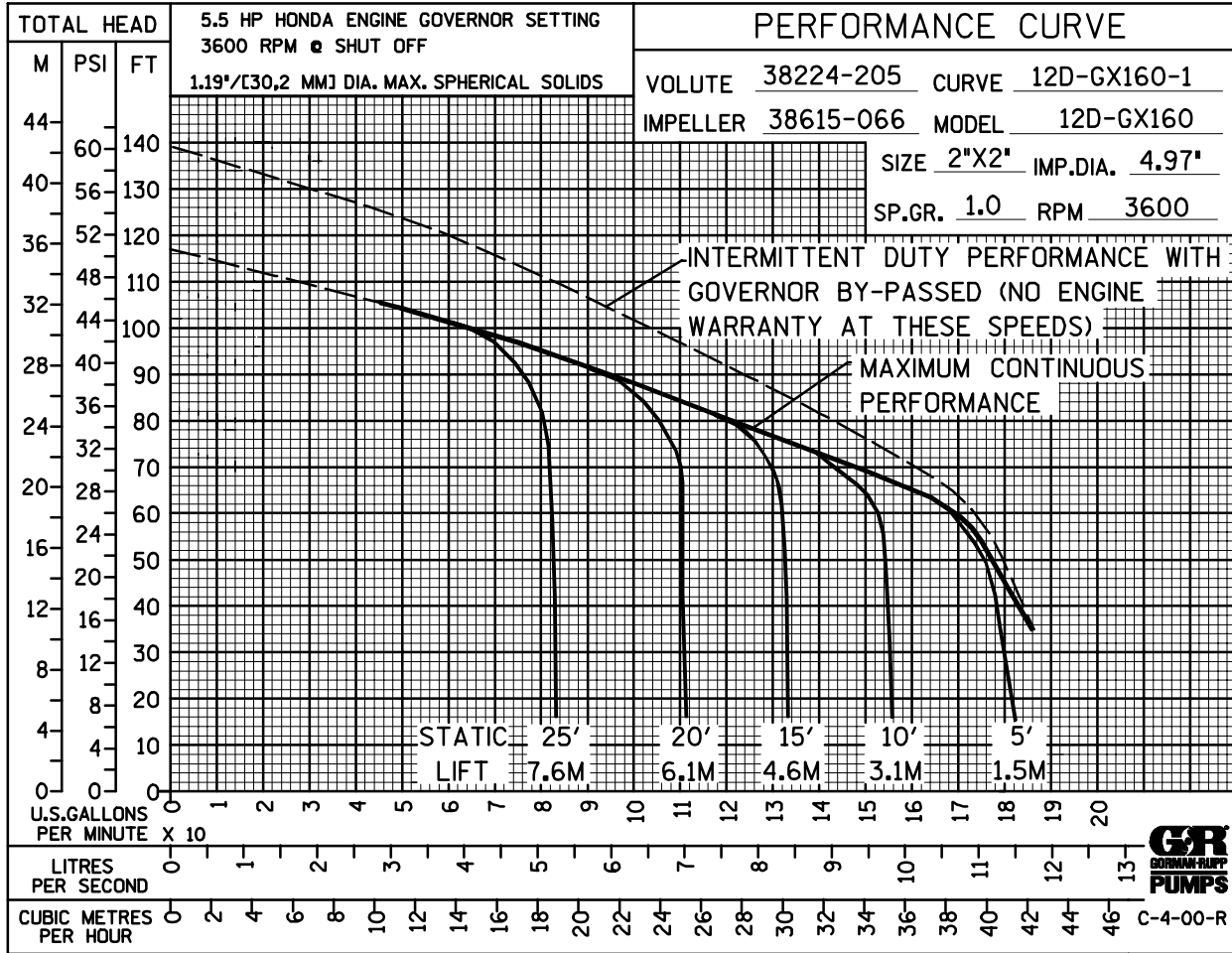
PERFORMANCE CURVE

The performance curve on the following page is based on 70° F (21° C) clear water at sea level with minimum suction lift. Since pump installations are seldom identical, your performance may be different due to such factors as viscosity, specific gravity, elevation, temperature, and impeller trim.

If your pump serial number is followed by an "N", your pump is **NOT** a standard production model. Contact the Gorman-Rupp Company to verify performance or part numbers.

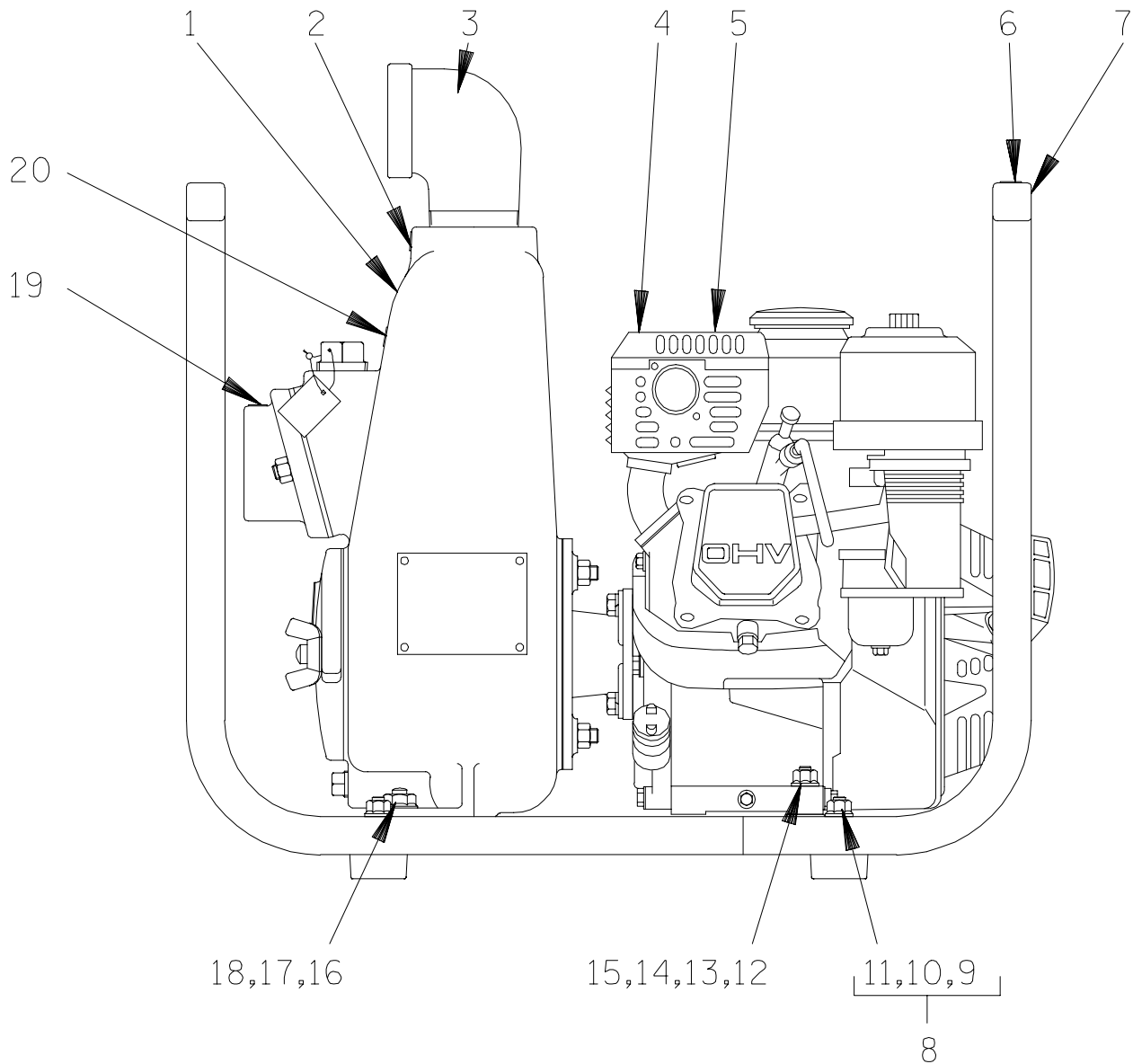


Pump speed and operating condition points must be within the continuous performance range shown on the curve.



Performance Curve – Model 12D1 –GX160 And 12D1 –(GX160) PPO

This Page Intentionally Blank



THE GORMAN-RUPP COMPANY • MANSFIELD, OHIO

GORMAN-RUPP OF CANADA LIMITED • ST. THOMAS, ONTARIO, CANADA

Printed in U.S.A.

June 3, 2002

©Copyright by the Gorman-Rupp Company

1 of 4

Page 10.2 D15

12D1 – GX160
12D1 – (GX160) PPO

ACDEGU

S/N 1252722 Up
PUMP ISSUE 1

PARTS LIST
Pump Model 12D1 – GX160

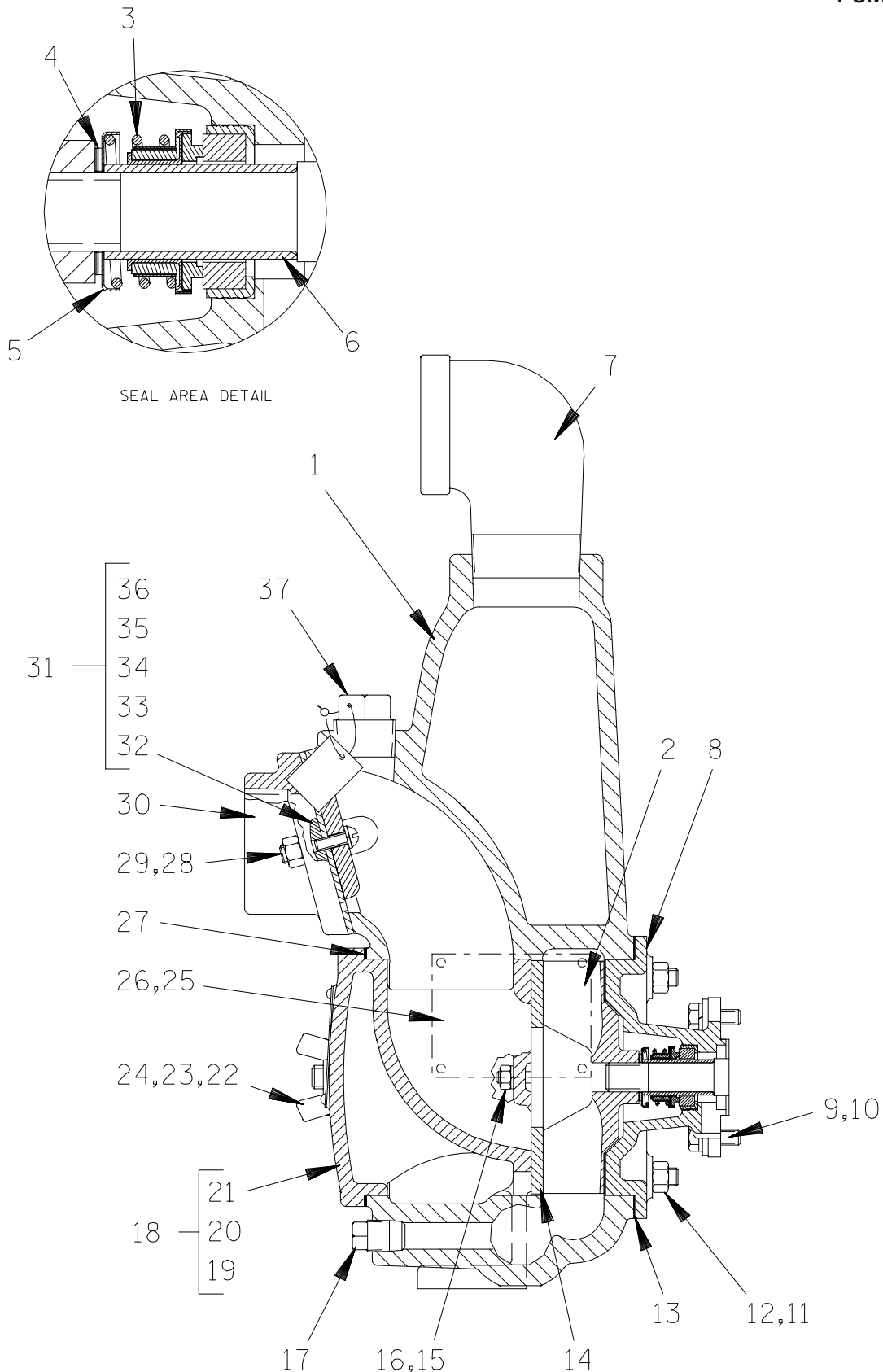
If your pump serial number is followed by an "N", your pump is **NOT** a standard production model. Contact the Gorman-Rupp Company to verify part numbers.

ITEM NO.	PART NAME	PART NUMBER	MAT'L CODE	QTY
1	PUMP END ASSEMBLY	12D1 – (GX160) PPO	---	1
2	DISCHARGE STICKER	6588BJ	---	1
3	STREET ELBOW	RS32	11999	1
4	HONDA GX – 160 ENGINE	29122 – 023	---	1
5	WARNING DECAL	2613FE	---	1
6	HAND CARRY DECAL	2613FT	---	2
7	ROLLOVER BASE	41583 – 316	24150	1
8	RUBBER FOOT MOUNTING KIT	48152 – 607	---	1
9	– MOUNTING FOOT	24631 – 401	---	4
10	– FLANGED HEX NUT	21765 – 312	---	4
11	– HEX HD CAPSCREW	B0506	15991	4
12	HEX HD CAPSCREW	B0507	15991	2
13	FLAT WASHER	KE05	15991	2
14	SPACER	31131 – 073	13000	2
15	FLANGED HEX NUT	21765 – 312	---	2
16	HEX HD CAPSCREW	B0605	15991	2
17	FLAT WASHER	KE06	15991	2
18	FLANGED HEX NUT	21765 – 314	---	2
19	SUCTION STICKER	6588AG	---	1
20	PRIMING STICKER	6588AH	---	1

* INDICATES PARTS RECOMMENDED FOR STOCK

THE GORMAN-RUPP COMPANY • MANSFIELD, OHIO

GORMAN-RUPP OF CANADA LIMITED • ST. THOMAS, ONTARIO, CANADA Printed in U.S.A.



THE GORMAN-RUPP COMPANY • MANSFIELD, OHIO

GORMAN-RUPP OF CANADA LIMITED • ST. THOMAS, ONTARIO, CANADA

Printed in U.S.A.

**12D1 – GX160
12D – (GX160) PPO**

ACDEGU

S/N 1252722 Up
PUMP ISSUE 1

**PARTS LIST
12D1 – (GX160) PPO**

ITEM NO.	PART NAME	PART NUMBER	MAT'L CODE	QTY	ITEM NO.	PART NAME	PART NUMBER	MAT'L CODE	QTY
1	PUMP CASING	38224-205	13040	1	21	- DRIVE SCREW	BM#04-03	17000	4
2 *	IMPELLER	38615-066	11060	1	22	STUD	C0808	15991	2
3 *	SEAL ASSEMBLY	25285-853	---	1	23	FLAT WASHER	KE08	15991	2
4	IMP ADJUST SHIM SET	513A	17090	1	24	WING NUT	BB08	15991	2
5	SPRING RETAINER	31161-041	17000	1	25	NAME PLATE	38818-021	13990	1
6 *	SHAFT SLEEVE	31411-267	17020	1	26	DRIVE SCREW	BM#04-03	17000	4
7	STREET ELBOW	RS32	11999	1	27 *	BACK COVER GSKT	12369G	20000	1
8	INTERMEDIATE	6732A	10010	1	28	STUD	C0606	15991	2
9	HEX HD CAPSCREW	B0503-1/2S	15991	4	29	HEX NUT	D06	15991	2
10	LOCKWASHER	J05	15991	4	30	SUCTION FLANGE	38645-024	13040	1
11	STUD	C0605 1/2	15991	4	31	CHECK VALVE ASSY	46413-028	---	1
12	HEX NUT	D06	15991	4	32 *	- VALVE WEIGHT	19B	10010	1
13 *	CASING GASKET SET	504G	18000	1	33 *	- VALVE WEIGHT	1354	15160	1
14	WEAR PLATE	46451-018	24150	1	34	- LOCKWASHER	J04	17090	1
15	LOCKWASHER	J04	15991	2	35	RD HD MACHINE SCREW	X0403	17090	1
16	HEX NUT	D04	15991	2	36 *	CHECK VALVE	38671-630	19070	1
17	CASING DRAIN PLUG	P06	15079	1	37	FILL PLUG ASSY	48271-063	---	1
18	BACK COVER PLATE	42111-919	---	1					
19	- WARNING PLATE	2613EV	13990	1	NOT SHOWN:				
20	- COVER PLATE	NOT AVAILABLE		1	STRAINER		9026D	24001	1

* INDICATES PARTS RECOMMENDED FOR STOCK

THE GORMAN-RUPP COMPANY • MANSFIELD, OHIO

GORMAN-RUPP OF CANADA LIMITED • ST. THOMAS, ONTARIO, CANADA Printed in U.S.A.

**For U.S. and International Warranty Information,
Please Visit www.grpumps.com/warranty
or call:
U.S.: 419-755-1280
International: +1-419-755-1352**

**For Canadian Warranty Information,
Please Visit www.grcanada.com/warranty
or call:
519-631-2870**