



# Self Priming Centrifugal Pump

## Model 03F3-B

### Size 3" x 3"

#### PUMP SPECIFICATIONS

**Size:** 3" x 3" (76 mm x 76 mm) NPT - Female.

**Casing:** Gray Iron 30.

Maximum Operating Pressure 75 psi (517 kPa).\*

**Enclosed Type, Six Vane Impeller:** Copper Alloy C83600.

Handles 5/8" (15,9 mm) Diameter Spherical Solids.

**Impeller Shaft:** Alloy Steel 4150.

**Replaceable Wear Ring:** Gray Iron 30.

**Pedestal:** Gray Iron 30.

**Seal Plate:** Gray Iron 30.

**Shaft Sleeve:** Alloy Steel 4130.

**Radial Bearing:** Open Single Row Ball.

**Thrust Bearing:** Open Double Row Ball.

**Bearing Lubrication:** Grease.

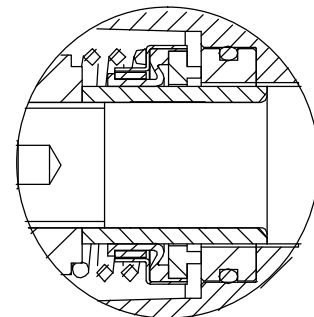
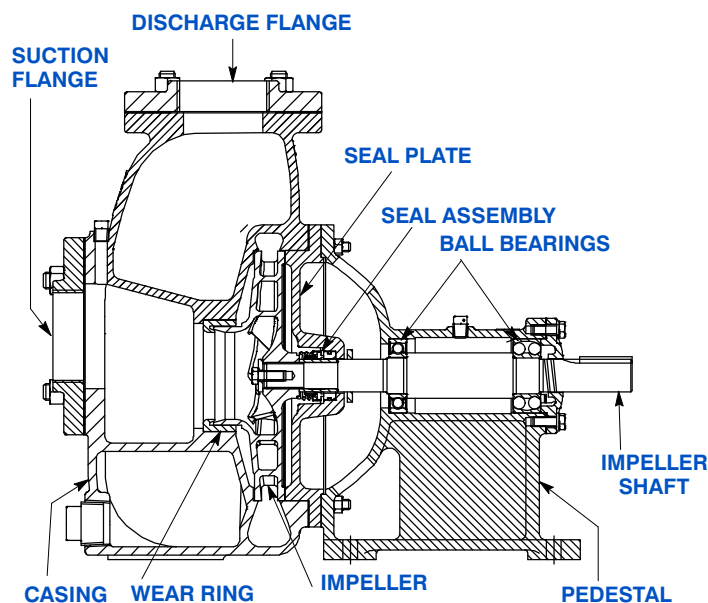
**Flanges:** Gray Iron 30.

**Gaskets:** Composition Cork and Buna-N.

**Hardware:** Standard Plated Steel.

**Optional Equipment:** All Iron Construction. Fluorocarbon Gaskets (DuPont Viton® or Equivalent). Spool Flanges.

*\*Consult Factory for Applications Exceeding Maximum Pressure and/or Temperature Indicated.*



#### SEAL DETAIL:

Type 21, Mechanical Self-Lubricated. Carbon Rotating Face. Ni-Resist Stationary Face. Fluorocarbon Elastomers (DuPont Viton® or Equivalent). Stainless Steel 18-8 Cage and Spring. Maximum Temperature of Liquid Pumped, 160°F (71°C).\*



## GORMAN-RUPP PUMPS

www.grpumps.com

Specifications Subject to Change Without Notice

Printed in U.S.A.

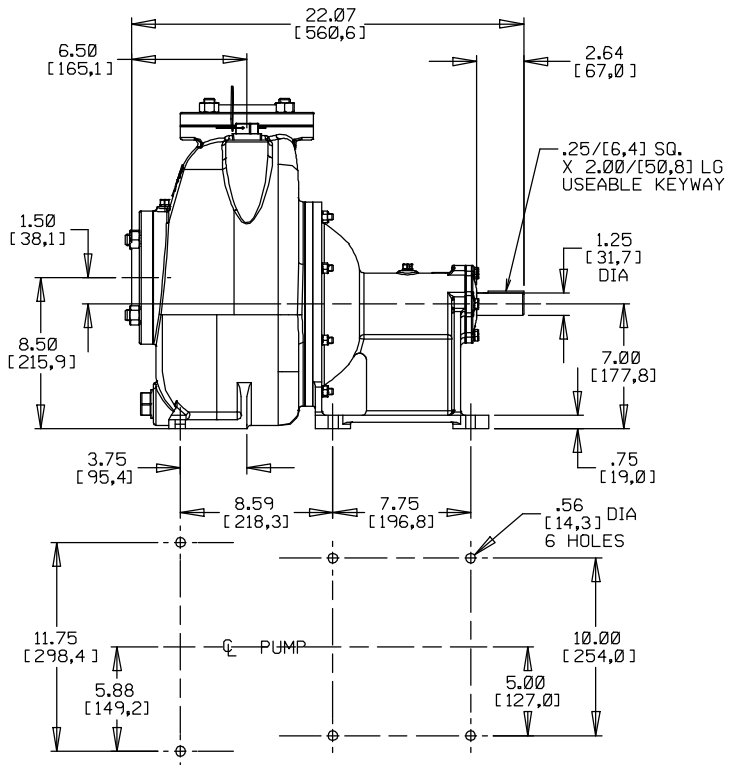
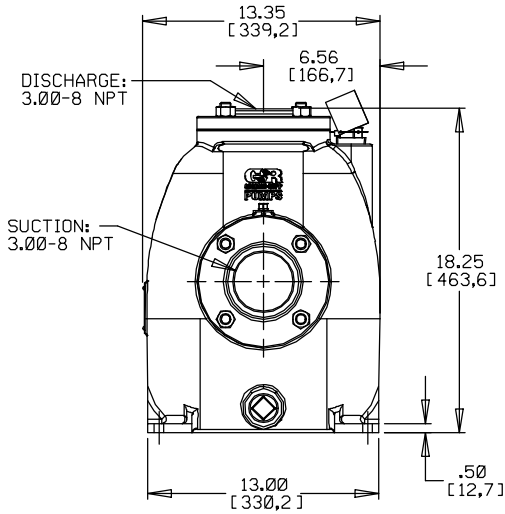
**Specification Data**

APPROXIMATE  
DIMENSIONS and WEIGHTS

NET WEIGHT:  
SHIPPING WEIGHTS:  
EXPORT CRATE:

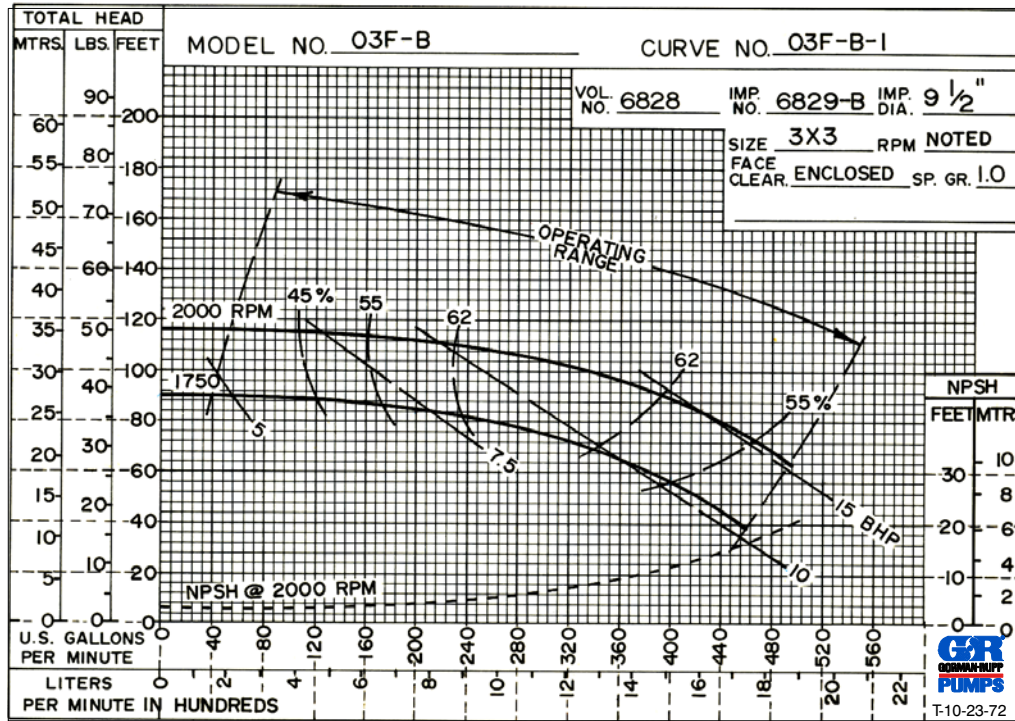
199 LBS (90,2 KGS.)  
209 LBS (94,8 KGS.)  
8.6 CU. FT. (0,24 CU. M.)

SECTION 30, PAGE 1500



DIMENSIONS:  
INCHES  
[MILLIMETERS]

**MULTI-SPEED  
CURVE  
PERFORMANCE  
BASED ON  
WATER**



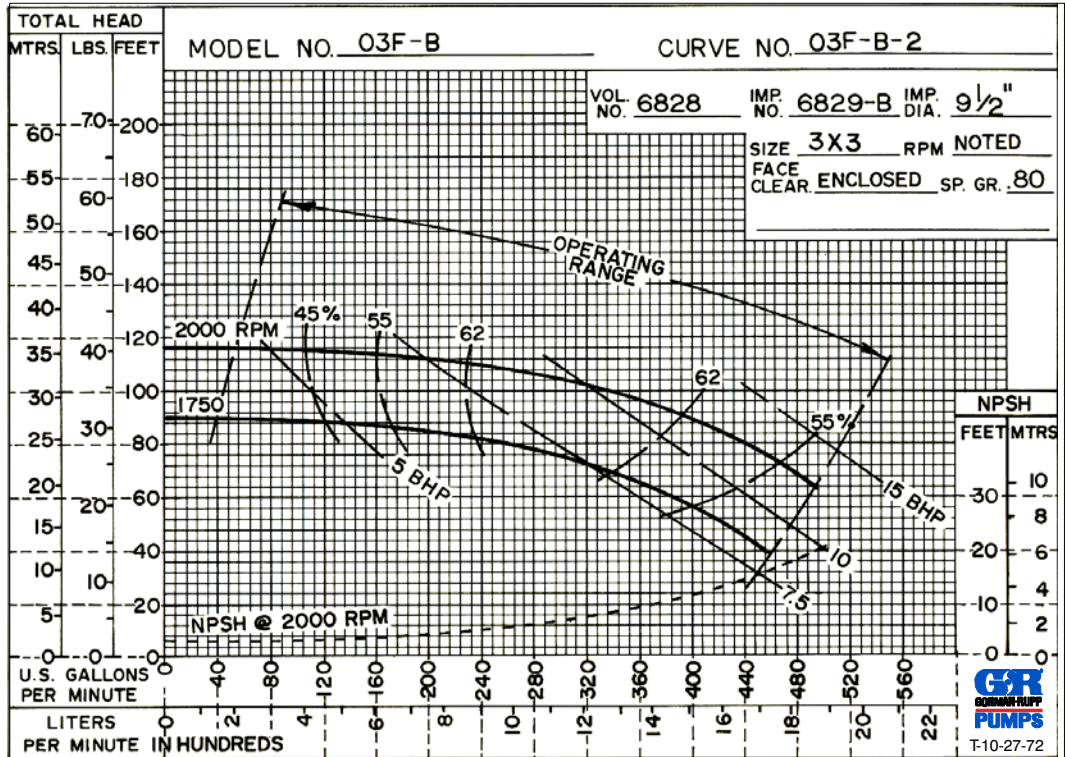
**GORMAN-RUPP PUMPS**

www.grpumps.com

Specifications Subject to Change Without Notice

Printed in U.S.A.

**MULTI-SPEED  
CURVE  
PERFORMANCE  
BASED ON  
PETROLEUM**



GORMAN-RUPP PUMPS

www.grpumps.com

Specifications Subject to Change Without Notice

Printed in U.S.A.