

A B C E



Self Priming Centrifugal Pump

Models 04A3-B and 04A20-B

Size 4" x 4"

PUMP SPECIFICATIONS

Size: 4" x 4" (102 mm x 102 mm) NPT – Female

Casing: Gray Iron 30.

Maximum Operating Pressure 235 psi (1623 kPa).*

Enclosed Type, Five Vane Impeller:

(04A3-B): Copper Alloy C83600.

(04A20-B): Gray Iron 30.

Handles 9/16" (14,3 mm) Diameter Spherical Solids.

Impeller Shaft: Carbon Steel Grade 1045.

Shaft Sleeve: (04A3-B) Alloy Steel 4130.

Replaceable Wear Rings: Gray Iron 30.

Removable Cleanout Cover: Gray Iron 30.

Weight 2 lbs. (0,9 kg.).

Pedestal: Gray Iron 30.

Seal Plate: Gray Iron 30.

Radial Bearing: Open Single Row Ball.

Thrust Bearing: Open Double Row Ball.

Bearing Lubrication: SAE 30 Non-Detergent Oil.

Flanges: Ductile Iron 60-40-18.

O-Rings: Buna-N.

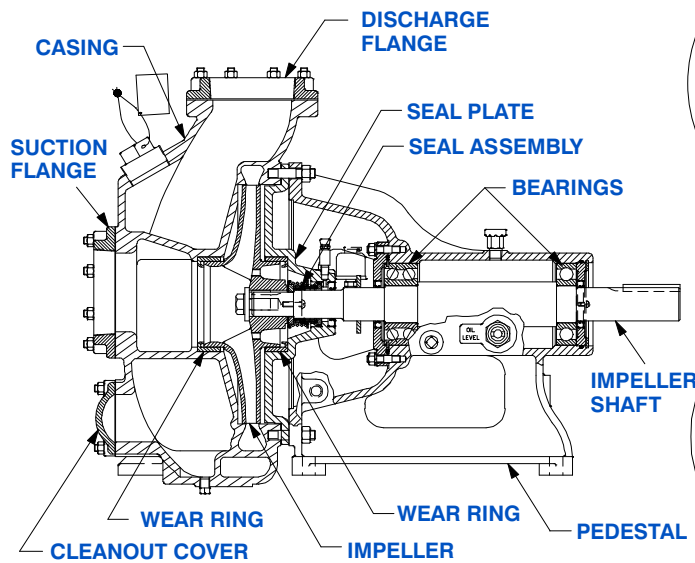
Gaskets: Resistant Synthetic Rubber and Cork.

Hardware: Standard Plated Steel.

Oil Level Sight Gauge.

Optional Equipment: Strainer.

**Consult Factory for Applications Exceeding
Maximum Pressure and/or Temperature Indicated.*



MODEL 04A20-B SHOWN

SEAL MODEL 04A3-B

Type 2, Mechanical, Self-Lubricated. Carbon Rotating Face. Ni-Resist Stationary Face. Fluorocarbon Elastomers (DuPont Viton® or Equivalent). Stainless Steel 18-8 Cage and Spring. Maximum Temperature of Liquid Pumped 160°F (71°C).*

SEAL MODEL 04A20-B

Type 2, Mechanical, Oil-Lubricated, Self-Aligning. Tungsten Titanium Carbide Rotating and Stationary Faces. Stainless Steel 316 Stationary Seat. Fluorocarbon Elastomers (DuPont Viton® or Equivalent). Stainless Steel 18-8 Cage and Spring. Maximum Temperature of Liquid Pumped 160°F (71°C).*



THE GORMAN-RUPP COMPANY • MANSFIELD, OHIO

GORMAN-RUPP OF CANADA LIMITED • ST. THOMAS, ONTARIO, CANADA

www.grpumps.com

Specifications Subject to Change Without Notice

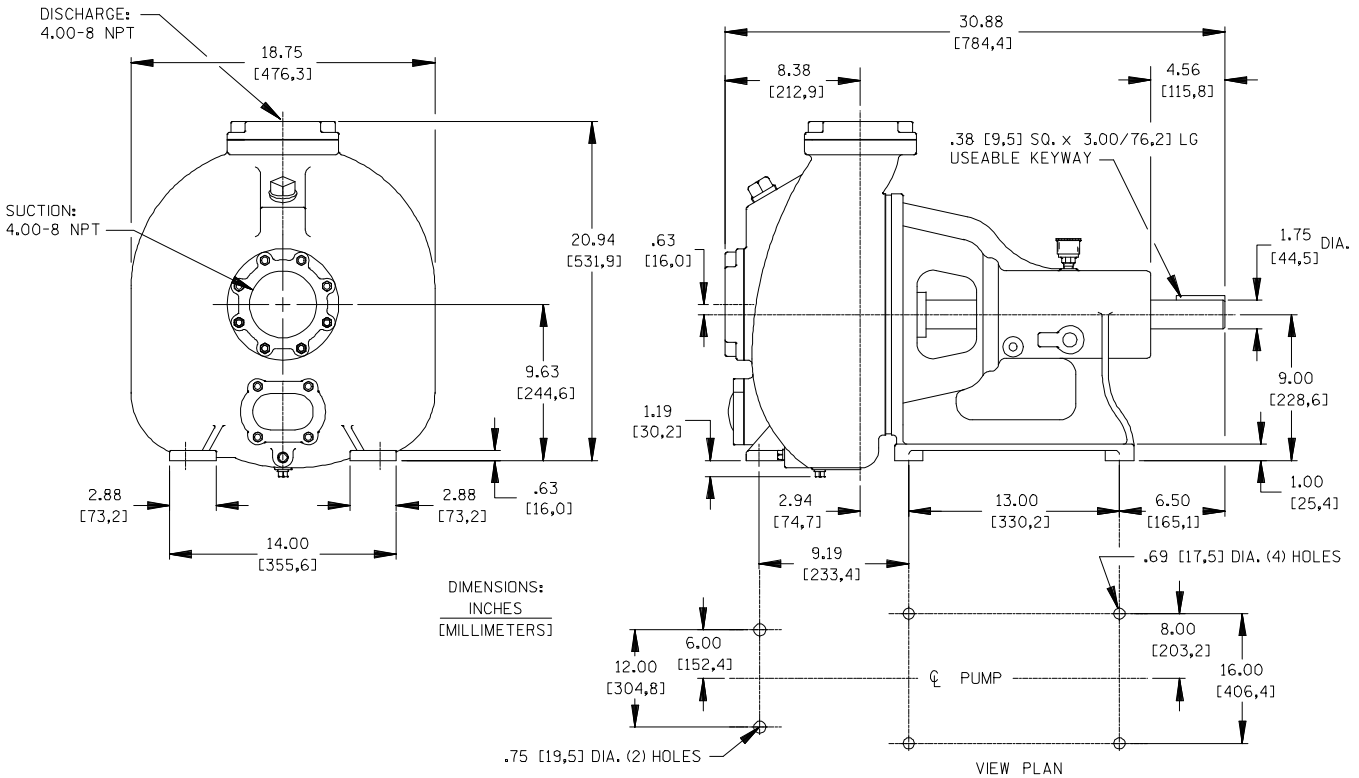
Printed in U.S.A.

Specification Data

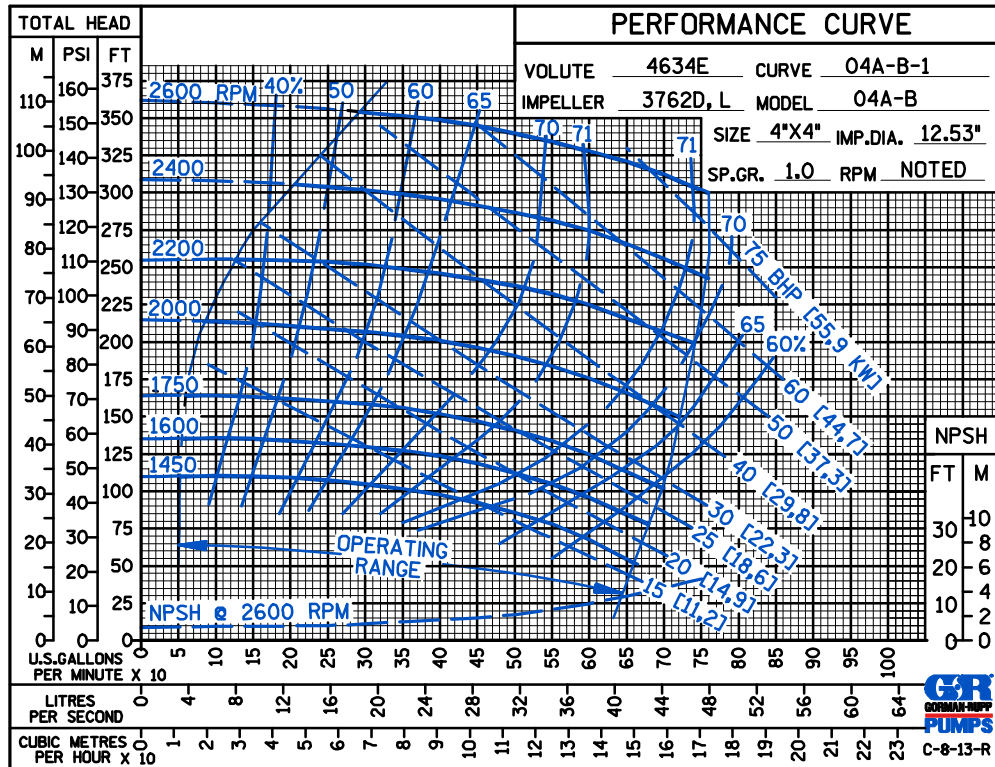
SECTION 30, PAGE 1700

APPROXIMATE
DIMENSIONS and WEIGHTS

NET WEIGHT: 365 LBS. [166 KG.]
SHIPPING WEIGHT: 388 LBS. [176 KG.]
EXPORT CRATE: 12.2 CU. FT. [.34 CU. M.]



**PERFORMANCE
BASED ON
WATER**



THE GORMAN-RUPP COMPANY • MANSFIELD, OHIO

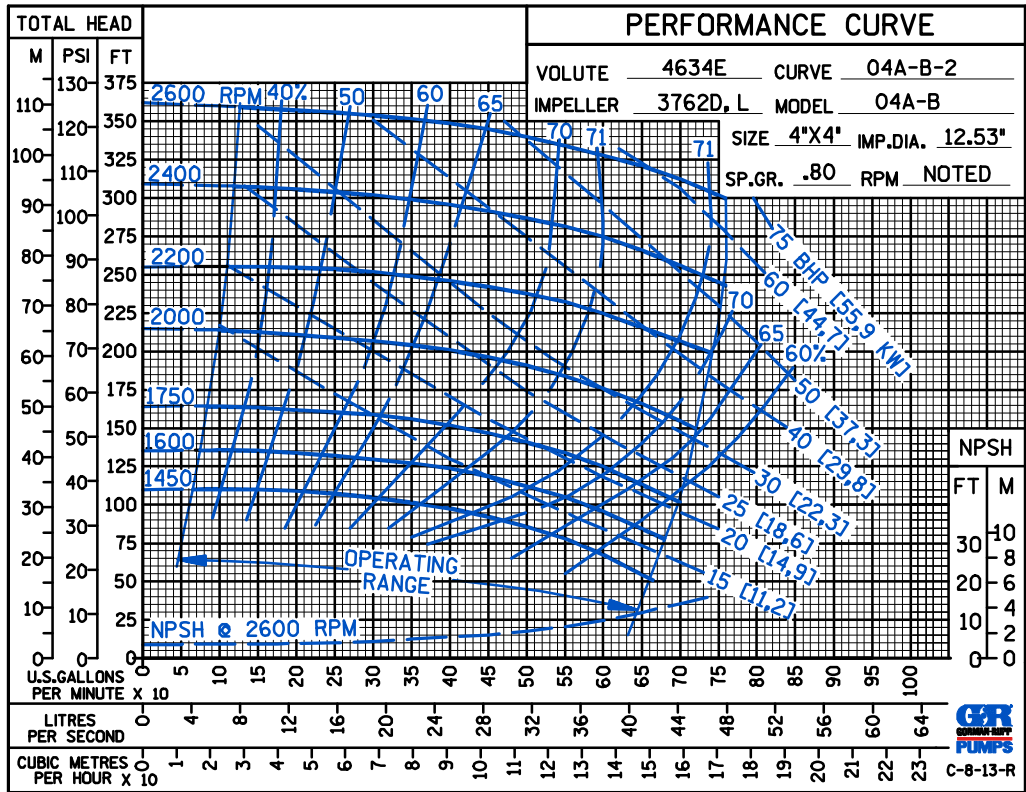
GORMAN-RUPP OF CANADA LIMITED • ST. THOMAS, ONTARIO, CANADA

Specifications Subject to Change Without Notice

Printed in U.S.A.

A B C E

PERFORMANCE
BASED ON
PETROLEUM



THE GORMAN-RUPP COMPANY • MANSFIELD, OHIO

GORMAN-RUPP OF CANADA LIMITED • ST. THOMAS, ONTARIO, CANADA

Specifications Subject to Change Without Notice

Printed in U.S.A.