



# Self Priming Centrifugal Pump

## Model RS5A31-BAR and RS5A32-BAR

### Size 6" x 5"

#### PUMP SPECIFICATIONS

**Size:** 6" x 5" (152 mm x 127 mm) Flanged.

**Casing:** (RS5A31-BAR) Ductile Iron 65-45-12.

(RS5A32-BAR) Cast Steel 70-36.

Maximum Operating Pressure 81 psi (558 kPa).\*

**Enclosed Type, Five Vane Impeller:** Aluminum 356-T6.

Handles 1/2" (12,7 mm) Diameter Spherical Solids.

**Impeller Shaft:** Steel 1045.

**Rotor:** Copper Alloy C93400.

**Bearing Housing:** Ductile Iron 65-45-12.

**Body Cover:** (RS5A31-BAR) Ductile Iron 65-45-12.

(RS5A32-BAR) Cast Steel 70-36.

**Center/Spacer Plate:** (RS5A31-BAR) Ductile Iron 65-45-12.

(RS5A32-BAR) Cast Steel 70-36.

**Suction Spool Flange:** Cast Steel 70-36.

**Radial Bearing:** Open Double Row Ball Type.

**Thrust Bearing:** Open Single Row Ball Type.

**Bearing Lubrication:** SAE 30 Non-Detergent Oil.

**Gaskets:** Buna-N and PTFE.

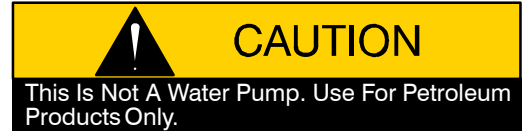
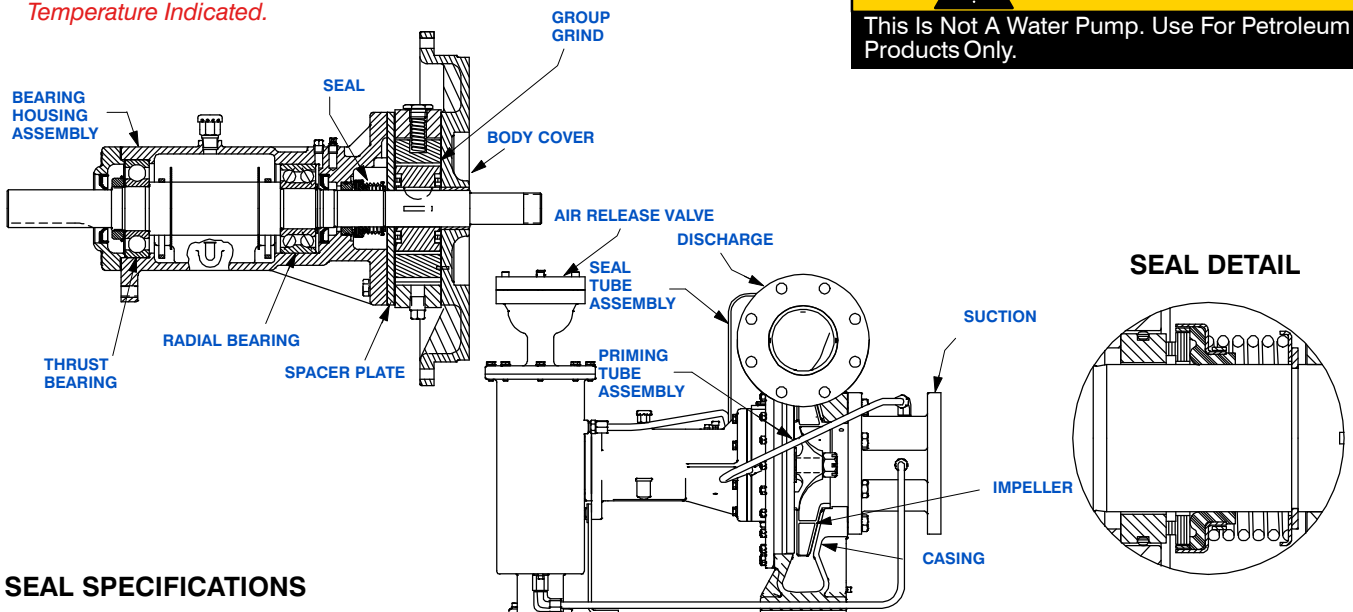
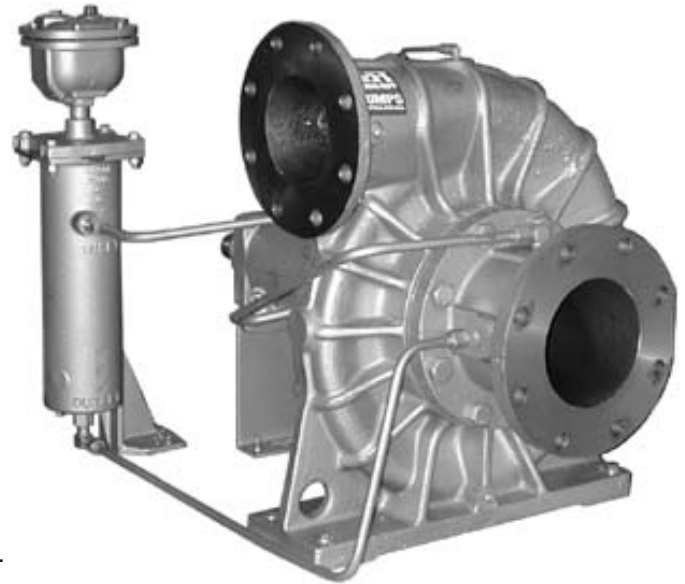
**Priming:** Rotary Vane Type Priming Pump.

**Air Release Valve:** (RS5A31-BAR) Ductile Iron/Stainless Steel.

(RS5A32-BAR) Steel/Stainless Steel.

**Optional Equipment:** Standard 5" Discharge Check Valve (Required for Priming), Stainless Steel 416 Impeller Shaft, PTFE Seal with Fluorocarbon O-Ring, PTFE Seal with Buna-N O-Ring.

\*Consult Factory for Applications Exceeding Maximum Pressure and/or Temperature Indicated.



#### SEAL SPECIFICATIONS

**Seal:** Mechanical; Self-Lubricated. Fluorocarbon Elastomers (DuPont Viton<sup>®</sup> or Equivalent). Carbon Rotating Face; Ni-Resist Stationary Face; Maximum Temperature of Liquid Pumped is 160°F (71°C).\*



## GORMAN-RUPP PUMPS

www.grpumps.com

Specifications Subject to Change Without Notice

Printed in U.S.A.

**Specification Data**

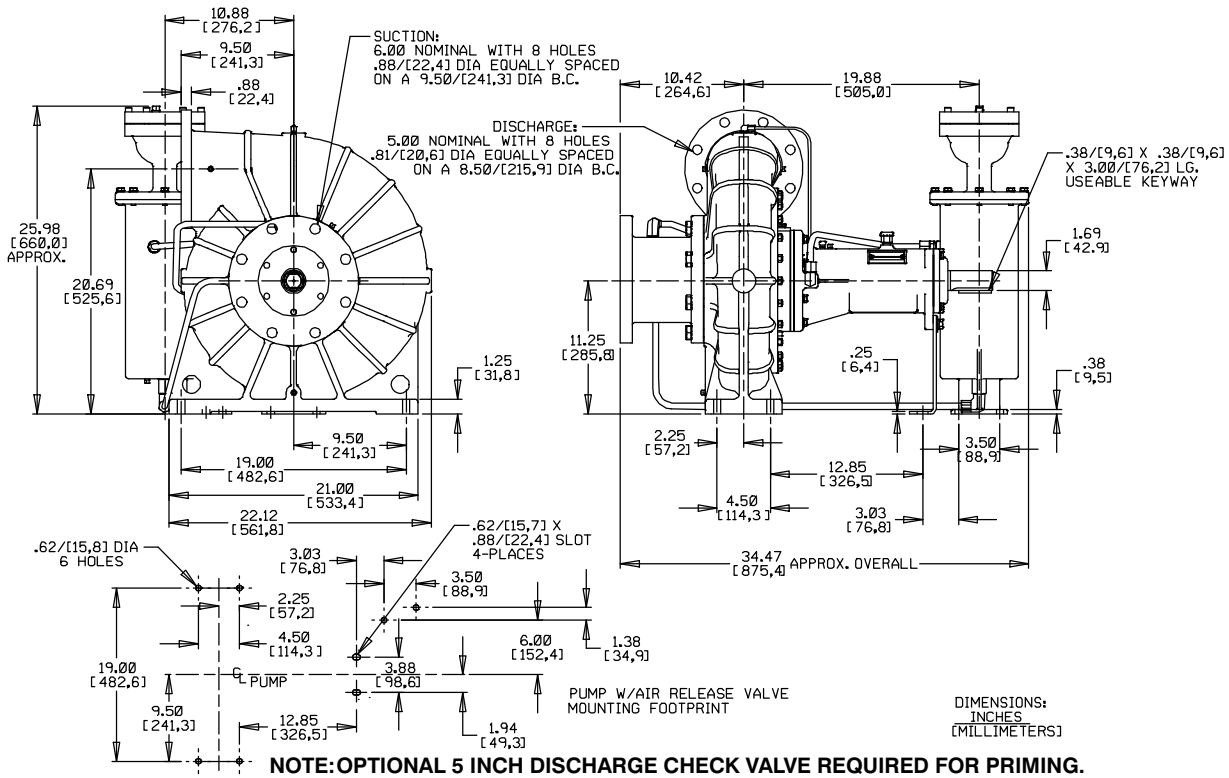
**SECTION 35, PAGE 610**

**OVERALL DIMENSIONS  
and  
APPROXIMATE WEIGHTS**

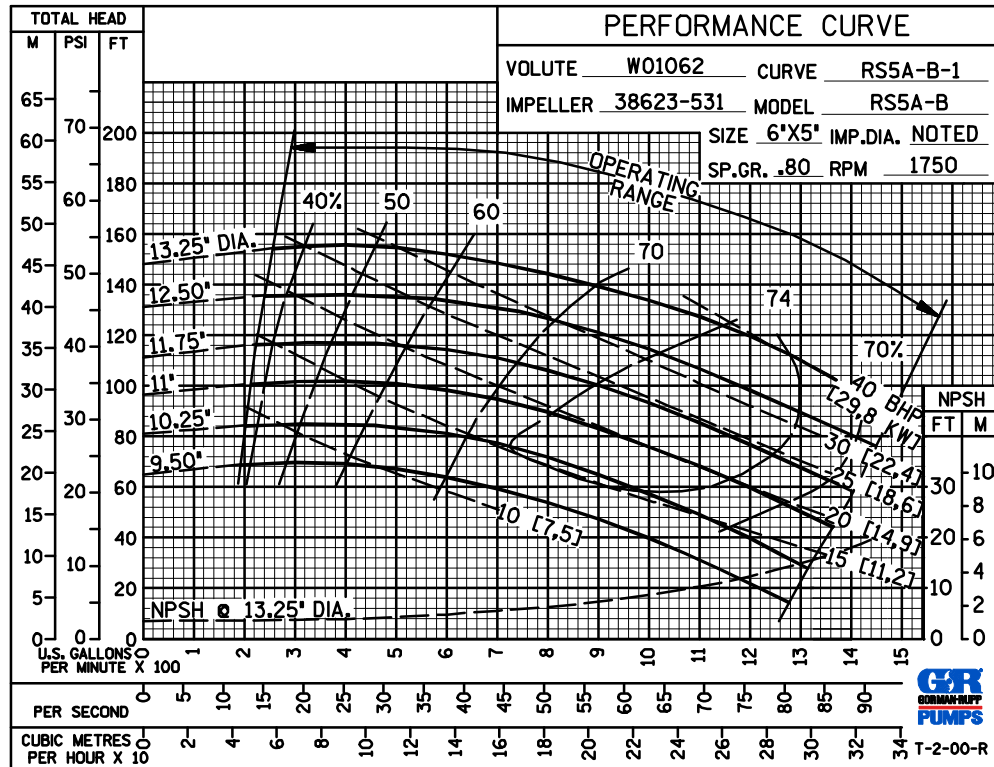
**RS5A31-BAR**

**RS5A32-BAR**

**PUMP NET WEIGHT: 452 LBS. (205,0 KG.) 460 LBS. (208,7 KG.)**  
**SHIPPING NET WEIGHT: 502 LBS. (227,7 KG.) 515 LBS. (233,6 KG.)**  
**EXPORT CRATE SIZE: 22.3 CU. FT. (0,63) CU. M.)**



**PERFORMANCE  
BASED ON  
PETROLEUM  
TRIMMED  
IMPELLER**



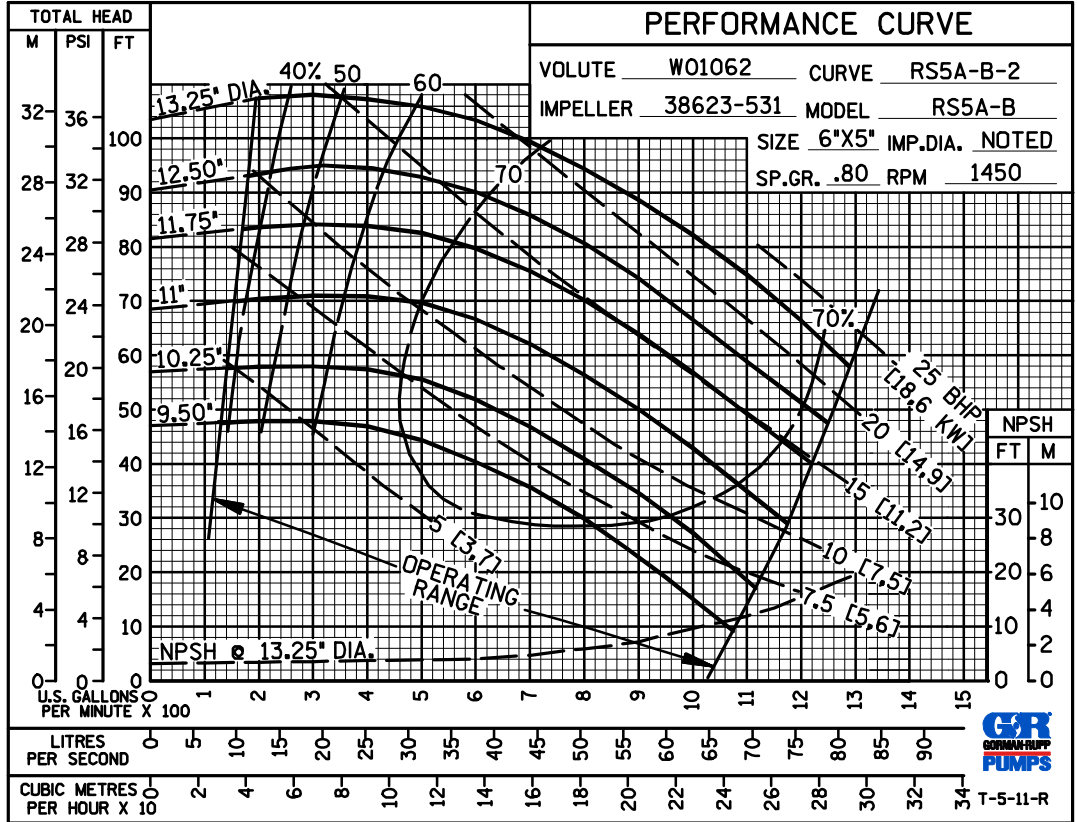
**GORMAN-RUPP PUMPS**

www.grpumps.com

Specifications Subject to Change Without Notice

Printed in U.S.A.

**50 HERTZ  
PERFORMANCE  
BASED ON  
PETROLEUM  
TRIMMED  
IMPELLER**



GORMAN-RUPP PUMPS

www.grpumps.com

Specifications Subject to Change Without Notice

Printed in U.S.A.