

ABCE

Basic Pedestal Self Priming Centrifugal Pump



Models 81 1/2D3-B and 81 1/2D52-B

Size 1 1/2" x 1 1/2"

PUMP SPECIFICATIONS

Size: 1 1/2" x 1 1/2" (38 mm x 38 mm) NPT - Female.

Casing: Gray Iron 30.

Maximum Operating Pressure 47 psi (324 kPa).*

Semi-Open Type, Five Vane Impeller:

(81 1/2D3-B) Copper Alloy C93700.

(81 1/2D52-B) Gray Iron 30.

Handles 9/32" (7,1 mm) Diameter Spherical Solids.

Impeller Shaft: Carbon Steel 1215.

Replaceable Vane Plate: Gray Iron 30.

Intermediate: Gray Iron 30.

Bearing Housing: Gray Iron 30.

Radial and Thrust Bearings: Sealed Single Row Ball.

Bearing Lubrication: Self-Lubricated.

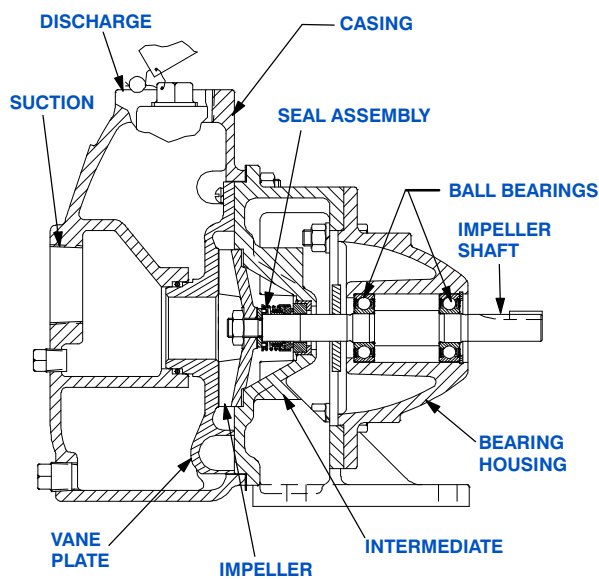
Hardware: Standard Plated Steel.

Gaskets: Vegetable Fiber.

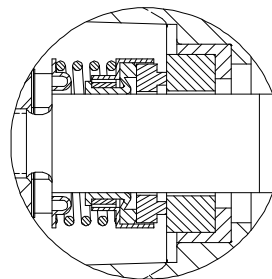
Optional Equipment: Strainer.

Consult Factory for Additional Options.

**Consult Factory for Applications Exceeding
Maximum Pressure and/or Temperature Indicated.*



81 1/2D3-B SHOWN

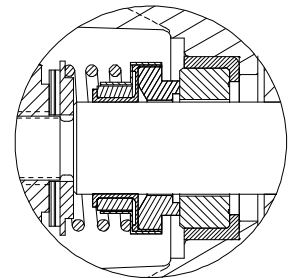


81 1/2D3-B SEAL DETAIL

Type 21, Mechanical, Self Lubricated. Carbon Rotating Face and Ni-Resist Stationary Face. Fluorocarbon Elastomers (DuPont Viton® or Equivalent). Stainless Steel 18-8 Cage and Spring. Maximum Temperature of Liquid Pumped, 160°F (71°C).*

81 1/2D52-B SEAL DETAIL

Type 31, Mechanical, Self-Lubricated. Silicon Carbide Rotating and Stationary Faces. Fluorocarbon Elastomers (DuPont Viton® or Equivalent). Stainless Steel 304 Cage and Spring. Maximum Temperature of Liquid Pumped 160°F (71°C).*



THE GORMAN-RUPP COMPANY • MANSFIELD, OHIO

GORMAN-RUPP OF CANADA LIMITED • ST. THOMAS, ONTARIO, CANADA

www.grpumps.com

Specifications Subject to Change Without Notice

Printed in U.S.A.

Specification Data

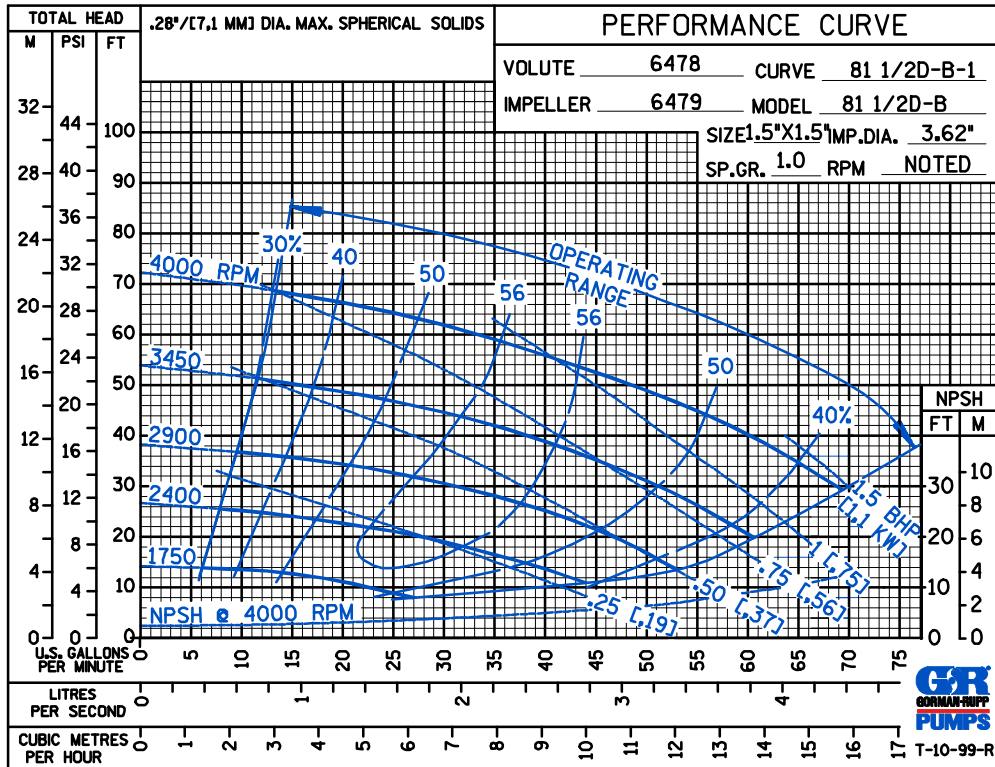
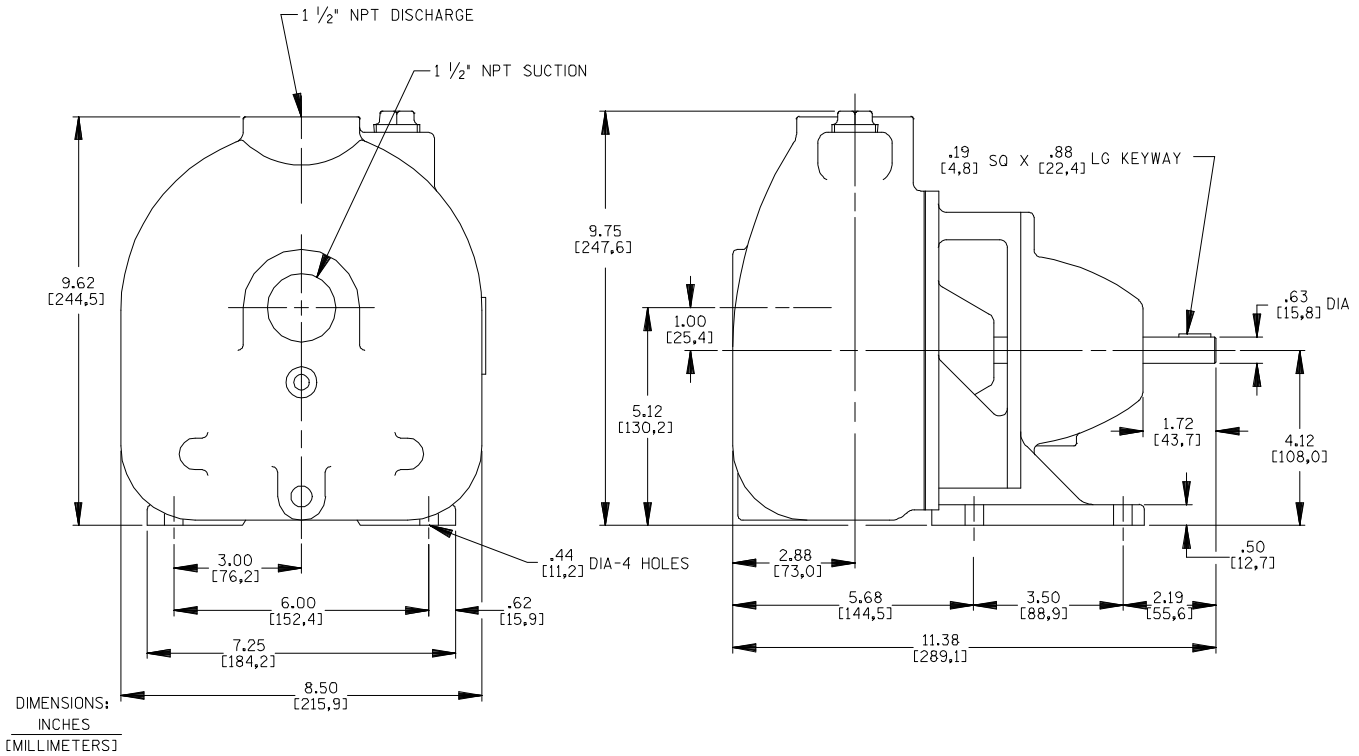
SECTION 50, PAGE 700

APPROXIMATE
DIMENSIONS and WEIGHTS

NET WEIGHT: 36 LBS. (16,3 KG.)

SHIPPING WEIGHT: 46 LBS. (20,9 KG.)

EXPORT CRATE: 2.2 CU. FT. (0,06 CU. M.)



THE GORMAN-RUPP COMPANY • MANSFIELD, OHIO

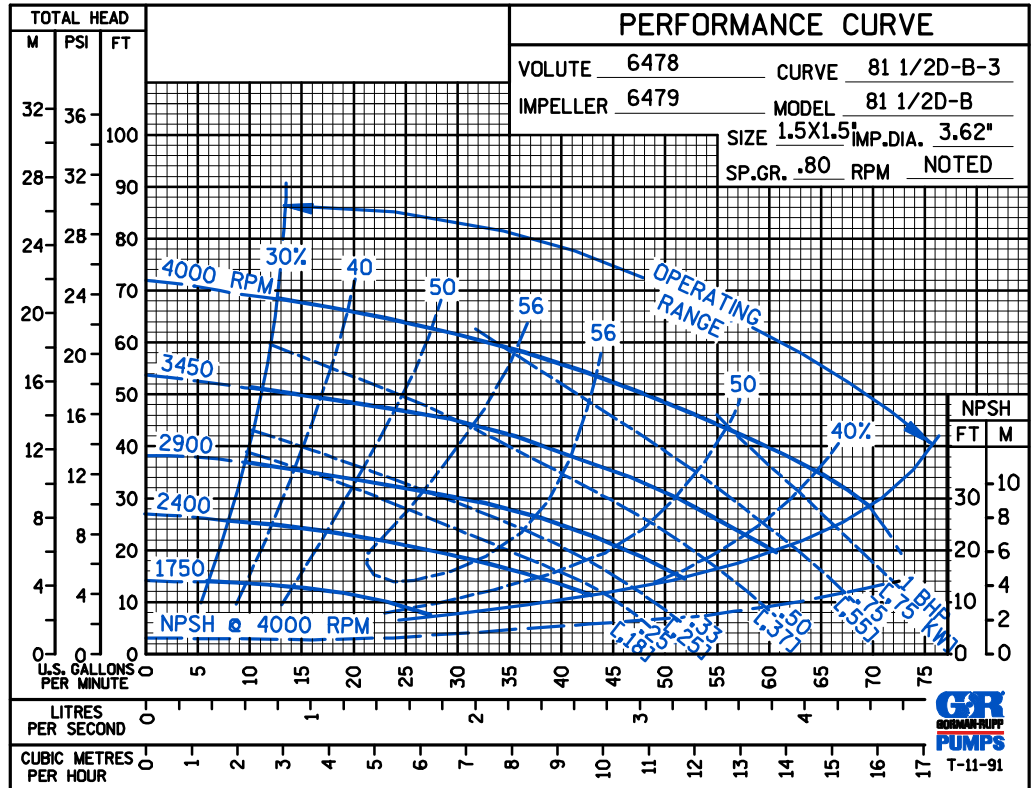
GORMAN-RUPP OF CANADA LIMITED • ST. THOMAS, ONTARIO, CANADA

Specifications Subject to Change Without Notice

Printed in U.S.A.

A B C E

PERFORMANCE
BASED ON
PETROLEUM



THE GORMAN-RUPP COMPANY • MANSFIELD, OHIO

GORMAN-RUPP OF CANADA LIMITED • ST. THOMAS, ONTARIO, CANADA

Specifications Subject to Change Without Notice

Printed in U.S.A.