

ACE

Basic Pedestal

# Self Priming Centrifugal Pump

Model 84B2-B

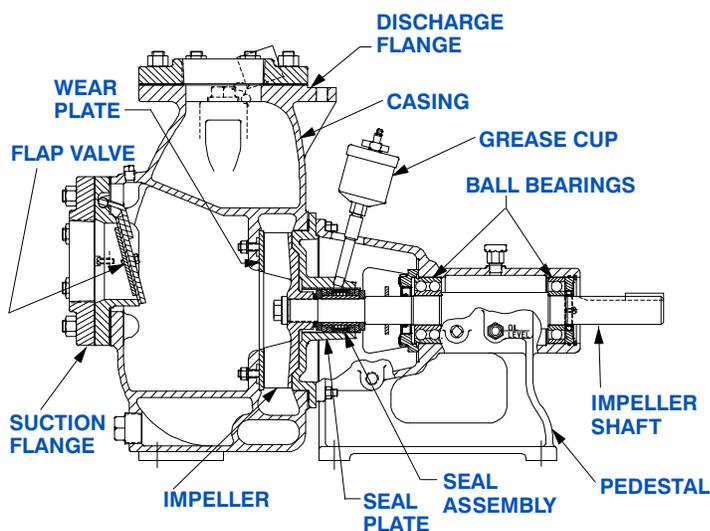
Size 4" x 4"



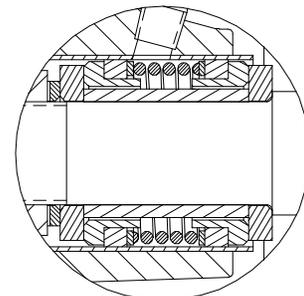
## PUMP SPECIFICATIONS

**Size:** 4" x 4" (102 mm x 102 mm) NPT - Female.**Casing:** Gray Iron 30.**Maximum Operating Pressure** 74 psi (510 kPa).\***Semi-Open Type, Four Vane Impeller:** Gray Iron 30.

Handles 1 1/4" (31,8 mm) Diameter Spherical Solids.

**Impeller Shaft:** Carbon Steel 1045.**Replaceable Wear Plate:** Carbon Steel 1026.**Pedestal:** Gray Iron 30.**Seal Plate:** Gray Iron 30.**Seal Liner:** Copper Alloy C26000.**Flap Valve:** Neoprene and Steel.**Radial Bearing:** Open Single Row Ball.**Thrust Bearing:** Open Double Row Ball.**Bearing Lubrication:** SAE 30 Non-Detergent Oil.**Flanges:** Gray Iron 30.**Gaskets:** Vegetable Fiber.**O-Rings:** Buna-N.**Hardware:** Standard Plated Steel and Stainless Steel.**Oil Level Sight Gauge.****Strainer.****Optional Equipment:** 120/240 Volt Casing Heater. Gray Iron 30 Suction and Discharge Spool Flange.*\*Consult Factory for Applications Exceeding Maximum Pressure and/or Temperature Indicated.*

**SEAL DETAIL** Double, Grease Lubricated with Spring-Loaded Grease Cup. Sintered Bronze Stationary Seal Seats. Steel Rotating Faces. Neoprene Packing Rings. Maximum Temperature of Liquid Pumped, 110°F (43°C). Maximum Suction Pressure 10 psi (69 kPa).\*



THE GORMAN-RUPP COMPANY • MANSFIELD, OHIO

GORMAN-RUPP OF CANADA LIMITED • ST. THOMAS, ONTARIO, CANADA

www.grpumps.com

Specifications Subject to Change Without Notice

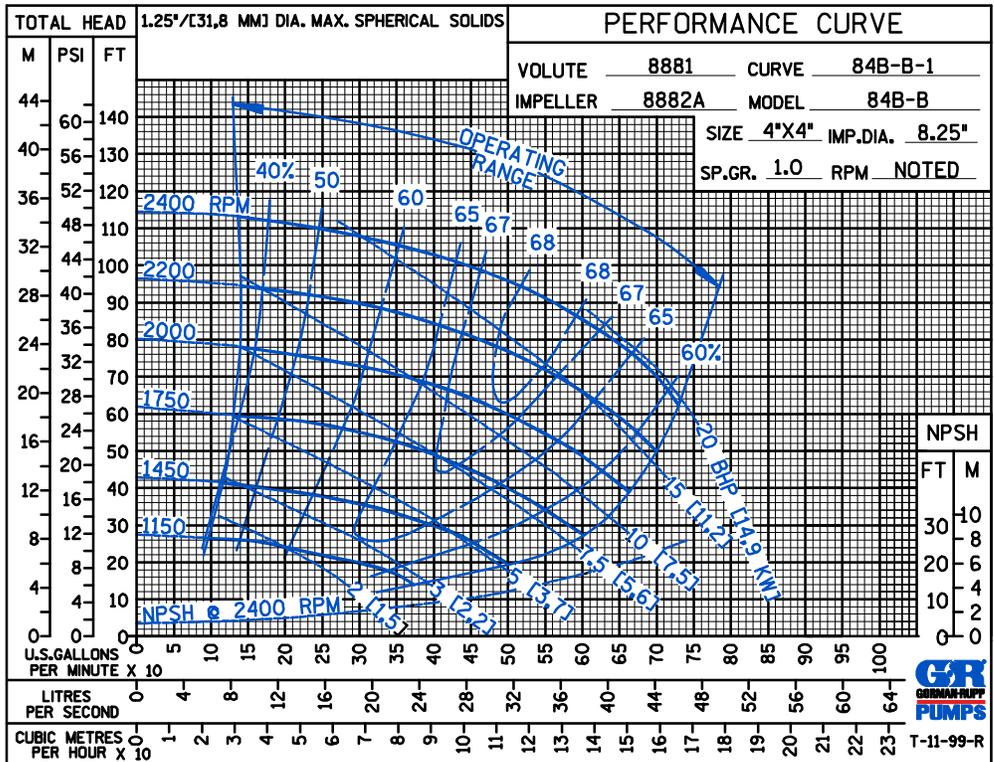
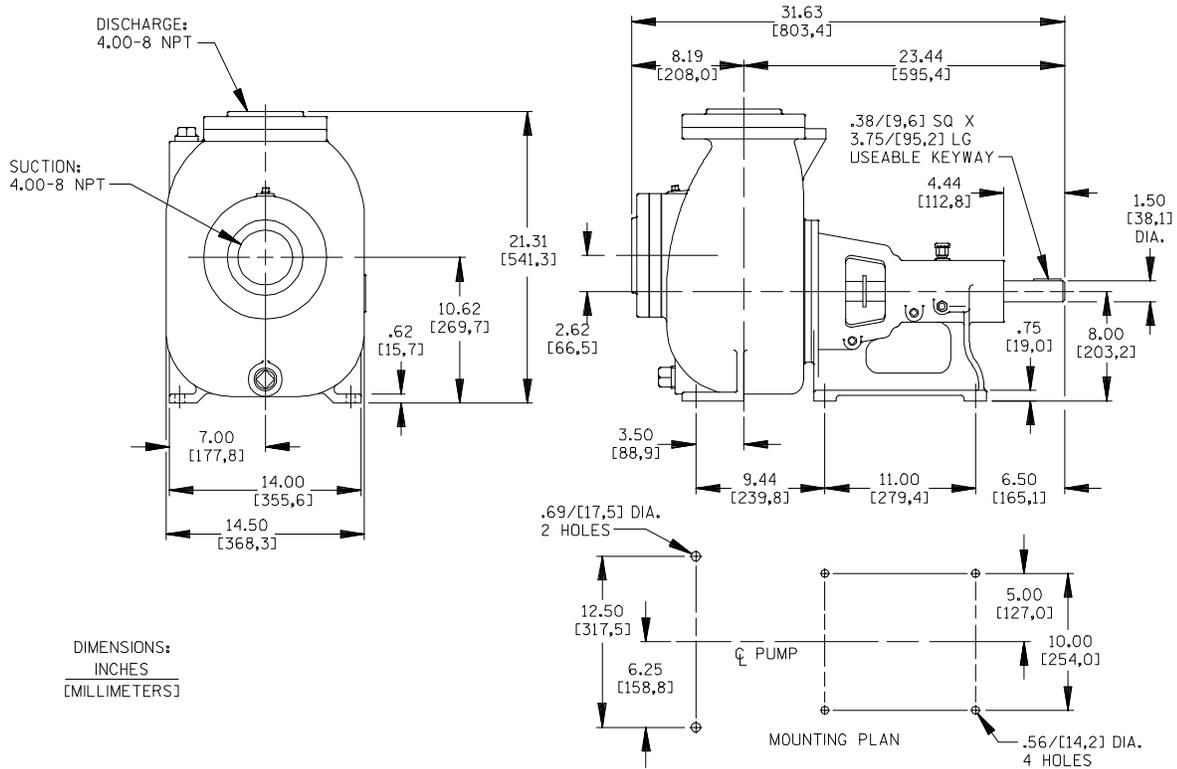
Printed in U.S.A.

**Specification Data**

SECTION 50, PAGE 1700

APPROXIMATE  
DIMENSIONS and WEIGHTS

**NET WEIGHT:** 325 LBS. (147 KG.)  
**SHIPPING WEIGHT:** 341 LBS. (155 KG.)  
**EXPORT CRATE:** 18 CU. FT. (0,5 CU. M.)



THE GORMAN-RUPP COMPANY • MANSFIELD, OHIO

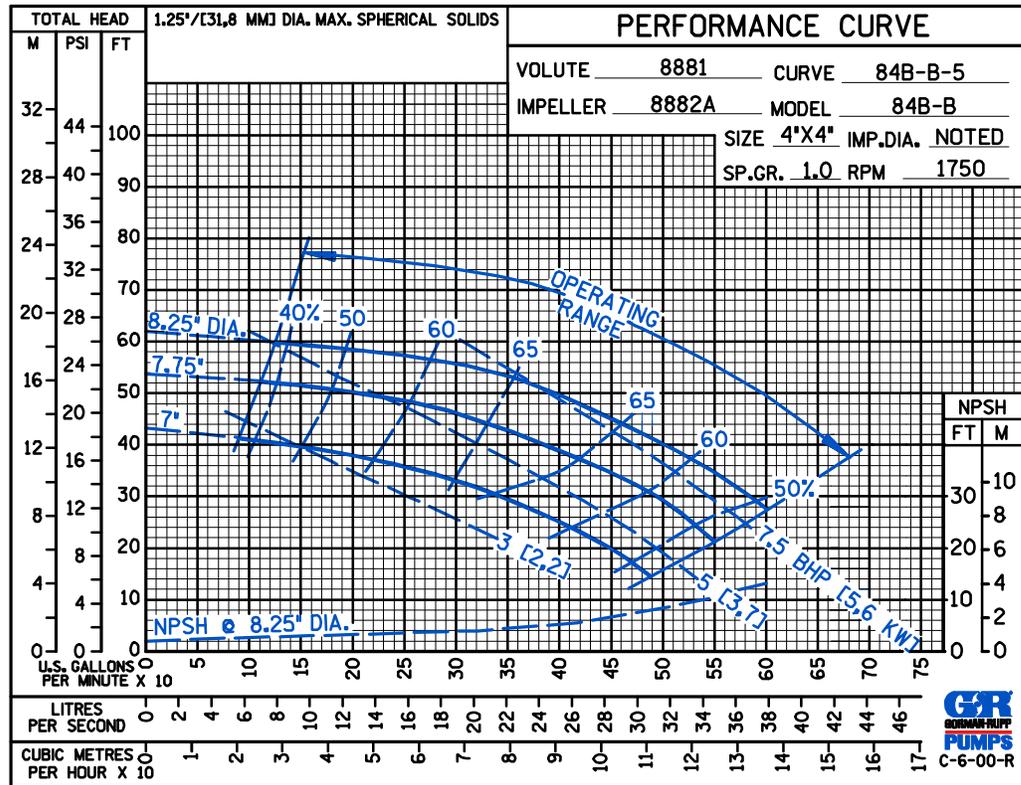
GORMAN-RUPP OF CANADA LIMITED • ST. THOMAS, ONTARIO, CANADA

Specifications Subject to Change Without Notice

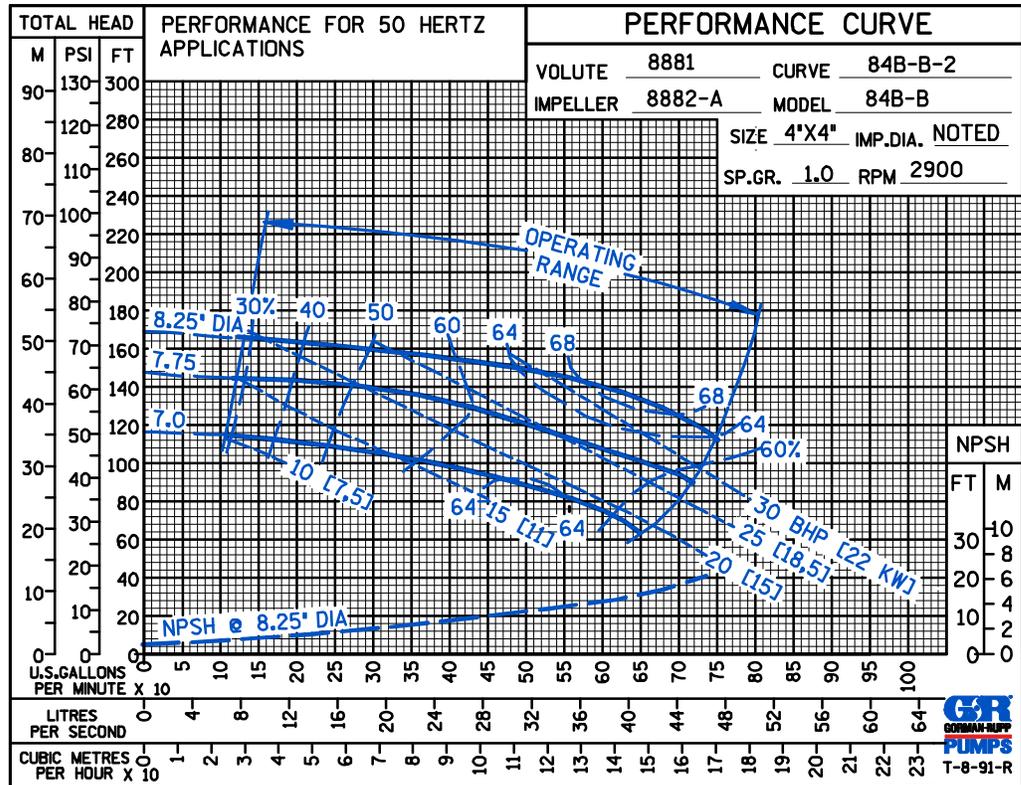
Printed in U.S.A.

ACE

TRIMMED  
IMPELLER



50 HERTZ  
PERFORMANCE  
BASED ON  
WATER



THE GORMAN-RUPP COMPANY • MANSFIELD, OHIO

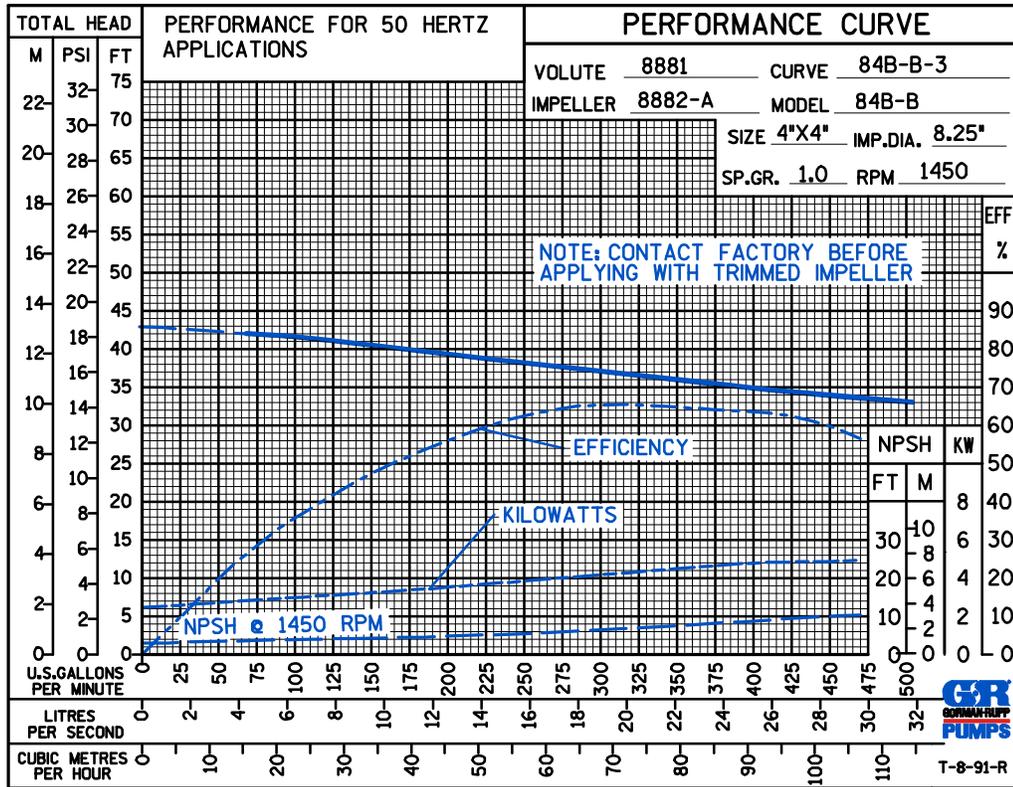
GORMAN-RUPP OF CANADA LIMITED • ST. THOMAS, ONTARIO, CANADA

Specifications Subject to Change Without Notice

Printed in U.S.A.

ACE

50 HERTZ  
PERFORMANCE  
BASED ON  
WATER



THE GORMAN-RUPP COMPANY • MANSFIELD, OHIO

GORMAN-RUPP OF CANADA LIMITED • ST. THOMAS, ONTARIO, CANADA

Specifications Subject to Change Without Notice

Printed in U.S.A.