

CDS

Self Priming Centrifugal Pump

Super
U SERIES
VARIOUS PATENTS APPLY

Model U3A60S-B

Size 3" x 3"



PUMP SPECIFICATIONS

Size: 3" (76 mm) Flange Suction x 3" (76 mm) NPT Discharge.

Casing: Gray Iron 30.

Maximum Operating Pressure 139 psi (958 kPa).*

Semi-Open Type, Six Vane Impeller: Ductile Iron 60-40-18.

Handles 13/16" (20,6 mm) Diameter Spherical Solids.

Impeller Shaft: Alloy Steel 4150.

Replaceable Wear Plate: Gray Iron 30.

Removable Adjustable Cover Plate: Gray Iron 30; 60 lbs. (27 kg).

Suction Extension Pipe: Schedule 40 Steel w/Gray Iron Flange.

Bearing Housing: Gray Iron 30.

Seal Plate: Gray Iron 30.

Shaft Sleeve: Alloy Steel 4130.

Radial Bearing: Open Single Row Ball.

Thrust Bearing: Open Double Row Ball.

Bearing and Seal Cavity Lubrication: SAE 30 Non-Detergent Oil.

Flanges: Gray Iron 30.

Gaskets: Cork, Rubber, Vegetable Fiber and PTFE.

O-Rings: Buna-N and Fluorocarbon (DuPont Viton® or Equivalent).

Hardware: Standard Plated Steel.

Brass Pressure Relief Valve.

Victaulic® Suction Coupling.

Bearing and Seal Cavity Oil Level Sight Gauges.

Optional Equipment: Stainless Steel 316 Pressure Relief Valve. G-R Hard Iron and Stainless Steel Impeller, Seal Plate, and Wear Plate. Automatic Air Release Valve. 120V/240V Casing Heater. High Pump Temperature Shutdown Kit. Permalon, Kalrez or Fluorocarbon Metal Bellows Seals. Stainless Steel Cartridge Seal.

Discharge Spool Flange: Gray Iron 30.

3" ASA (**Specify Model U3A60S-B /F**).

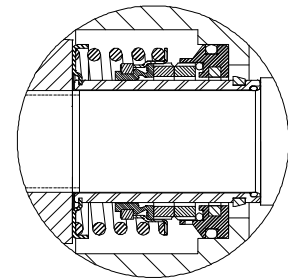
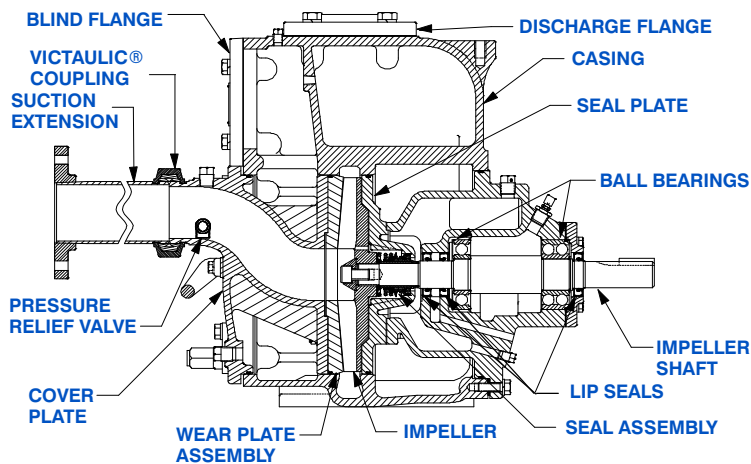
80 mm DIN 2527 (PN 16). Gray Iron 30 Suction and Discharge Spool Flanges.

**Consult Factory for Applications Exceeding Maximum Pressure and/or Temperature Indicated.*

Victaulic is a Registered Trademark of Victaulic Company of America.



Shown w/Optional
Discharge Spool Flange



SEAL DETAIL

Cartridge Type, Mechanical, Oil-Lubricated, Double Floating, Self-Aligning. Silicon Carbide Rotating and Stationary Faces. Stainless Steel 316 Stationary Seat. Fluorocarbon Elastomers (DuPont Viton® or Equivalent). Stainless Steel 18-8 Cage and Spring. Maximum Temperature of Liquid Pumped, 160°F (71°C).*



THE GORMAN-RUPP COMPANY • MANSFIELD, OHIO

GORMAN-RUPP OF CANADA LIMITED • ST. THOMAS, ONTARIO, CANADA

www.grpumps.com

Specifications Subject to Change Without Notice

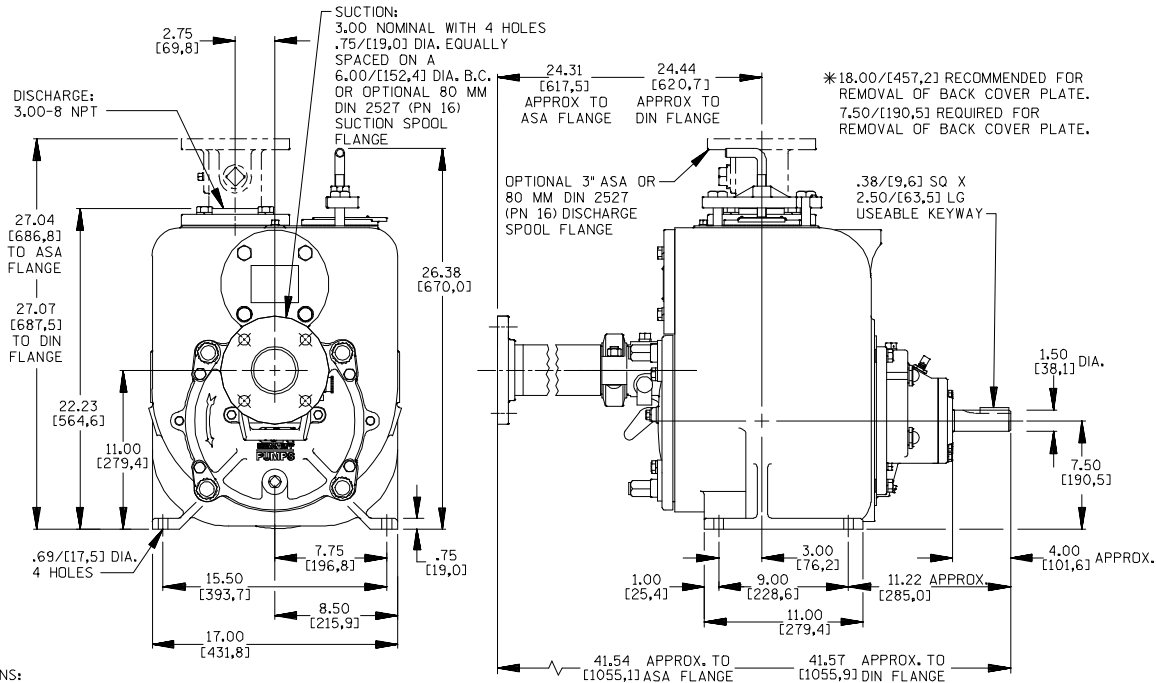
Printed in U.S.A.

Specification Data

SECTION 50, PAGE 2700

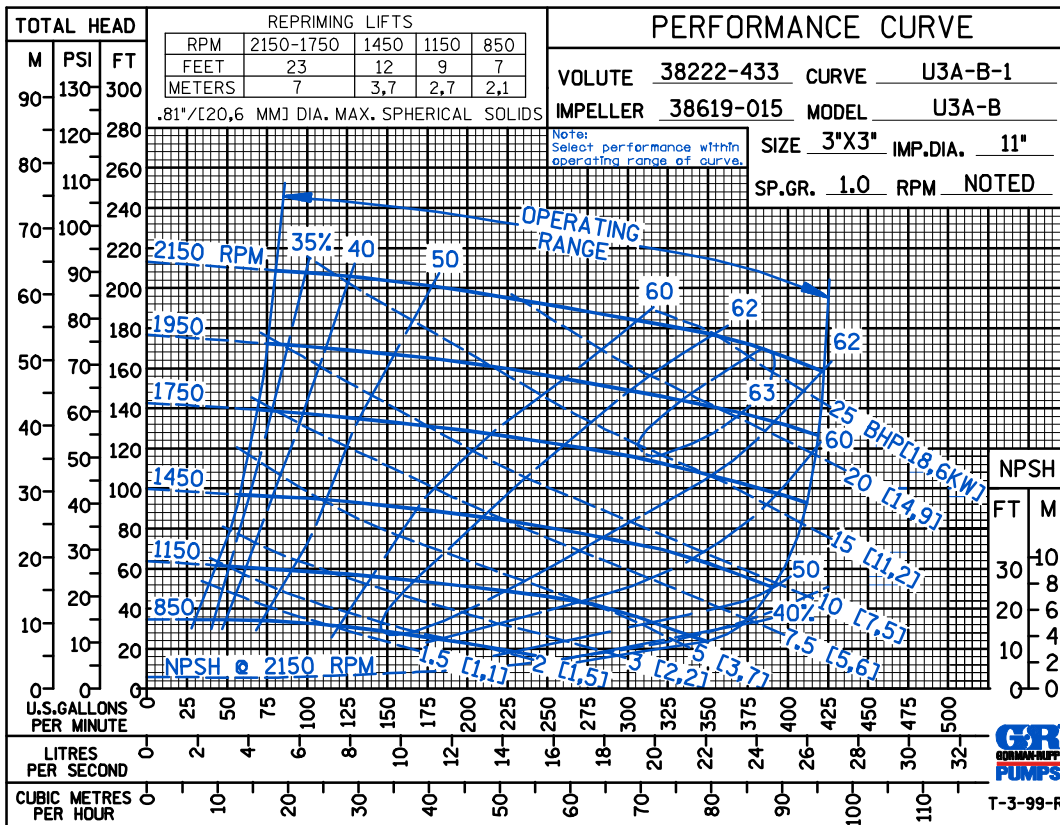
APPROXIMATE
DIMENSIONS and WEIGHTS

NET WEIGHT: 511 LBS. (231 KG.)
SHIPPING WEIGHT: 531 LBS. (241 KG.)
EXPORT CRATE: 20 CU. FT. (0,59 CU. M.)



DIMENSIONS:
INCHES
[MILLIMETERS]

NOTE: OPTIONAL ASA OR DIN STANDARD SPOOL FLANGES AVAILABLE



THE GORMAN-RUPP COMPANY • MANSFIELD, OHIO

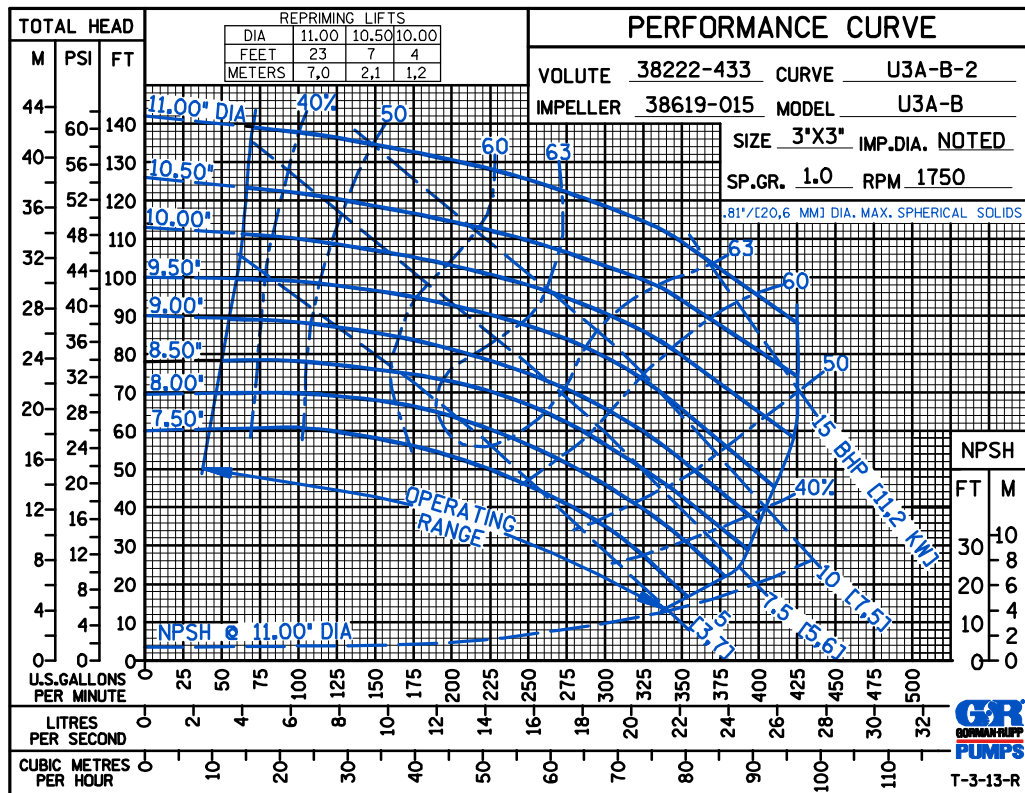
GORMAN-RUPP OF CANADA LIMITED • ST. THOMAS, ONTARIO, CANADA

Specifications Subject to Change Without Notice

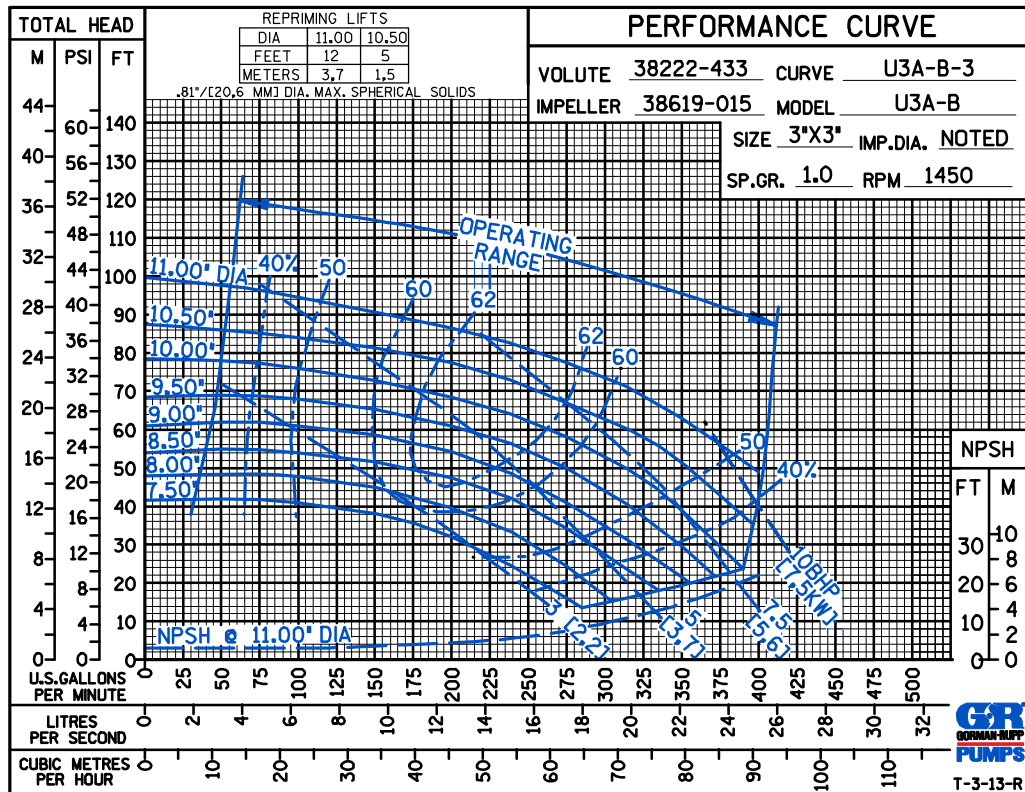
Printed in U.S.A.

CDS

PERFORMANCE
BASED ON
WATER



50 HERTZ
PERFORMANCE
BASED ON
WATER



THE GORMAN-RUPP COMPANY • MANSFIELD, OHIO

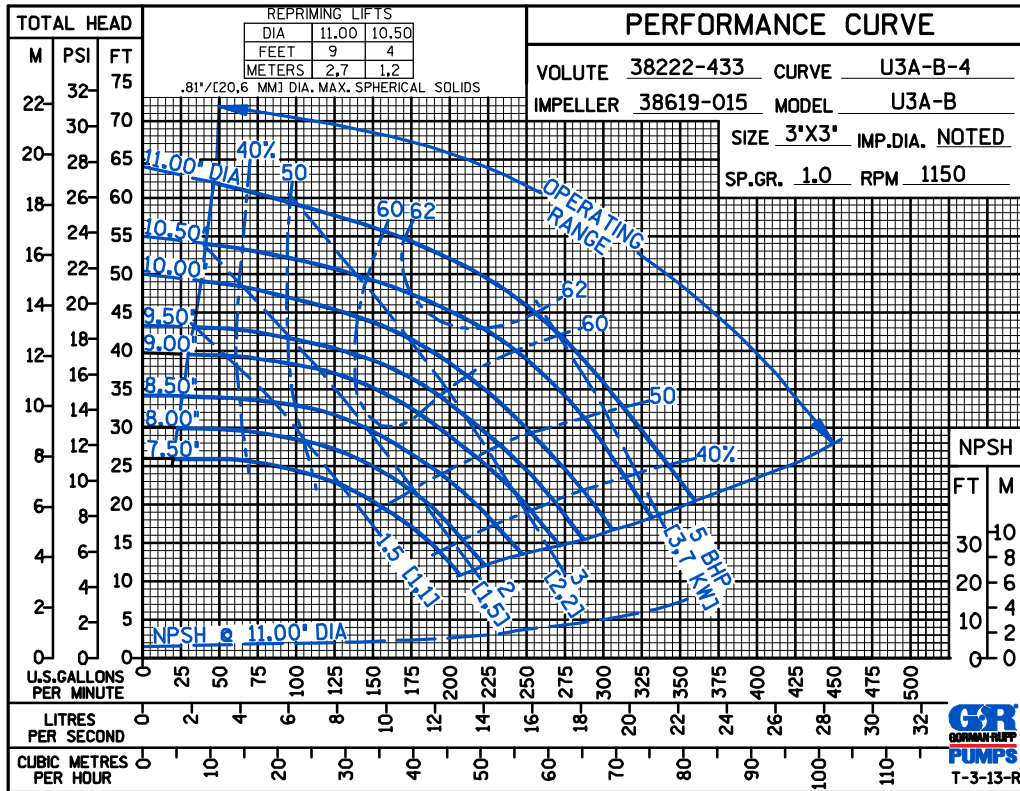
GORMAN-RUPP OF CANADA LIMITED • ST. THOMAS, ONTARIO, CANADA

Specifications Subject to Change Without Notice

Printed in U.S.A.

CDS

PERFORMANCE
BASED ON
WATER



THE GORMAN-RUPP COMPANY • MANSFIELD, OHIO

GORMAN-RUPP OF CANADA LIMITED • ST. THOMAS, ONTARIO, CANADA

Specifications Subject to Change Without Notice

Printed in U.S.A.