

Stainless Steel Basic Pedestal

Self Priming Centrifugal Pump



Model 13A9-B and 13A22-B

Size 3" x 3"

PUMP SPECIFICATIONS

Size: 3" x 3" (76 mm x 76 mm) NPT - Female.

Casing: Stainless Steel 316.

Maximum Operating Pressure 62 psi (427 kPa).*

Semi-Open Type, Two Vane Impeller: Stainless Steel 316.

Handles 1 1/2" (38,1 mm) Diameter Spherical Solids.

Impeller Shaft: Stainless Steel 17-4 PH.

Replaceable Wear Plate: Stainless Steel 316.

Removable Cover Plate: Stainless Steel 316; 16 lbs. (7 kg).

Pedestal: Gray Iron 30.

Seal Plate: Stainless Steel 316.

Flap Valve: Fluorocarbon (DuPont Viton® or Equivalent),
Stainless Steel 316 and Alloy 20.

Shaft Sleeve: Stainless Steel 17-4 PH.

Radial and Thrust Bearings: Open Single Row Ball.

Bearing Lubrication: SAE 30 Non-Detergent Oil.

Flanges: Stainless Steel 316.

Gaskets: Fluorocarbon (DuPont Viton® or Equivalent).

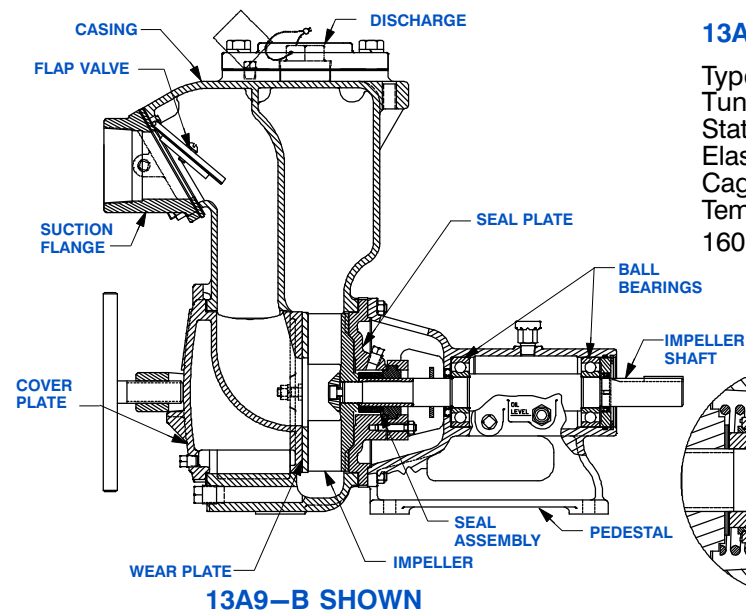
Internal Wetted Hardware: Stainless Steel 316.

External Hardware: Stainless Steel 316 and Standard Plated
Steel.

Optional Equipment: Casing Heater 120 / 240 Volt.
High Temp Shut Down Kit.



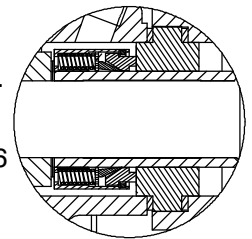
*Consult Factory for Applications Exceeding Maximum
Pressure and/or Temperature Indicated.



13A9-B SHOWN

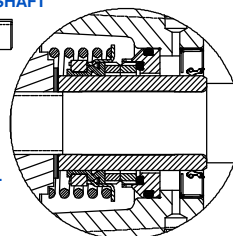
13A9-B SEAL DETAIL

Type 9, Mechanical, Self-Lubricated. Tungsten Carbide Rotating and Stationary Faces. PTFE Elastomers. Stainless Steel 316 Cage and Spring. Maximum Temperature of Liquid Pumped, 160°F (71°C).*



13A22-B SEAL DETAIL

Mechanical, Oil-Lubricated, Double Floating, Self-Aligning. Tungsten Titanium Carbide Rotating and Stationary Faces. Stainless Steel 316 Stationary Seat. Fluorocarbon Elastomers (DuPont Viton® or Equivalent). Stainless Steel 18-8 Cage and Spring. Maximum Temperature of Liquid Pumped, 160°F (71°C).*



GORMAN-RUPP PUMPS

www.grpumps.com

Specifications Subject to Change Without Notice

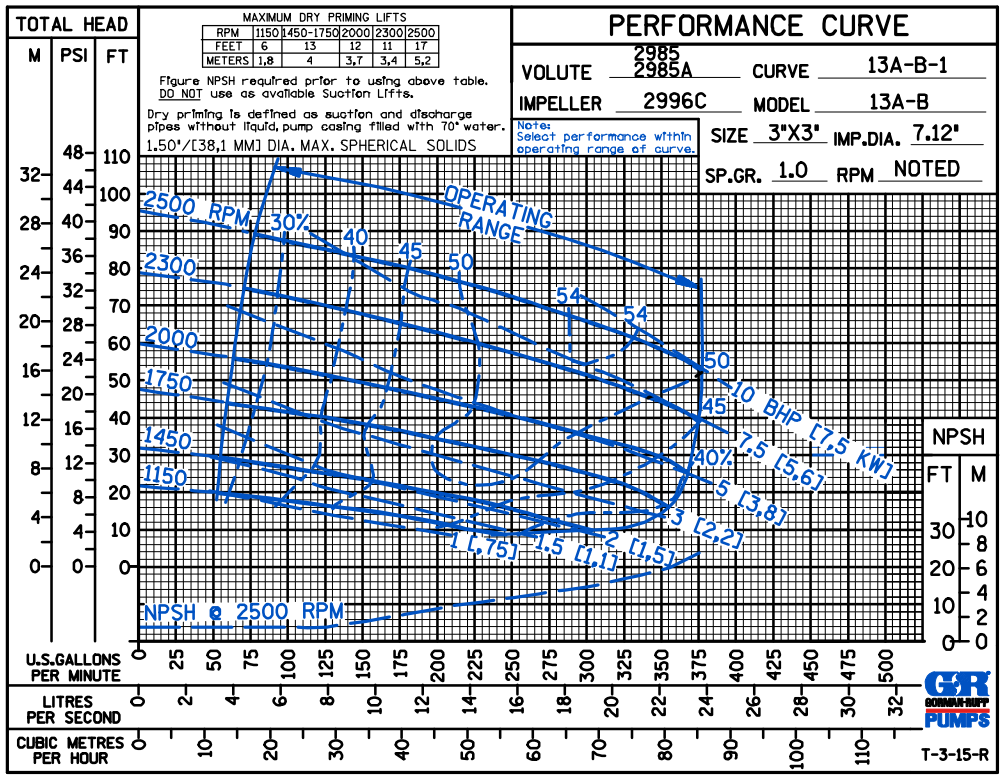
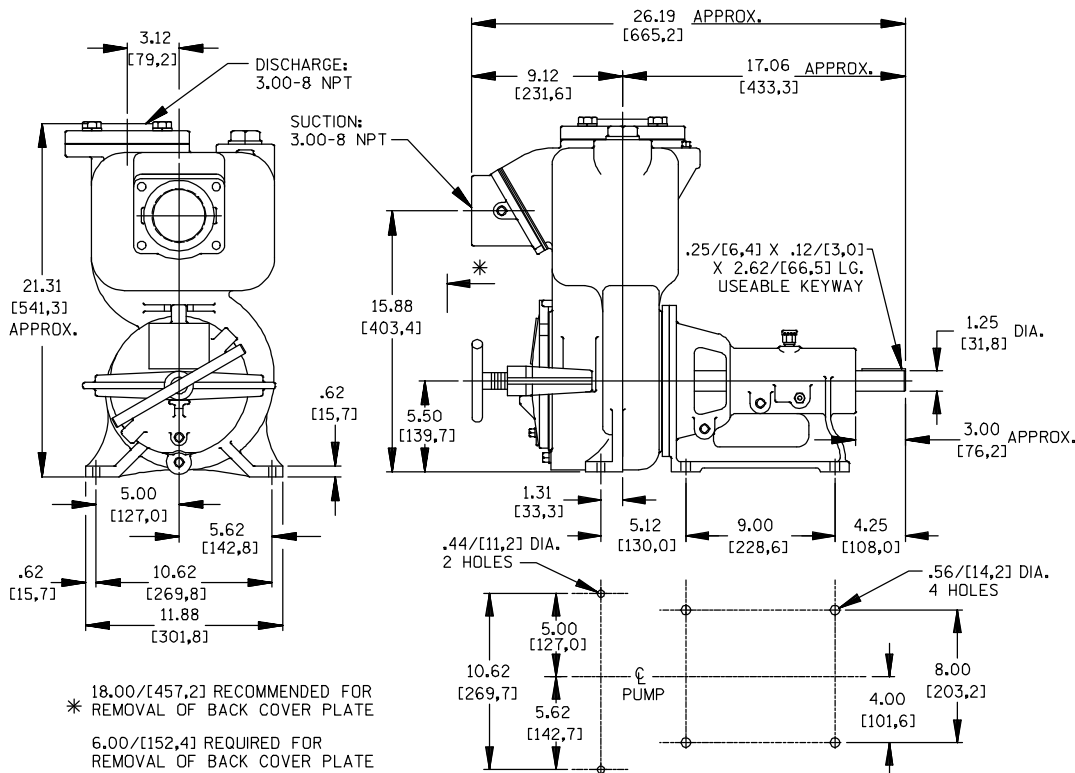
Printed in U.S.A.

Specification Data

SECTION 55, PAGE 404

APPROXIMATE
DIMENSIONS and WEIGHTS

NET WEIGHT: 197 LBS. (89 KG.)
SHIPPING WEIGHT: 204 LBS. (93 KG.)
EXPORT CRATE SIZE: 8.0 CU. FT. (0,23 CU. M.)



GORMAN-RUPP PUMPS

www.grpumps.com

Specifications Subject to Change Without Notice

Printed in U.S.A.