

# Self Priming Centrifugal Pump



## Models 16A2-B and 16A20-B

### Size 6" x 6"

#### PUMP SPECIFICATIONS

**Size:** 6" x 6" (152 mm x 152 mm) NPT - Female.

**Casing:** Gray Iron 30.

Maximum Operating Pressure 81 psi (558 kPa).\*

**Semi-Open, Two Vane Impeller:** Ductile Iron 60-40-18.  
Handles 2 1/2" (63,5 mm) Diameter Spherical Solids.

**Impeller Shaft:** Alloy Steel 4150.

**Replaceable Wear Plate:** Carbon Steel 1015.

**Removable Cover Plate:** Gray Iron 30; 60 lbs. (27 kg).

**Pedestal:** Gray Iron 30.

**Seal Plate:** Gray Iron 30.

**Flap Valve:** Buna-N<sup>W</sup>/Nylon Reinforcement and Steel.

**Seal Liner: (16A2-B)** Copper Alloy C93700.

**Shaft Sleeve: (16A20-B)** Alloy Steel 4130.

**Radial Bearing:** Open Single Row Ball.

**Thrust Bearing:** Open Double Row Ball.

**Bearing Lubrication:** SAE 30 Non-Detergent Oil.

**Flanges:** Gray Iron 30.

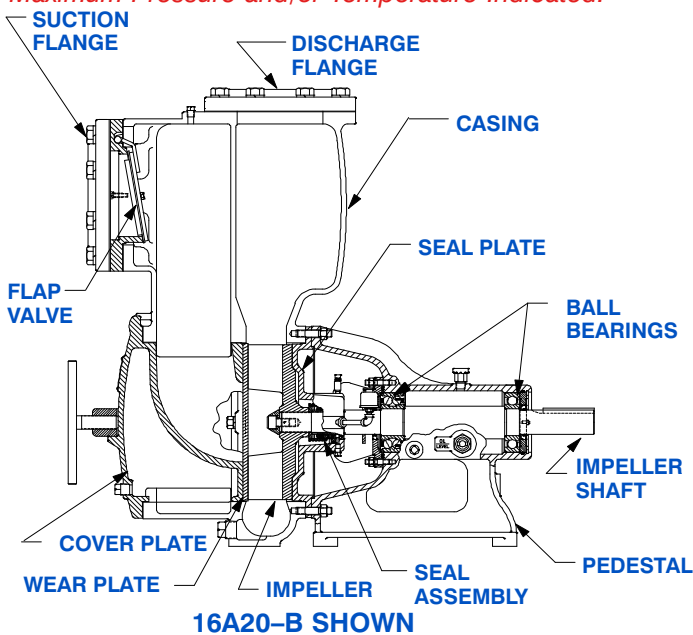
**Gaskets:** Vegetable Fiber and PTFE.

**Hardware:** Standard Plated Steel.

**Strainer.**

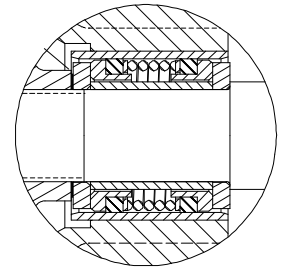
**Optional Equipment:** Gray Iron 30 Suction and Discharge Spool Flanges. 120 / 240 Volt Casing Heater. High Temp Shut Down Kit.

*\*Consult Factory for Applications Exceeding Maximum Pressure and/or Temperature Indicated.*



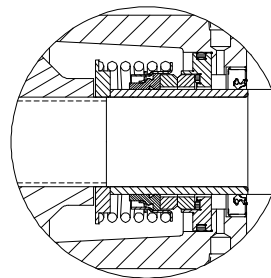
#### 16A2-B SEAL DETAIL

Double, Grease-Lubricated with Spring Loaded Grease Cup. Sintered Bronze Stationary Seal Seats. Steel Rotating Faces. Neoprene Packing Rings. Maximum Temperature of Liquid Pumped, 110°F (43°C). Maximum Suction Pressure 10 psi (69 kPa)\*.



#### 16A20-B SEAL DETAIL

Type 2, Mechanical, Oil-Lubricated, Double Floating, Self-Aligning. Tungsten Titanium Rotating and Stationary Faces Carbide. Stainless Steel 316 Stationary Seat. Stainless Steel 18-8 Cage and Spring. Fluorocarbon Elastomers (DuPont Viton<sup>®</sup> or Equivalent). Maximum Temperature of Liquid Pumped, 160°F (71°C)\*.



## GORMAN-RUPP PUMPS

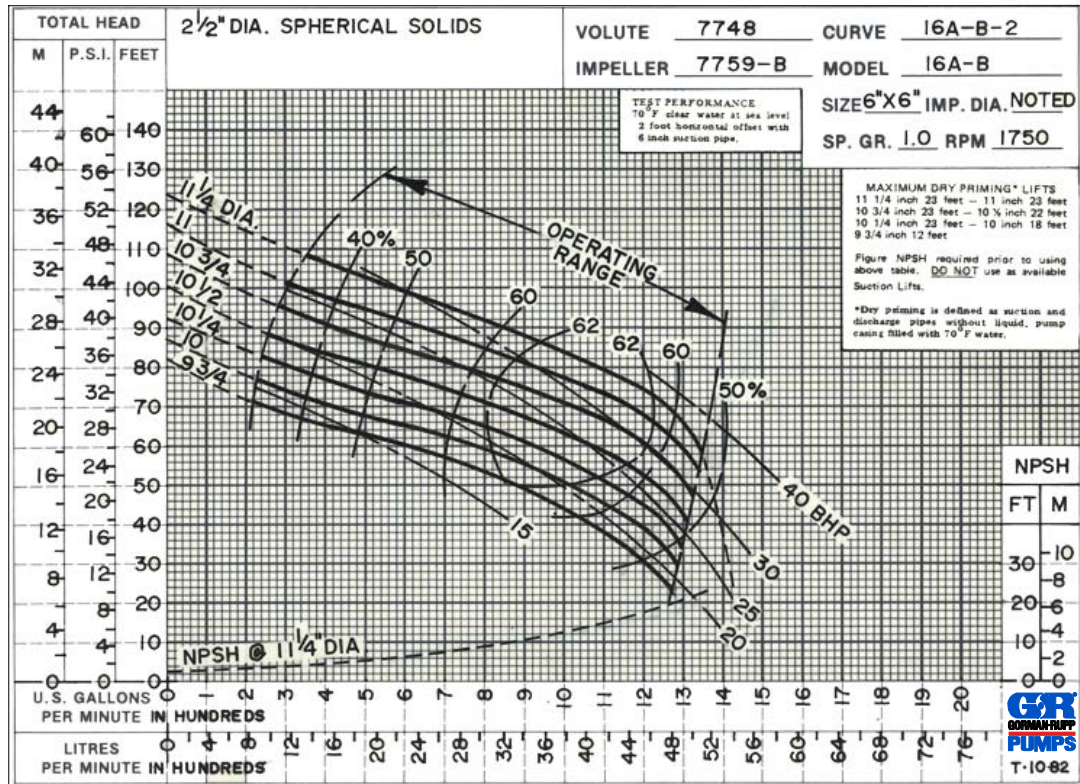
www.grpumps.com

Specifications Subject to Change Without Notice

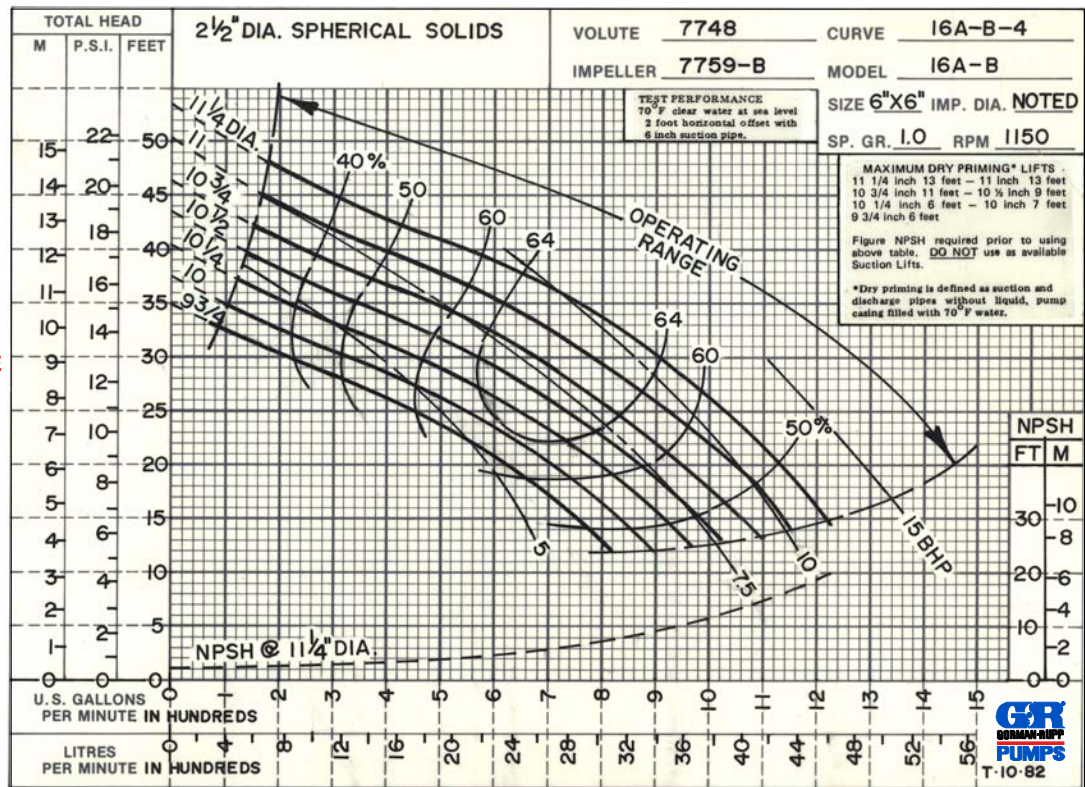
Printed in U.S.A.



TRIMMED  
IMPELLER



60 HERTZ  
PERFORMANCE  
BASED ON  
WATER

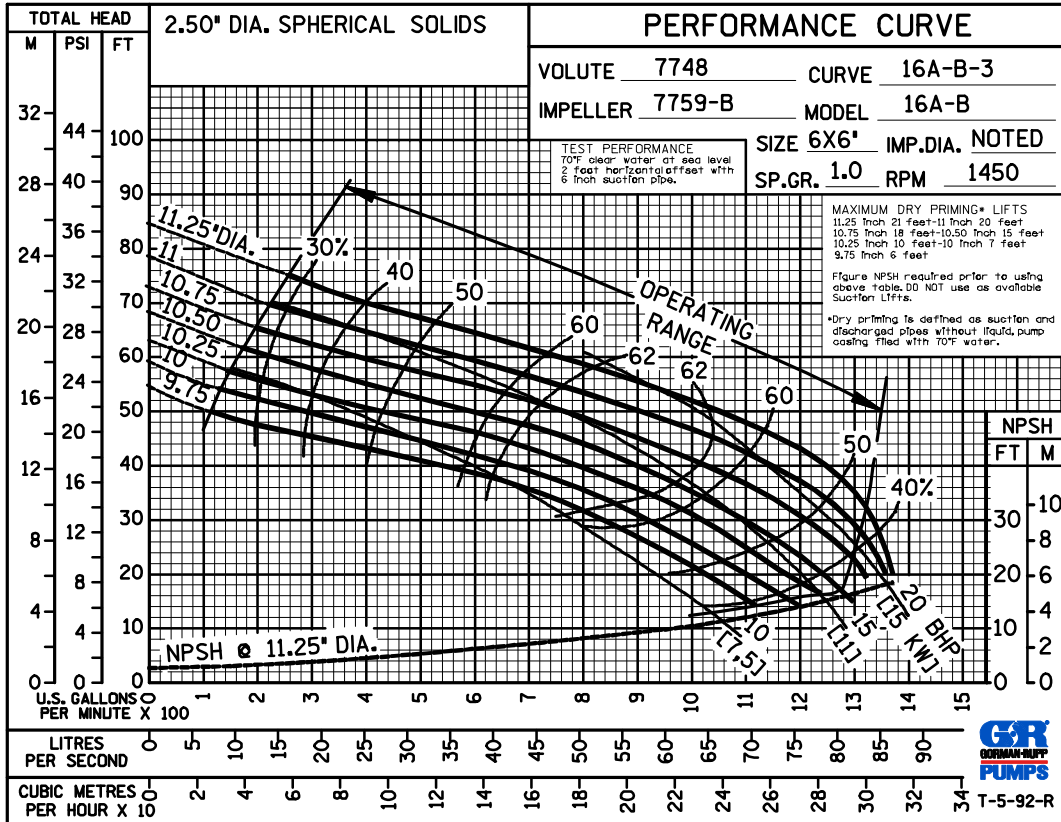


GORMAN-RUPP PUMPS

www.grpumps.com

Specifications Subject to Change Without Notice

Printed in U.S.A.



50 HERTZ  
 PERFORMANCE  
 BASED ON  
 WATER



GORMAN-RUPP PUMPS

www.grpumps.com

Specifications Subject to Change Without Notice

Printed in U.S.A.