

SPECIFICATION DATA



Vertically Staged  
Basic Pump with UltraMate® Second Stage



Model: VS3B60-B

Various Patents Apply

**Pump Specifications**

Size	4" x 3" (102 mm x 76 mm) - Flanged **
Impeller Type	Semi-Open, Two Vane
Solids-Handling Capability	3" (76,2 mm) Dia. Spherical Diameter
Seal Type	Cartridge Type, Mechanical, Oil-Lubricated, Double Floating, Self-Aligning
Radial Bearing	Open Single Row Ball
Thrust Bearing	Open Double Row Ball
Bearing and Seal Cavity Lubrication	SAE 30 Non-Detergent Oil
Maximum Operating Pressure	176 psi (1213 kPa)*
Max Temp of Liquid Pumped	160°F (71°C).*
Oil Level Sight Gauges	Bearing and Seal

**Pump Materials**

Casings	Gray Iron 30
Impellers	Ductile Iron 65-45-12
Impeller Shafts	Stainless Steel 17-4 PH
Shaft Sleeves	Alloy Steel 4130
Seal: Stationary Face	Silicon Carbide
Rotating Face	Silicon Carbide
Elastomer	Fluorocarbon FKM, (Viton® or Equivalent)
Replaceable Wear Plates:	Carbon Steel ASTM A36
Shimless Adjustable Cover Plates	Gray Iron 30
Removable Inspection Cover Plates	Gray Iron 30 – 12 lbs. (5,4 kg.)
Seal Plates	Gray Iron 30
Bearing Housings	Gray Iron 30
Suction Flange	Gray Iron 30
Transition Chamber	Ductile Iron 65-45-12
Gaskets	Buna-N, Compressed Synthetic Fibers, Vegetable Fiber, PTFE, Cork and Rubber
O-Rings	Buna-N
Hardware	Standard Plated Steel
Pressure Relief Valve	Brass

\*Consult Factory for Applications Exceeding Maximum Pressure and/or Temperature Indicated.

**Optional Equipment:** Automatic Air Release Valve. High Pump Temperature Shutdown Kit. Stainless Steel/G-R Hard Iron Impeller, Seal Plate and Wear Plate. 120/240 Volt Casing Heater.

\*\*Optional Gray Iron 30 Flange Kits Available as Follows

(See Price Sheets):

3" Female NPT Discharge Flange Kit.

4" and 3" ASA Suction/Discharge Spool Flange Kits.

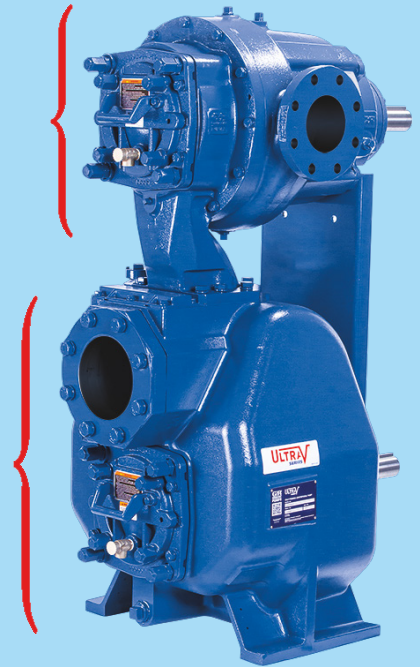
100mm and 80mm DIN 2527 (PN 16) Suction/Discharge Spool flange Kits.

GORMAN-RUPP PUMPS | GRPUMPS.COM

© 2024 The Gorman-Rupp Company. Specifications subject to change without notice

UltraMate®  
Second  
Stage

Ultra V  
Basic  
Pump



**VERTICALLY STAGED ULTRA V WITH ULTRAMATE FEATURES AND BENEFITS**

**Easy To Service And Maintain** - Pump is mounted above liquid being pumped with only the suction line down in liquid.

**Dual Bearing Protection** - An atmospheric barrier along with two lip seals provide additional protection of the pumps bearings. This unique design also allows for quick and easy external monitoring of the bearing cavity.

**Inspection Covers** - Patented, lightweight inspection cover for easy access to the impeller without removing the entire backcover plate or piping.

**5 Year Ultra V Series Warranty**

**Up To 3" Diameter Spherical Solids Handling** (2.50" dia. solids on VS3A model).

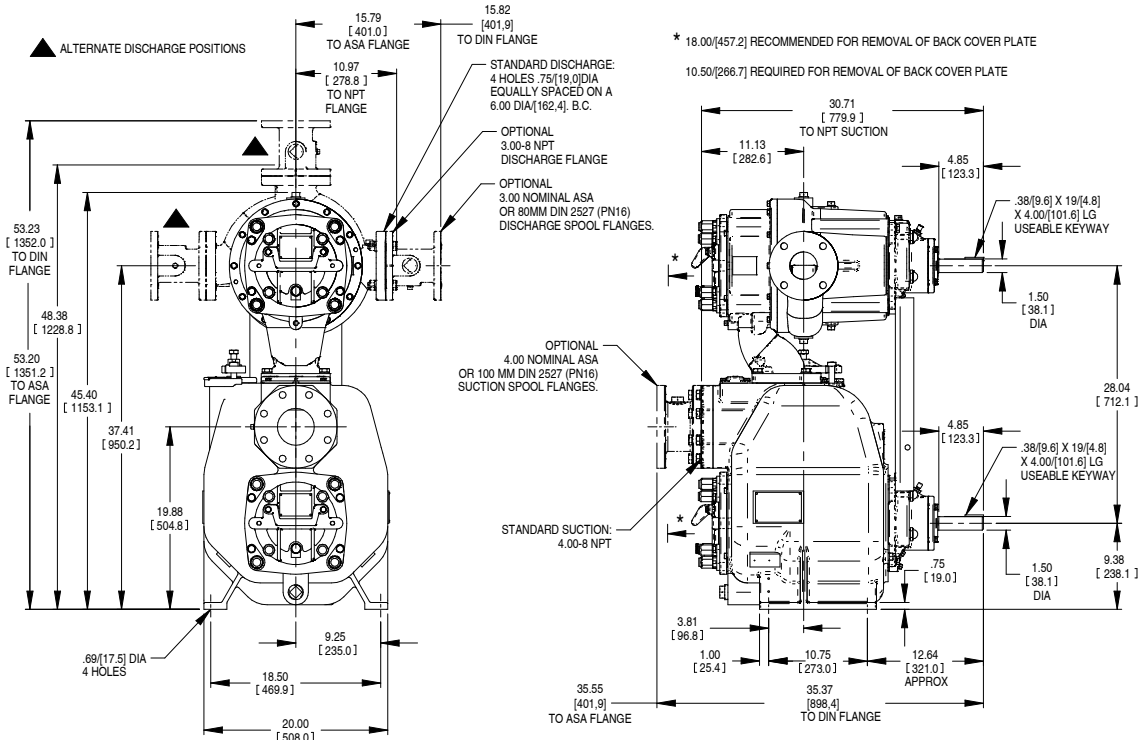
**Removable Rotating Assemblies** - The entire rotating assembly can be removed without disturbing the pumps volute or piping allowing the rotating assemblies to be easily repaired or quickly replaced with a new ready to drop in assembly.

**Two Stages**- UltraMate® paired directly to the Ultra V, maximum pressure is increased up to three times the pressure of traditional solids-handling, self-priming, single stage pumps.

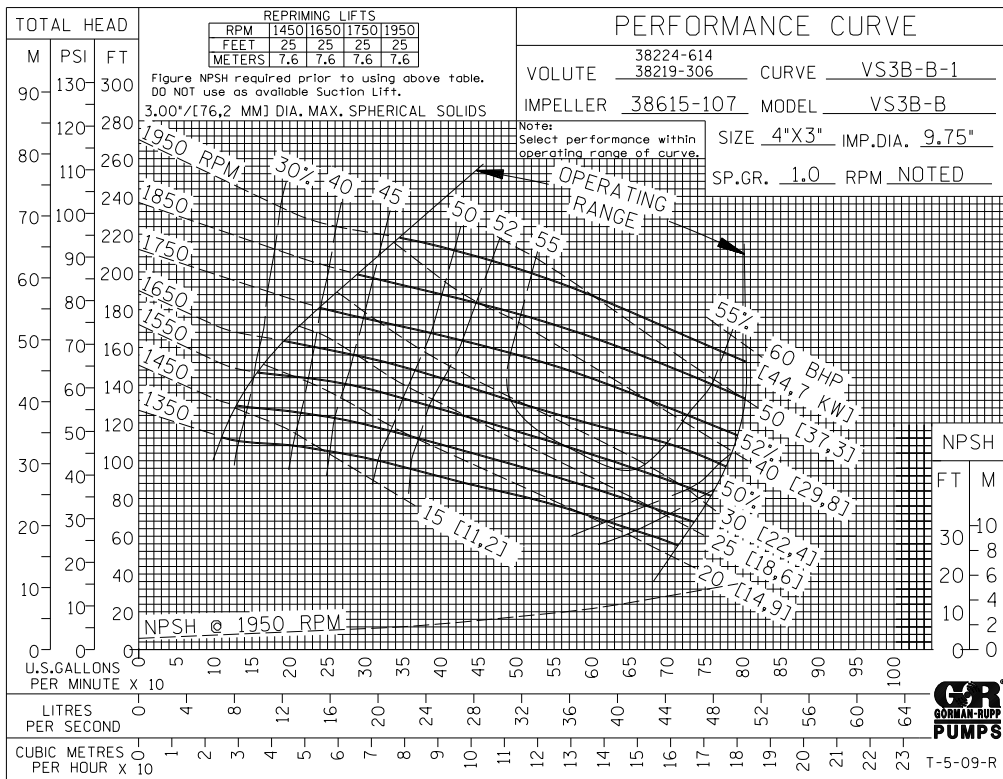
### APPROXIMATE DIMENSIONS AND WEIGHTS

<b>NET WEIGHT</b>	1120 LBS. (508 KG.)*
<b>SHIPPING WEIGHT</b>	1200 LBS. (544 KG.)*
<b>EXPORT CRATE</b>	43 CU. FT. (1,2 CU. M.)

\*WEIGHTS DO NOT INCLUDE OPTIONAL FLANGE KITS.



OPTIONAL SUCTION & DISCHARGE FLANGES SHOWN IN PHANTOM

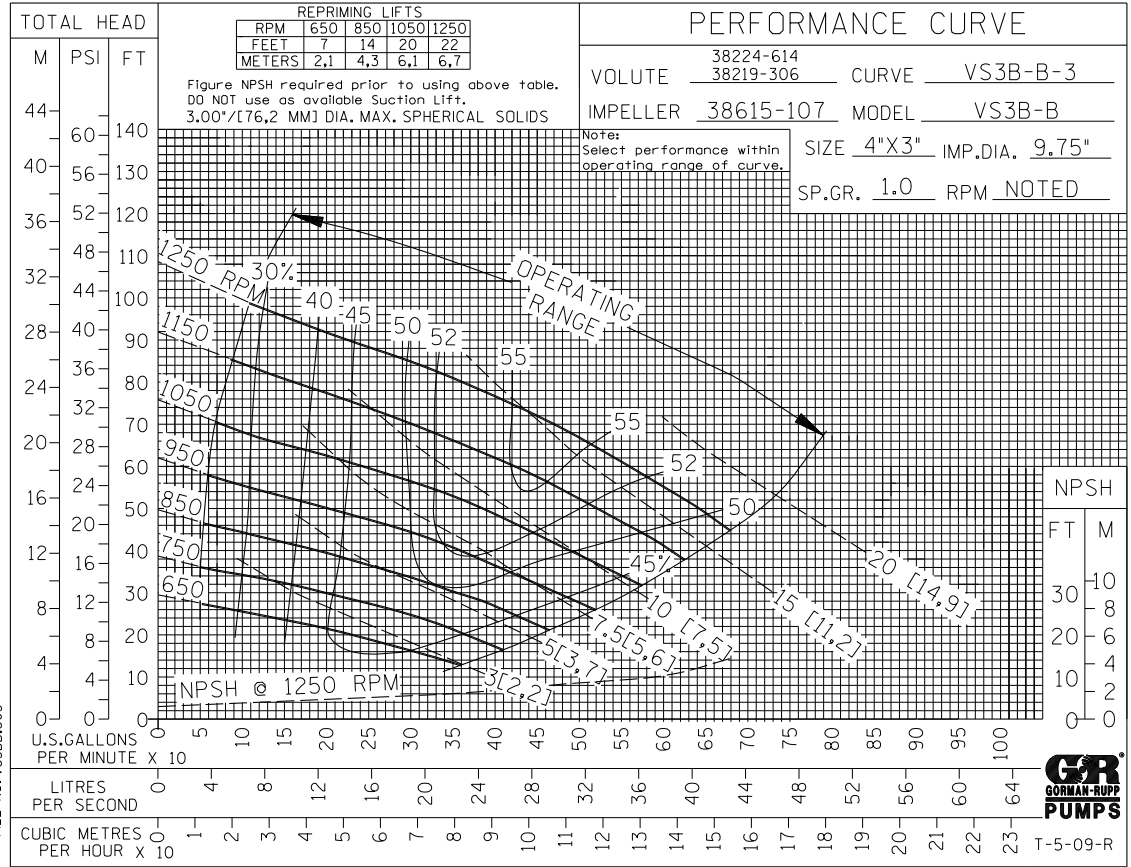


**TOTAL COMBINED H.P. SHOWN**



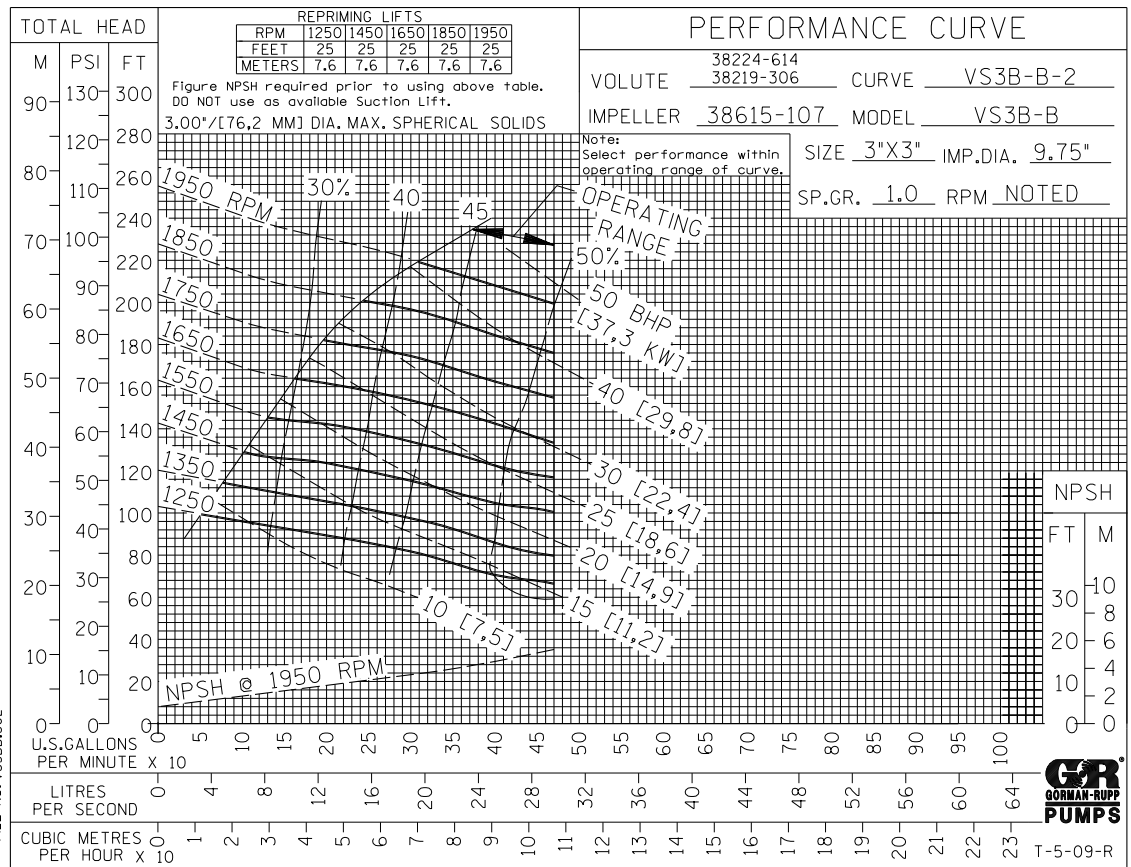
**TOTAL  
COMBINED  
H.P. SHOWN**

**PERFORMANCE  
BASED ON  
WATER**



**TOTAL  
COMBINED  
H.P. SHOWN**

**PERFORMANCE  
FOR REDUCED  
SUCTION  
BASED ON  
WATER**



**TOTAL  
COMBINED  
H.P. SHOWN**

**PERFORMANCE  
FOR REDUCED  
SUCTION  
BASED ON  
WATER**

