

Basic Pedestal Standard Centrifugal Pump



Model VGH1 1/2C31-B Size 2 1/2" x 1 1/2"

PUMP SPECIFICATIONS

Size: 2 1/2" x 1 1/2" (64 mm x 38 mm) Raised Face Flanges.

Casing: Ductile Iron.

Maximum Operating Pressure 182 psi (1255 kPa).*

Enclosed Type, Six Vane Impeller: Gray Iron 40.

Handles 17/64" (7 mm) Diameter Spherical Solids.

Impeller Shaft: Steel 1045.

Two Replaceable Wear Rings: Gray Iron 25.

Seal Plate: Ductile Iron.

Bypass Flush Piping.

Bearing Housing: Gray Iron 25.

Radial Bearing: Open Single Row Ball.

Thrust Bearing: Open Double Row Ball.

Bearing Lubrication: SAE 30 Non-Detergent Oil.

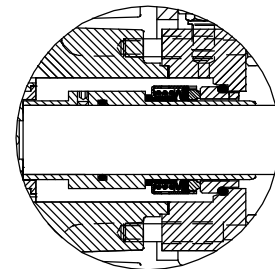
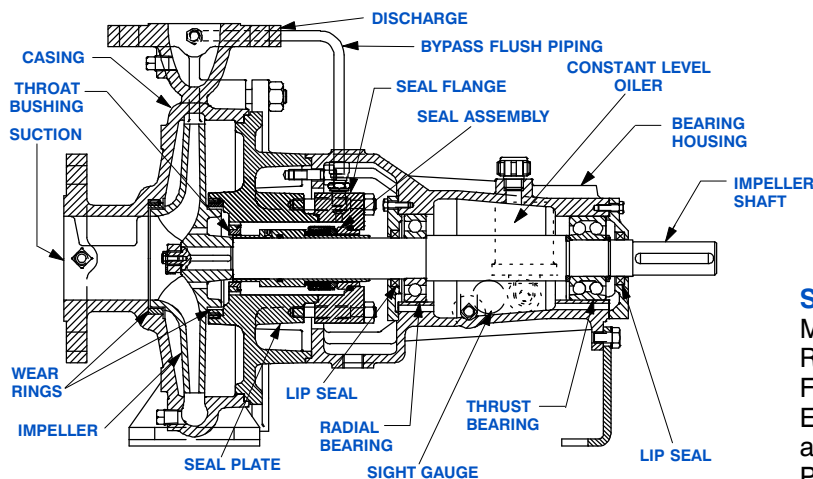
Gaskets: Nitrile Rubber.

Hardware: Standard Plated Steel.

Bearing Housing Level Oiler.

Optional Equipment: Strainer. NPT Suction and Discharge Flanges. Consult Factory for Optional Seals.

**Consult Factory for Applications Exceeding Maximum Pressure and/or Temperature Indicated.*



SEAL DETAIL

Mechanical, Self-Lubricated. Silicon Carbide Rotating and Stationary Faces. Fluorocarbon Elastomers (DuPont Viton® or Equivalent). Stainless Steel 316 Shaft Sleeve and Spring. Maximum Temperature of Liquid Pumped, 160°F (71°C).*



GORMAN-RUPP PUMPS

www.grpumps.com

Specifications Subject to Change Without Notice

Printed in U.S.A.

Specification Data

SECTION 70, PAGE 151

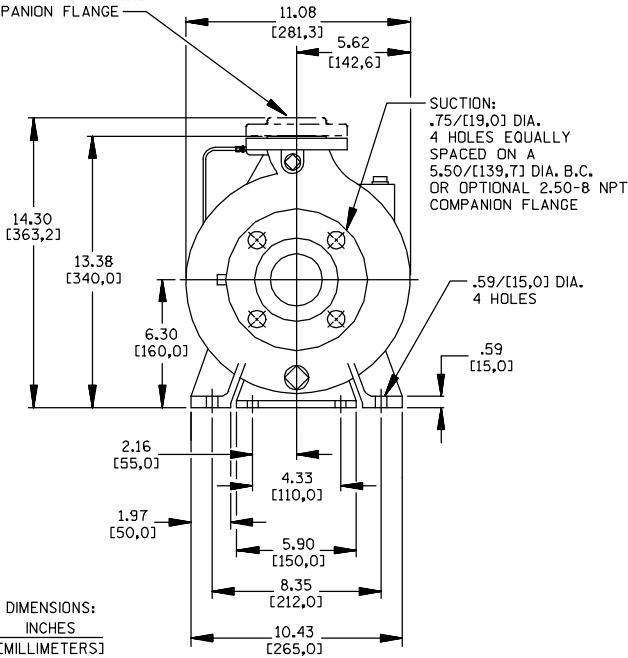
APPROXIMATE DIMENSIONS and WEIGHTS

NET WEIGHT: 103 LBS. (47 KG.)

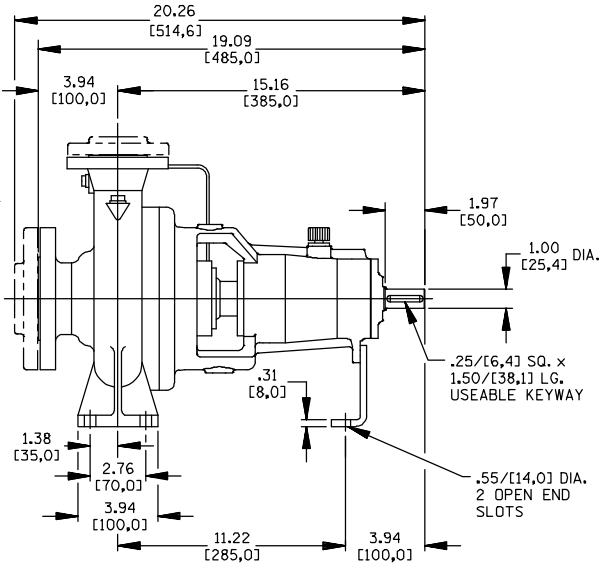
SHIPPING WEIGHT: 113 LBS. (51 KG.)

EXPORT CRATE: 5.6 CU. FT. (0,16 CU. M.)

DISCHARGE:
.62/[15,7] DIA. 4 HOLES EQUALLY SPACED ON A 3.88/[98,6] DIA. B.C. OR OPTIONAL 1.50-11.5 NPT COMPANION FLANGE

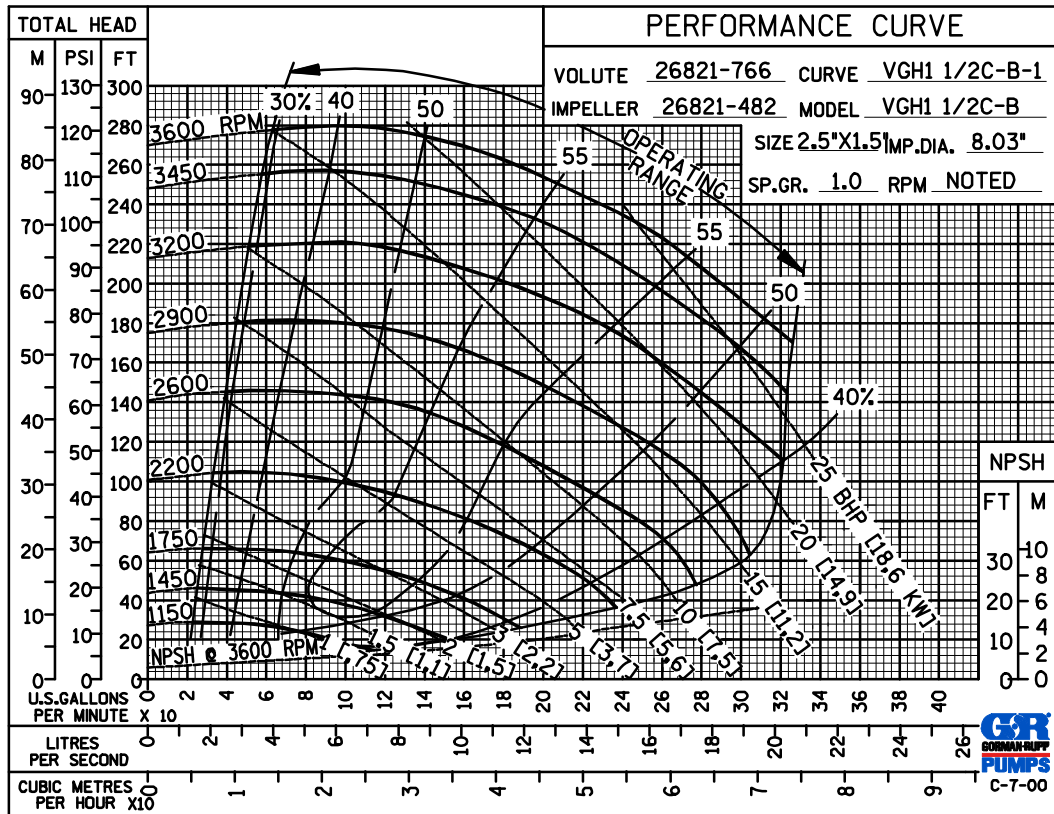


SUCTION:
.75/[19,0] DIA. 4 HOLES EQUALLY SPACED ON A 5.50/[139,7] DIA. B.C. OR OPTIONAL 2.50-8 NPT COMPANION FLANGE



DIMENSIONS:
INCHES
[MILLIMETERS]

PERFORMANCE
BASED ON
WATER



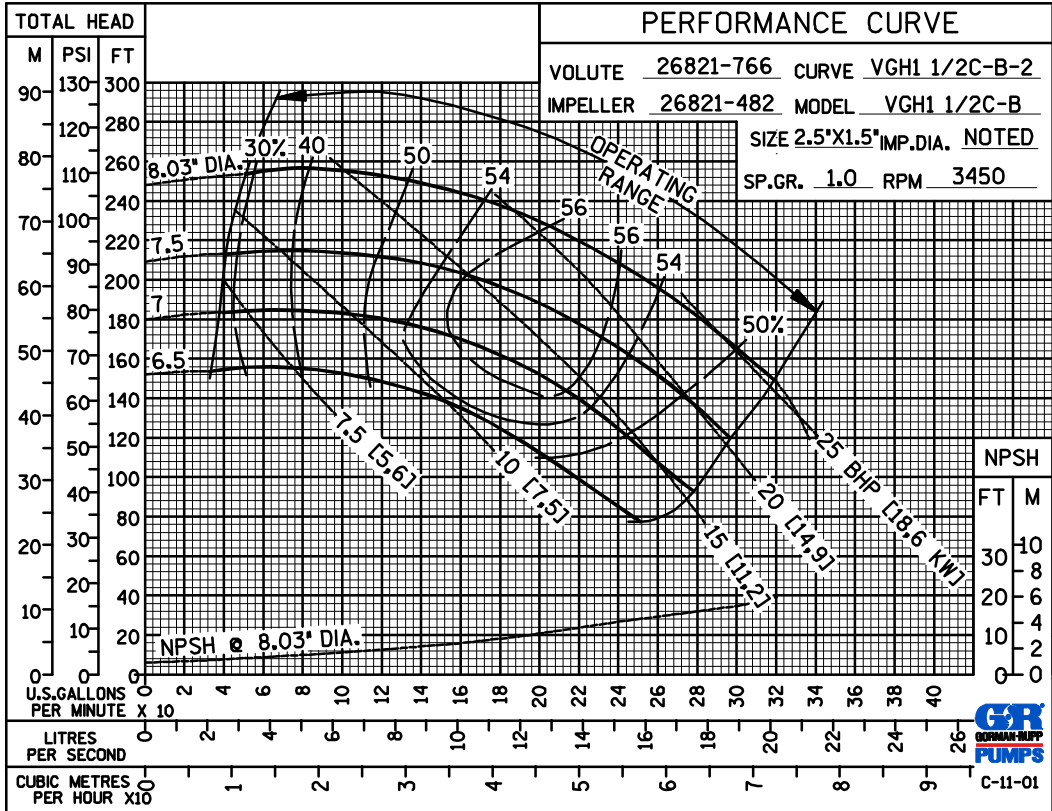
GORMAN-RUPP PUMPS

www.grpumps.com

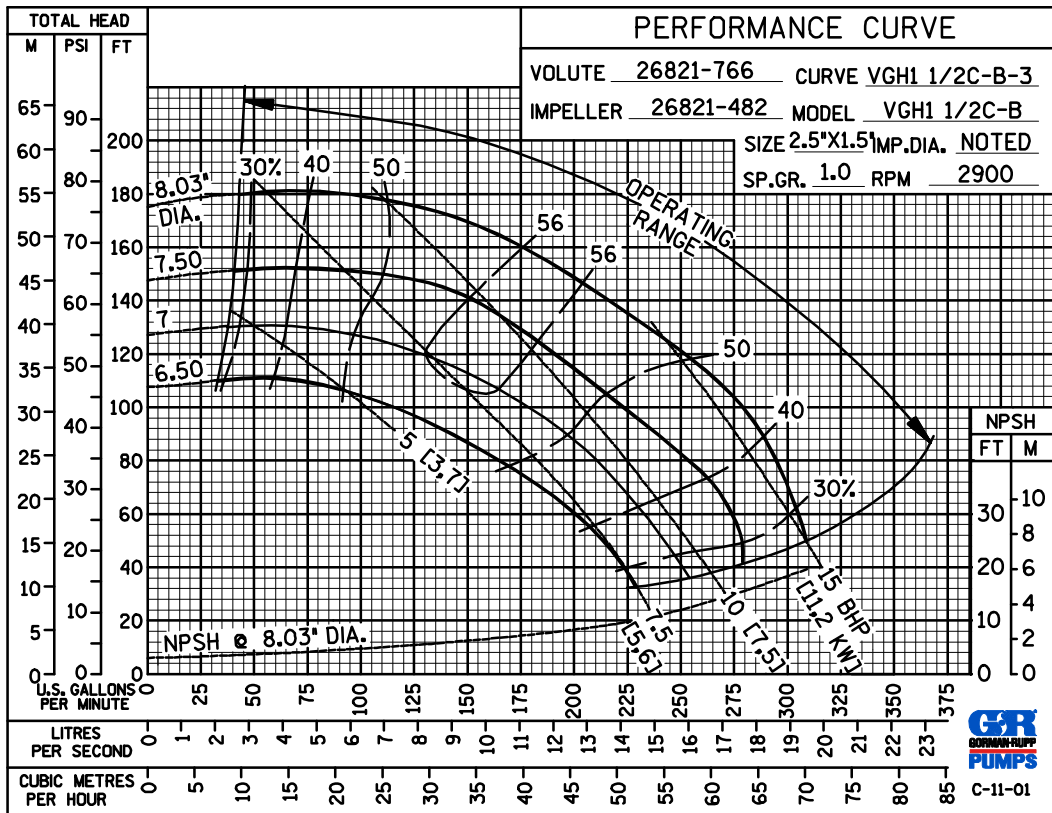
Specifications Subject to Change Without Notice

Printed in U.S.A.

PERFORMANCE
BASED ON
WATER



PERFORMANCE
BASED ON
WATER



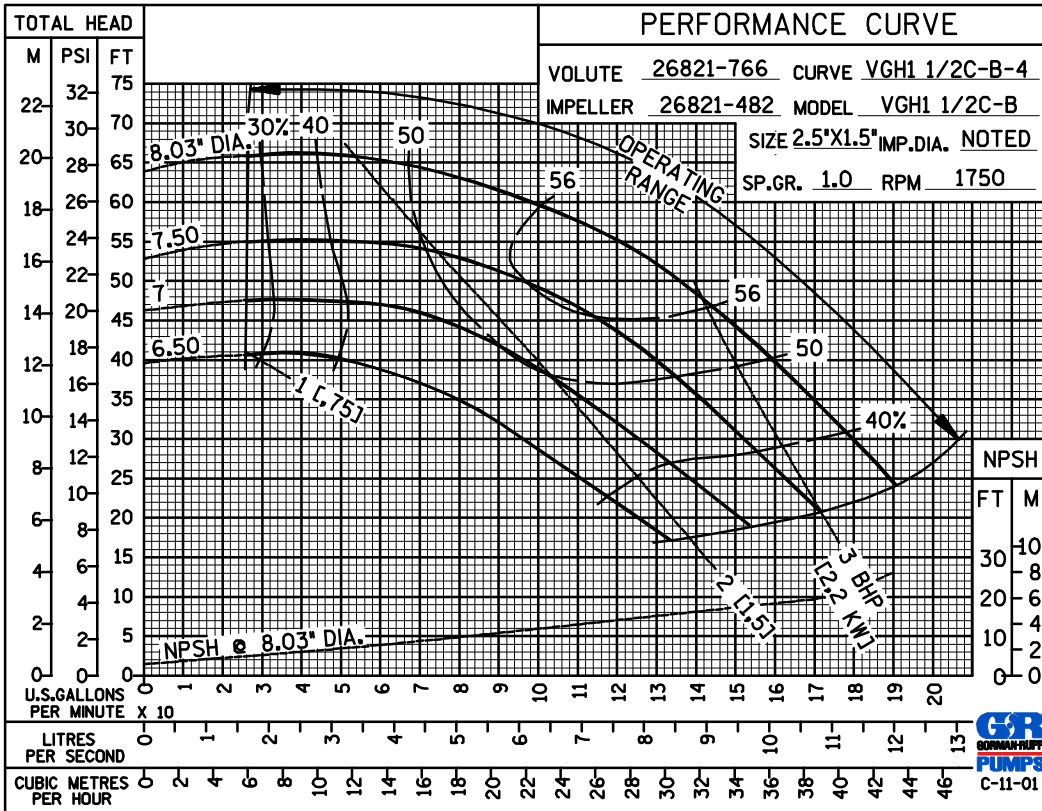
GORMAN-RUPP PUMPS

www.grpumps.com

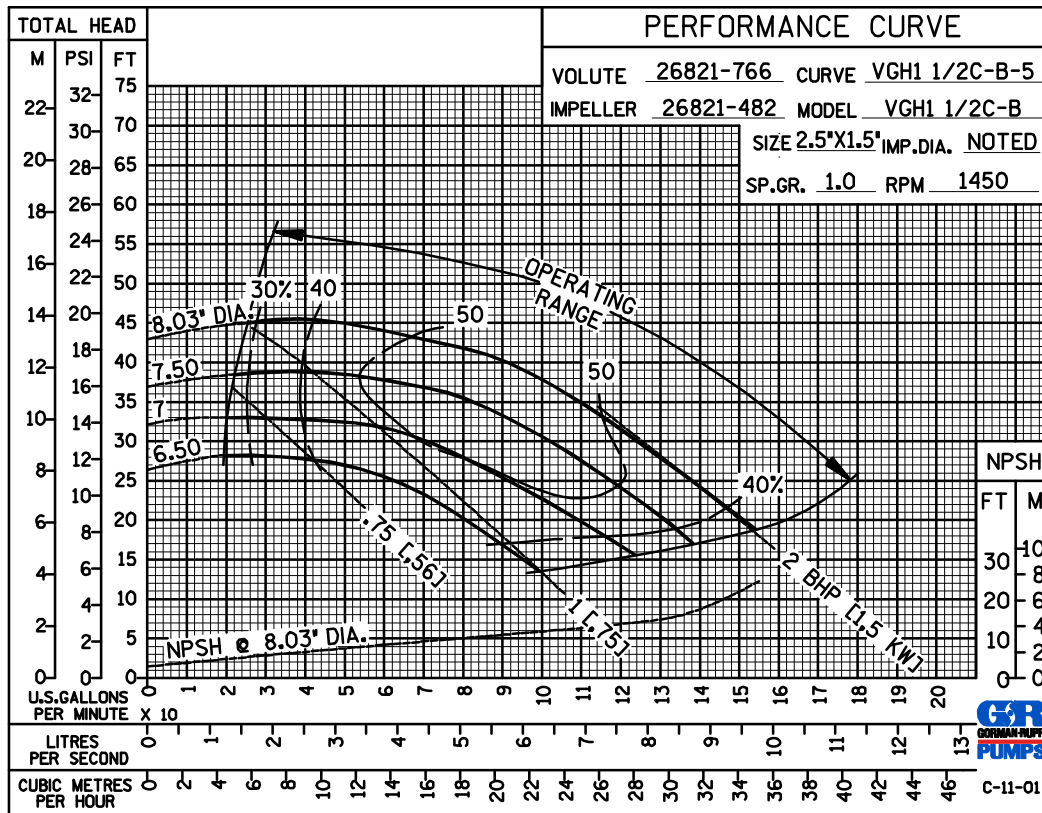
Specifications Subject to Change Without Notice

Printed in U.S.A.

PERFORMANCE
BASED ON
WATER



PERFORMANCE
BASED ON
WATER



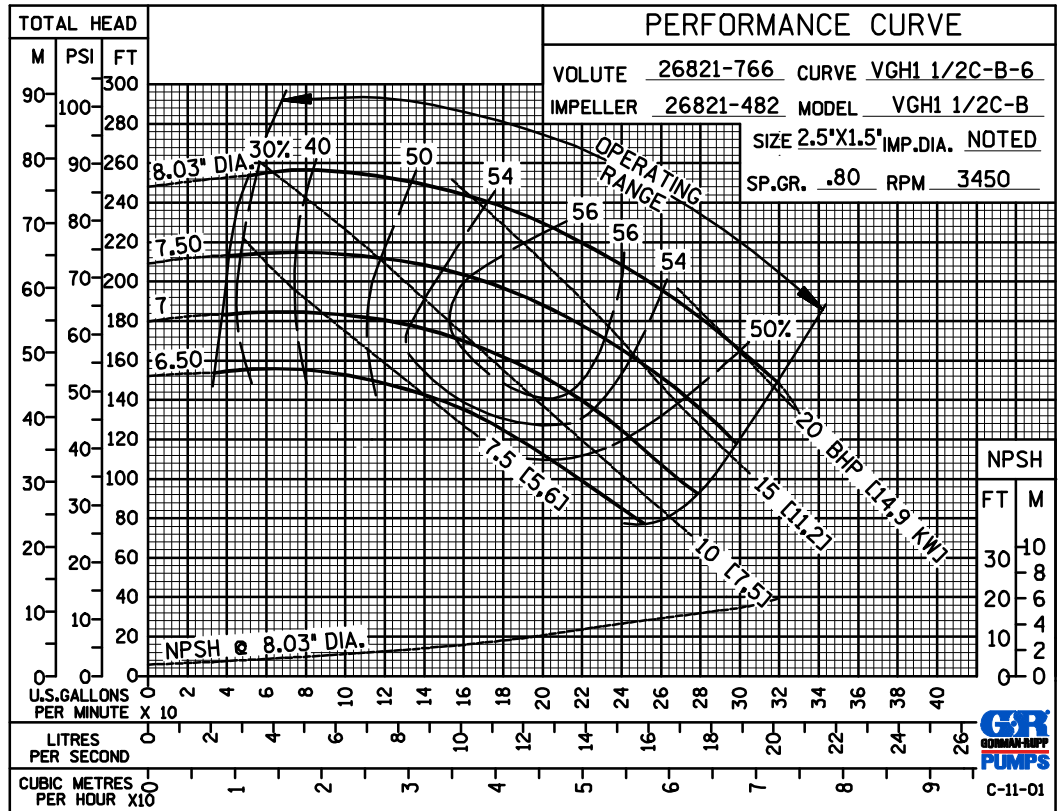
GORMAN-RUPP PUMPS

www.grpumps.com

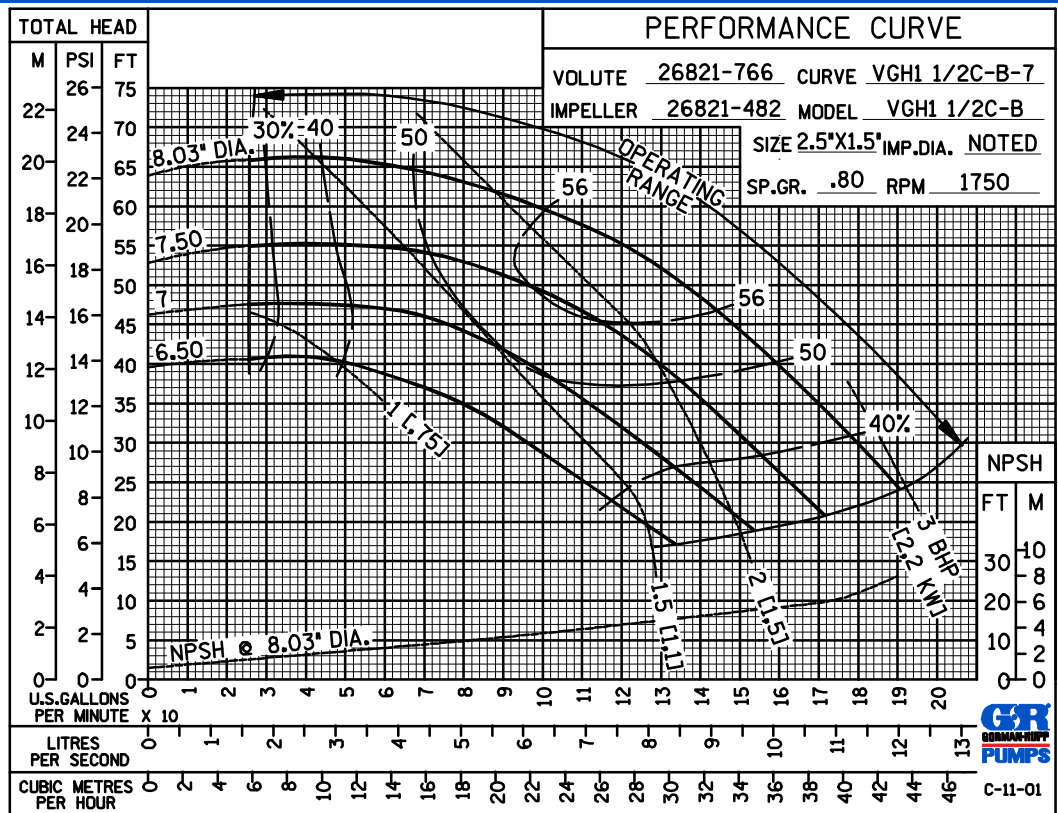
Specifications Subject to Change Without Notice

Printed in U.S.A.

PERFORMANCE
BASED ON
PETROLEUM



PERFORMANCE
BASED ON
PETROLEUM



GORMAN-RUPP PUMPS

www.grpumps.com

Specifications Subject to Change Without Notice

Printed in U.S.A.