

## Basic

## Standard Centrifugal Pump

## Model 62E31-B

## Size 3" x 2"



## PUMP SPECIFICATIONS

**Size:** 3" x 2" (76 mm x 52 mm) Flanged.

**Casing:** Ductile Iron 65-45-12.

Maximum Operating Pressure 60 psi (414 kPa).\*

**Enclosed Type, Four Vane Impeller:** Aluminum Alloy 356-T6.

Handles 1/4" (6,4 mm) Diameter Spherical Solids.

**Impeller Shaft:** Carbon Steel 1045.

**Bearing Housing:** Ductile Iron 65-45-12.

**Bearing Housing Lubrication:** Grease.

**Radial and Thrust Bearings:** Sealed Single Row Ball.

**Body Cover :** Ductile Iron 65-45-12.

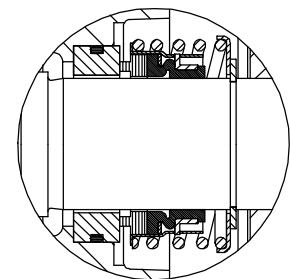
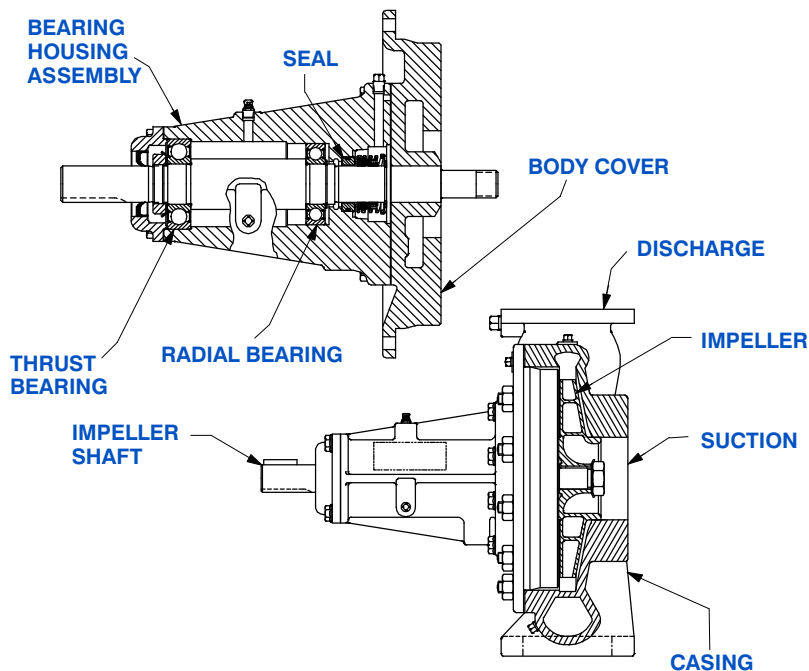
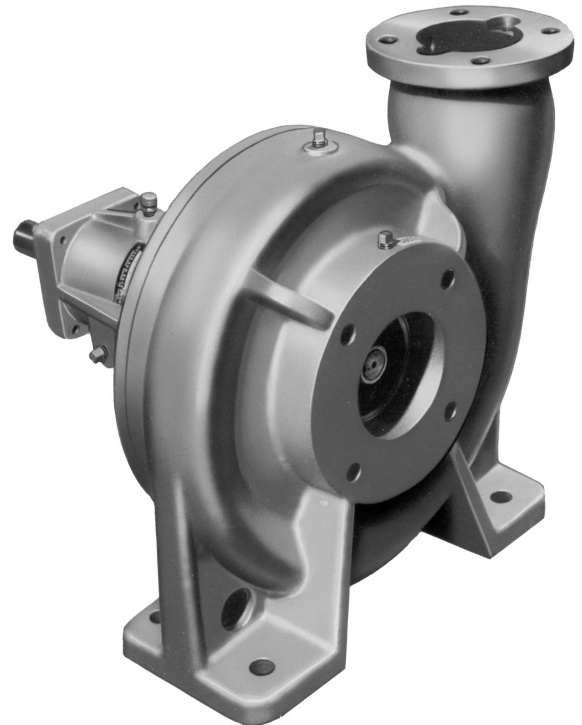
**Gaskets:** Buna-N.

**Hardware:** Standard Plated Steel.

**Optional Equipment:** 150# Steel 3" NPT Suction and 2" NPT

Discharge Flange Kit. Strainer. Copper Alloy C93700 Impeller. PTFE Seal with Fluorocarbon O-Ring. PTFE Seal with Buna-N O-Ring.

*\*Consult Factory for Applications Exceeding Maximum Pressure and/or Temperature Indicated.*



## SEAL DETAIL

Type 2, Mechanical Self-Lubricated. Carbon Rotating Face. Ni-Resist Stationary Face. Fluorocarbon Elastomers (DuPont Viton® or Equivalent). Stainless Steel 18-8 Cage and Spring. Maximum Temperature of Liquid Pumped, 160°F [71°C].\*



GORMAN-RUPP PUMPS

www.grpumps.com

Specifications Subject to Change Without Notice

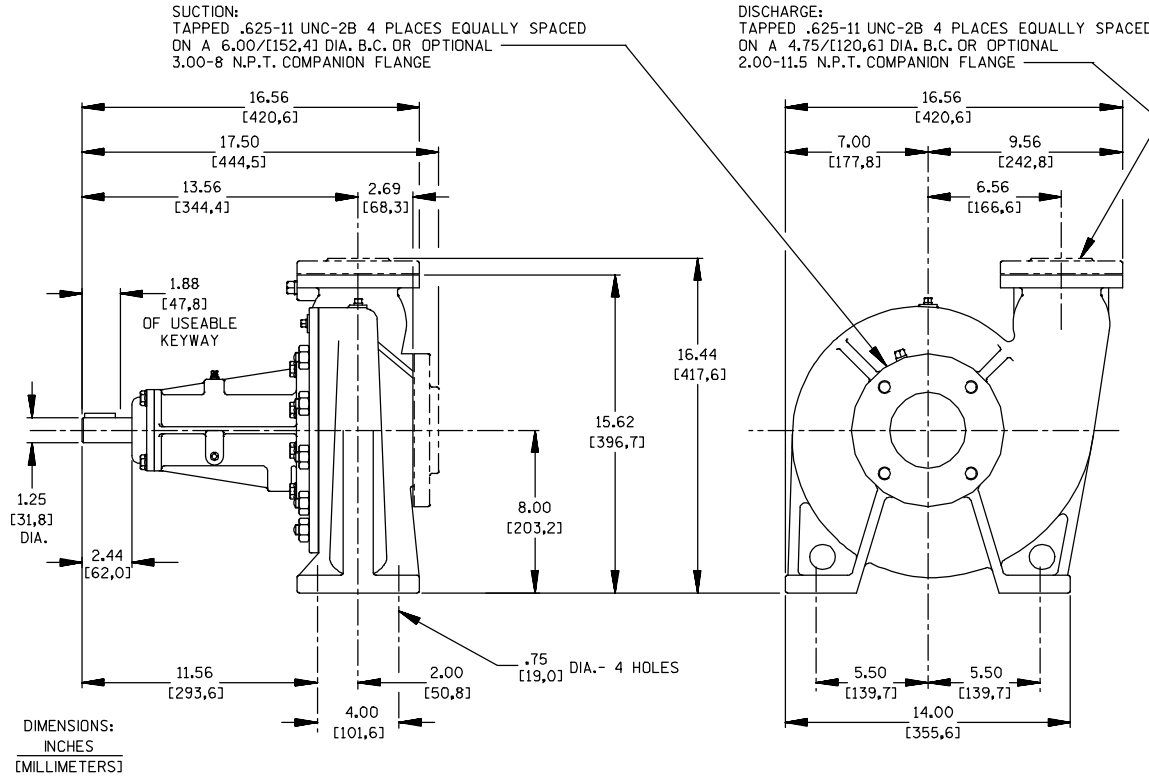
Printed in U.S.A.

**Specification Data**

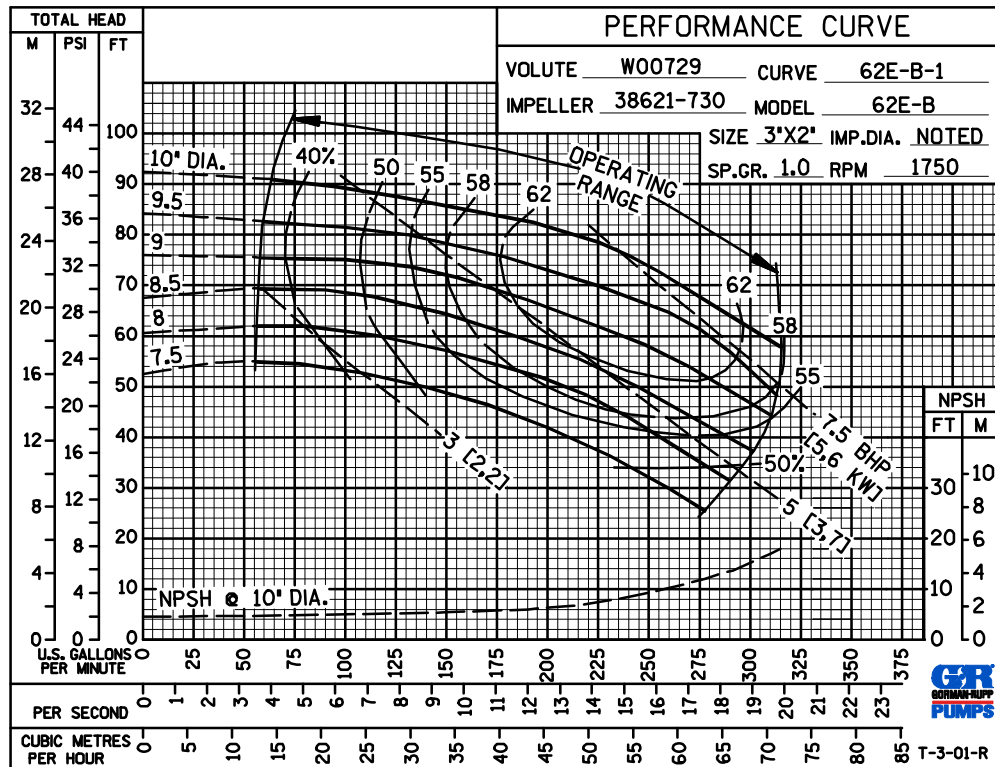
**NET WEIGHT:** 145 LBS. (65,8 KG.)  
**SHIPPING WEIGHT:** 159 LBS. (72,1 KG.)  
**EXPORT CRATE:** 5.6 CU. FT. (0,16 CU. M.)

**SECTION 70, PAGE 200**

APPROXIMATE  
DIMENSIONS and WEIGHTS



PERFORMANCE  
BASED ON  
WATER



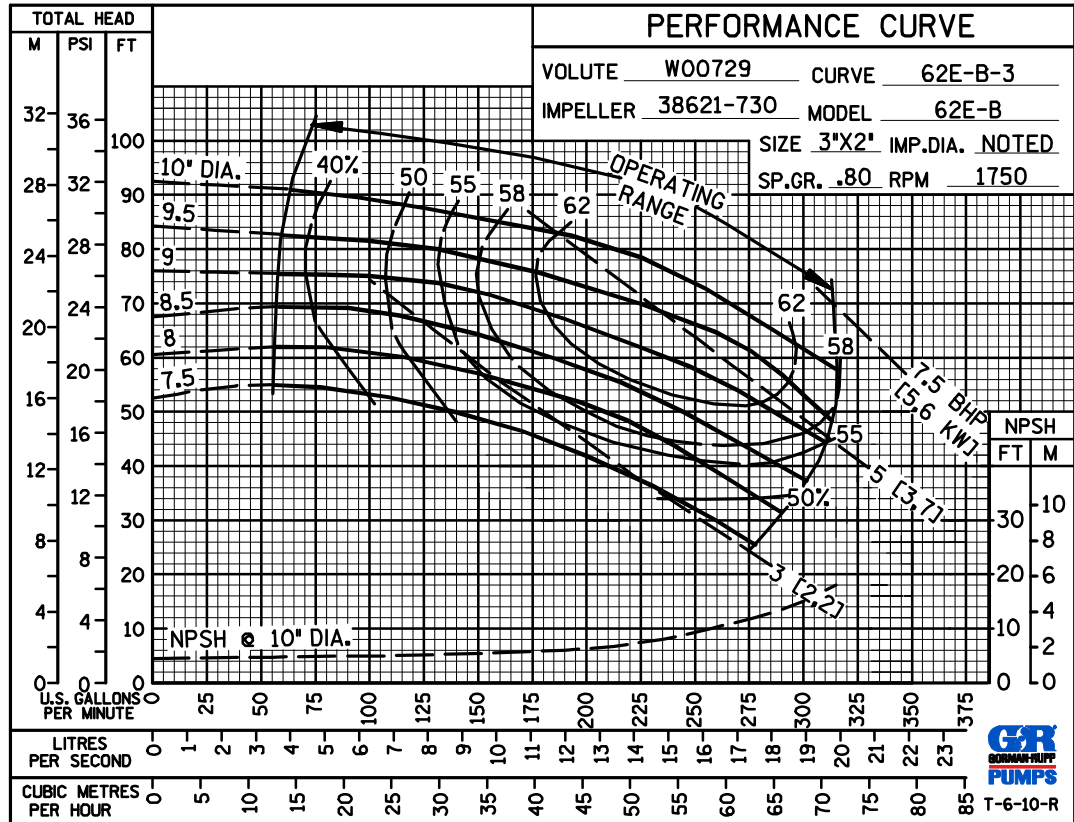
**GORMAN-RUPP PUMPS**

www.grpumps.com

Specifications Subject to Change Without Notice

Printed in U.S.A.

PERFORMANCE  
BASED ON  
PETROLEUM



GORMAN-RUPP PUMPS

www.grpumps.com

Specifications Subject to Change Without Notice

Printed in U.S.A.