



## Basic Pedestal

# Standard Centrifugal Pump

## Model VG2D3-B

### Size 2 1/2" x 2"

#### PUMP SPECIFICATIONS

**Size:** 2 1/2" x 2" (64 mm x 51 mm) Flanged.

**Casing:** Gray Iron 40.

Maximum Operating Pressure 195 psi (1345 kPa).\*

**Enclosed Type, Six Vane Impeller:** Gray Iron 40.

Handles 3/8" (9,5 mm) Diameter Spherical Solids.

**Impeller Shaft:** Steel 1045.

**Shaft Sleeve:** Stainless Steel 420.

**Seal Plate:** Gray Iron 40.

**Bearing Housing:** Gray Iron 40.

**Radial Bearing:** Open Single Row Ball.

**Thrust Bearing:** Open Double Row Ball.

**Bearing Lubrication:** SAE 30 Non-Detergent Oil.

**Gaskets:** Nitrile Rubber.

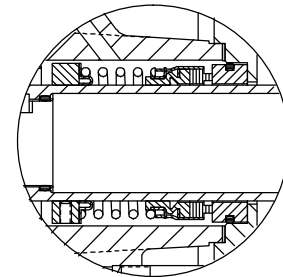
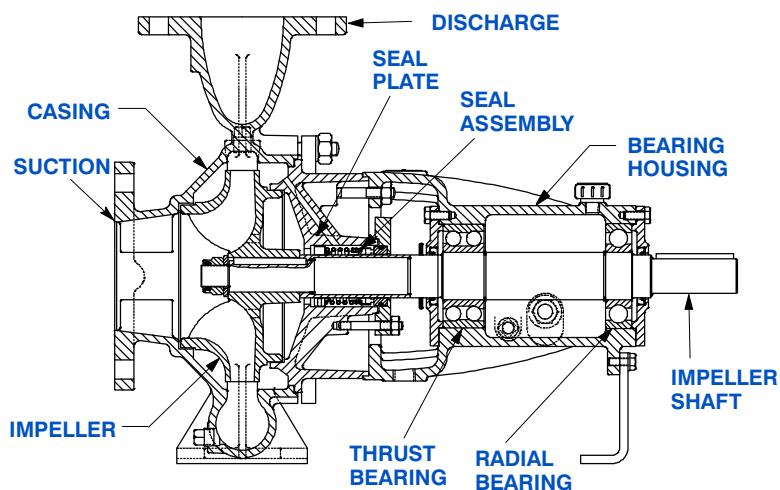
**O-Ring:** Fluorocarbon (DuPont Viton® or Equivalent).

**Hardware:** Standard Plated Steel.

**Oil Level Sight Gauge.**

**Optional Equipment:** NPT Suction and Discharge Flanges. Strainer. Stainless Steel Impeller. Mechanical Seal with Fluorocarbon Elastomers (DuPont Viton® or Equivalent).

*\*Consult Factory for Applications Exceeding Maximum Pressure and/or Temperature Indicated.*



#### SEAL DETAIL

Type 1, Mechanical, Self-Lubricated. Carbon Rotating Face. Ceramic Stationary Seat. Buna-N Elastomers. Stainless Steel and/or Brass Cage and Spring. Maximum Temperature of Liquid Pumped, 160°F (71°C).\*



## GORMAN-RUPP PUMPS

www.grpumps.com

Specifications Subject to Change Without Notice

Printed in U.S.A.

**Specification Data**

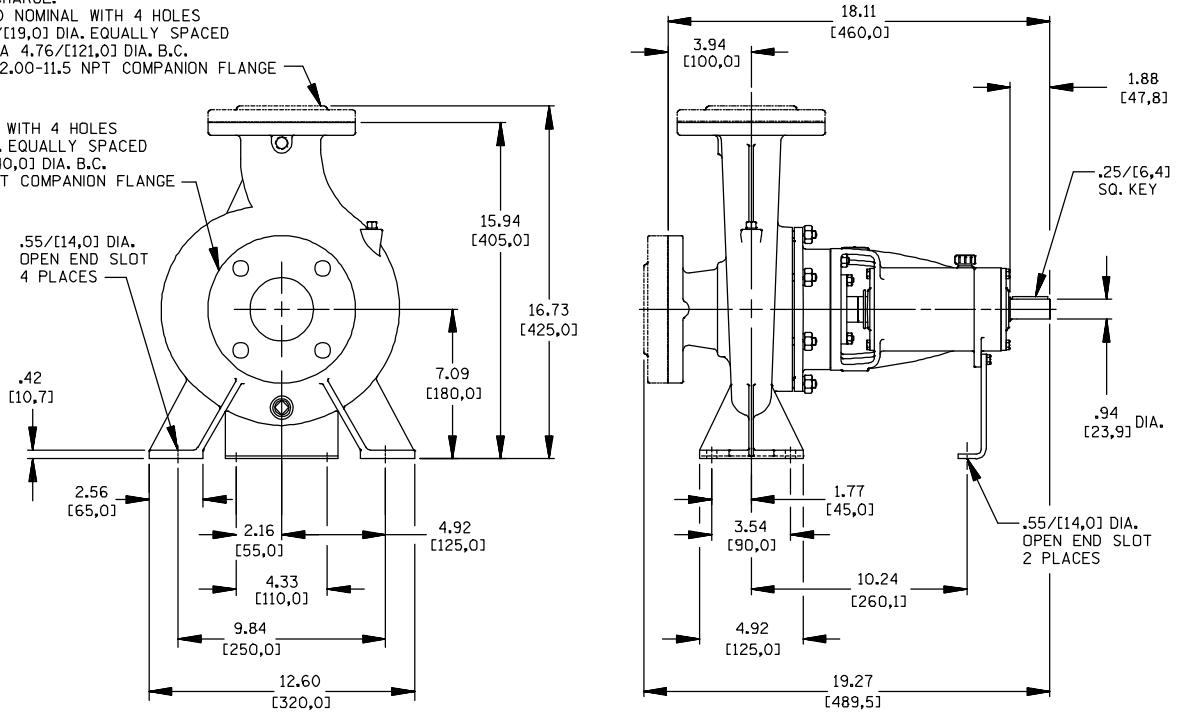
SECTION 70, PAGE 260

APPROXIMATE DIMENSIONS and WEIGHTS

**NET WEIGHT: 108 LBS. (49,0 KG.)**  
**SHIPPING WEIGHT: 118 LBS. (53,5 KG.)**  
**EXPORT CRATE SIZE: 5.6 CU. FT. (0,16 CU. M.)**

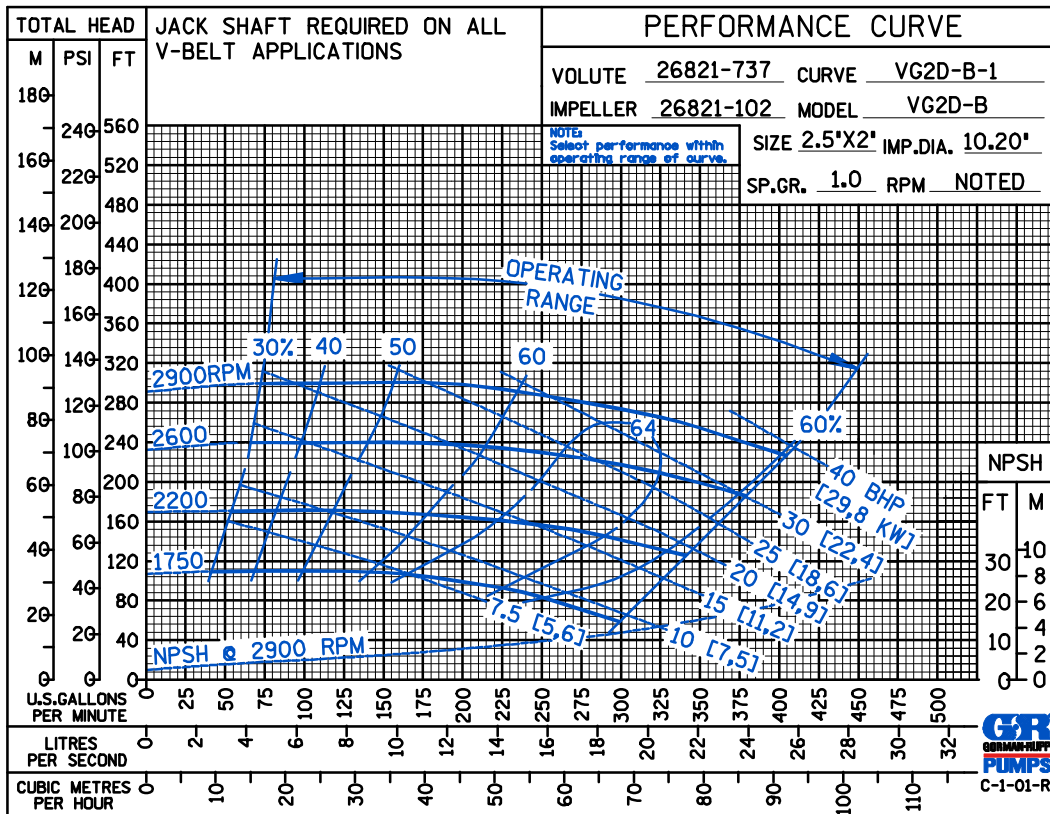
DISCHARGE:  
 2.00 NOMINAL WITH 4 HOLES  
 .75/[19,0] DIA. EQUALLY SPACED  
 ON A 4.76/[121,0] DIA. B.C.  
 OR 2.00-11.5 NPT COMPANION FLANGE

SUCTION:  
 2.50 NOMINAL WITH 4 HOLES  
 .75/[19,0] DIA. EQUALLY SPACED  
 ON A 5.51/[140,0] DIA. B.C.  
 OR 2.50-8 NPT COMPANION FLANGE



DIMENSIONS:  
 INCHES  
 [MILLIMETERS]

PERFORMANCE  
 BASED ON  
 WATER



**GORMAN-RUPP PUMPS**

www.grpumps.com

Specifications Subject to Change Without Notice

Printed in U.S.A.

