

# Basic Pedestal Standard Centrifugal Pump



## Model VGH2 1/2B31-B

### Size 4" x 2 1/2"

#### PUMP SPECIFICATIONS

**Size:** 4" x 2 1/2" (102 mm x 64 mm) Raised Face Flanges.

**Casing:** Ductile Iron.

Maximum Operating Pressure 179 psi (1234 kPa).\*

**Enclosed Type, Six Vane Impeller:** Gray Iron 40.

Handles 35/64" (14 mm) Diameter Spherical Solids.

**Impeller Shaft:** Steel 1045.

**Two Replaceable Wear Rings:** Gray Iron 25.

**Seal Plate:** Ductile Iron.

**Bypass Flush Piping.**

**Bearing Housing:** Gray Iron 25.

**Radial Bearing:** Open Cylindrical Roller.

**Thrust Bearing:** Open Double Row Ball.

**Bearing Lubrication:** SAE 30 Non-Detergent Oil.

**Gaskets:** Nitrile Rubber.

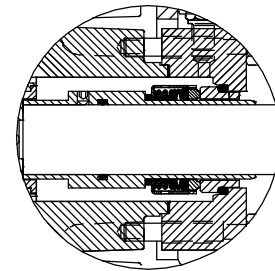
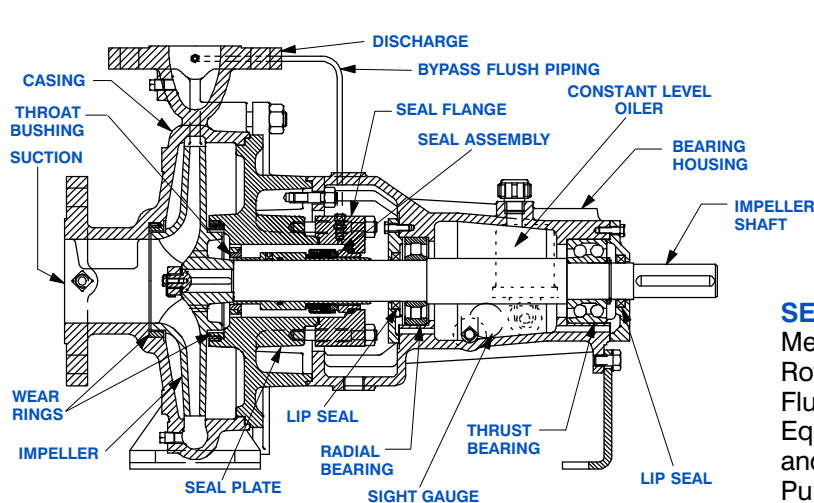
**Hardware:** Standard Plated Steel.

**Bearing Housing Level Oiler.**

**Optional Equipment:** Strainer. NPT Suction and Discharge Flanges. Stainless Steel Impeller. Consult Factory for Optional Seals.



*\*Consult Factory for Applications Exceeding Maximum Pressure and/or Temperature Indicated.*



#### SEAL DETAIL

Mechanical, Self-Lubricated. Silicon Carbide Rotating and Stationary Faces. Fluorocarbon Elastomers (DuPont Viton® or Equivalent). Stainless Steel 316 Shaft Sleeve and Spring. Maximum Temperature of Liquid Pumped, 160°F (71°C).\*



## GORMAN-RUPP PUMPS

www.grpumps.com

Specifications Subject to Change Without Notice

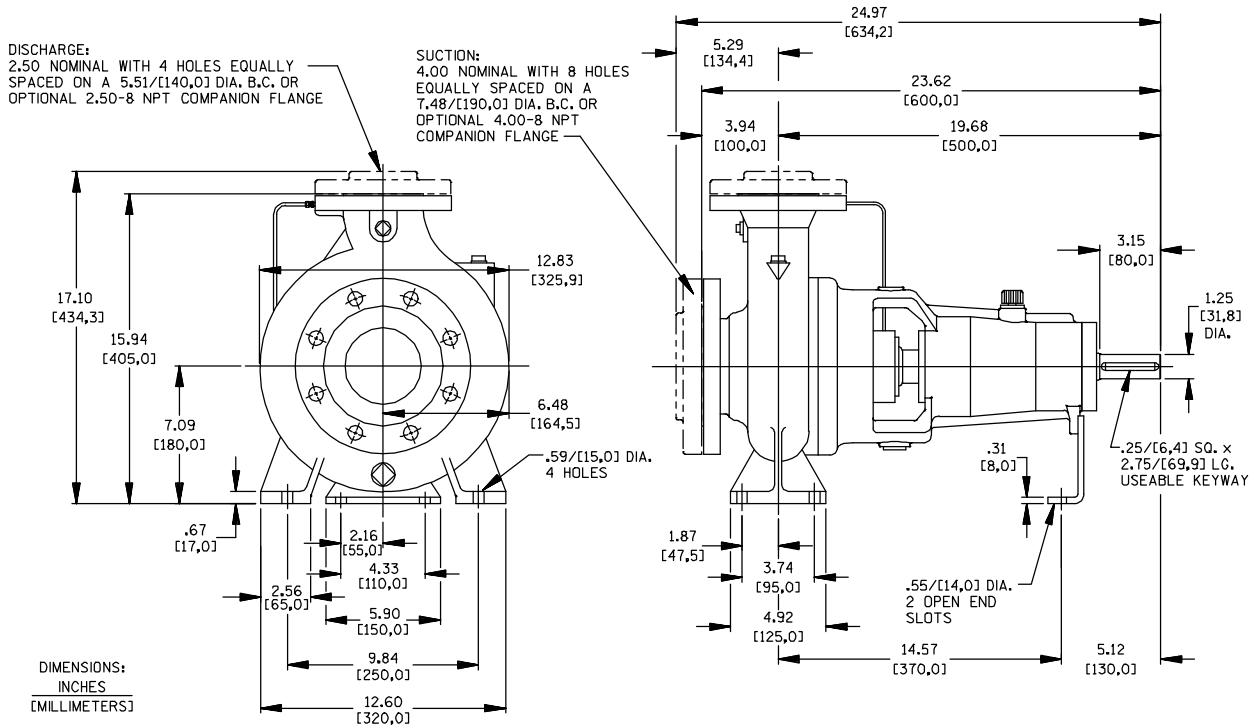
Printed in U.S.A.

**Specification Data**

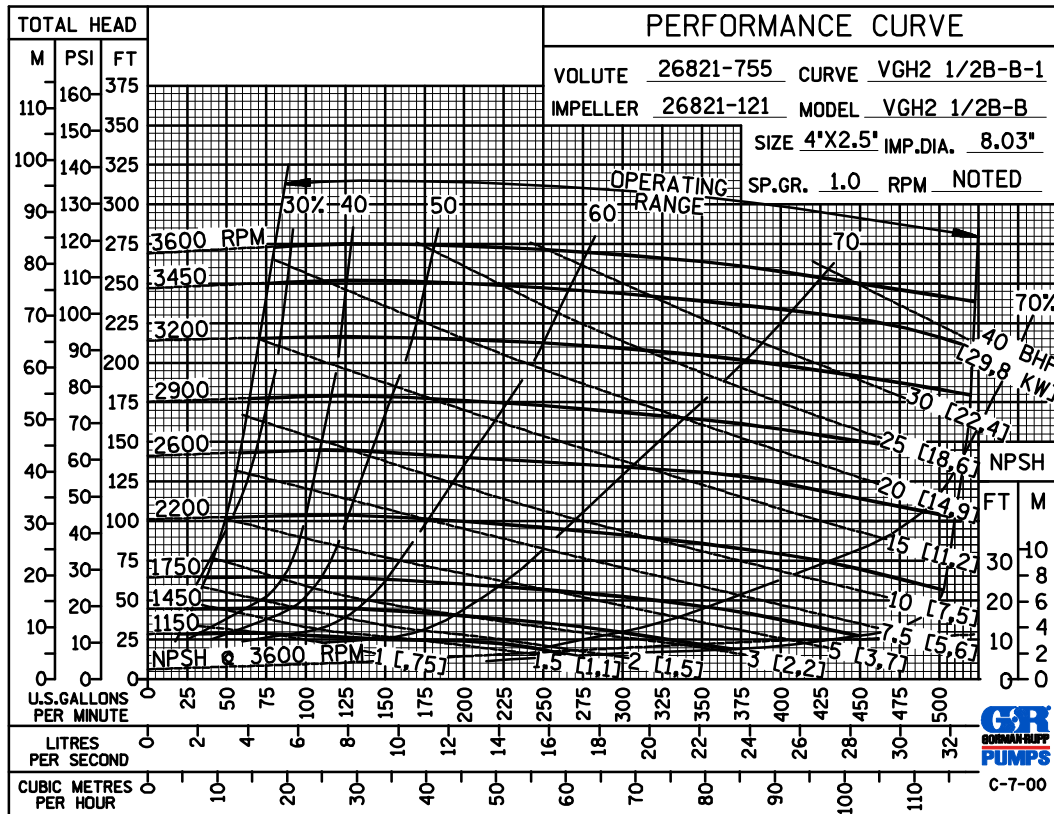
SECTION 70, PAGE 281

APPROXIMATE  
DIMENSIONS and WEIGHTS

**NET WEIGHT:** 151 LBS. (68 KG.)  
**SHIPPING WEIGHT:** 161 LBS. (73 KG.)  
**EXPORT CRATE SIZE:** 7.9 CU. FT. (0,22 CU. M.)



PERFORMANCE  
BASED ON  
WATER



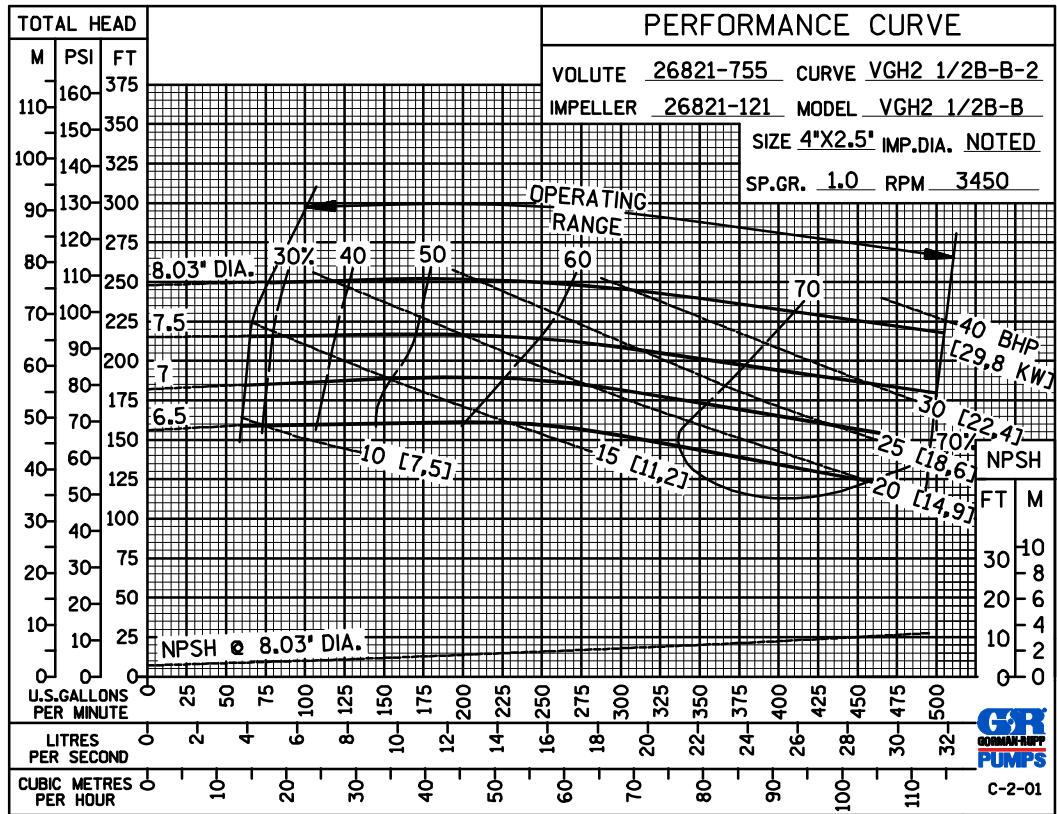
**GORMAN-RUPP PUMPS**

www.grpumps.com

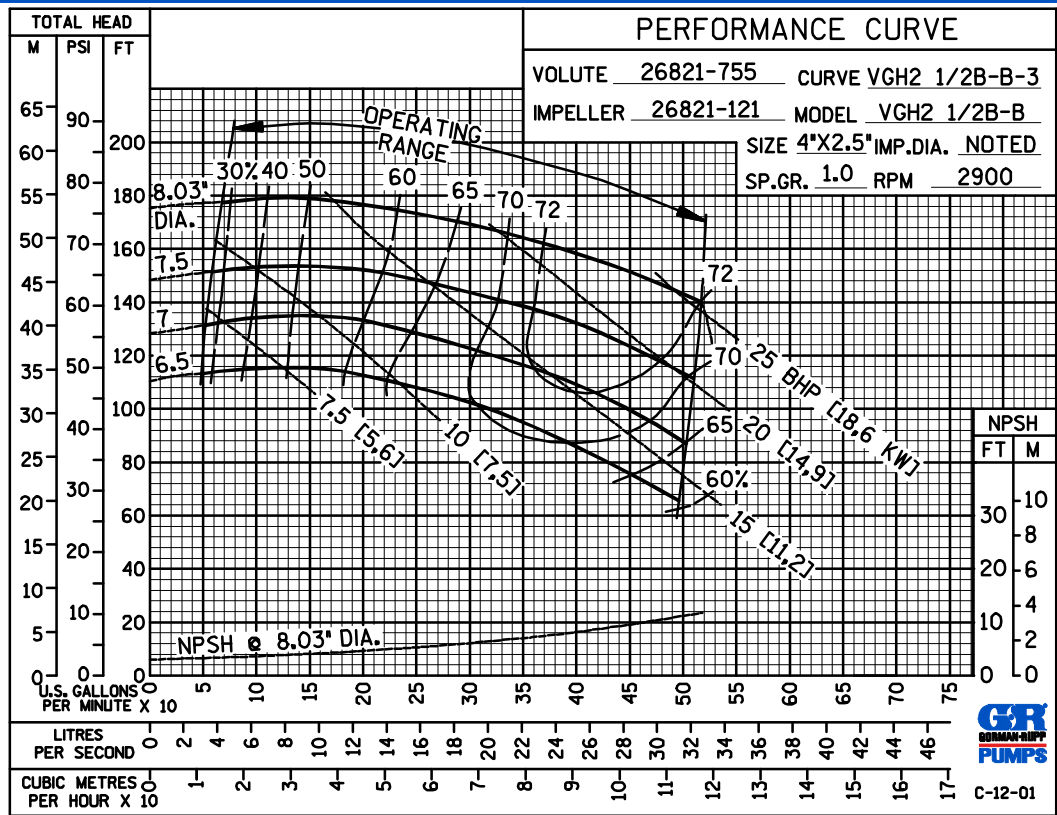
Specifications Subject to Change Without Notice

Printed in U.S.A.

PERFORMANCE  
BASED ON  
WATER



PERFORMANCE  
BASED ON  
WATER



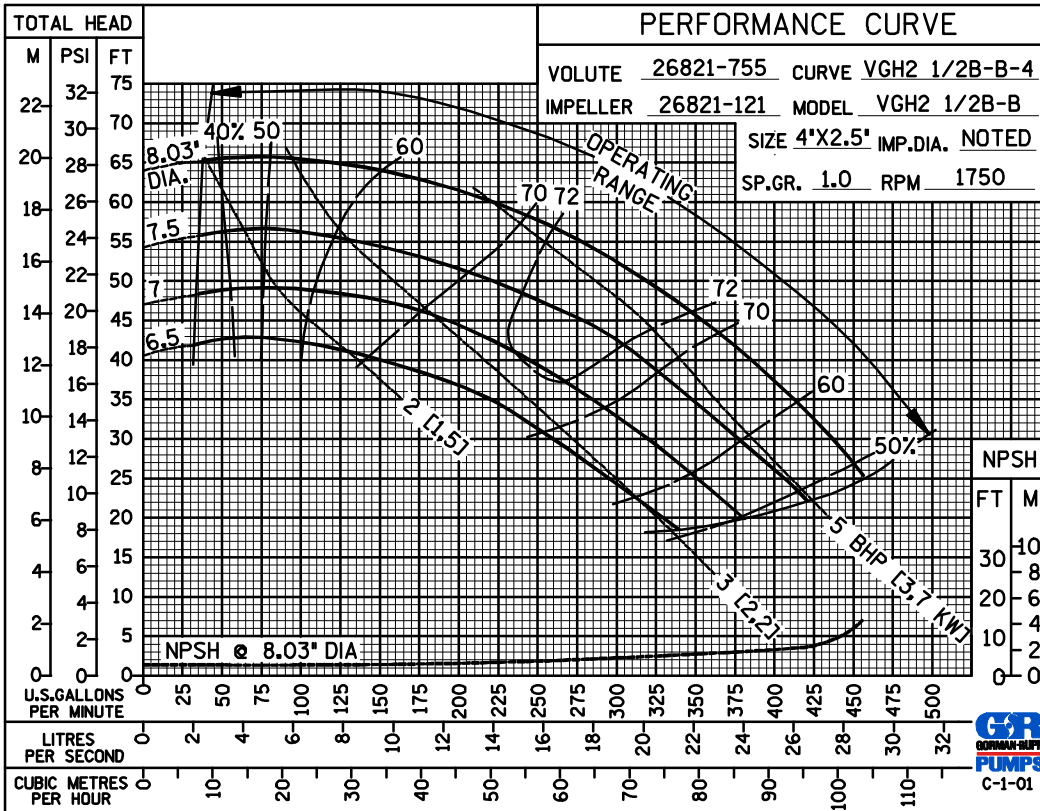
GORMAN-RUPP PUMPS

www.grpumps.com

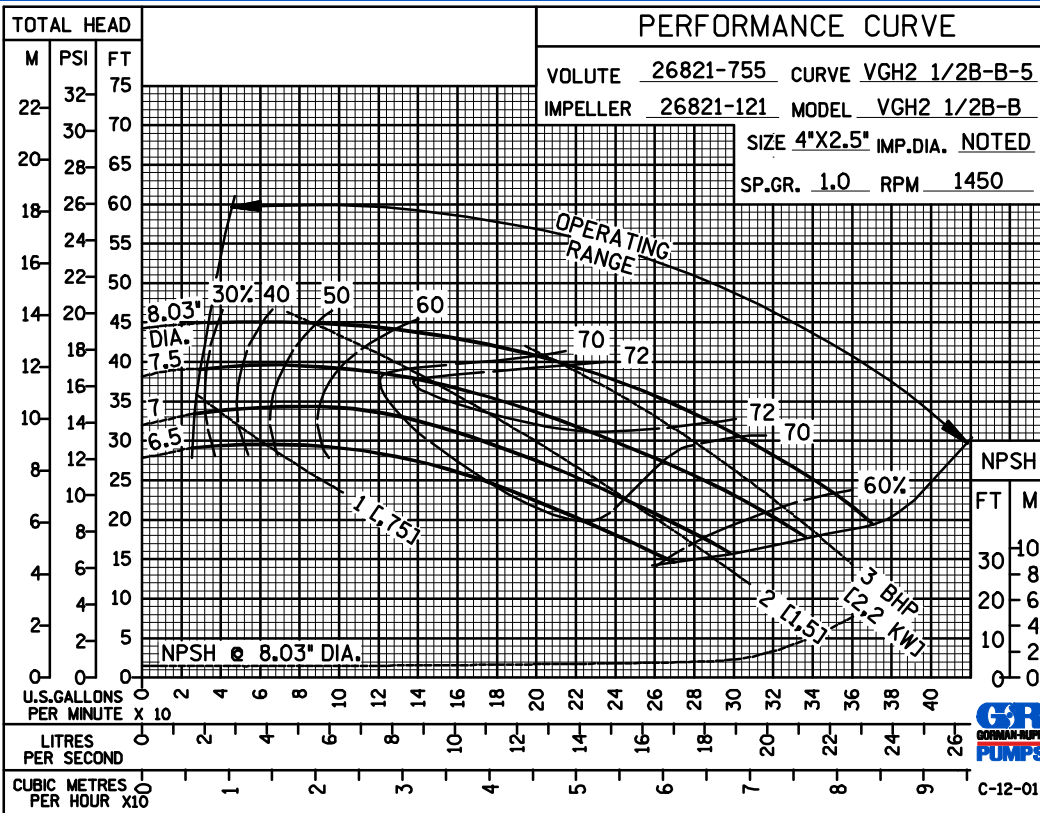
Specifications Subject to Change Without Notice

Printed in U.S.A.

PERFORMANCE  
BASED ON  
WATER



PERFORMANCE  
BASED ON  
WATER



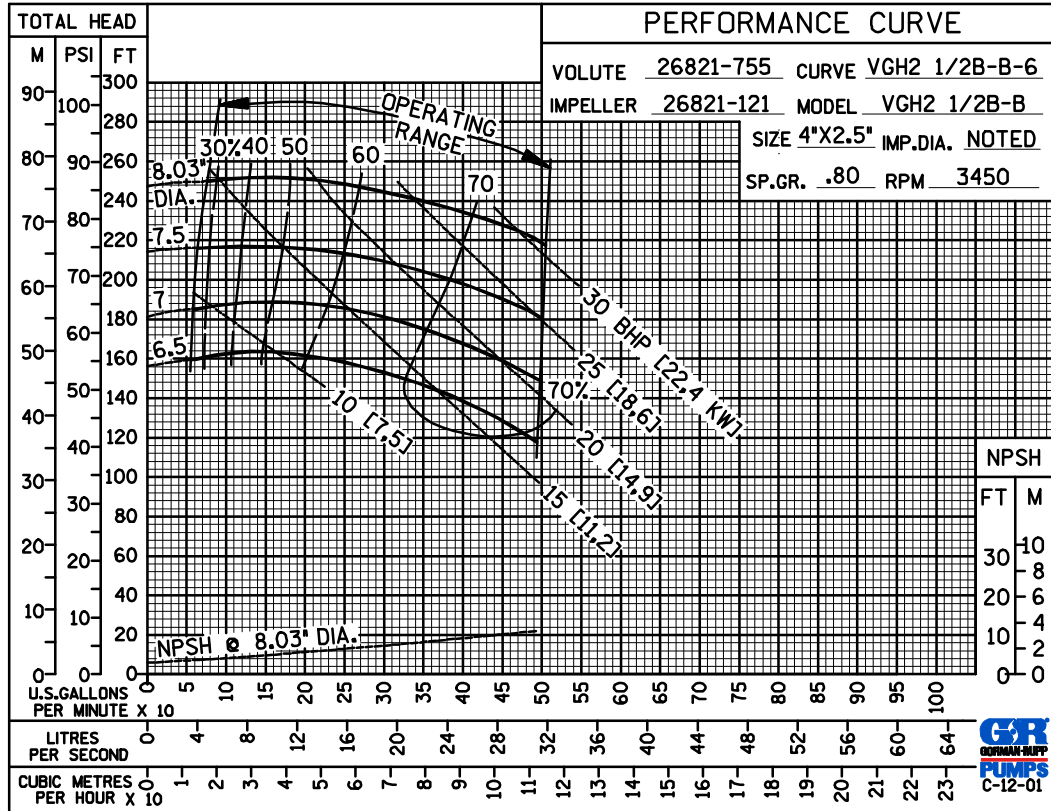
GORMAN-RUPP PUMPS

www.grpumps.com

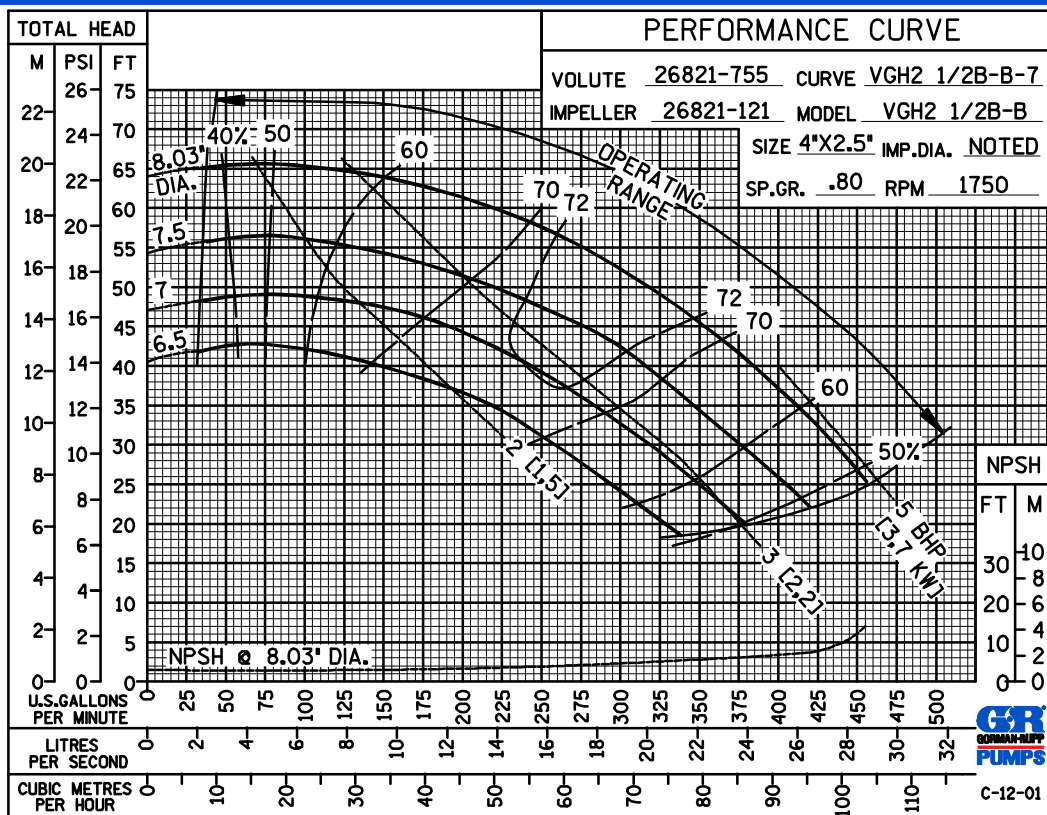
Specifications Subject to Change Without Notice

Printed in U.S.A.

PERFORMANCE  
BASED ON  
PETROLEUM



PERFORMANCE  
BASED ON  
PETROLEUM



GORMAN-RUPP PUMPS

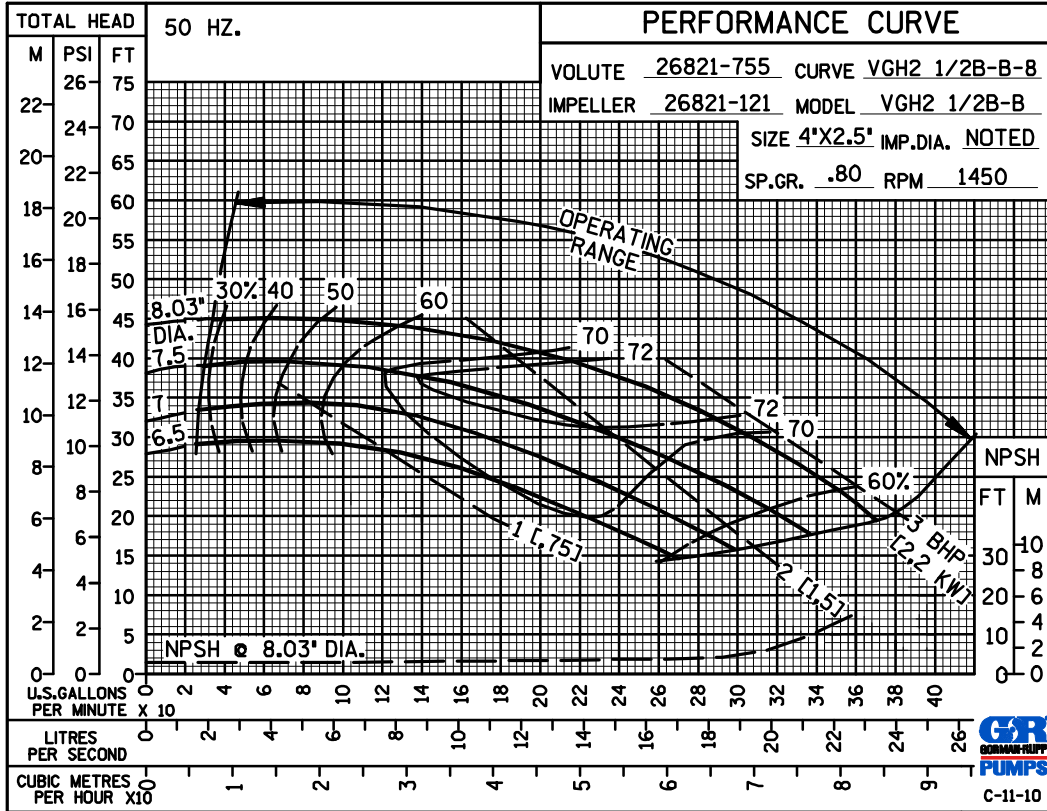
www.grpumps.com

Specifications Subject to Change Without Notice

Printed in U.S.A.



50 HERTZ  
PERFORMANCE  
BASED ON  
PETROLEUM



GORMAN-RUPP PUMPS

www.grpumps.com

Specifications Subject to Change Without Notice

Printed in U.S.A.