



Basic Pedestal

Standard Centrifugal Pump

Model VG4C3-B

Size 5" x 4"

PUMP SPECIFICATIONS

Size: 5" x 4" (127 mm x 102 mm) Flanged.

Casing: Gray Iron 40.

Maximum Operating Pressure 109 psi (752 kPa).*

Enclosed Type, Six Vane Impeller: Gray Iron 40.

Handles 11/16" (17,5 mm) Diameter Spherical Solids.

Impeller Shaft: Steel 1045.

Shaft Sleeve: Stainless Steel 420.

Seal Plate: Gray Iron 40.

Bearing Housing: Gray Iron 40.

Radial Bearing: Open Single Row Ball.

Thrust Bearing: Open Double Row Ball.

Bearing Lubrication: SAE 30 Non-Detergent Oil.

Gaskets: Nitrile Rubber.

O-Ring: Fluorocarbon (DuPont Viton® or Equivalent).

Hardware: Standard Plated Steel.

Oil Level Sight Gauge.

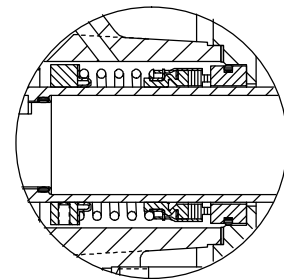
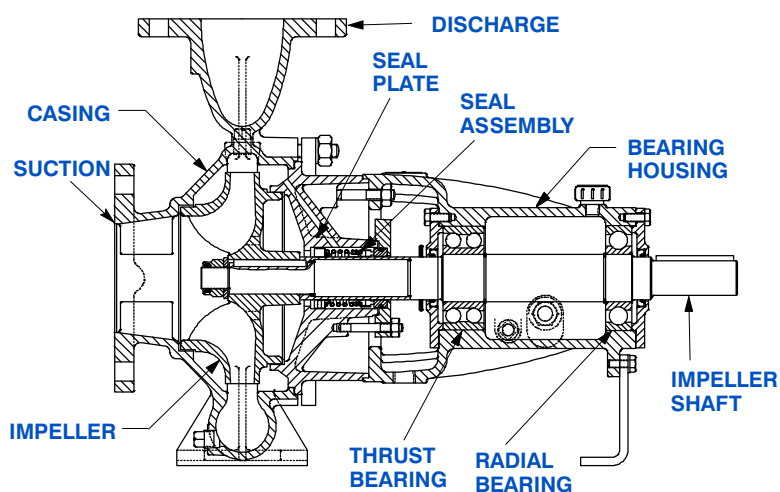
Optional Equipment: NPT Suction and Discharge Flanges.

Strainer. Stainless Steel Impeller. Mechanical Seal with

Fluorocarbon Elastomers (DuPont Viton® or Equivalent).

Manual Discharge Check Valve.

**Consult Factory for Applications Exceeding
Maximum Pressure and/or Temperature Indicated.*



SEAL DETAIL

Type 1, Mechanical, Self-Lubricated. Carbon Rotating Face. Ceramic Stationary Seat. Buna-N Elastomers. Stainless Steel Cage and Spring. Maximum Temperature of Liquid Pumped, 160°F (71°C).*



GORMAN-RUPP PUMPS

www.grpumps.com

Specifications Subject to Change Without Notice

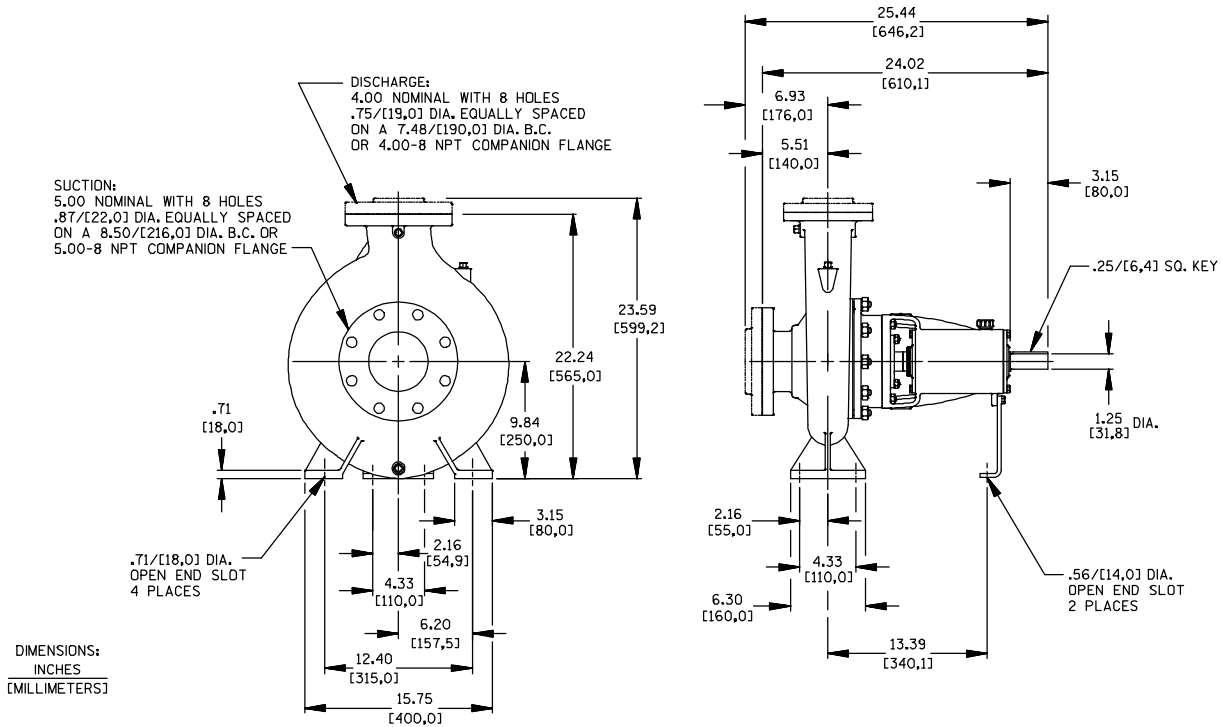
Printed in U.S.A.

Specification Data

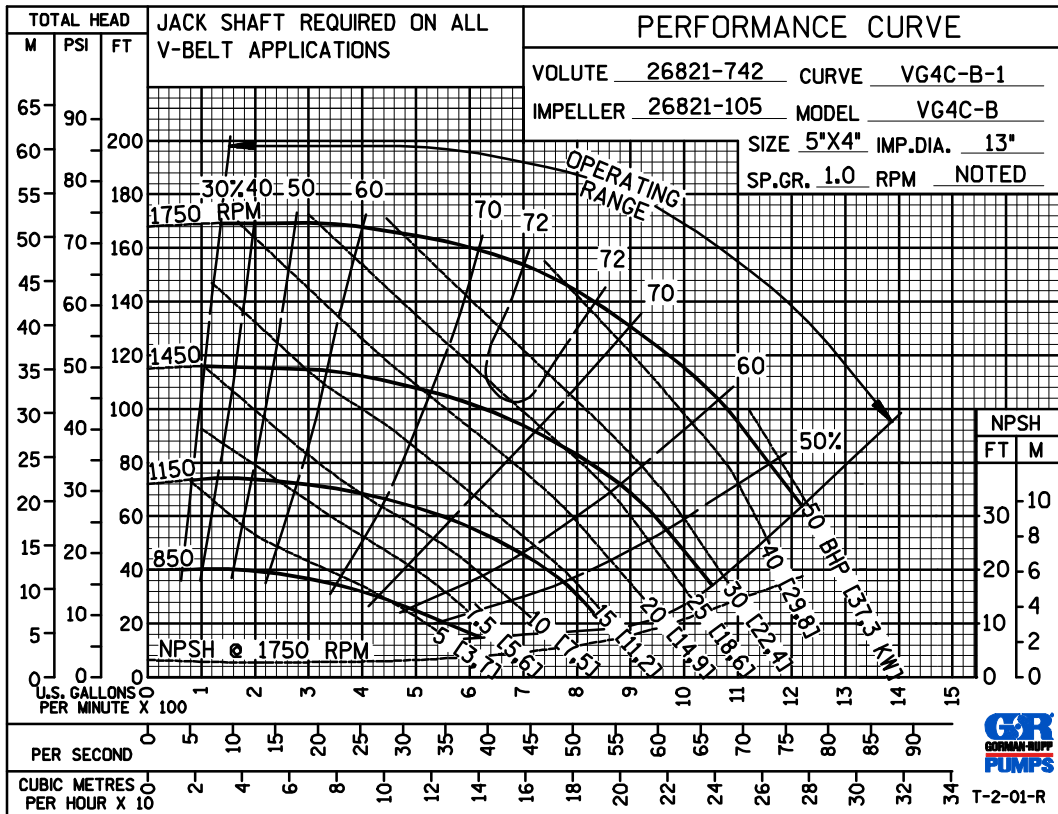
SECTION 70, PAGE 710

APPROXIMATE
DIMENSIONS and WEIGHTS

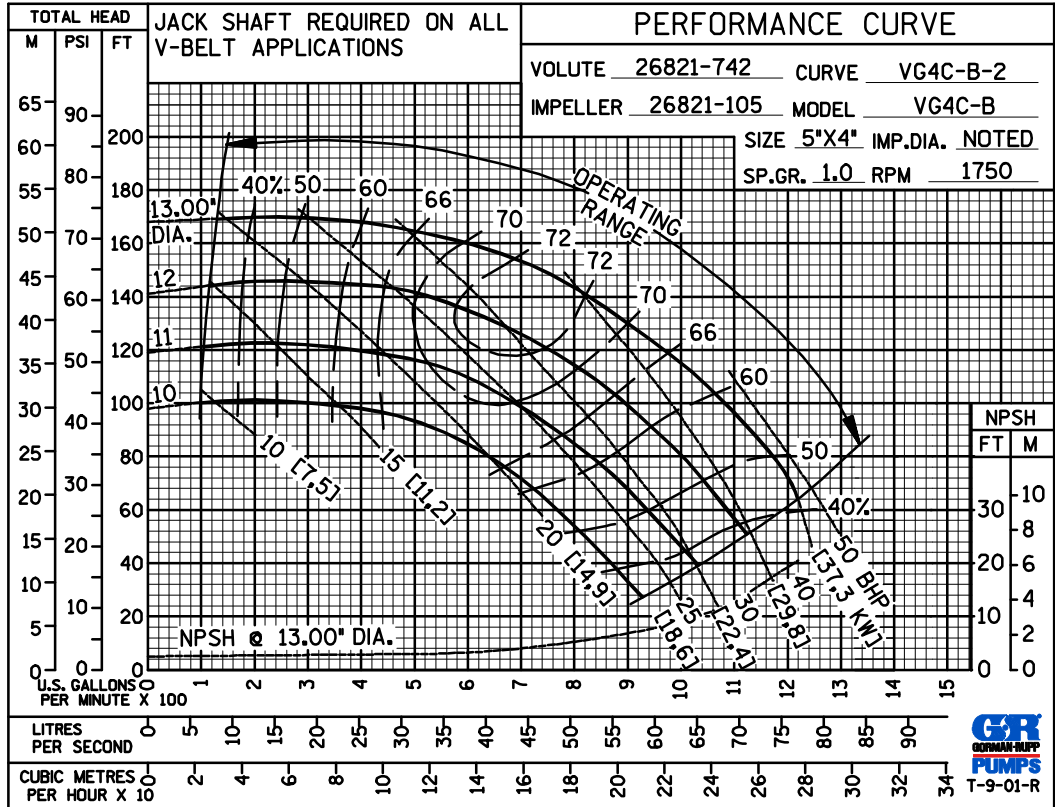
NET WEIGHT: 250 LBS. (113,3 KG.)
SHIPPING WEIGHT: 275 LBS. (124,7 KG.)
EXPORT CRATE SIZE: 11.9 CU. FT. (0,34 CU. M.)



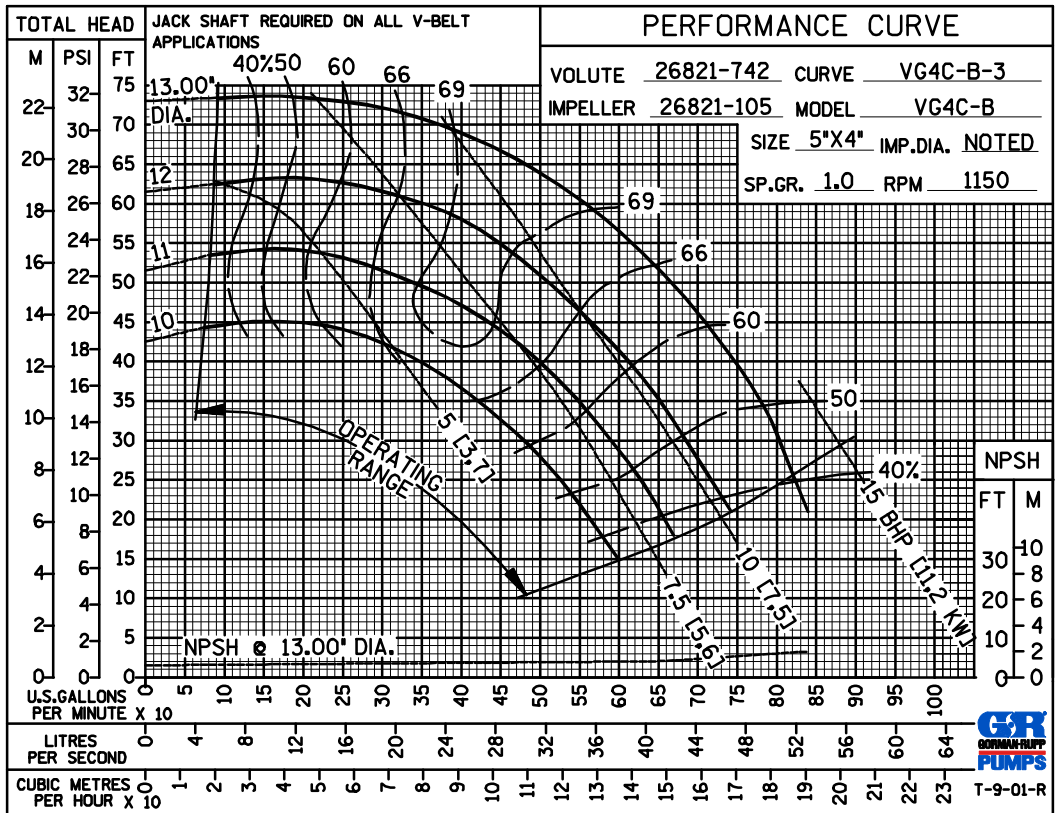
**PERFORMANCE
BASED ON
WATER**



PERFORMANCE
BASED ON
WATER



PERFORMANCE
BASED ON
WATER



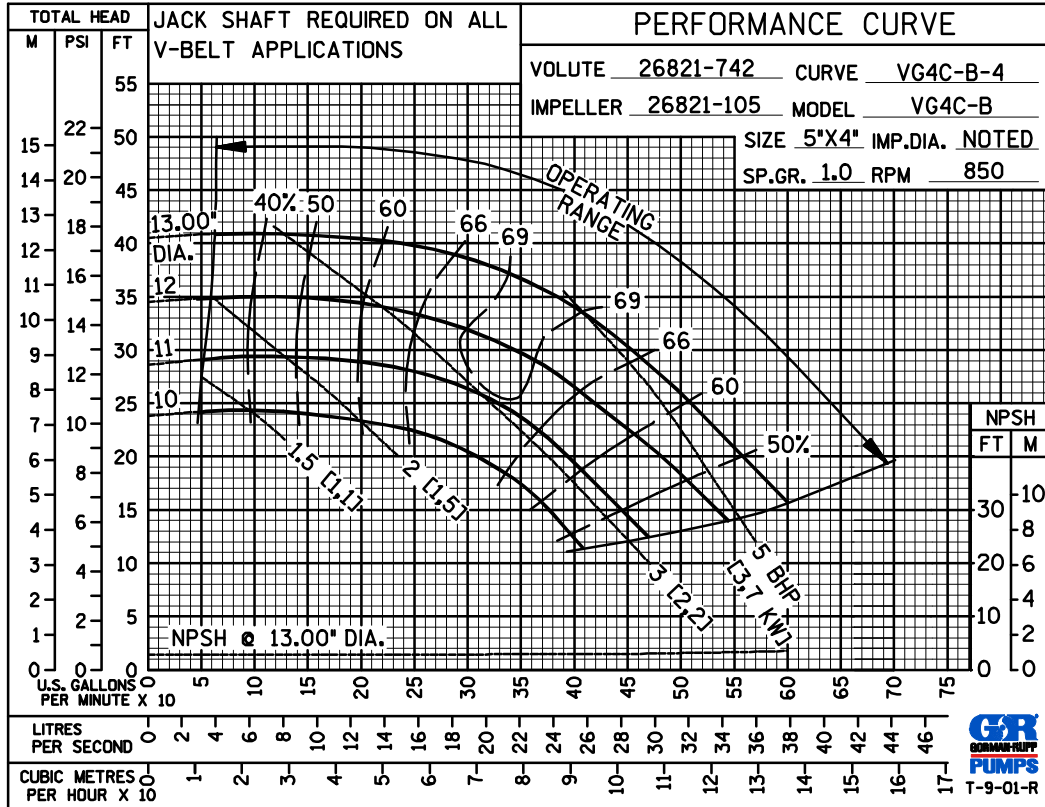
GORMAN-RUPP PUMPS

www.grpumps.com

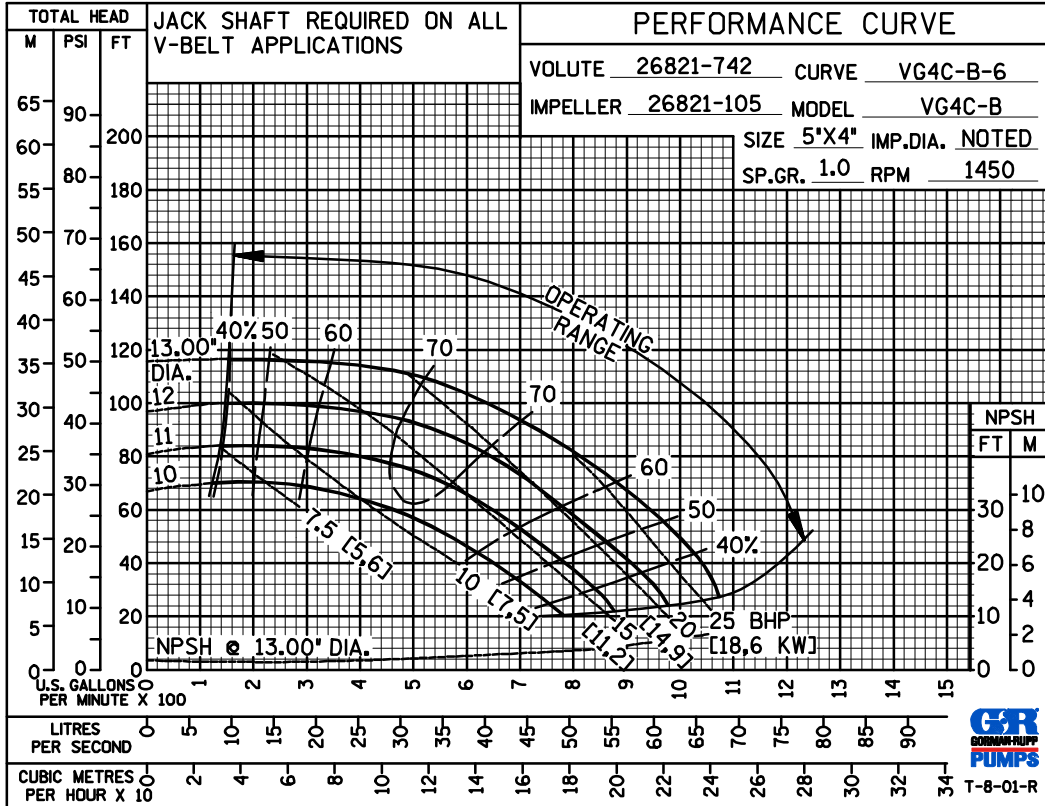
Specifications Subject to Change Without Notice

Printed in U.S.A.

PERFORMANCE
BASED ON
WATER



50 HERTZ
PERFORMANCE
BASED ON
WATER



GORMAN-RUPP PUMPS

www.grpumps.com

Specifications Subject to Change Without Notice

Printed in U.S.A.