



Standard Centrifugal Pump

Model VG4D3-B

Size 5" x 4"

PUMP SPECIFICATIONS

Size: 5" x 4" (127 mm x 102 mm) Flanged.

Casing: Gray Iron 40.

Maximum Operating Pressure 181 psi (1248 kPa).*

Enclosed Type, Six Vane Impeller: Gray Iron 40.

Handles 5/8" (15,9 mm) Diameter Spherical Solids.

Impeller Shaft: Steel 1045.

Shaft Sleeve: Stainless Steel 420.

Seal Plate: Gray Iron 40.

Bearing Housing: Gray Iron 40.

Radial Bearing: Open Single Row Ball.

Thrust Bearing: Open Double Row Ball.

Bearing Lubrication: SAE 30 Non-Detergent Oil.

Gaskets: Nitrile Rubber.

O-Ring: Fluorocarbon (DuPont Viton® or Equivalent).

Hardware: Standard Plated Steel.

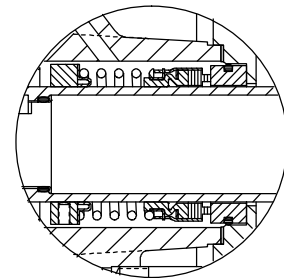
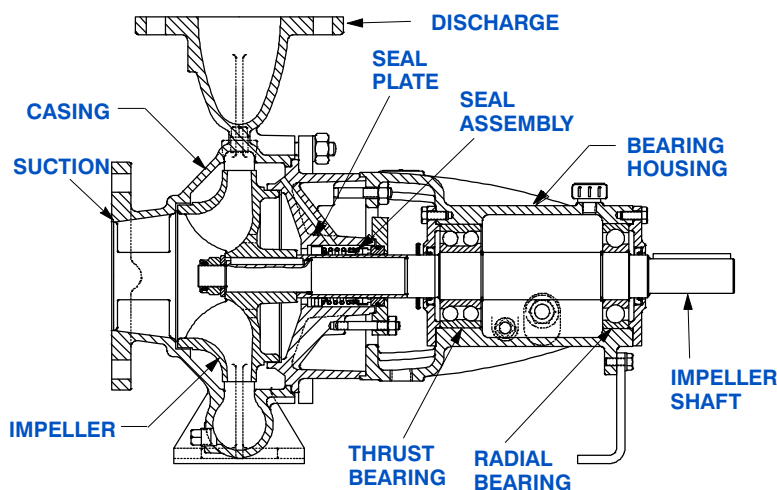
Oil Level Sight Gauge.

Optional Equipment: NPT Suction and Discharge Flanges.

Strainer. Stainless Steel Impeller. Mechanical Seal with Fluorocarbon Elastomers (DuPont Viton® or Equivalent). Manual Discharge Check Valve.



**Consult Factory for Applications Exceeding Maximum Pressure and/or Temperature Indicated.*



SEAL DETAIL

Type 1, Mechanical, Self-Lubricated. Carbon Rotating Face. Ceramic Stationary Seat. Buna-N Elastomers. Stainless Steel Cage and Spring. Maximum Temperature of Liquid Pumped, 160°F (71°C).*



GORMAN-RUPP PUMPS

www.grpumps.com

Specifications Subject to Change Without Notice

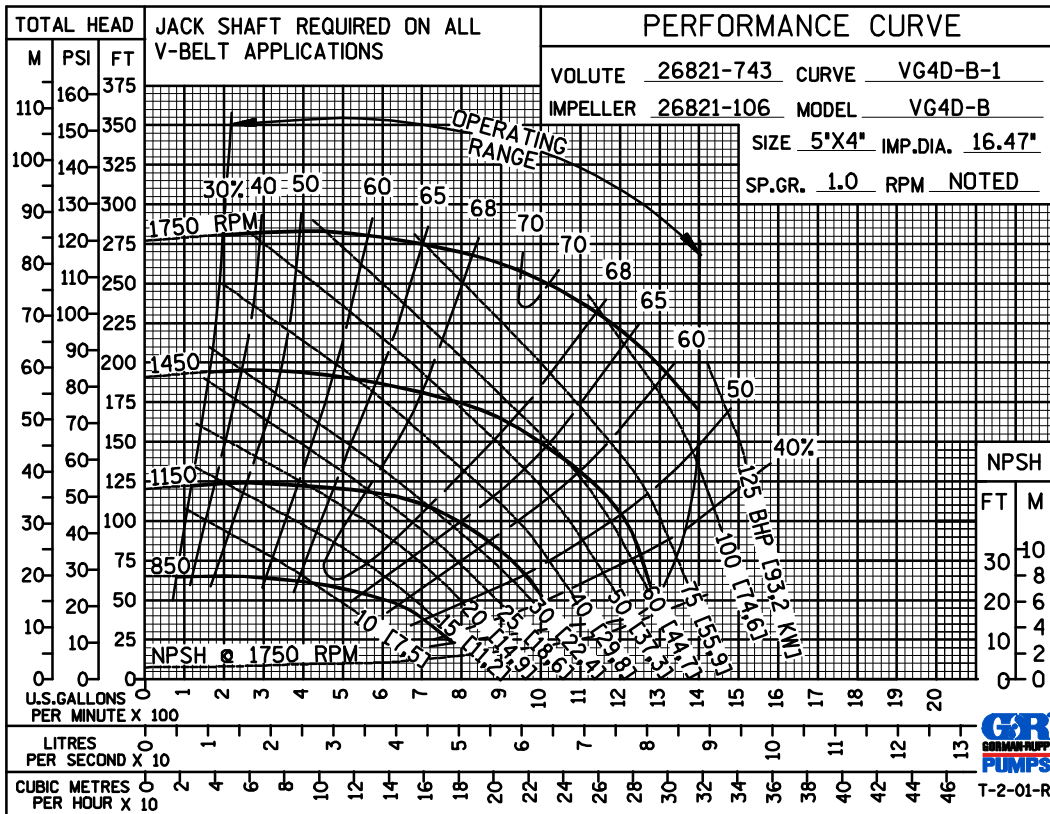
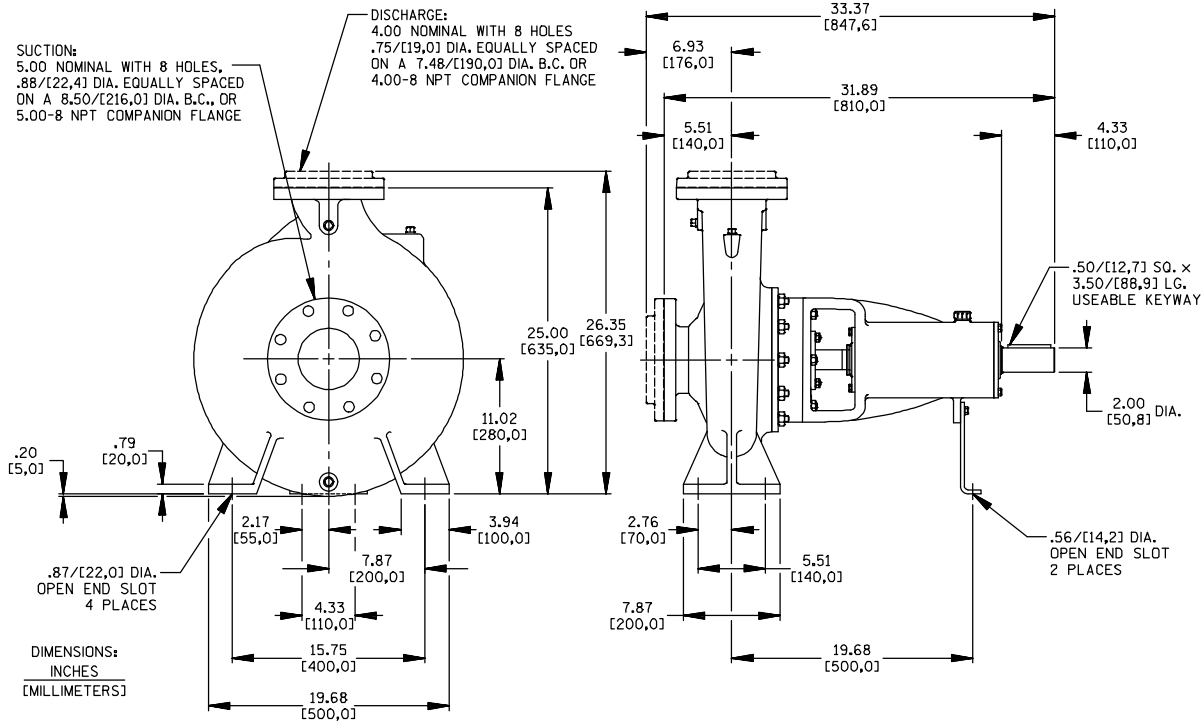
Printed in U.S.A.

Specification Data

SECTION 70, PAGE 820

APPROXIMATE DIMENSIONS and WEIGHTS

NET WEIGHT: 508 LBS. (230,4 KG.)
SHIPPING WEIGHT: 550 LBS. (257,6 KG.)
EXPORT CRATE SIZE: 13 CU. FT. (0,37 CU. M.)



PERFORMANCE
 BASED ON
 WATER



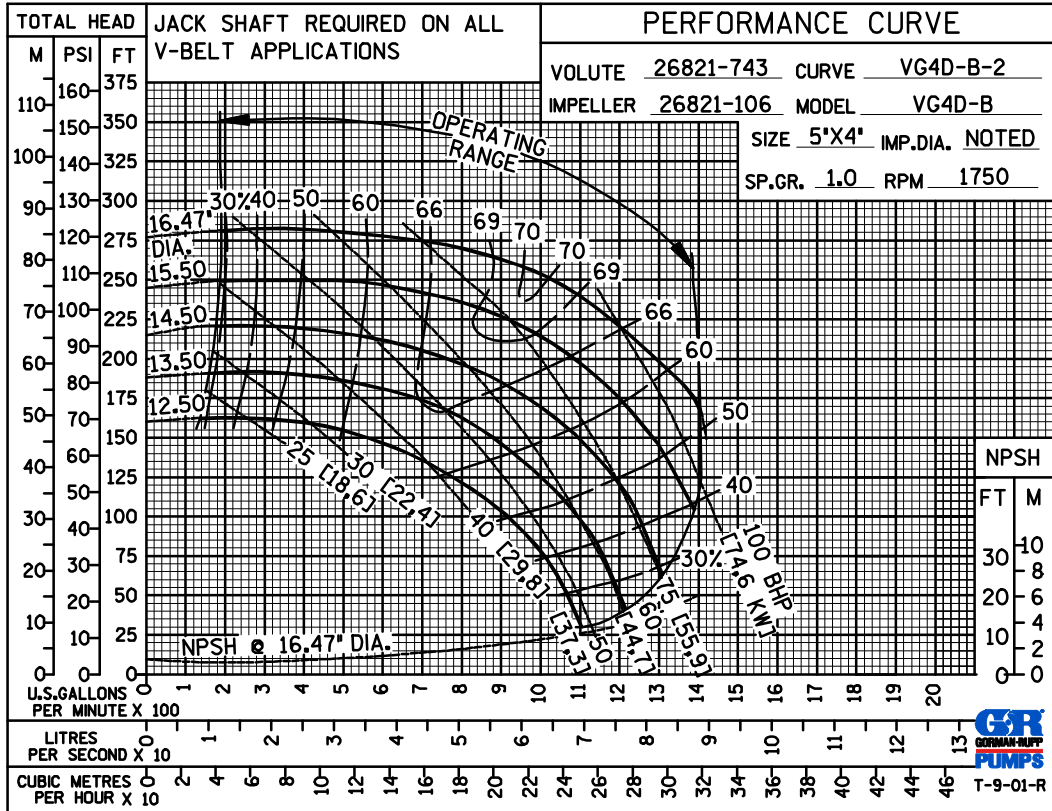
GORMAN-RUPP PUMPS

www.grpumps.com

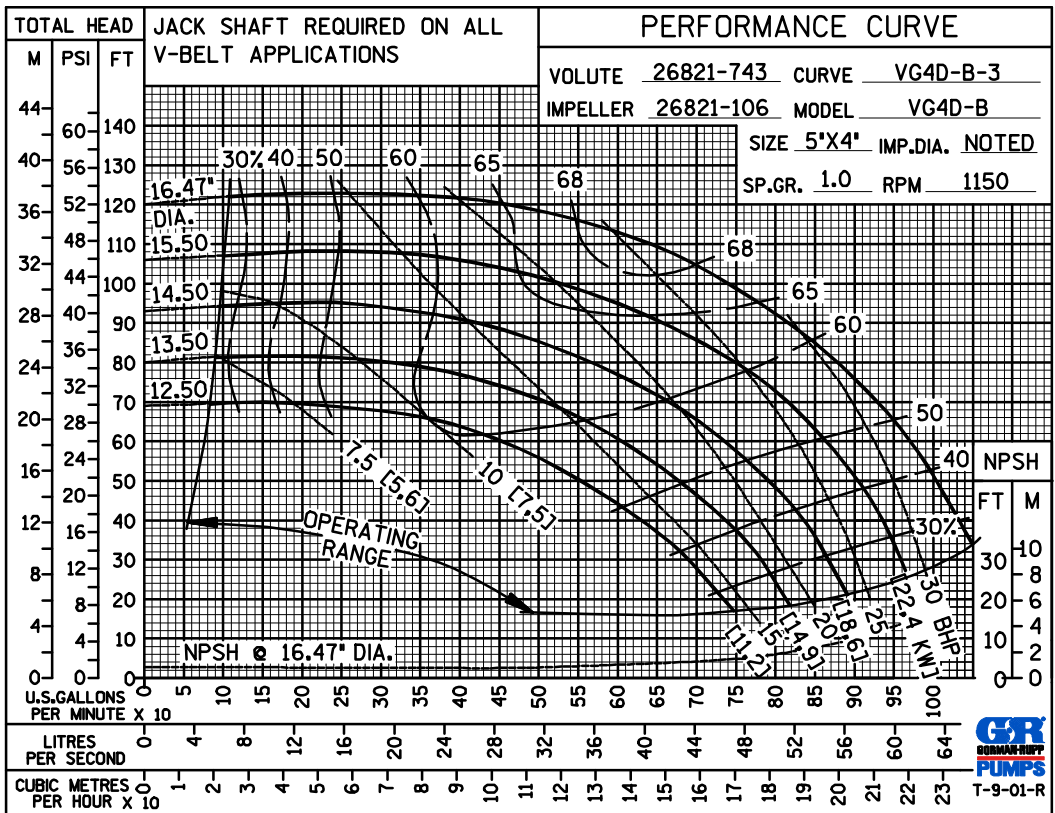
Specifications Subject to Change Without Notice

Printed in U.S.A.

PERFORMANCE
BASED ON
WATER



PERFORMANCE
BASED ON
WATER



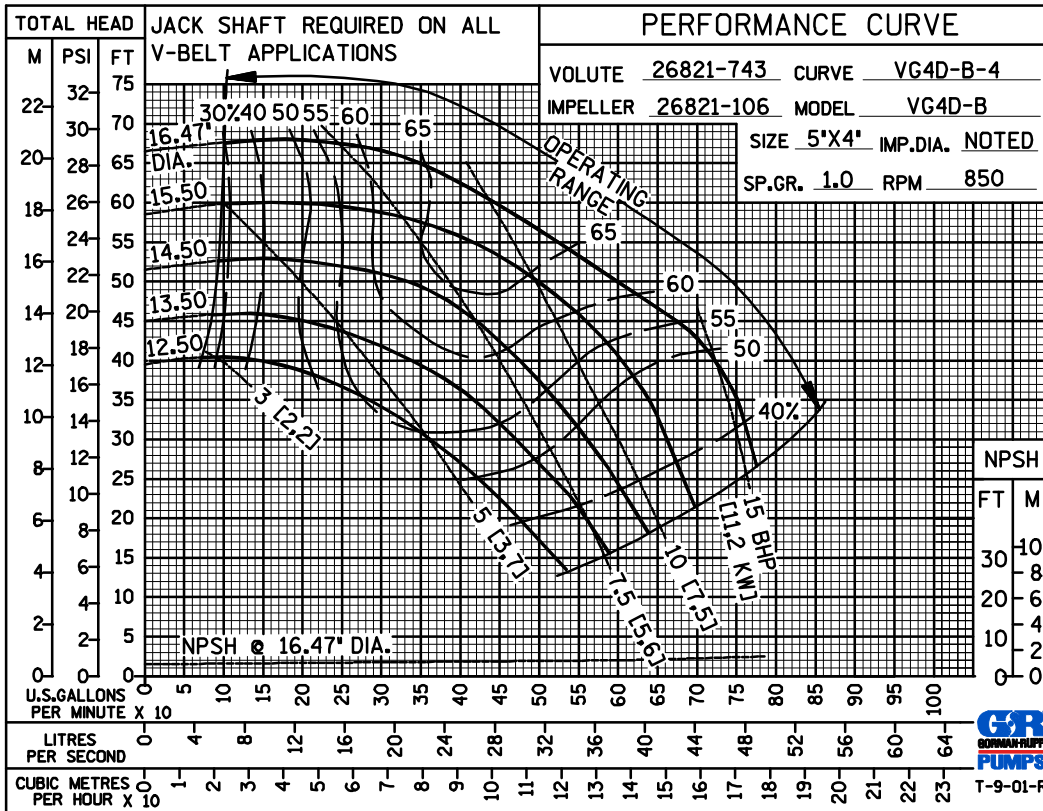
GORMAN-RUPP PUMPS

www.grpumps.com

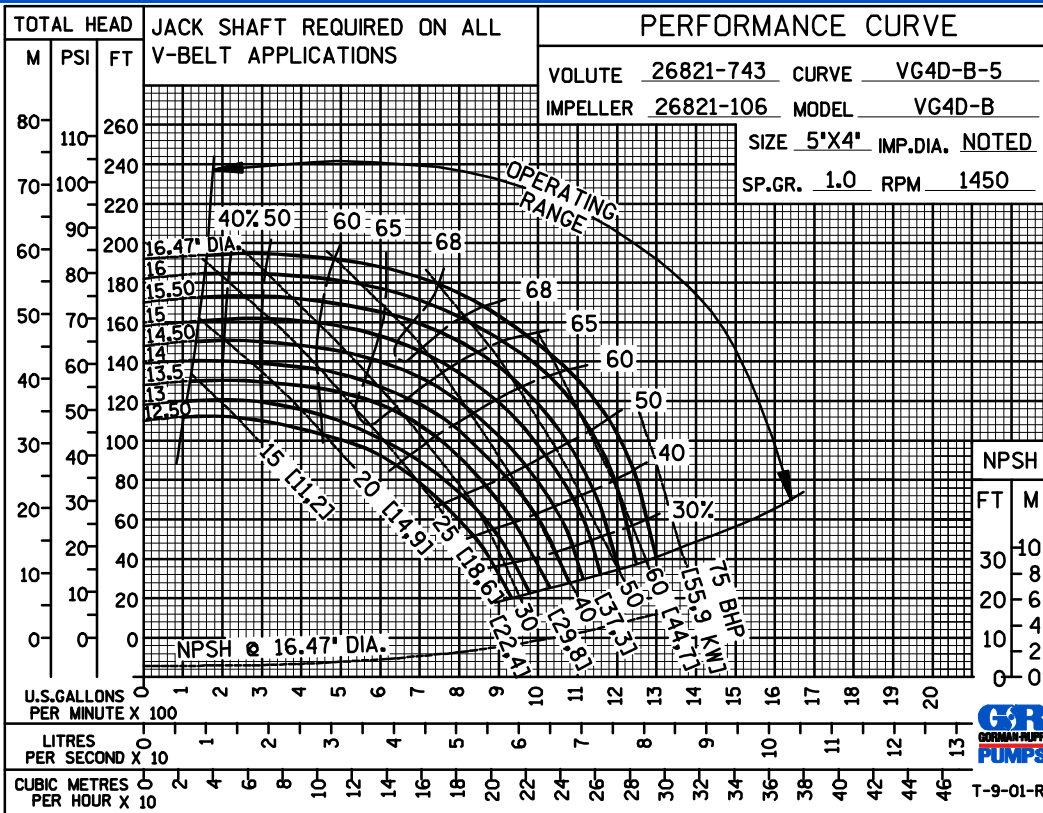
Specifications Subject to Change Without Notice

Printed in U.S.A.

PERFORMANCE
BASED ON
WATER



50 HERTZ
PERFORMANCE
BASED ON
WATER



GORMAN-RUPP PUMPS

www.grpumps.com

Specifications Subject to Change Without Notice

Printed in U.S.A.