



Self Priming Diaphragm Pump

Models 3D-X1.5 1P and 3D-X1.5 3P

Size 3" or 2" x 3"



PUMP SPECIFICATIONS

Size: 3" or 2" x 3" (76 mm or 51 mm x 76 mm) NPT - Female.

Handles 2 1/4" (57,2 mm) Diameter Spherical Solids
with 3" (76 mm) NPT Suction.

Suction Chamber: Aluminum 356-T6.

Discharge Flange: Aluminum 356-T6.

Gaskets: Neoprene, Composite Cork and Fiber.

Eccentric Cam: Gray Iron 40.

Eccentric Bearing: Brass C83600.

Eccentric Cap: Aluminum 356-T6.

Bearing Housing: Aluminum 356-T6.

Gearbox Housing: Aluminum 356-T6.

Drive Pinion: Alloy Steel 8620.

Pinion Shaft: Alloy Steel 4320.

Plunger Spring: Spring Steel 5160.

Drive Shaft: Carbon Steel 1020.

Diaphragm: DuraBlue® Elastomer.

Diaphragm Pot: Aluminum 356-T6.

Diaphragm Ring: Aluminum 356-T6.

Upper Diaphragm Plate: Gray Iron 30.

Lower Diaphragm Plate: Gray Iron 40.

Flap Valve Seats: Gray Iron 30.

Flap Valves: Neoprene.

Flap Valve Weights: Aluminum 356-T6 and Carbon Steel
ASTM A589.

PUMP DATA

Maximum RPM: 60.

BHP Required: 1.5.

Gear Ratio: 30.36:1.

Mounting: Wheel Kit w/Semi-Pneumatic Tires.

Standard Equipment: Strainer. Fiberglass Eccentric
Guard. Flexible Coupling w/Guard.

Optional Equipment: Stationary Base. Buna-N or
Neoprene Diaphragm.

MOTOR SPECIFICATIONS

Type: Explosion Proof.

Horsepower: 1.5.

Frame Size: 145T.

Voltage:

3D-X1.5 1P; Single Phase, 115/230 Volts, 60 Hertz.

3D-X1.5 3P; Three Phase, 230/460 Volts, 60 Hertz.

RPM: 1800.



GORMAN-RUPP PUMPS

www.grpumps.com

Specifications Subject to Change Without Notice

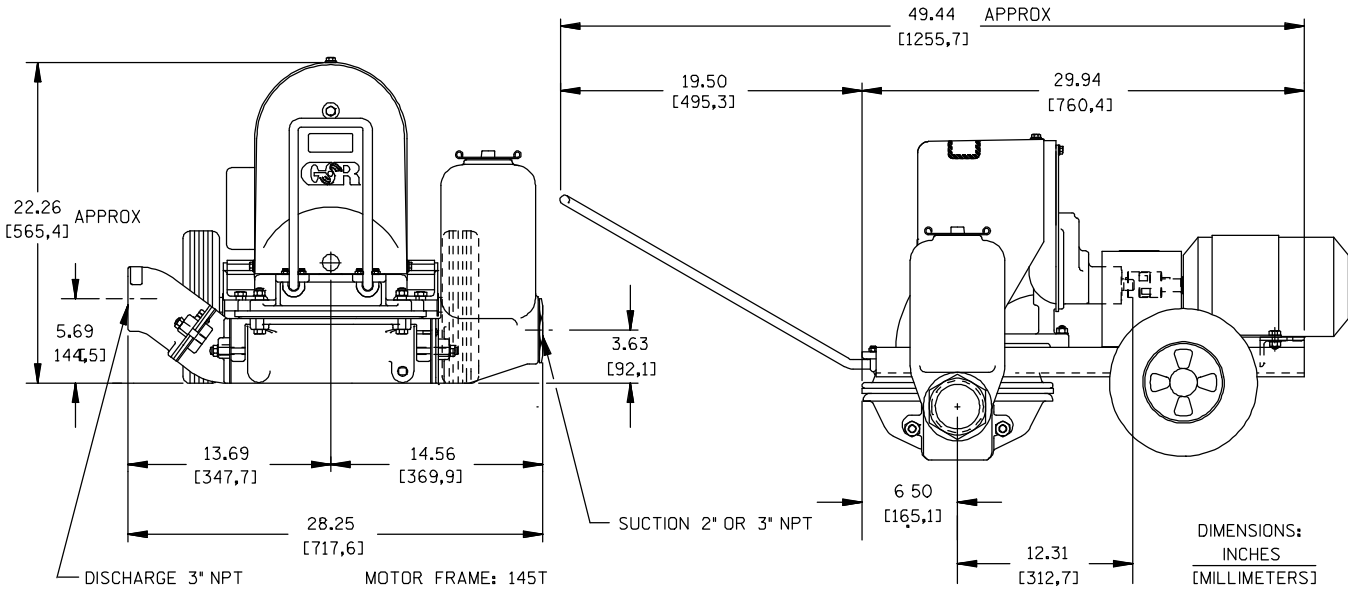
Printed in U.S.A.

Specification Data

SECTION 120, PAGE 210

APPROXIMATE
DIMENSIONS and
WEIGHTS

	STATIONARY BASE	2-WHEEL
PUMP NET WEIGHT:	270 LBS. (122,5 KG.)	250 LBS. (113,4 KG.)
SHIPPING NET WEIGHT:	320 LBS. (145,1 KG.)	300 LBS. (136,1 KG.)
EXPORT CRATE SIZE:	26.3 CU. FT. (0,74 CU. M.)	24.3 CU. FT. (0,69 CU. M.)



3D PUMP PERFORMANCE

IN GALLONS PER MINUTE AT 60 STROKES PER MINUTE				
STATIC LIFT IN FEET	STATIC DISCHARGE HEAD IN FEET			
	5	10	15	20
5	78	67	66	68
10	73	64	66	62
15	68	60	64	59
20	64	59	65	59
25	56	56	60	56

IN LITERS PER MINUTE AT 60 STROKES PER MINUTE				
STATIC LIFT IN METERS	STATIC DISCHARGE HEAD IN METERS			
	1,5	3,0	4,6	6,1
1,5	295,2	253,6	249,8	257,4
3,0	276,3	242,2	249,8	234,7
4,6	257,4	227,1	242,2	223,3
6,1	242,2	223,3	246,0	223,3
7,6	212,0	212,0	227,1	212,0

Above Performance with 70°F (21°C)*Clear Water at Sea Level
Using 2 in. (5,1 cm) Suction Hose and 3 in. (7,6 cm) Non-Collapsible Discharge Hose.



GORMAN-RUPP PUMPS

www.grpumps.com

Specifications Subject to Change Without Notice

Printed in U.S.A.