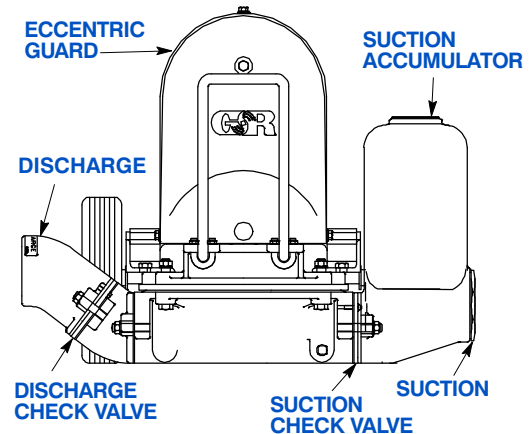
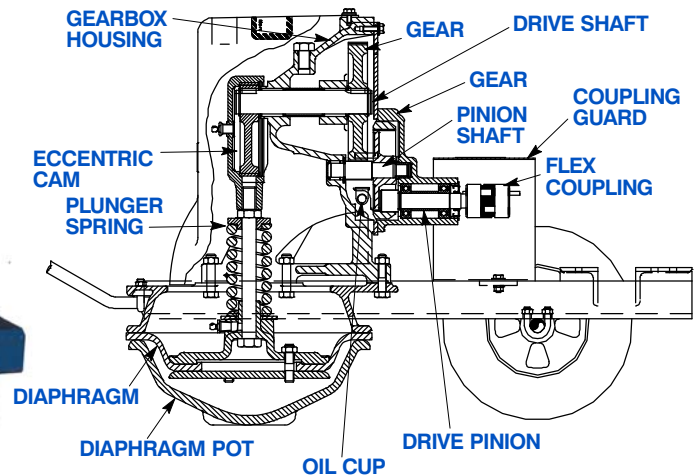


Self Priming Diaphragm Pump



Model 3D-B

Size 3" or 2" x 3"



PUMP SPECIFICATIONS

Size: 3" or 2" x 3" (76 mm or 51 mm x 76 mm)NPT - Female.
Handles 2 1/4" (57,2 mm) Diameter Spherical Solids
with 3" (76 mm) NPT Suction.

Suction Chamber: Aluminum 356-T6.

Discharge Flange: Aluminum 356-T6.

Gaskets: Neoprene, Composite Cork and Fiber.

Eccentric Cam: Gray Iron 40.

Eccentric Bearing: Brass C83600.

Eccentric Cap: Aluminum 356-T6.

Bearing Housing: Aluminum 356-T6.

Gearbox Housing: Aluminum 356-T6.

Drive Pinion: Alloy Steel 8620.

Pinion Shaft: Alloy Steel 4320.

Plunger Spring: Spring Steel 5160.

Drive Shaft: Carbon Steel 1020.

Diaphragm: DuraBlue® Elastomer.

Diaphragm Pot: Aluminum 356-T6.

Diaphragm Ring: Aluminum 356-T6.

Upper Diaphragm Plate: Gray Iron 30.

Lower Diaphragm Plate: Gray Iron 40.

Flap Valve Seats: Gray Iron 30.

Flap Valves: Neoprene.

Flap Valve Weights: Aluminum 356-T6 and Carbon Steel ASTM
A589.

PUMP DATA

Maximum RPM: 60.

BHP Required: 1.5.

Gear Ratio: 30.36:1.

Mounting: Wheel Kit ^{w/}Semi-Pneumatic Tires.

Standard Equipment: Strainer.

Fiberglass Eccentric Guard.

Flexible Coupling ^{w/}Guard.

Optional Equipment: Stationary Base.

Buna-N or Neoprene Diaphragm.



GORMAN-RUPP PUMPS

www.grpumps.com

Specifications Subject to Change Without Notice

Printed in U.S.A.

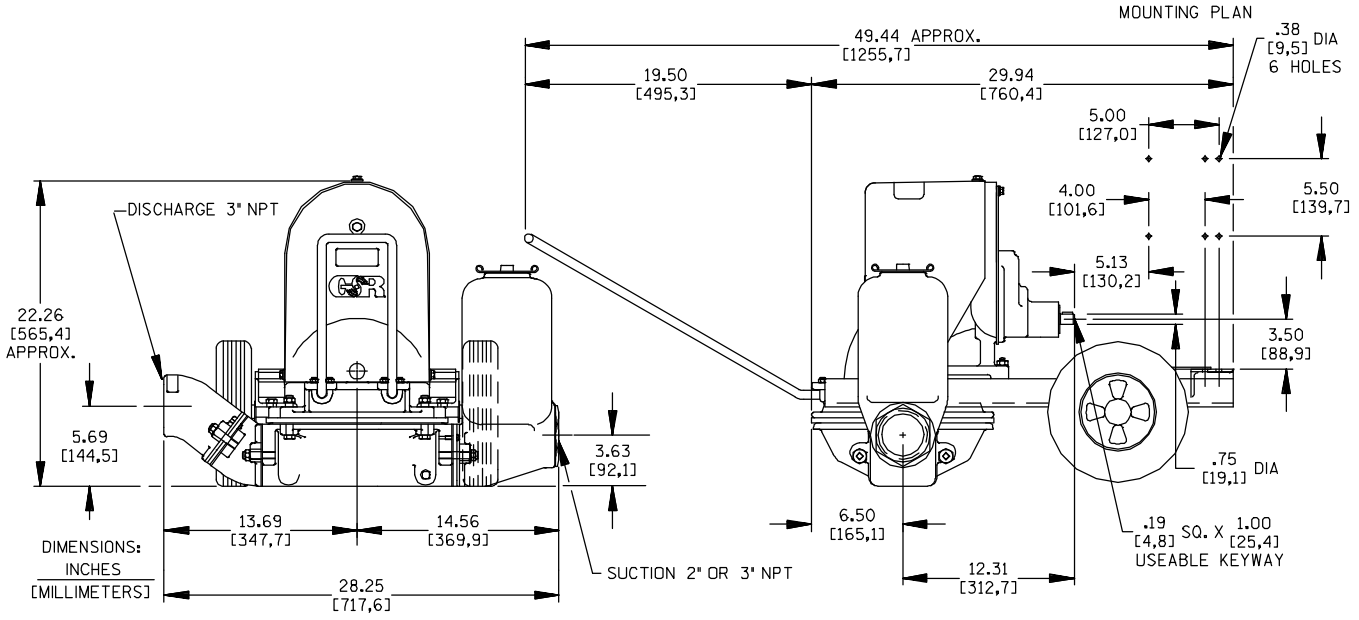
Specification Data

SECTION 120, PAGE 250

APPROXIMATE DIMENSIONS and WEIGHTS

PUMP NET WEIGHT:
SHIPPING NET WEIGHT:
EXPORT CRATE SIZE

161 LBS. (73,0 KG.)
174 LBS. (78,9 KG.)
21.2 CU. FT. (0,6 CU. M.)



3D PUMP PERFORMANCE

IN GALLONS PER MINUTE AT 60 STROKES PER MINUTE

STATIC LIFT IN FEET	STATIC DISCHARGE HEAD IN FEET			
	5	10	15	20
5	78	67	66	68
10	73	64	66	62
15	68	60	64	59
20	64	59	65	59
25	56	56	60	56

IN LITERS PER MINUTE AT 60 STROKES PER MINUTE

STATIC LIFT IN METERS	STATIC DISCHARGE HEAD IN METERS			
	1,5	3,0	4,6	6,1
1,5	295,2	253,6	249,8	257,4
3,0	276,3	242,2	249,8	234,7
4,6	257,4	227,1	242,2	223,3
6,1	242,2	223,3	246,0	223,3
7,6	212,0	212,0	227,1	212,0

Above Performance with 70°F (21°C)*Clear Water at Sea Level
Using 2 in. (5,1 cm) Suction Hose and 3 in. (7,6 cm) Non-Collapsible Discharge Hose.



GORMAN-RUPP PUMPS

www.grpumps.com

Specifications Subject to Change Without Notice

Printed in U.S.A.