



# Submersible Pump

Electric Motor Driven

Model SE2K3-E1 115/1

Size 2"



## PUMP SPECIFICATIONS

**Pump Casing:** Gray Iron; Maximum Operating Pressure 33 psi (228 kPa).\*

**Impeller:** Gray Iron.

**Motor Housing:** Stainless Steel 304.

**Rotor Shaft:** Stainless Steel 304.

**Upper and Lower Bearings:** Open Single Row Ball.

**O-Rings:** Buna-N.

**Wetted Hardware:** Stainless Steel 304.

**Lip Seal:** Buna-N.

**Strainer:** Stainless Steel 304, 0.25" x 0.38" (6,4 x 9,5 mm) Dia. Oval Openings.

**Standard Equipment:** Lifting Handle. 2" (51 mm) NPT Discharge Adaptor. Built-In Thermal Overload Protection.

**Optional Equipment:** Liquid Level Control; 90° Wide Angle with Float Switch #27471-192. 50 Ft. (15 m) Long, Series Tap Plug-in, Type 14/2 SJOW/SJOW-A Neoprene Cord.



## MOTOR/CABLE SPECIFICATIONS

**MOTOR:** 1 HP; 3400 RPM; 115 Volt, Single Phase, 60 Hz; 13 Full Load Amps.

**POWER CABLE:** 3 Wire; Type STOW (PVC); 14/3 AWG. 2 Power Conductors, 1 Ground. Nominal Length 50 Ft. (15 m)

**RECOMMENDED GENERATOR SIZE:** 4 Kw.

**WARNING!**

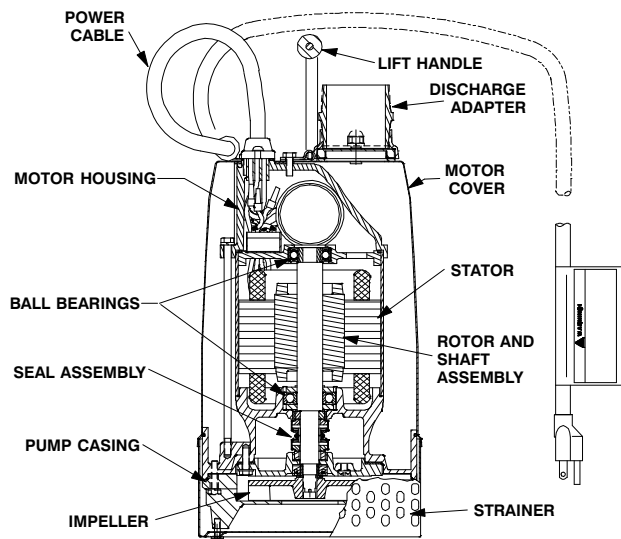
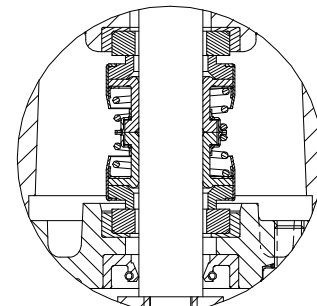
Do not use in explosive atmosphere or for pumping volatile flammable liquids.

## SEAL SPECIFICATIONS

Double, Mechanical, Oil Lubricated. Fluorocarbon Elastomers (DuPont Viton® or Equivalent). Upper Faces: Carbon and Ceramic Rotating and Stationary Faces. Lower Faces: Silicon Carbide and Ceramic Rotating and Stationary Faces.

Maximum Temperature of Liquid Pumped, 104°F (40°C).\*

## SEAL DETAIL



*\*Consult Factory for Applications Exceeding Maximum Pressure and/or Temperature Indicated.*



GORMAN-RUPP PUMPS

www.grpumps.com

Specifications Subject to Change Without Notice

Printed in U.S.A.

