

Electric Motor Driven
Stainless Steel

Submersible Pump

Model S2B65-E2

Size 2"



PUMP SPECIFICATIONS

Suction Casing: Stainless Steel CD4MCu;

Maximum Operating Pressure 39 psi (269 kPa).*

Impeller: Stainless Steel CD4MCu.

Seal Plate: Stainless Steel CD4MCu.

Intermediate: Aluminum Alloy 356-T6.

Motor Housing: Stainless Steel 316.

Motor Shaft: Stainless Steel 316.

Bearings: Upper and Lower, Open Single Row Ball.

Discharge Flange: Stainless Steel 316.

Gaskets: Buna-N and Compressed Synthetic Fibers.

O-Rings: Buna-N and Fluorocarbon (DuPont Viton® or Equivalent).

Wetted Hardware: Stainless Steel 316.

Strainer: Stainless Steel 316; 52% Open Area,

0.375" (9,5 mm) Diameter Openings.

Hoisting Bail: Stainless Steel 316.

Standard Equipment

NEMA Type 3R Rainproof Control Box. (See Section 130, Pages 80 and 85.)

Provides On-Off, Circuit Breaker and Motor Overload Protection.

Optional Equipment

Liquid Level Control: (See Sec. 130, Page 150.)

a. Turtle Type Pressure Activated Level Switch.

b. Float Activated Level Switch.

Staging Adapter Kit.

MOTOR/CABLE SPECIFICATIONS

Motor: Oil Filled Enclosure. 2.0 H.P.; 3450 R.P.M.; 60 Hz.

Single Phase: 115/230 Volt, 28.0/12.0, Full Load AMPS, 2.6/2.4 kW (Max.)

Three Phase: 230/460/575 Volt, 7.2/3.6/2.9 Full Load AMPS, 2.2 kW (Max.)

Power Cable: CPE/CSPE Jacket. Type SO/SOW/SOOW;

(115V) 4 Wire; 10 AWG; 3 Power Conductors, Plus 1 Ground.

(230V, 460V and 575V) 4 Wire; 14 AWG; 3 Power Conductors,

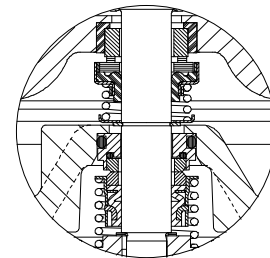
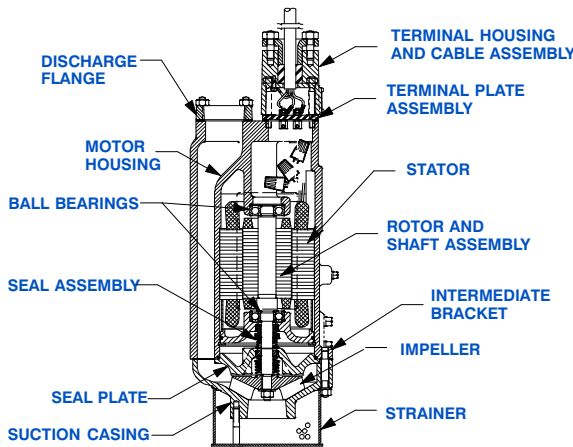
Plus 1 Ground.

Nominal Length 50 Feet (15 m) Standard.

(Specify Alternate Length at Time of Order.)

Recommended Generator Size: 6 kW Across the Line Start.

* Consult Factory for Applications Exceeding Maximum Pressure and/or Temperature Indicated.



SEAL SPECIFICATIONS

Tandem, Oil Lubricated.

Upper: Type 21 Mechanical. Carbon Rotating Face. Ceramic Stationary Face. Buna-N Elastomers. Stainless Steel 18-8 Cage and Spring.

Lower: Type 2, Mechanical. Silicon Carbide Rotating and Stationary Faces. Fluorocarbon Elastomers (DuPont Viton® or Equivalent). Stainless Steel 316 Cage, Spring and Stationary Seat.

Maximum Temperature of Liquid Pumped 122°F (50°C).*



GORMAN-RUPP PUMPS

www.grpumps.com

Specifications Subject to Change Without Notice

Printed in U.S.A.

