

Electric Motor Driven Submersible Pump

Model S2E1

Size 2"



PUMP SPECIFICATIONS

Suction Casing: Gray Iron 30;

Maximum Operating Pressure 47 psi (324 kPa).*

Impeller: Manganese Bronze Alloy C86500.

Seal Plate: Gray Iron 30.

Intermediate: Aluminum Alloy 356-T6.

Motor Housing: Aluminum Alloy 356-T6.

Motor Shaft: Stainless Steel 17-4 PH.

Bearings: Upper and Lower, Open Single Row Ball.

Discharge Flange: Aluminum Alloy 356-T6.

Gaskets: Cork with Nitrile Binder (NC710).

O-Rings: Buna-N.

Wetted Hardware: Standard Plated Steel and Stainless Steel.

Strainer: Urethane Coated Steel; 47% Open Area,
0.31" (7.9 mm) Diameter Openings.

Hoisting Bail: Urethane Coated Steel.

Standard Equipment

NEMA Type 3R Rainproof Control Box. (See Section 130, Pages 80 and 85.)

Provides On-Off, Circuit Breaker and Motor Overload Protection.

Optional Equipment

Liquid Level Control: (See Sec. 130, Page 150.)

- Turtle Type Pressure Activated Level Switch.
- Float Activated Level Switch.

Staging Adapter Kit.

MOTOR/CABLE SPECIFICATIONS

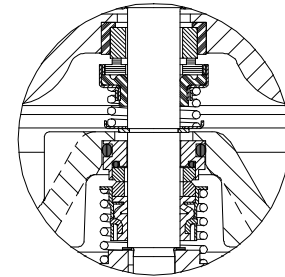
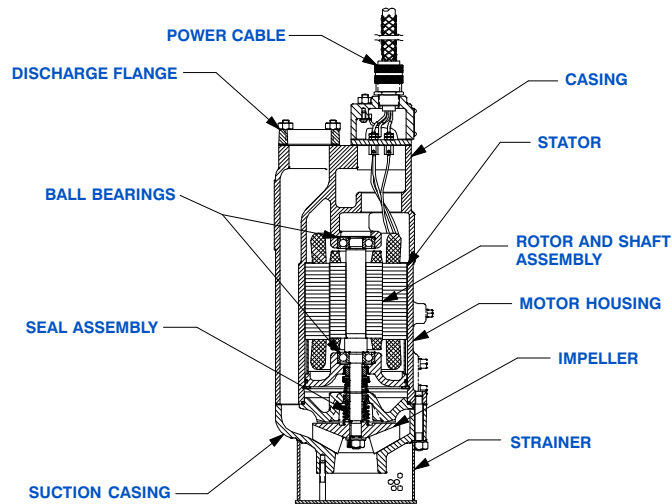
Motor: Oil Filled Enclosure. 3.5 H.P.; 3450 R.P.M.; 60 Hz. Three Phase,
200/230/460/575 Volt, 10.4/9.0/4.5/3.6 Full Load AMPS, 3.2 kW (Max.)

Power Cable: (200V/230V/460V) 4 Wire; Type SO/SOW/SOOW/SEOW/
SEOOV; 10 AWG; 3 Power Conductors, Plus 1 Ground.

(575V) 4 Wire; Type SO/SOW/SOOW/SEOW/SEOOV; 14 AWG; 3 Power
Conductors, Plus 1 Ground. Nominal Length 50 Feet (15 m) Standard.
(Specify Alternate Length at Time of Order.)

Recommended Generator Size: 6 kW Across the Line Start.

* Consult Factory for Applications Exceeding
Maximum Pressure and/or Temperature Indicated.



SEAL SPECIFICATIONS

Tandem, Oil Lubricated.

Upper: Type 21 Mechanical. Carbon Rotating Face.
Ceramic Stationary Face. Buna-N Elastomers. Stainless
Steel 18-8 Cage and Spring.

Lower: Type 2 Mechanical. Tungsten Carbide Rotating
and Stationary Faces. Fluorocarbon Elastomers
(DuPont Viton® or Equivalent). Stainless Steel 316
Cage, Spring and Stationary Seat.

Maximum Temperature of Liquid Pumped 122°F (50°C).*



GORMAN-RUPP PUMPS

www.grpumps.com

Specifications Subject to Change Without Notice

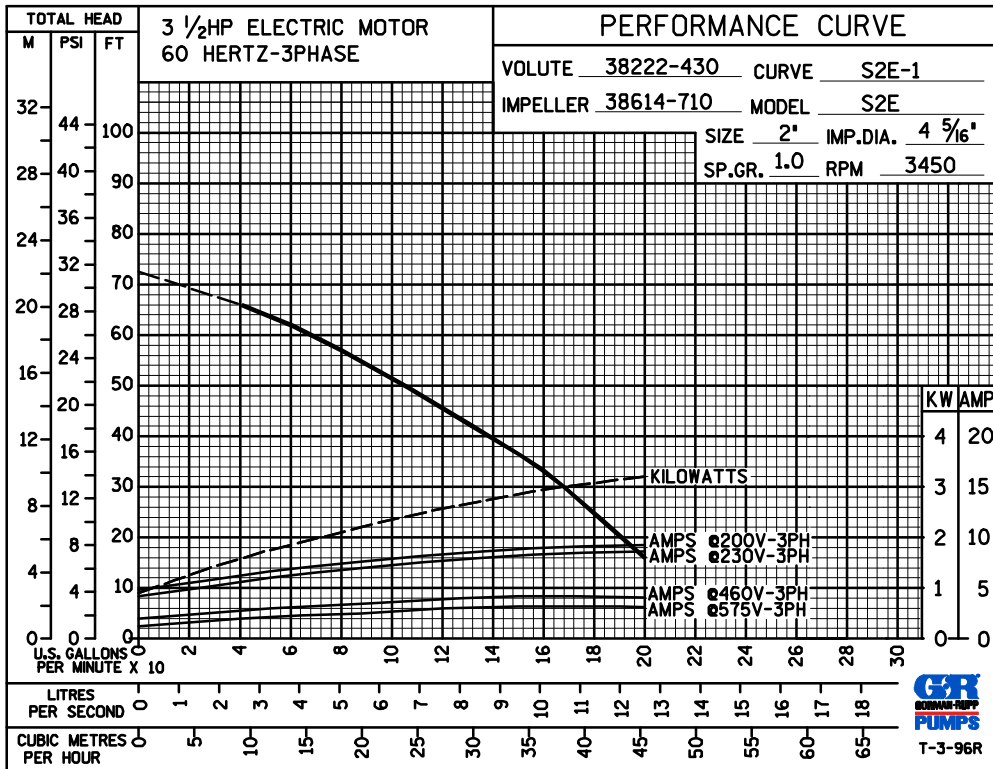
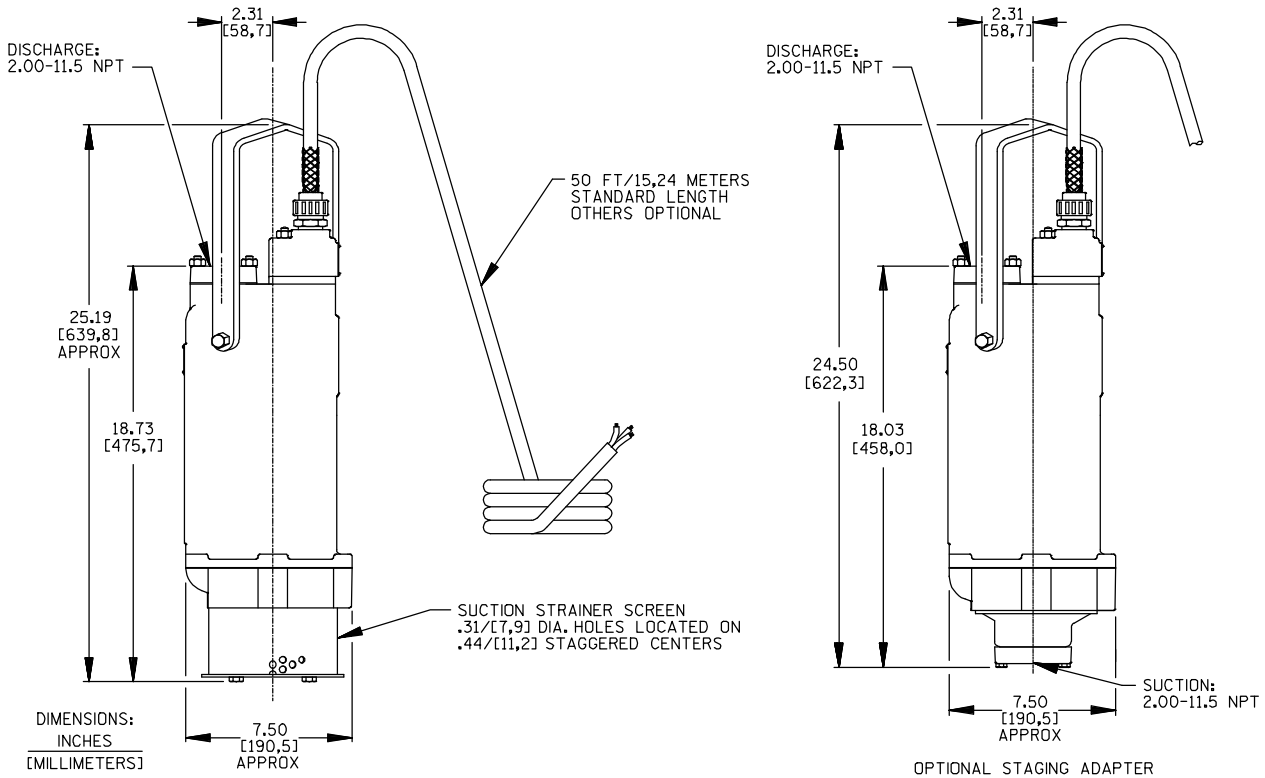
Printed in U.S.A.

Specification Data

SECTION 130, PAGE 480

APPROXIMATE
DIMENSIONS and WEIGHTS

NET WEIGHT: 86 LBS. (39,0 KG.)
SHIPPING WEIGHT: 106 LBS. (48,1 KG.)
EXPORT CRATE: 5.0 CU. FT. (0,14 CU. M.)



GORMAN-RUPP PUMPS

www.grpumps.com

Specifications Subject to Change Without Notice

Printed in U.S.A.