



APPROVED
X-PROOF MOTORS FOR CLASS I,
DIV. 1, GROUPS C&D LOCATIONS
(X-Proof Version Only)



C/US
Ordinary
Location Only

Submersible Pump Models

SFSC3A & SFSC3A-X

Size 3"

Equipped With



SF Series

VARIOUS PATENTS APPLY

The Gorman-Rupp SF Series® pumps provide superior pumping efficiency while maintaining a 1.75 inch (44,5 mm) spherical solids passage.

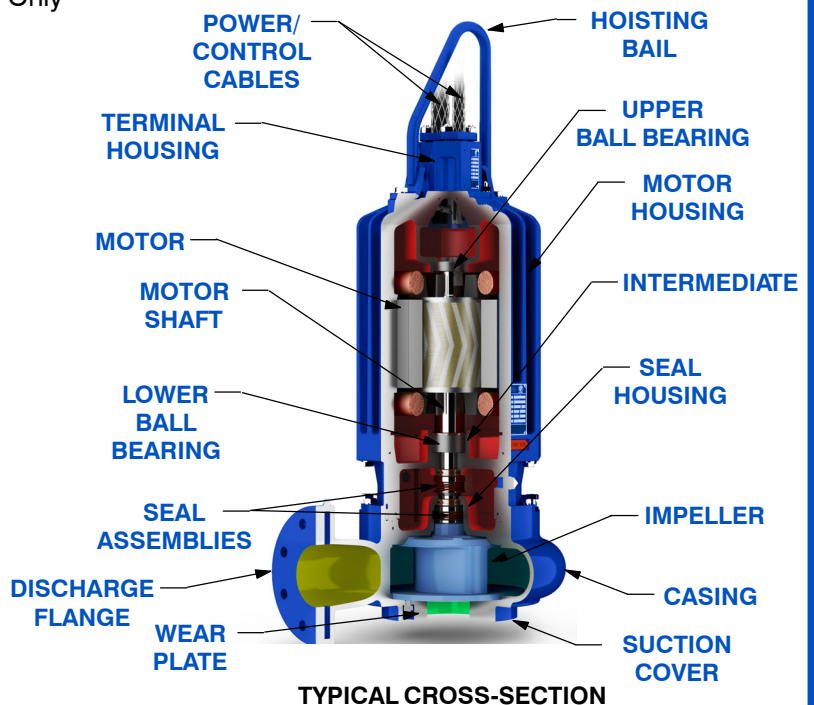
Key Features:

- NEMA premium efficiency motors
- Externally adjustable face clearance
- Press-fit motor with finned motor housing provides superior motor cooling, even in a submersed state, resulting in increased motor life
- NEMA Class H motor insulation
- Easy, in-the-field cable changes
- Standard moisture detection in both the seal and motor chambers
- Factory Mutual (FM) Approved for Class I, Division I, Group C and D Haz Loc Applications (X-Proof Model)
- CSA-C/US Approved for Ordinary Location Only (Standard Model)



Optional Accessories:

- Control Panel (Consult [SF Series Motor Data Reference](#) for Customer-Supplied Control Panel)
- Submersible Transducer or Ball Type Float Switches
- Slide Rail Installation Components
 - Guide shoe TM/Rubber Seal
 - Base Elbow and Rail Brackets
- Trash Stand Installation Components
 - Trash Stand
 - Discharge Elbow



GORMAN-RUPP PUMPS

www.grpumps.com

Specifications Subject to Change Without Notice

Printed in U.S.A.

PUMP DETAILS

Pump Models	SFSC3A/SFSC3A-X		
Agency Approvals	Consult Factory		
Discharge Flange	3" ANSI w/ Flat Face		
Impeller Type / Material	Semi-Open Type, Continuous Vane Impeller / Hard Iron		
Wear Plate	Alloy Steel Plate		
Spherical Solids Handling	1.75" (44,5 mm) Diameter		
Motor Housing and Intermediate Seal Plate	Gray Iron 30		
Pump Casing	Ductile Iron (Standard)/GR Hard Iron (Optional)		
Motor Shaft/Shaft Sleeve	Ductile Iron		
O-Rings	17-4 PH Stainless Steel		
Bearings:	Buna-N and Fluorocarbon (DuPont Viton® or Equivalent)		
Type/Lubrication	Upper	Single Row Ball/Permanent Lubrication	
	Lower	Double Row Ball/Permanent Lubrication	
External Hardware	303/304 Stainless Steel		
External Surface Protection	Epoxy Paint		
Seal Type	Tandem, Mechanical, Oil Lubricated Upper, Self-Lubricated Lower		
Sealing Faces:	Upper	Carbon/Ceramic	
Rotating/Stationary	Lower	Silicon Carbide/Silicon Carbide	
Seal Elastomers	Buna-N Upper, Fluorocarbon (DuPont Viton® or Equivalent) Lower		
Max. Liquid Temperature	104°F (40°C)		

MOTOR DETAILS

Speed	60 Hz, 1750 RPM		
Motor Design	Inverter-Duty Rated, Air-Filled Enclosure, Squirrel Cage, Induction Start		
Motor Efficiency Rating	NEMA Premium Efficiency (IEC IE3)		
Insulation	Class H, Rated 356°F (180°C)		
Max. Submergence	65 Feet (20 Meters)		
Min. Submergence	1/2 Motor Covered		
Max. Starts per Hour	10		
Max. Rated Output Power	7.5 HP (5,6Kw)	10 HP (7,5kW)	
Amp Draw @ Max. Rated Power:			
Full Load/ Locked Rotor NEMA CODE ()	208V/3P	25.4/184.7 (K)	30.0/184.7 (H)
	230V/3P	23.0/167 (K)	27.0/167 (H)
	460V/3P	11.5/83.5 (K)	13.5/83.5 (H)
	575V/3P	7.0/66.8 (K)	10.8/66.8 (H)
Service Factor	1.15	1.15	
Efficiency: 100%/75%/50% Load	85%/84%/80%	93%/90%/90%	
Power Factor: 100%/75%/50% Load	0.75/0.70/0.58	0.83/0.77/0.70	
Field Connection	Across-the-Line		
Moisture Sensor	Single Probe Monitoring Both Seal and Motor Chambers		
Thermal Overload	One Thermostat per Phase, Self-Resetting		

CABLE DETAILS

Voltage	208-230/460V		575V
Power Cable	No. Cables/Conductors per	1/6	1/4
	Gauge	(3) 8 AWG PWR & (3) 10 AWG GND/GC	
	Type/Material	GGC/CPE	
	Nominal Cable O.D.	0.91" (23,1 mm)	0.75" (19,0 mm)
Control Cable	No. Cables/Conductors per	1/4	
	Gauge	14 AWG	
	Type/Material	SOOW/CPE	
	Nominal Cable O.D.	0.61" (15,5 mm)	
Length	32 Feet (10 Meters) Standard, 164 Feet (50 Meters) Maximum		



GORMAN-RUPP PUMPS

www.grpumps.com

Specifications Subject to Change Without Notice

Printed in U.S.A.

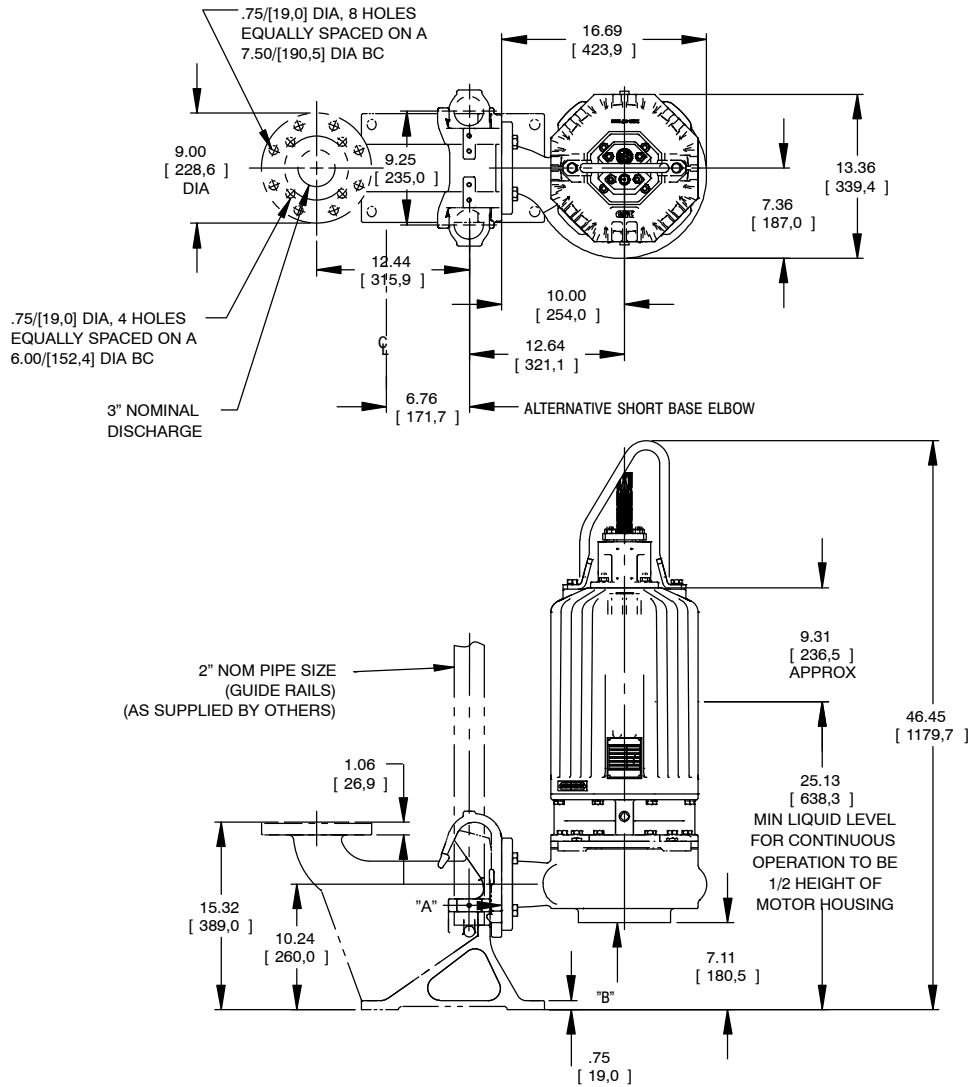
Specification Data

SECTION 133, PAGE 1000.2

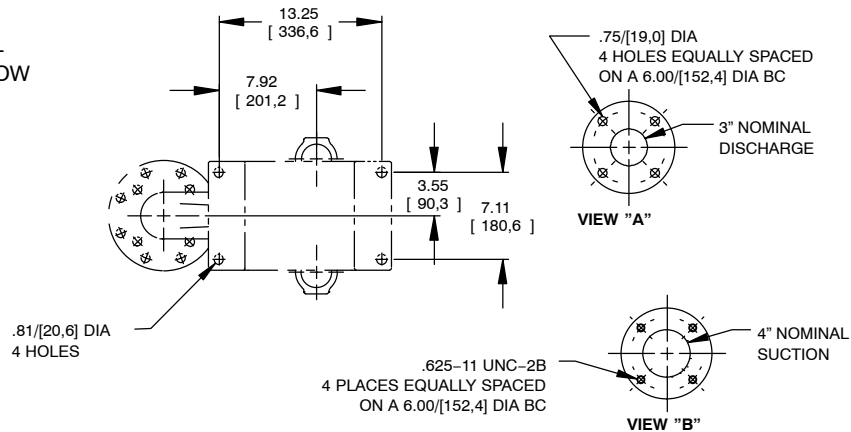
**MODEL SFSC3A
SLIDE RAIL VERSION
APPROXIMATE
DIMENSIONS and WEIGHTS**

NET WT: (pump only)
(comb. cable wt. per meter [3.2 ft.])
SHIPPING WT: (pump only)
CRATE SIZE:

670 LBS. [303 KG.]
3.4 LBS. [1,54 KG.]
710 LBS. [322,1 KG.]
25.1 CU. FT. [0,71 CU. M.]



SHOWN WITH OPTIONAL RAIL KIT AND BASE ELBOW



GORMAN-RUPP PUMPS

www.grpumps.com

Specifications Subject to Change Without Notice

Printed in U.S.A.

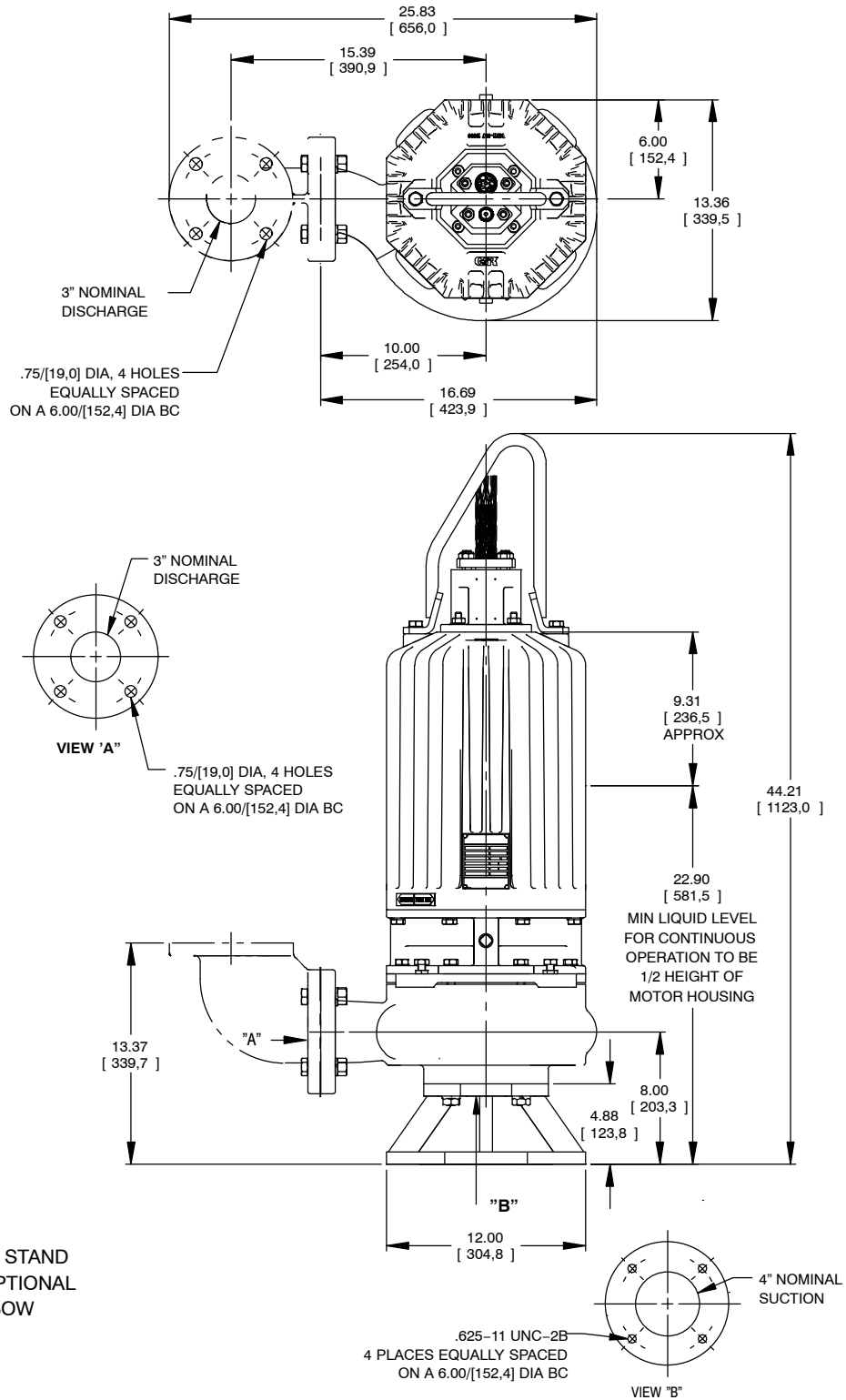
Specification Data

SECTION 133, PAGE 1000.3

**MODEL SFSC3A
TRASH VERSION
APPROXIMATE
DIMENSIONS and WEIGHTS**

NET WT: (pump only)
(comb. cable wt. per meter [3.2 ft.])
SHIPPING WT: (pump only)
CRATE SIZE:

720 LBS. [326,6 KG.]
3.4 LBS. [1,54 KG.]
760 LBS. [344,7 KG.]
26.8 CU. FT. [0,76 CU. M.]



PUMP W/ TRASH STAND
SHOWN WITH OPTIONAL
DISCHARGE ELBOW



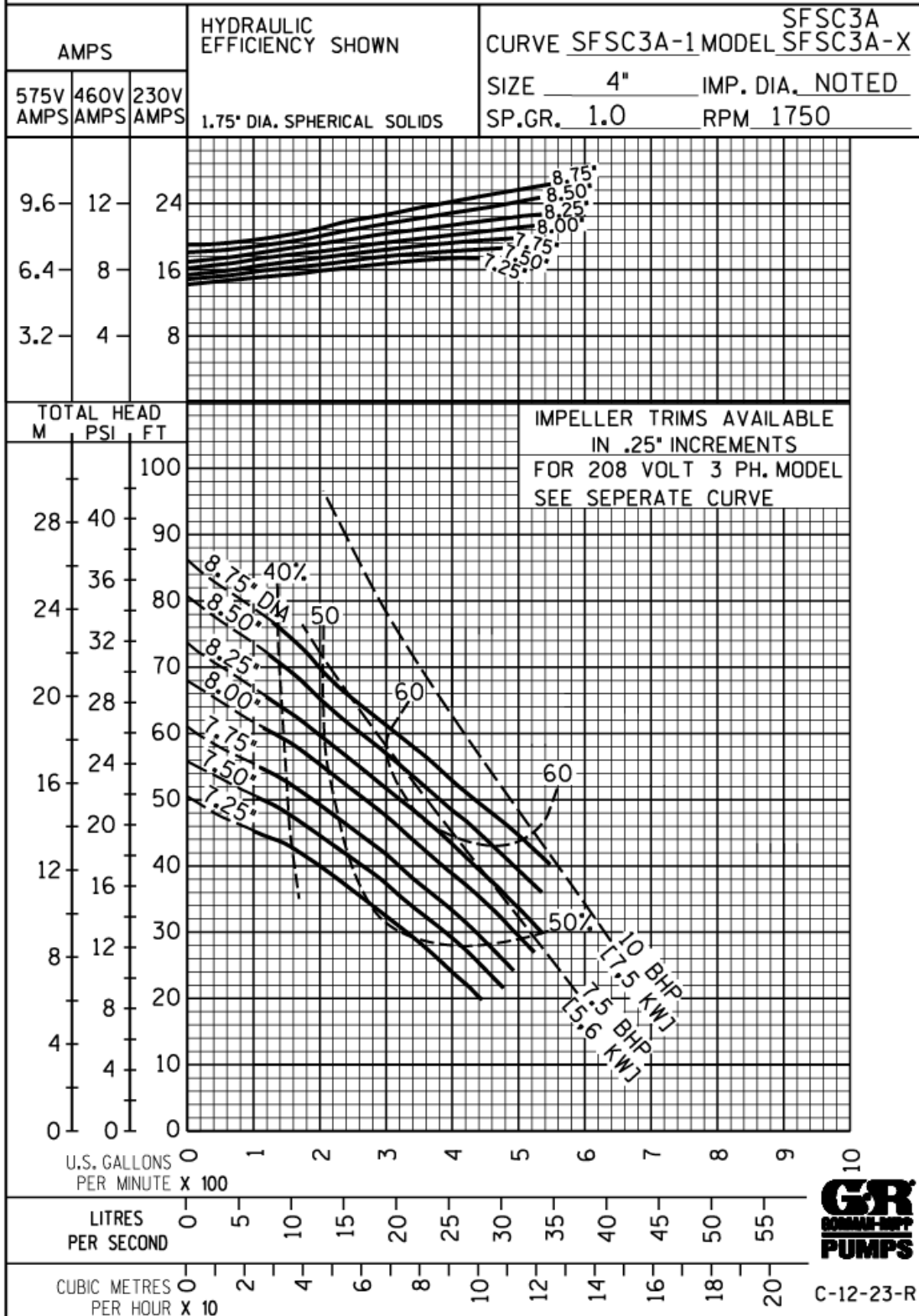
GORMAN-RUPP PUMPS

www.grpumps.com

Specifications Subject to Change Without Notice

Printed in U.S.A.

PERFORMANCE CURVE



GORMAN-RUPP PUMPS

www.grpumps.com

Specifications Subject to Change Without Notice

Printed in U.S.A.