



APPROVED
X-PROOF MOTORS FOR CLASS I,
DIV. 1, GROUPS C&D LOCATIONS
(X-Proof Version Only)

SF Series

VARIOUS PATENTS APPLY

Submersible Pump

Models

SFSC6A & SFSC6A-X

Size 6"

Equipped With



The Gorman-Rupp SF Series® pumps provide superior pumping efficiency while maintaining a 2.25 inch (57,1 mm) spherical solids passage.

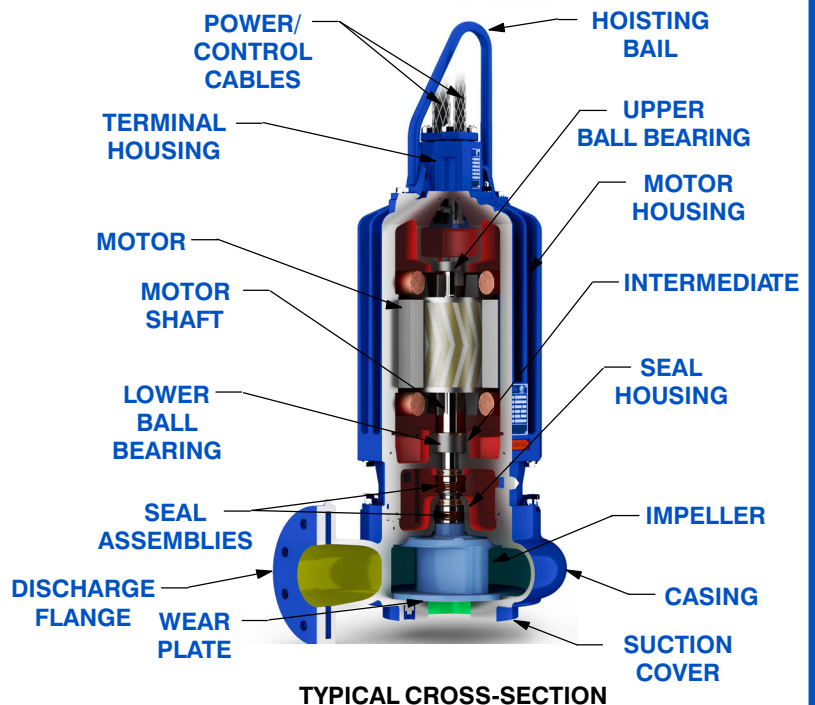
Key Features:

- NEMA premium efficiency motors
- Externally adjustable face clearance
- Press-fit motor with finned motor housing provides superior motor cooling, even in a submersed state, resulting in increased motor life
- NEMA Class H motor insulation
- Standard moisture detection in both the seal and motor chambers
- Factory Mutual (FM) Approved for Class I, Division I, Group C and D Haz Loc Applications (X-Proof Model)



Optional Accessories:

- Control Panel (Consult [SF Series Motor Data Reference](#) for Customer-Supplied Control Panel)
- Submersible Transducer or Ball Type Float Switches
- Slide Rail Installation Components
 - Guide shoe TM/Rubber Seal
 - Base Elbow and Rail Brackets
- Trash Stand Installation Components
 - Trash Stand
 - Discharge Elbow



GORMAN-RUPP PUMPS

www.grpumps.com

Specifications Subject to Change Without Notice

Printed in U.S.A.

PUMP DETAILS

Pump Models	SFSC6A/SFSC6A-X	
Agency Approvals	FM	
Discharge Flange	6" ANSI w/ Flat Face	
Impeller Type / Material	Semi-Open Type, Continuous Vane/ GR Hard Iron	
Wear Plate	Replaceable, Self-Cleaning, Hardened Alloy Steel	
Spherical Solids Handling	2.25" (57,1 mm) Diameter Spherical Solids	
Motor Housing and Intermediate Seal Plate	Gray Iron 30	
Pump Casing	Ductile Iron (Standard)/GR Hard Iron (Optional)	
Motor Shaft/Shaft Sleeve	Ductile Iron	
O-Rings	17-4 PH Stainless Steel	
Bearings: Type/Lubrication	Upper	Buna-N and Fluorocarbon (DuPont Viton® or Equivalent)
	Lower	Single Row Ball/Permanent Lubrication
External Hardware	Upper	Double Row Ball/Permanent Lubrication
	Lower	303/304 Stainless Steel
External Surface Protection	Epoxy Paint	
Seal Type	Tandem, Mechanical, Oil Lubricated Upper, Self-Lubricated Lower	
Sealing Faces: Rotating/Stationary	Upper	Carbon/Ceramic
	Lower	Silicon Carbide/Silicon Carbide
Seal Elastomers	Buna-N Upper, Fluorocarbon (DuPont Viton® or Equivalent) Lower	
Max. Liquid Temperature	104°F (40°C)	

MOTOR DETAILS

Speed	60 Hz, 1750 RPM	
Motor Design	Inverter-Duty Rated, Air-Filled Enclosure, Squirrel Cage, Induction Start	
Motor Efficiency Rating	NEMA Premium Efficiency (IEC IE3)	
Insulation	Class H, Rated 356°F (180°C)	
Max. Submergence	65 Feet (20 Meters)	
Min. Submergence	1/2 Motor Covered	
Max. Starts per Hour	10	
Max. Rated Output Power	30.0 HP (22,3kW)	
Amp Draw @ Max. Rated Power: Full Load/ Locked Rotor NEMA CODE ()	230V/3P	73.2/492.0 (H)
	460V/3P	36.6/246.0 (H)
	575V/3P	29.3/197.0 (H)
Service Factor	1.15	
Efficiency: 100%/75%/50% Load	93%/90%/90%	
Power Factor: 100%/75%/50% Load	0.83/0.77/0.70	
Field Connection	Across-the-Line	
Moisture Sensor	Single Probe Monitoring Both Seal and Motor Chambers	
Thermal Overload	One Thermostat per Phase, Self-Resetting	

CABLE DETAILS

Power Cable	Voltage	460V	575V
	No. Cables/Conductors per Gauge	1/6 (3) 4 AWG PWR & (3) 8 AWG GND/GC	1/6 (3) 8 AWG PWR & (3) 10 AWG GND/GC
	Type/Material	GGC	
	Nominal Cable O.D.	1.19" (23,1 mm)	0.97" (19,0 mm)
Control Cable	No. Cables/Conductors per Gauge	1/4 14 AWG	
	Type/Material	SOOW/CPE	
	Nominal Cable O.D.	0.61" (15,5 mm)	
	Length	32 Feet (10 Meters) Standard, 164 Feet (50 Meters) Maximum	



GORMAN-RUPP PUMPS

www.grpumps.com

Specifications Subject to Change Without Notice

Printed in U.S.A.

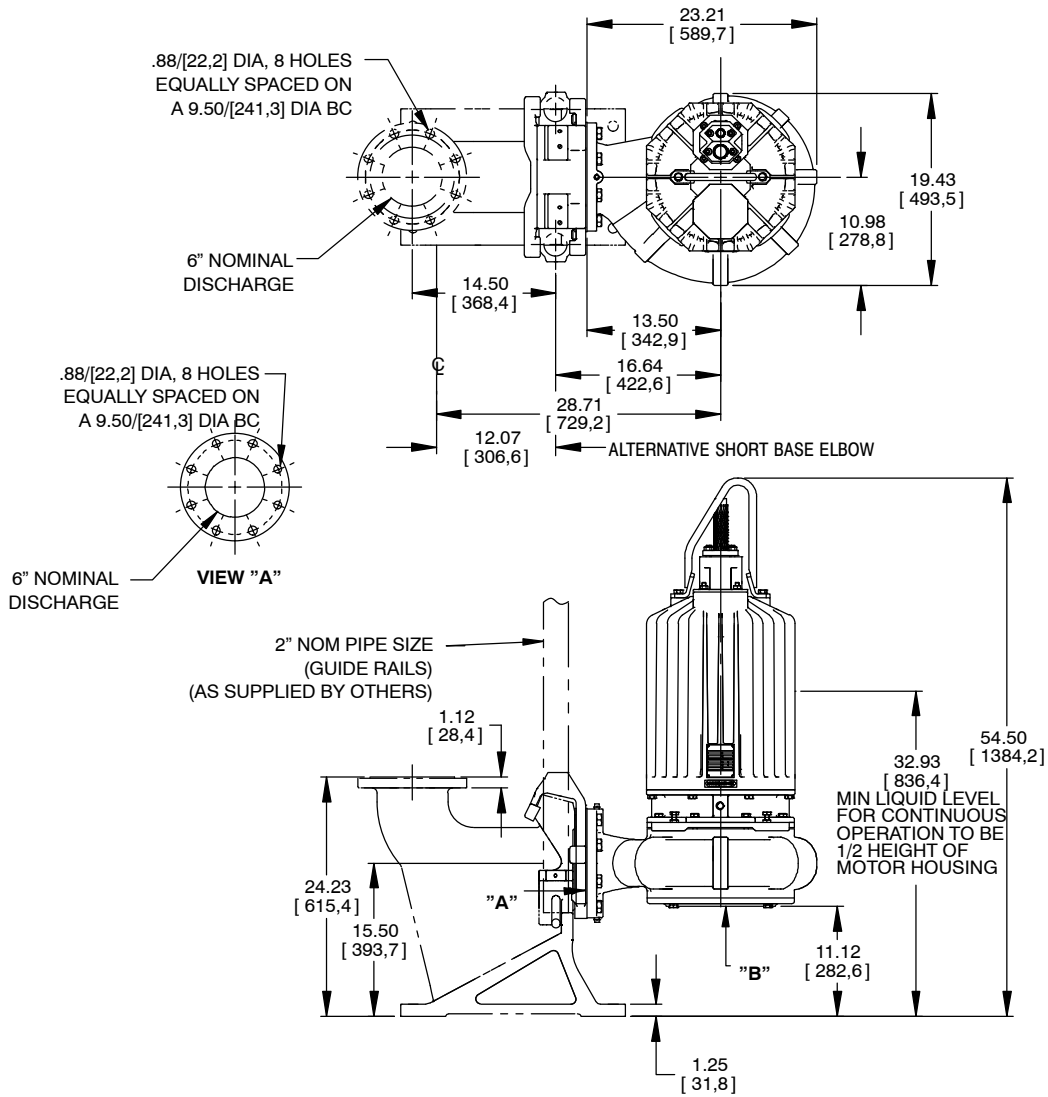
Specification Data

SECTION 133, PAGE 1050.2

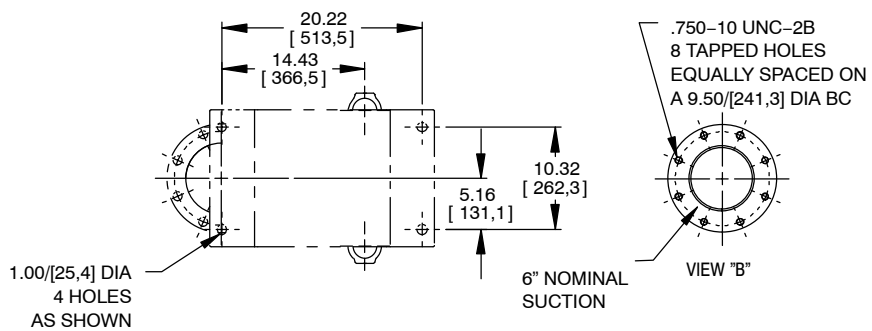
**MODEL SFSC6A
SLIDE RAIL VERSION
APPROXIMATE DIMENSIONS
and WEIGHTS**

NET WT: (pump only)
(comb. cable wt. per meter [3.2 ft.])
SHIPPING WT: (pump only)
CRATE SIZE:

670 LBS. [303 KG.]
3.4 LBS. [1,54 KG.]
710 LBS. [322,1 KG.]
25.1 CU. FT. [0,71 CU. M.]



SHOWN WITH OPTIONAL
RAIL KIT AND BASE ELBOW



GORMAN-RUPP PUMPS

www.grpumps.com

Specifications Subject to Change Without Notice

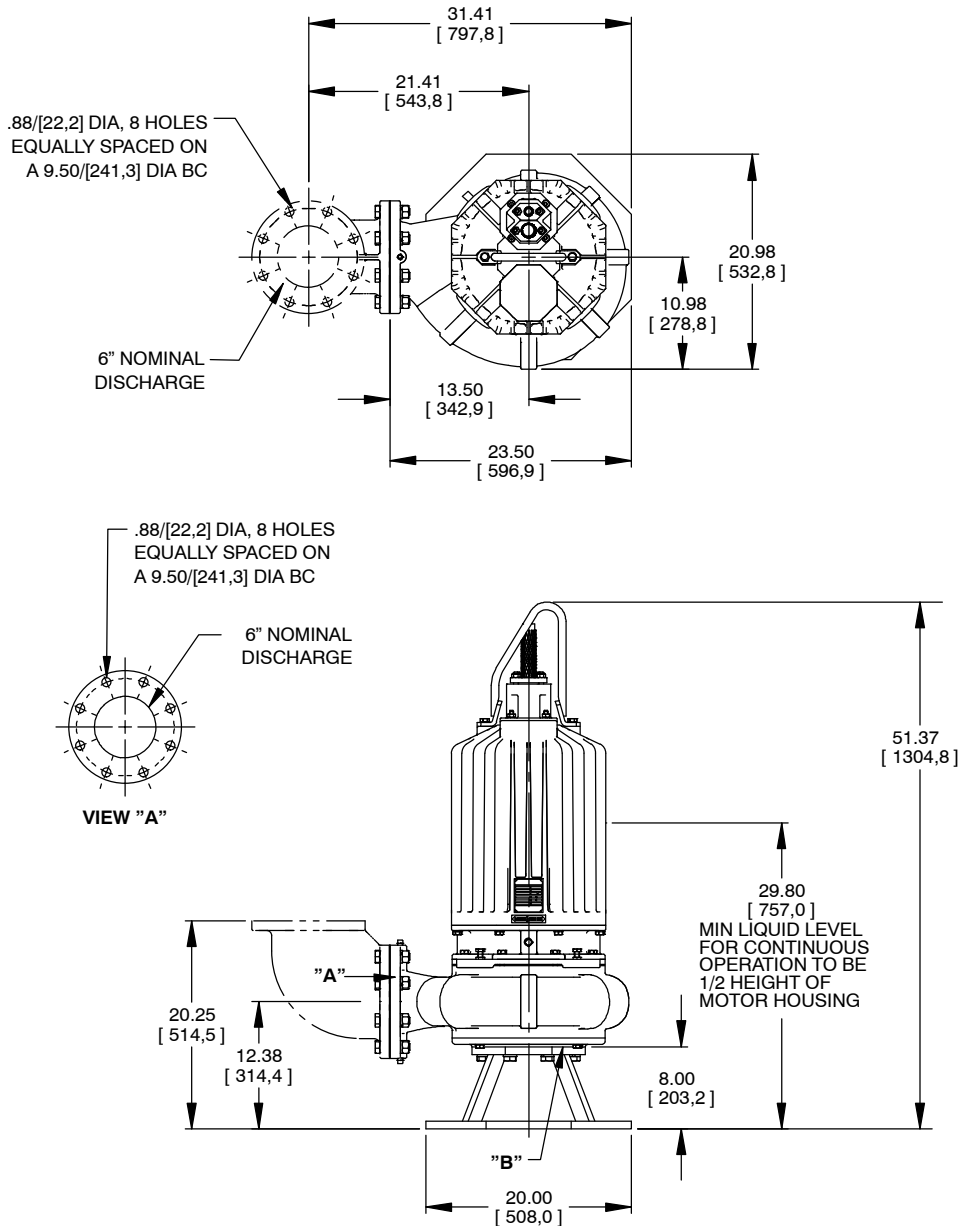
Printed in U.S.A.

Specification Data

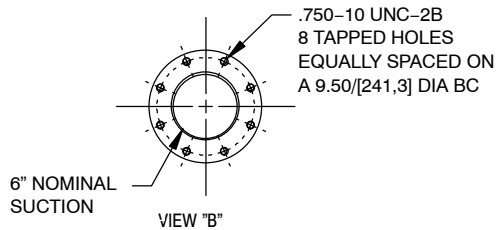
SECTION 133, PAGE 1050.3

**MODEL SFSC6A TRASH
VERSION APPROXIMATE
DIMENSIONS and WEIGHTS**

NET WT: (pump only)	720 LBS.	[326,6 KG.]
(comb. cable wt. per meter [3.2 ft.])	3.4 LBS.	[1,54 KG.]
SHIPPING WT: (pump only)	760 LBS.	[344,7 KG.]
CRATE SIZE:	26.8 CU. FT.	[0,76 CU. M.]



PUMP WITH TRASH STAND
SHOWN WITH OPTIONAL
DISCHARGE ELBOW



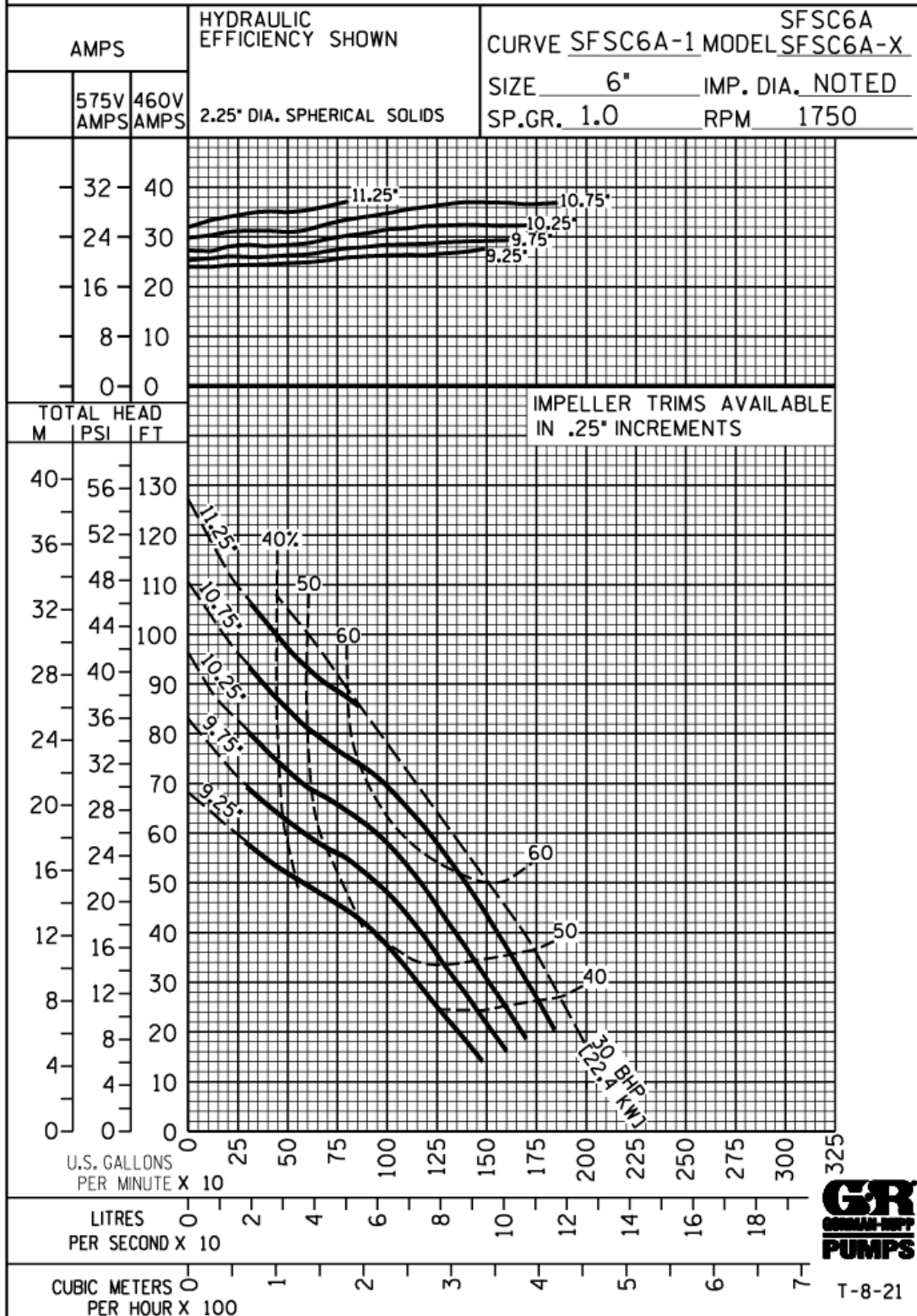
GORMAN-RUPP PUMPS

www.grpumps.com

Specifications Subject to Change Without Notice

Printed in U.S.A.

PERFORMANCE CURVE



GORMAN-RUPP PUMPS

www.grpumps.com

Specifications Subject to Change Without Notice

Printed in U.S.A.