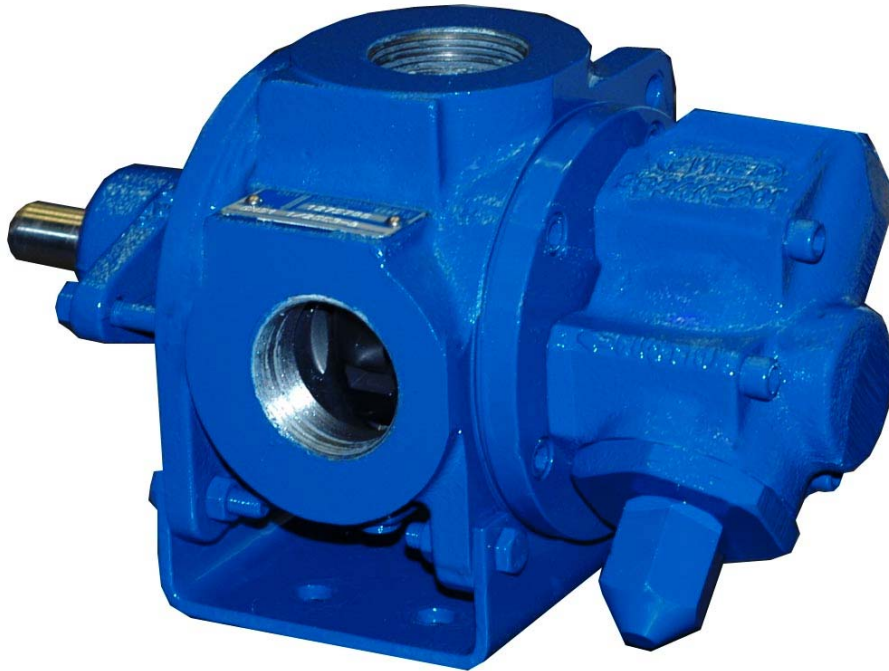


**MEDIUM DUTY STANDARD;
 D, G, J, N & R SIZE
 ROTARY GEAR PUMP**



The GMS series is designed for applications in the operating ranges noted below. These units are available with head and backhead jackets (R size only) for temperature control, carbon graphite bushings for low viscosity liquids, silicon carbide bushings for wear resistance, and carbide, positive drive or packing seals for viscous sealing.

For continuous service, or for handling more viscous liquids, see the heavy duty GHS section.

For belt driven applications, select an extended shaft option and consult factory for availability of drive assembly. A pedestal bearing is required for belt driven applications.

FEATURES

- 150 PSI CAPABILITY
- SELF-CONTAINED, NO EXTERNAL BEARING REQUIRED (UNLESS BELT DRIVEN)
- HIGH STRENGTH, COMPUTER PROFILED GEARING FOR QUIET OPERATION
- THRUST CONTROLLED PUMP ELEMENTS
- EXCEPTIONAL SEAL VERSATILITY

OPERATING RANGE

- CAPACITY (GPM) : (3 TO 265)
 [LPM] : [11 TO 930]
- PRESSURE (PSI) : (0 TO 150)
 [BAR] : [0 TO 10.3]
- VISCOSITY (SSU) : (28 TO 250,000)
 [cSt] : [1 TO 55,000]
- TEMPERATURE (F) : (-60° TO 450°)
 [C] : [-51° TO 230°]

APPLICATIONS

- ★ BOOSTER SERVICE
- ★ CIRCULATING
- ★ FILTERING
- ★ LUBRICATING
- ★ TRANSFERRING

EXT.	ROTOR & IDLER	HOUSING PORTS	BUSHINGS	IDLER PIN	SHAFT	SHAFT SEALING		ROT.	INTERNAL RELIEF VALVE	
						MECH. SEAL ●	PACKING ■		MATERIAL	SETTING
CAST IRON	HIGH STRENGTH IRON	90° TAPPED	BRONZE	HARDENED STEEL		FLUORO ^① CARBON, NI-RESIST	PTFE ^② GRAPHITE	C.W.	DUCTILE IRON	75 PSI [5 BAR]

Standard Models

G M S 1 DC 3 - B
 GEAR DUTY DESIGN PORT SIZE HYDRAULIC SEAL STYLE

MODEL NUMBER	NOM. CAPACITY - SPEED				MAXIMUM				SHIPPING DATA	
	MAXIMUM		ALTERNATIVE		DIFFERENTIAL PRESSURE-PSI [BAR]			TEMP.	Weight	Volume
	GPM	RPM	GPM	RPM	BELOW	38 TO	100 TO	°F	LBS	CU. FT.
	[LPM]	60 Hz [50 Hz]	[LPM]	60 Hz [50 Hz]	38 SSU [4 cSt]	100 SSU [21 cSt]	250,000 SSU [55,000 cSt]	[°C]	[KG]	FT.
GMS 1DC 3-B ● GMS 1DC 4-B ■	9 [28]		6 [19]						19 [8,6]	0.6
GMS 1DE 3-B ● GMS 1DE 4-B ■	11 [35]		7 [22]						19 [8,6]	0.6
GMS 1-1/2 GC 3-B ● GMS 1-1/2 GC 4-B ■	16 [50]		10 [32]						32 [14,5]	2.9
GMS 2 GC 3-B ● GMS 2 GC 4-B ■									32 [14,5]	2.9
GMS 1-1/2 GF 3-B ● GMS 1-1/2 GF 4-B ■	23 [73]	1750 [1460]	15 [47]	1150 [960]				400 [205]	32 [14,5]	2.9
GMS 2 GF 3-B ● GMS 2 GF 4-B ■					50 [3]	75 [5]	150 [10.3]		32 [14,5]	2.9
GMS 1-1/2 GH 3-B ● GMS 1-1/2 GH 4-B ■	31 [98]		20 [63]						32 [14,5]	2.9
GMS 2 GH 3-B ● GMS 2 GH 4-B ■								450 [230]	32 [14,5]	2.9
GMS 1-1/2 GJ 3-B ● GMS 1-1/2 GJ 4-B ■	38 [120]		25 [79]						32 [14,5]	2.9
GMS 2 GJ 3-B ● GMS 2 GJ 4-B ■									32 [14,5]	2.9
GMS 2 JG 3-B ● GMS 2 JG 4-B ■									83 [37,6]	2.9
GMS 2-1/2 JG 3-B ● GMS 2-1/2 JG 4-B ■	33 [126]	960 [960]	30 [95]	870 [725]					83 [37,6]	2.9
GMS 3 JG 3-B ● GMS 3 JG 4-B ■									83 [37,6]	2.9
STANDARD MODELS CONT.										

NOTE: RECOMMENDED PORT SIZES ARE SHOWN IN **BOLDFACE**. EXAMPLE: **GMS 2GJ3-B**

● MECHANICAL SEAL

■ PACKING/LIPSEAL

① DUPONT VITON[®] OR EQUIVALENT

② DUPONT TEFLON[®] OR EQUIVALENT

THE GORMAN-RUPP COMPANY • MANSFIELD, OHIO

GORMAN-RUPP OF CANADA LIMITED • ST. THOMAS, ONTARIO, CANADA

Standard Models Cont'd

MODEL NUMBER	NOM. CAPACITY - SPEED				MAXIMUM				SHIPPING DATA	
	MAXIMUM		ALTERNATIVE		DIFFERENTIAL PRESSURE-PSI [BAR]			TEMP.	Weight	Volume
	GPM [LPM]	RPM 60 Hz [50 Hz]	GPM [LPM]	RPM 60 Hz [50 Hz]	BELOW 38 SSU [4 cSt]	38 TO 100 SSU [21 cSt]	100 TO 250,000 SSU [55,000 cSt]	°F [°C]		
GMS 2 JJ 3-B ● GMS 2 JJ 4-B ■	47 [177]	960 [960]	42 [133]	870 [725]	50 [3]	75 [5]	150 [10.3]	● 400 [205]	83	2.9
GMS 2-1/2 JJ 3-B ● GMS 2-1/2 JJ 4-B ■									83 [37,6]	2.9
GMS 3 JJ 3-B ● GMS 3 JJ 4-B ■									83 [37,6]	2.9
GMS 2 JL 3-B ● GMS 2 JL 4-B ■	64 [243]	960 [960]	58 [183]	870 [725]	50 [3]	75 [5]	150 [10.3]	● 400 [205]	83	2.9
GMS 2-1/2 JL 3-B ● GMS 2-1/2 JL 4-B ■									83 [37,6]	2.9
GMS 3 JL 3-B ● GMS 3 JL 4-B ■									83 [37,6]	2.9
GMS 2 JP 3-B ● GMS 2 JP 4-B ■	89 [338]	960 [960]	81 [256]	870 [725]	50 [3]	75 [5]	150 [10.3]	● 400 [205]	83	2.9
GMS 2-1/2 JP 3-B ● GMS 2-1/2 JP 4-B ■									83 [37,6]	2.9
GMS 3 JP 3-B ● GMS 3 JP 4-B ■									83 [37,6]	2.9
GMS 1-1/2 NK 3-B ● GMS 1-1/2 NK 4-B ■	90 [283]	960 [960]	60 [189]	870 [725]	50 [3]	75 [5]	150 [10.3]	■ 450 [230]	109	2.9
GMS 2 NK 3-B ● GMS 2 NK 4-B ■									109 [49]	2.9
GMS 2-1/2 NK 3-B ● GMS 2-1/2 NK 4-B ■									109 [49]	2.9
GMS 3 NK 3-B ● GMS 3 NK 4-B ■	120 [378]	960 [960]	80 [252]	870 [725]	50 [3]	75 [5]	150 [10.3]	■ 450 [230]	109	2.9
GMS 2 NM 3-B ● GMS 2 NM 4-B ■									109 [49]	2.9
GMS 2-1/2 NM 3-B ● GMS 2-1/2 NM 4-B ■									109 [49]	2.9
GMS 3 NM 3-B ● GMS 3 NM 4-B ■	150 [473]	960 [960]	99 [312]	870 [725]	50 [3]	75 [5]	150 [10.3]	■ 450 [230]	109	2.9
GMS 2 NP 3-B ● GMS 2 NP 4-B ■									109 [49]	2.9
GMS 2-1/2 NP 3-B ● GMS 2-1/2 NP 4-B ■									109 [49]	2.9
GMS 3 NP 3-B ● GMS 3 NP 4-B ■									109	2.9

STANDARD MODELS CONT.

- MECHANICAL SEAL
- PACKING/LIPSEAL

NOTE: RECOMMENDED PORT SIZES ARE SHOWN IN **BOLDFACE**. EXAMPLE: **GMS 2GJ 3-B**

THE GORMAN-RUPP COMPANY • MANSFIELD, OHIO
 GORMAN-RUPP OF CANADA LIMITED • ST. THOMAS, ONTARIO, CANADA

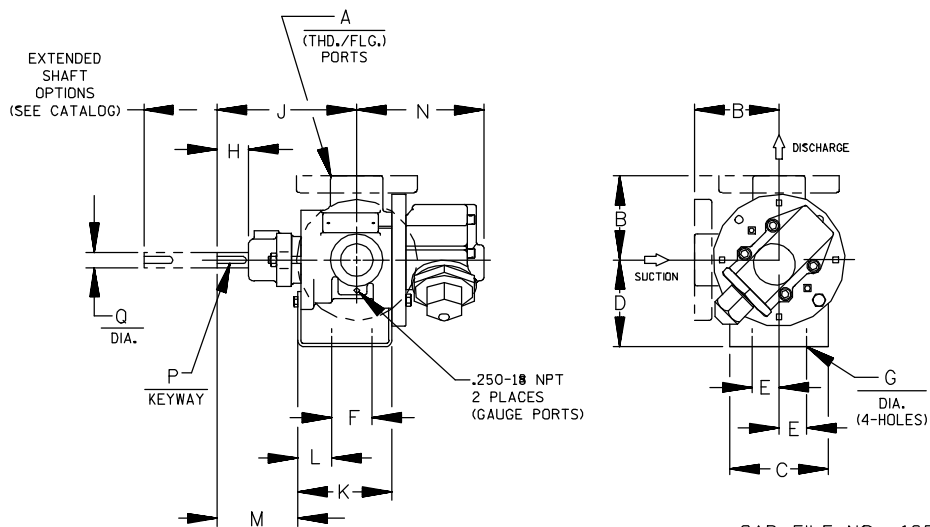
MODEL NUMBER	NOM. CAPACITY - SPEED				MAXIMUM				SHIPPING DATA							
	MAXIMUM		ALTERNATIVE		DIFFERENTIAL PRESSURE - PSI [BAR]			TEMP.	Weight LBS [KG]	Volume CU. FT.						
	GPM [LPM]	RPM 60 Hz [50 Hz]	GPM [LPM]	RPM 60 Hz [50 Hz]	BELOW 38 SSU [4 cSt]	38 TO 100 SSU [21 cSt]	100 TO 250,000 SSU [55,000 cSt]	°F [°C]								
GMS 2 RM 3-B ● GMS 2 RM 4-B ■	153 [542]	640 [600]	115 [362]	480 [400]				● 400 [205]	233 [106]	10.7						
GMS 2-1/2 RM 3-B ● † GMS 2-1/2 RM 4-B ■ †									233 [106]	10.7						
GMS 3 RM 3-B ● † GMS 3 RM 4-B ■ †									233 [106]	10.7						
GMS 4 RM 3-B ● † GMS 4 RM 4-B ■ †									233 [106]	10.7						
GMS 2-1/2 RP 3-B ● † GMS 2-1/2 RP 4-B ■ †									233 [106]	10.7						
GMS 3 RP 3-B ● † GMS 3 RP 4-B ■ †	190 [678]	640 [600]	143 [451]		50 [3]	75 [5]	150 [10.3]	● 400 [205]	233 [106]	10.7						
GMS 4 RP 3-B ● † GMS 4 RP 4-B ■ †	233 [106]								10.7							
GMS 2-1/2 RR 3-B ● † GMS 2-1/2 RR 4-B ■ †	228 [804]								170 [536]					■ 450 [230]	233 [106]	10.7
GMS 3 RR 3-B ● † GMS 3 RR 4-B ■ †															233 [106]	10.7
GMS 4 RR 3-B ● † GMS 4 RR 4-B ■ †															233 [106]	10.7
GMS 3 RS 3-B ● † GMS 3 RS 4-B ■ †	265 [930]	196 [618]						233 [106]	10.7							
GMS 4 RS 3-B ● † GMS 4 RS 4-B ■ †								233 [106]	10.7							

NOTE: RECOMMENDED SIZES ARE SHOWN IN **BOLDFACE**. EXAMPLE: **GMS 2GJ 3-B**

† PORTS ARE COMPATIBLE WITH 125# ANSI CAST IRON FLANGES. ALL OTHER PORTS ARE TAPPED NPT FOR ANSI PIPE. OPTIONAL [DIN] FLANGES OR TAPPED [BSP] PORTS AVAILABLE FOR EXPORT MARKET.

THE GORMAN-RUPP COMPANY • MANSFIELD, OHIO
GORMAN-RUPP OF CANADA LIMITED • ST. THOMAS, ONTARIO, CANADA

Basic Pump Dimensions



CAD FILE NO.: 16530

MODEL NUMBERS	PUMP DIMENSIONS - INCHES [MILLIMETERS]																											
	A	B	C	D	E	F	G	H	J	K	L	M	N	P	Q													
GMS D	1"	2.50* [64]	4.00 [102]	3.50* [89]	1.62 [41]	1.62 [41]	.41 [10]	1.44 [36]	5.81 [148]	3.24 [82]	.89 [23]	3.99 [101]	4.97 [126]	.19 [5] x 1.00 [25]	.62 [16]													
		2.75† [70]		4.50 [114]												5.25 [133]												
		3.19 [81]																										
		4.00† [102]																										
GMS G	1-1/2"	3.50* [89]	4.88 [124]	3.50* [89]	1.62 [41]	1.62 [41]	.41 [10]	1.64 [42]	5.96 [151]	3.85 [98]	.76 [19]	4.14 [105]	5.70 [145]	.19 [5] x 1.25 [32]	.75 [19]													
		3.75† [95]		4.50 [114]												5.25 [133]												
	2"	4.00 [102]	6.25 [159]	6.25 [159]																								
		4.00† [102]																										
GMS J	2"	4.50* [114]	6.88 [175]	5.25* [133]	2.88 [73]	3.00 [76]	.44 [11]	2.50 [64]	9.91 [252]	5.71 [145]	1.18 [30]	7.31 [186]	8.50 [216]	.25 [6] x 2.00 [51]	1.00 [25]													
		5.00† [127]		6.25 [159]												7.00 [178]												
	2-1/2"	6.00† [152]		7.00 [178]												8.00 [203]												
		6.00† [152]																										
GMS N	1-1/2"	5.12* [130]	8.00 [203]	4.50 [114]	2.88 [73]	4.25 [108]	.44 [11]	2.50 [64]	9.20 [234]	6.42 [163]	1.12 [28]	6.12 [155]	7.59 [193]	.25 [6] x 2.00 [51]	1.25 [32]													
				5.25* [133]												6.25 [159]	7.00 [178]											
	2-1/2"			7.00 [178]												8.00 [203]												
				7.19† [183]																								
GMS R	2"	8.50* [165]	10.25 [260]	7.00* [178]	3.75 [95]	5.75 [146]	.53 [13]	3.03 [77]	12.50 [318]	8.43 [214]	1.38 [35]	8.35 [212]	11.31 [287]	.38 [10] x 2.25 [57]	1.50 [38]													
				7.00* [178]																								
	2-1/2"			7.00* [178]																								
				7.19† [183]																								

* STANDARD DIMENSION

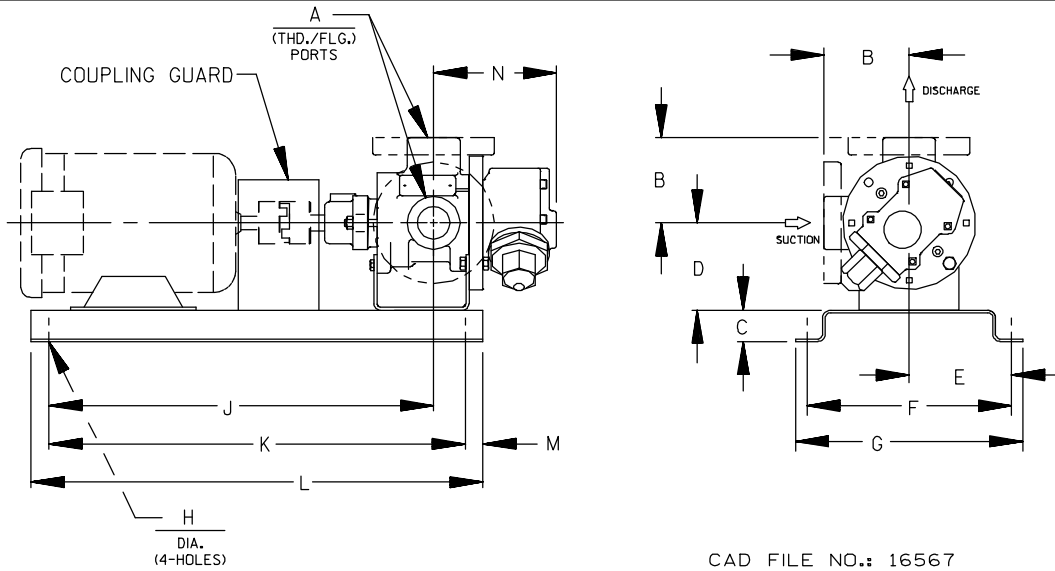
† 180° HOUSING

‡ PORTS ARE COMPATIBLE WITH 125# OR 250# ANSICAST IRON FLANGES. ALL OTHER PORTS ARE TAPPED NPT FOR ANSI PIPE. OPTIONAL (DIN) FLANGES OR TAPPED (BSP) PORTS AVAILABLE FOR EXPORT MARKET.

THE GORMAN-RUPP COMPANY • MANSFIELD, OHIO
GORMAN-RUPP OF CANADA LIMITED • ST. THOMAS, ONTARIO, CANADA



DIRECT FLEX DRIVE OPTION DIMENSIONS



CAD FILE NO.: 16567

PUMP MODEL	PUMP DIMENSIONS - INCHES[MILLIMETERS]														
	A	B	MOTOR FRAME	C	D	E	F	G	H	J	K	L	M	N	
GMS D	1"	2.50*	56 (H)	2.00	3.50*	4.44	8.88	10.14		20.04	19.25	25.25	3.00	4.97	
		[64]	143T/145T	[51]	[89]	[113]	[228]	[258]		[509]	[489]	[841]	[78]		
		2.75 †	182T/184T	4.00	4.50	7.75	15.50	17.50	.56	26.41	23.50	33.50	5.00		[126]
		[70]	213T/215T	[102]	[114]	[197]	[394]	[445]	[14]	[671]	[597]	[851]	[127]		
GMS G	1- 1/2"	3.50*	56 (H)	2.00	3.50*	4.44	8.88	10.14		20.20	19.25	25.25	3.00	5.71	
		[89]	143T/145T	[51]	[89]	[113]	[228]	[258]		[513]	[489]	[841]	[76]		
	3.75 †	182T/184T	4.00	4.50	7.75	15.50	17.50	.56	26.57	23.50	33.50	5.00	[145]		
	[95]	213T/215T	[102]	[114]	[197]	[394]	[445]	[14]	[675]	[597]	[851]	[127]			
GMS J	2"	4.00	182T/184T	4.00	4.50									8.49	
		[102]	213T/215T	[102]	[114]										
	4.00 †	254T/256T	4.00	5.25*	9.50	19.00	21.00	.69	36.16	35.50	45.50	5.00	[216]		
	[102]	284T/286T	[102]	[133]	[241]	[483]	[533]	[18]	[918]	[902]	[1156]	[127]			
GMS N	1- 1/2"	4.50*	182T/184T	4.00	4.50									7.59	
		[114]	213T/215T	[102]	[114]										
	5.00 †	254T/256T	4.00	5.25*	9.50	19.00	21.00	.69	35.44	35.50	45.50	5.00	[193]		
	[127]	284T/286T	[102]	[133]	[241]	[483]	[533]	[18]	[900]	[902]	[1158]	[127]			
2- 1/2"	6.00 †	324T/326T	4.00	6.25	9.50	19.00	21.00	.69	35.44	35.50	45.50	5.00	8.70		
	[152]		[102]	[159]	[241]	[483]	[533]	[18]	[900]	[902]	[1158]	[127]	[221]		
	7.19 †			7.00									*		
3"	[183]			8.00											

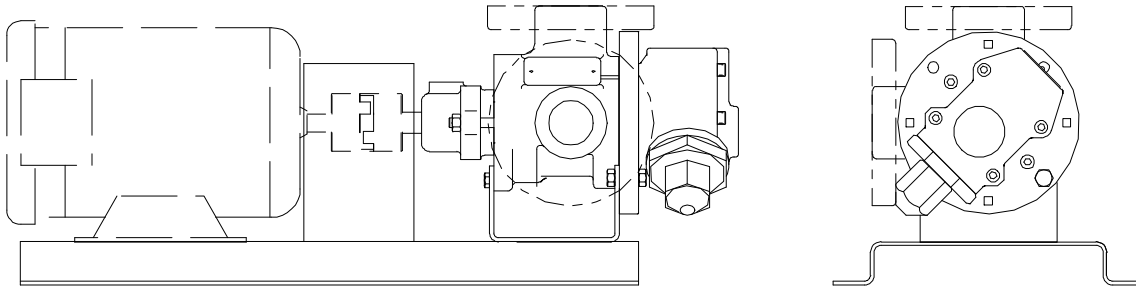
* STANDARD DIMENSION

† 180° HOUSING

┆ PORTS ARE COMPATIBLE WITH 125# OR 250# ANSICAST IRON FLANGES. ALL OTHER PORTS ARE TAPPED NPT FOR ANSIPIPE. OPTIONAL (DIN) FLANGES OR TAPPED (BSP) PORTS AVAILABLE FOR EXPORT MARKET.

DIRECT FLEX DRIVE OPTIONS

Drive Assembly Number Includes Base, Coupling & Guard, But **Not** the Motor



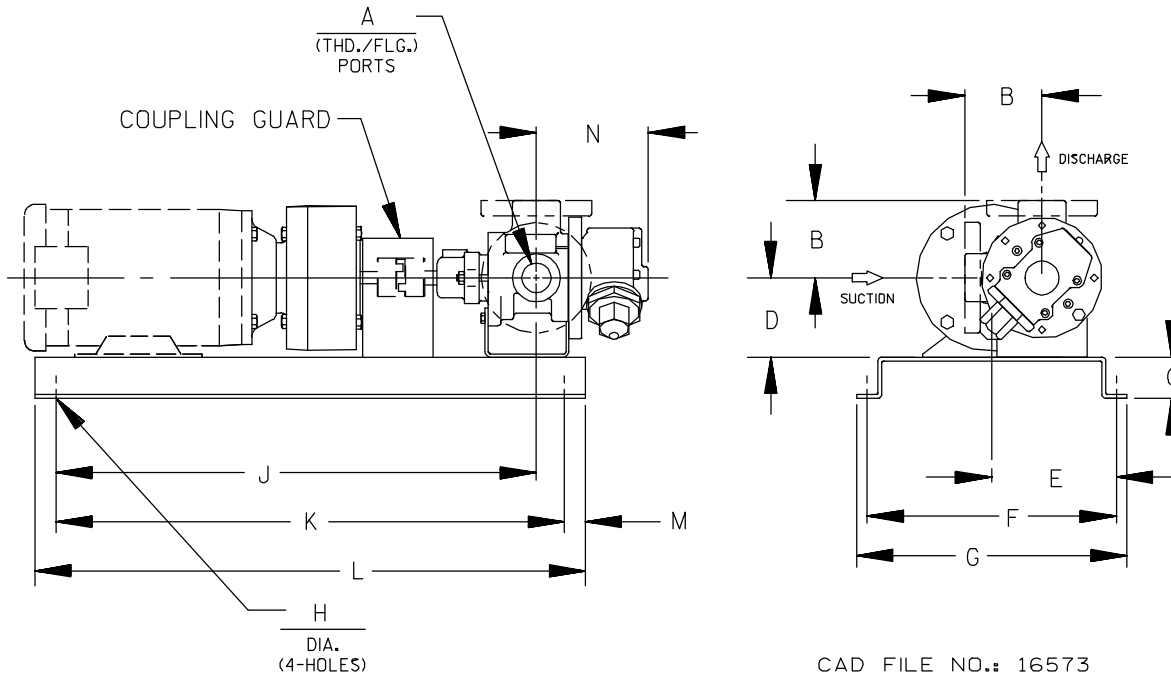
CAD FILE NO.: 16567

PUMP MODEL NUMBER	60 HZ. RPM	FRAME	MTG. FT. OPTION REQ.	DRIVE ASSY NO.
GMS D	1750 1150 850	56/56H	STD	90251-082
		143T/145T	STD	90251-084
		182T/184T	80F	90251-090
		213T/215T	80J	90251-094
GMS G	1750 1150 850	56/56H	STD	90251-160
		143T/145T	STD	90251-162
		184	80F	90221-156
		182T/184T	80F	90251-168
		213T/215T	80J	90251-176
		254T	80P	90251-180
GMS J	850	182T/184T	80F	90251-310
		213T/215T	STD	90251-318
		254T/256T	80P	90251-330
		284T/286T	80S	90251-338
GMS N	850	254T/256T	80P	90251-394
		284T/286T	80S	90251-402
		324T/326T	80V	90251-410

NOTE: CONSULT FACTORY FOR OPTIONS NOT SHOWN.



GRR REDUCER C-FLANGE FLEX DRIVE OPTION DIMENSIONS (56C - 215TC Frame Size Range)



CAD FILE NO.: 16573

PUMP MODEL	PUMP DIMENSIONS														
	A	B	MOTOR FRAME	C	D	E	F	G	H	J	K	L	M	N	
GMS D	1"	2.50 * [64]	56C	2.00 [51]	3.50 * [89]	6.50 [165]	13.00 [330]	15.00 [381]	.56 [14]	19.98 [507]	25.50 [648]	31.50 [800]	3.00 [76]	4.98 [126]	
		2.75 † [70]	184C			7.31 [186]	14.62 [371]	16.62 [422]		26.68 [678]	37.25 [946]	43.25 [1098]			
		3.19 † [61]	143TC/145TC												
		4.00 † [102]	182TC/184TC												
GMS G	1-1/2"	3.50 * [89]	56C	2.00 [51]	3.50 * [89]	6.50 [165]	13.00 [330]	15.00 [381]	.58 [14]	20.11 [511]	25.50 [648]	31.50 [800]	3.00 [76]	5.72 [145]	
		3.75 † [95]	184C			7.31 [186]	14.62 [371]	16.62 [422]		26.81 [681]	37.25 [946]	43.25 [1098]			
	4.00 † [102]	143TC/145TC	4.50 [114]												
	4.00 † [102]	182TC/184TC	5.25 [133]												
GMS J	2"	4.50 * [114]	182TC/184TC	2.00 [51]	4.50 [114]	7.31 [186]	14.62 [371]	16.62 [422]	.56 [14]	30.20 [767]	32.00 [813]	38.00 [965]	3.00 [76]	8.50 [216]	
		5.00 † [127]													
	6.00 † [152]	213TC/215TC	5.25 * [133]												
6.31 † [160]															
GMS N	1-1/2"			2.00 [51]		7.31 [186]	14.62 [371]	16.62 [422]	.56 [14]	* 29.48 [749]			3.00 [76]	7.59 [193]	
	2"	5.12 * [130]	182TC/184TC		4.50 [114]										
	2-1/2"		213TC/215TC		5.25 * [133]										
		7.19 † [183]													
3"															

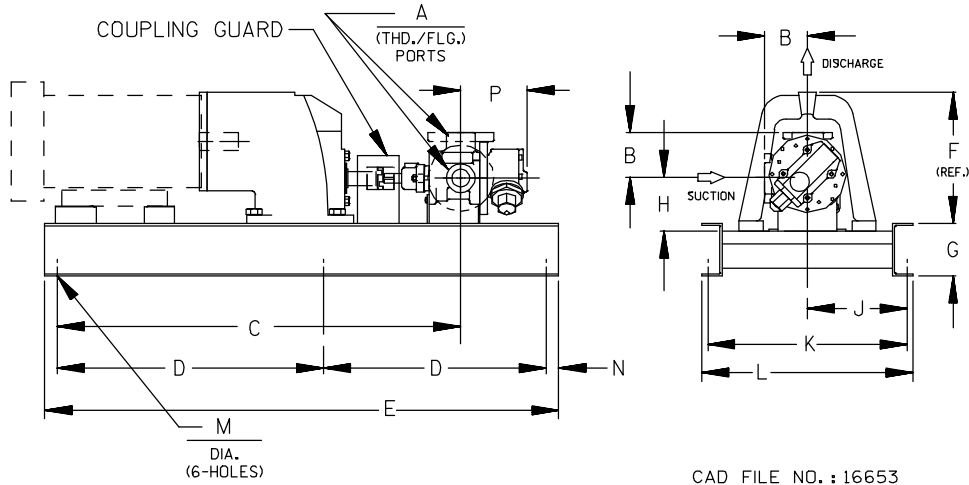
* STANDARD DIMENSION

† 180° HOUSING

‡ PORTS ARE COMPATIBLE WITH 125# OR 250# ANSI/AST IRON FLANGES. ALL OTHER PORTS ARE TAPPED NPT FOR ANSI PIPE. OPTIONAL (DIN) FLANGES OR TAPPED (BSP) PORTS AVAILABLE FOR EXPORT MARKET.



GRR REDUCER C-FLANGE FLEX DRIVE OPTION DIMENSIONS (213TC - 326TC Frame Size Range)



CAD FILE NO. : 16653

PUMP MODEL	PUMP DIMENSIONS														
	A	B	MOTOR FRAME	C	D	E	F	G	H	J	K	L	M	N	P
GMS J	2"	4.50 * [114]	213TC/215TC	41.57 [1056]	23.00 [584]	56.00 [1422]	12.14 [308]								
	2 1/2"	5.00 † [127]	254TC/256TC	42.03 [1068]				8.00 [203]	6.25 [159]	10.12 [257]	20.25 [514]	22.50 [572]	.69 [18]	5.00 [127]	8.49 [216]
		6.00 † [152]	254TC/256TC	44.76 [1137]	24.12 [613]	58.25 [1480]									
	3"	6.31 † [160]	284TC/286TC	46.98 [1183]	25.75 [654]	61.50 [1562]	14.91 [378]								
GMS N	1 1/2"		213TC/215TC	41.98 [1066]											
	2"	5.12 * [130]	213TC/215TC	40.85 [1038]	23.00 [584]	56.00 [1422]	12.14 [308]								
				254TC/256TC	42.42 [1077]										
	2 1/2"	7.19 † [183]	254TC/256TC	41.31 [1049]	24.12 [613]	58.25 [1480]		8.00 [152]	6.25 [159]	10.12 [257]	20.25 [514]	22.50 [572]	.69 [18]	5.00 [127]	8.70 [221]
3"		284TC/286TC	45.15 [1147]	25.75 [654]	61.50 [1562]	14.91 [379]								*	
GMS R	2"		184TC	38.50 [978]	22.62 [575]	55.25 [11403]	10.80 [274]								
	2 1/2"	6.50 * [165]	213TC/215TC												
				213TC/215TC	43.80 [1112]	25.28 [642]	60.56 [1538]	12.26 [311]	8.00 [203]	7.00 [178]	10.38 [264]	20.75 [527]	23.00 [584]	.69 [18]	5.00 [127]
	3"	7.19 † [183]	254TC/256TC												
4"		254TC/256TC	48.75 [1238]	27.75 [705]	65.50 [1664]	16.04 [407]									
		284TC/286TC													

* STANDARD DIMENSION

† 180° HOUSING

‡ PORTS ARE COMPATIBLE WITH 125* OR 250* ANSI/AST IRON FLANGES. ALL OTHER PORTS ARE TAPPED NPT FOR ANSI PIPE. OPTIONAL (DIN) FLANGES OR TAPPED (BSP) PORTS AVAILABLE FOR EXPORT MARKET.

CROSS REFERENCE OF MOTOR FRAMES TO GEARBOX RATIOS:

- Ⓐ 2:1, 3.15:1 (15 hp Only), 2.5:1
- Ⓑ 3.15:1 (20 hp Only), 4:1, 5:1
- Ⓒ 2.5:1, 4:1
- Ⓓ 3.15:1, 5:1

REFERENCE: PUMP FOOT BRACKET OPTIONS

MOTOR FRAME	CENTER HEIGHT	PUMP OPTION
213TC thru 286TC	6.25"	80P ("J" & "N" Size Only)
182TC thru 326TC	7.00"	STD ("R" Size Only)



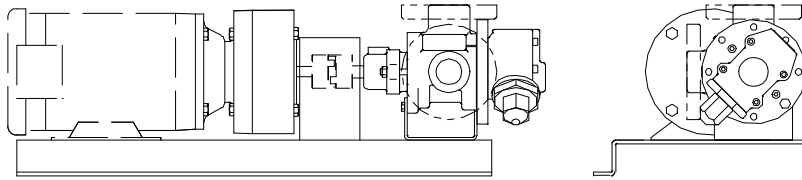
GMS

SEC. 525

PAGE 19
January 2010

GRR REDUCER C-FLANGE FLEX DRIVE OPTIONS

(Drive Assembly Number Includes Base, Coupling, Guard and Gear Reducer, But **NOT** the Motor)



CAD FILE NO.: 16573

PUMP MODEL	RPM @ 1750	RPM @ 1150	REDUCER ①		FRAME	MTG.FT. OPTION REQ.	DRIVE ASSY NO.	
			MAX HP @ 1750	MAX HP @ 1150				
GMS D	875	575	2.00:1	5.65	3.73	56C	STD	90253-510
				11.70	7.72	143TC/145TC	STD	90253-516
				11.70	7.72	182C/184C	80F	90253-519
				13.01	8.59	182TC/184TC	80F	90253-526
	580	383	3.00:1	3.76	2.48	56C	STD	90253-530
				8.10	5.35	143TC/145TC	STD	90253-533
				8.10	5.35	182C/184C	80F	90253-539
				10.62	7.01	182TC/184TC	80F	90253-546
	440	288	4.00:1	2.82	1.86	56C	STD	90253-550
				5.90	3.89	143TC/145TC	STD	90253-553
				5.90	3.89	182C/184C	80F	90253-562
				7.24	4.78	182TC/184TC	80F	90253-566
	350	230	5.00:1	2.26	1.49	56C	STD	90253-570
				5.20	3.43	143TC/145TC	STD	90253-573
				5.20	3.43	182C/182C	80F	90253-582
				5.98	3.95	182TC/184TC	80F	90253-586
GMS G	875	575	2.00:1	5.65	3.73	56C	STD	90253-610
				11.70	7.72	143TC/145TC	STD	90253-616
				11.70	7.72	182C/184C	80F	90253-624
				13.01	8.59	182TC/184TC	80F	90253-626
				13.01	8.59	213TC/213TC	80J	90253-628
	580	383	3.00:1	3.76	2.48	56C	STD	90253-630
				8.10	5.35	143TC/145TC	STD	90253-639
				8.10	5.35	182C/184C	80F	90223-639
				10.62	7.01	182TC/184TC	80F	90253-646
				10.62	7.01	213TC/215TC	80J	90253-648
	440	288	4.00:1	2.82	1.86	56C	STD	90253-660
				5.90	3.89	143TC/145TC	STD	90253-663
				5.90	3.89	182C/184C	80F	90253-672
				7.24	4.78	182TC/184TC	80F	90253-675
	350	230	5.00:1	7.24	4.78	213TC	80J	90253-677
				2.26	1.49	56C	STD	90253-690
5.20				3.43	143TC/145TC	STD	90253-693	
5.20				3.43	182C/184C	80F	90253-702	
350	230	5.00:1	5.89	3.95	182TC/184TC	80F	90253-705	
			5.89	3.95	213TC	80J	90253-707	
			5.89	3.95	213TC	80J	90253-707	

(CONT'D)

① Listed reducer horsepower rated for Standard Service (8-10 hrs/day). For Light Service (3-5 hrs/day) multiply maximum rated horsepower by 1.1. For Heavy Service (16-24 hrs/day) multiply maximum rated horsepower by 0.9.

NOTE: CONSULT FACTORY FOR OPTIONS NOT SHOWN.



GMS

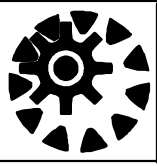
GRR REDUCER C-FLANGE FLEX DRIVE OPTIONS

(Drive Assembly Number Includes Base, Coupling, Guard and Gear Reducer, But **NOT** the Motor)

PUMP MODEL	RPM @ 1750	RPM @ 1150	REDUCER ^①		FRAME	MTG.FT. OPTION REQ.	DRIVE ASSY NO.	
			MAX HP @ 1750	MAX HP @ 1150				
GMS J	875	575	2.00:1	13.01	8.59	182TC/184TC	80F	90253-722
				13.01	8.59	213TC/215TC	STD	90253-724
				36.29	23.95	254TC/256TC	80P	90253-728
				36.29	23.95	284TC/286TC	80P	90253-732
	580	383	3.00:1	10.62	7.01	182TC/184TC	80F	90253-735
				10.62	7.01	213TC/215TC	80J	90253-741
	550	365	3.15:1	25.76	17.00	254TC/256TC	80P	90253-743
				25.76	17.00	284TC	80P	90253-746
				42.96	28.35	286TC	80P	90253-747
	440	288	4.00:1	7.24	4.78	182TC/184TC	80F	90253-750
				7.24	4.78	213TC	80J	90253-754
	350	230	5.00:1	5.98	3.95	182TC/184TC	80F	90253-767
				5.98	3.95	213TC	STD	90253-769
				16.01	10.57	215TC	80P	90253-774
				30.49	20.12	254TC/256TC	80J	90253-778
	GMS N	875	575	2.00:1	13.01	8.59	213TC/215TC	STD
36.29					23.95	254TC/256TC	80P	90253-801
36.29					23.95	284TC/286TC	80P	90253-805
580		383	3.00:1	10.62	7.01	213TC/215TC	STD	90253-814
550		365	3.15:1	25.76	17.00	254TC/256TC	80P	90253-819
				42.96	28.35	284TC/286TC	80P	90253-820
440		288	4.00:1	7.24	4.78	213TC	STD	90253-827
350		230	5.00:1	5.98	3.95	213TC	STD	90253-842
				16.01	10.57	215TC	80P	90253-845
				30.49	20.12	254TC/256TC	80P	90253-847
GMS R	640	417	2.76:1	80.20	52.93	324TC	STD	90253-874
				80.20	52.93	364TC	STD	90253-878
	555	365	3.15:1	10.10	6.66	213TC/215TC	STD	90253-881
				25.76	17.00	254TC/256TC	STD	90253-886
				42.96	28.35	284TC/286TC	STD	90253-891
	520	340	3.38:1	66.20	43.69	324TC	STD	90253-896
				66.20	43.69	326TC	STD	90253-898
	440	288	4.00:1	9.42	6.22	184TC	STD	90253-901
				20.00	13.20	213TC/215TC	STD	90253-904
				38.16	25.18	254TC/256TC	STD	90253-909
				38.16	25.18	284TC	STD	90253-913
	420	278	4.13:1	40.40	26.40	286TC	STD	90253-916
				54.40	35.90	324TC	STD	90253-918
	350	230	5.00:1	6.10	4.03	184TC	STD	90253-921
				16.01	10.57	213TC/215TC	STD	90253-924
				30.49	20.12	254TC/256TC	STD	90253-929
30.49				20.12	284TC/286TC	STD	90253-933	

① Listed reducer horsepower rated for Standard Service (8-10 hrs/day). For Light Service (3-5 hrs/day) multiply maximum rated horsepower by 1.1. For Heavy Service (16-24 hrs/day) multiply maximum rated horsepower by 0.9.

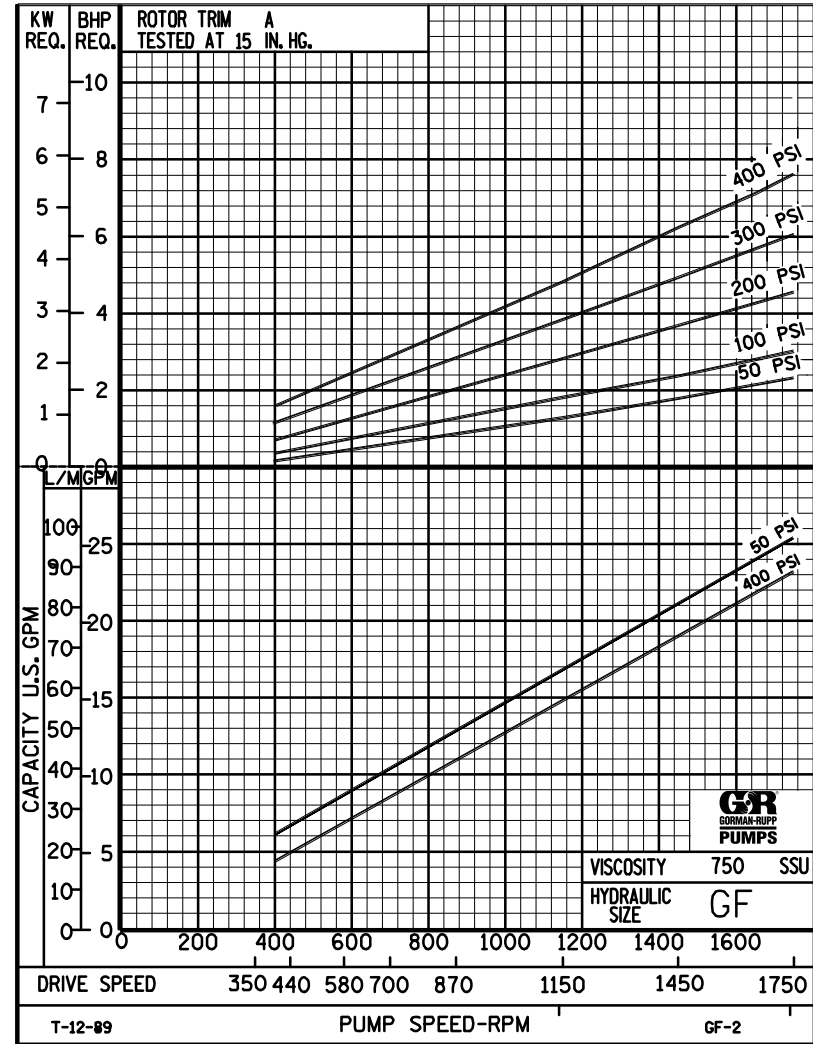
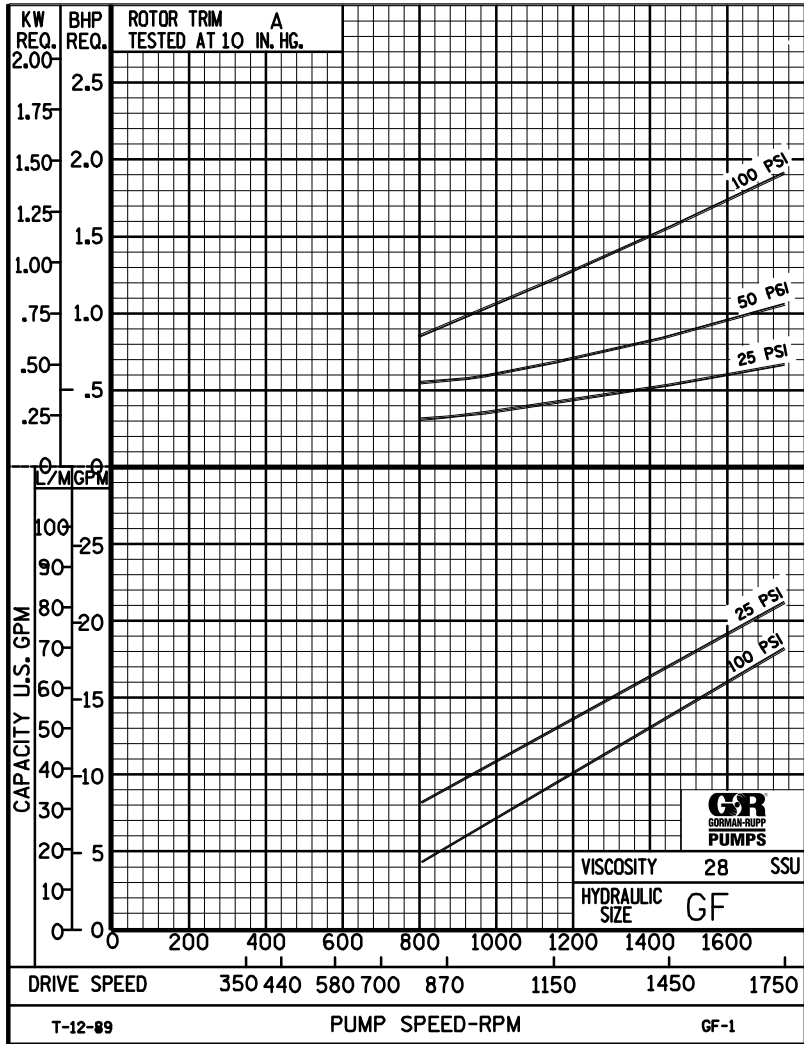
NOTE: CONSULT FACTORY FOR OPTIONS NOT SHOWN.



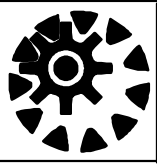
PERFORMANCE CURVES

SPEED VS. CAPACITY/HORSEPOWER

GF Hydraulic Size



THE GORMAN-RUPP COMPANY • MANSFIELD, OHIO
 GORMAN-RUPP OF CANADA LIMITED • ST. THOMAS, ONTARIO, CANADA



PERFORMANCE CURVES

SPEED VS. CAPACITY/HORSEPOWER

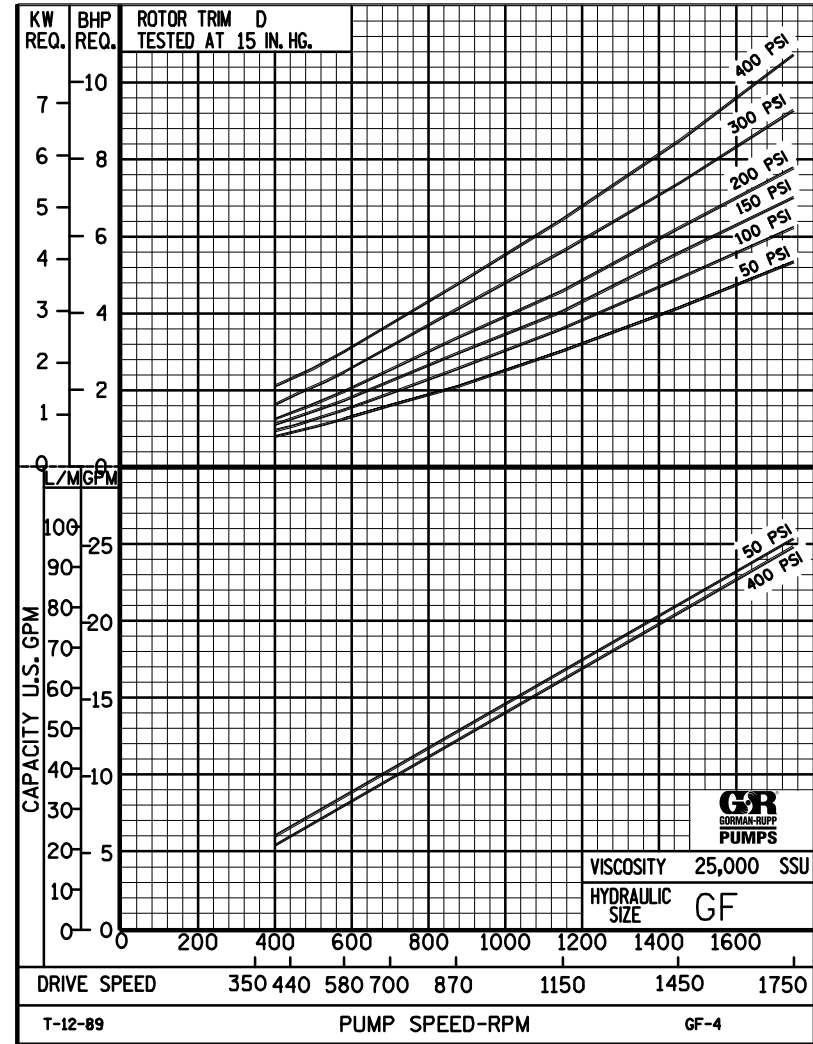
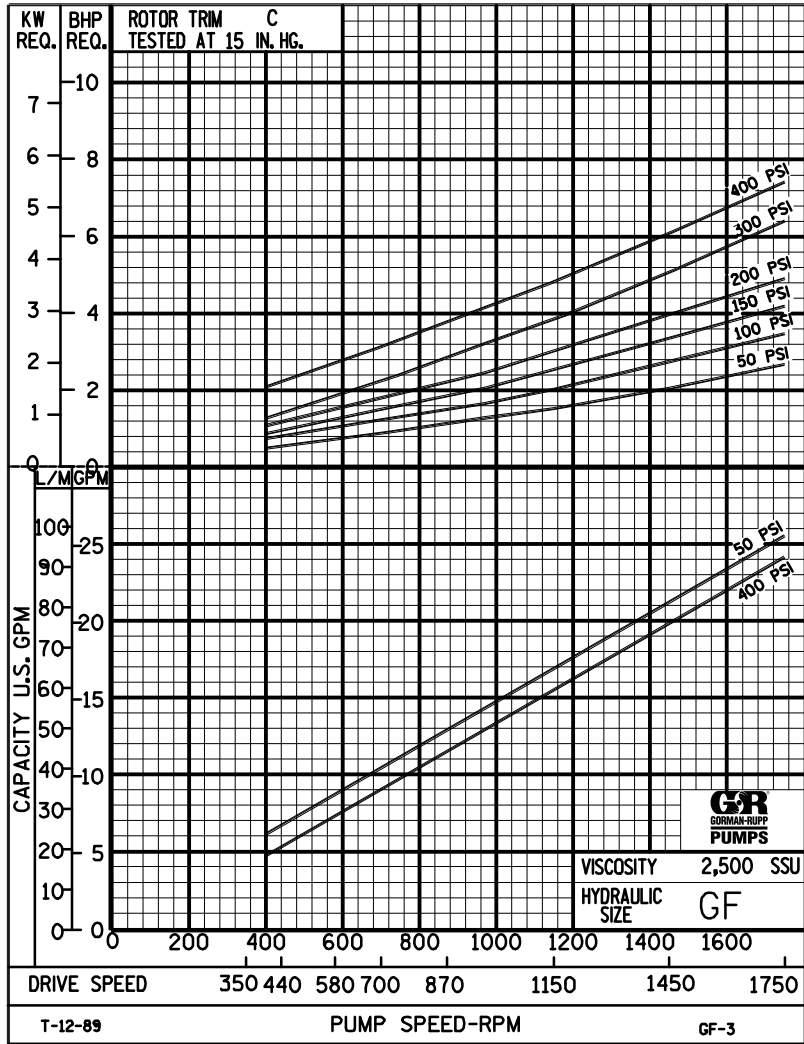
GF

Hydraulic Size

SEC. 500

Page 45

January 2010



THE GORMAN-RUPP COMPANY • MANSFIELD, OHIO
 GORMAN-RUPP OF CANADA LIMITED • ST. THOMAS, ONTARIO, CANADA

Printed in U.S.A.



GF

PUMP HYDRAULIC SIZE CHART

SEC. 500

Page 46

January 2010

**23 GPM
1750 RPM**

NOMINAL		ROTOR TRIM	VISCOSITY (SSU)	N.I.P.R. (PSIA)	FRICTION PIPE LOSS (PSI/FT) <small>(Based on Sch 40 Steel Pipe)</small>					FULL BYPASS RELIEF VALVE PRESSURE (PSI)					CAPACITY (GPM) / H.P. REQUIRED								
CAP. GPM	SPEED RPM				PIPE DIAMETER					CRACKING PRESS. (PSI)					DIFFERENTIAL PRESSURE (PSI)								
					3/4"	1"	1 1/4"	1 1/2"	2"	LOW PRES R/V			HI PRES R/V		MEDIUM DUTY AND HEAVY DUTY				HEAVY DUTY ONLY				
							50	75	100	150	200	25	50	75	100	150	200	300	400				
23	1750	STD	28	3.9	.01	.01	.01	.01	.01	63	89	117				21	20	19	18				
			32		.36	.12	.03	.02	.01							.69	1.1	1.5	1.9				
			38	3.9	.46	.15	.04	.02	.01	63	89	117	167			22	21	21	19	18			
			50		.56	.18	.05	.03	.01							.92	1.1	1.7	2.1	2.9			
			70	3.9	.63	.20	.06	.03	.01	64	90	119	167	230		23	23	22	21	20	20		
			100		.74	.24	.07	.03	.01							1.1	1.4	1.8	2.2	3.1	3.8		
			150	3.9	.83	.27	.08	.04	.01	64	90	119	167	230		24	24	23	22	22	22	21	19
			200		.87	.31	.10	.05	.02							1.4	1.6	2.1	2.4	3.2	3.9	5.3	6.6
			300	3.9	.90	.34	.12	.06	.03	65	91	123	167	230		25	24	24	23	23	23	22	21
			500		1.47	.56	.19	.10	.04							1.6	1.9	2.4	2.7	3.4	4.2	5.6	6.9
		750	3.9	2.20	.84	.28	.15	.06	65	91	123	167	230		25	25	25	24	24	24	24	23	
		1,000		2.94	1.12	.38	.20	.08							1.8	2.2	2.7	3.0	3.7	4.4	5.8	7.1	
		"C"	2,000	5.0	5.87	2.24	.75	.40	.15	69	97	124	168	232		25	25	25	25	25	24	24	24
			3,500		10.3	3.91	1.31	.71	.26							2.4	2.9	3.6	3.7	4.4	4.9	6.4	7.6
			5,000	5.8	14.7	5.59	1.87	1.01	.37	74	100	127	170	233		25	25	25	25	25	25	24	24
			7,500		22.0	8.40	2.80	1.51	.56							3.1	3.4	4.1	4.4	5.1	5.8	7.3	8.3
			10,000	6.5	29.4	11.2	3.73	2.01	.74	79	104	130	172	233		25	25	25	25	25	25	25	24
			15,000		44.0	16.8	5.60	3.02	1.11							3.7	4.1	4.6	5.2	5.9	6.6	8.2	9.3
			20,000	7.1	58.7	22.4	7.46	4.03	1.48	84	109	134	175	234		25	25	25	25	25	25	25	24
			25,000		73.4	28.0	9.32	5.03	1.85							4.2	4.6	5.5	6.2	7.0	7.8	9.3	11
"D"	50,000																						
	75,000																						
	100,000																						
	150,000																						
	200,000																						
250,000																							

(NOTE) For speeds not shown on the pump hydraulic charts, consult factory.



GF

PUMP HYDRAULIC SIZE CHART

SEC. 500

Page 47

January 2010

**15 GPM
1150 RPM**

NOMINAL		ROTOR TRIM	VISCOSITY (SSU)	N.I.P.R. (PSIA)	FRICTION PIPE LOSS (PSI/FT) <small>(Based on Sch 40 Steel Pipe)</small>					FULL BYPASS RELIEF VALVE PRESSURE (PSI)					CAPACITY (GPM) / H.P. REQUIRED											
CAP. GPM	SPEED RPM				PIPE DIAMETER					CRACKING PRESS. (PSI)					DIFFERENTIAL PRESSURE (PSI)											
					3/4"	1"	1 1/4"	1 1/2"	2"	LOW PRES R/V			HI PRES R/V		MEDIUM DUTY AND HEAVY DUTY				HEAVY DUTY ONLY							
15	1150	STD	28	2.2	.01	.01	.01	.01	.01	59	86	111				13	11	10	9.5							
			32		.17	.06	.02	.01	.01							.56	.72	.96	1.2							
			38	2.2	.22	.07	.02	.01	.01	59	86	111	161				13	13	11	11	9.5					
			50		.27	.09	.03	.01	.01								.62	.78	1.0	1.3	1.8					
			70	2.2	.30	.10	.03	.01	.01	60	87	113	163	215			14	14	13	12	12	11				
			100		.36	.12	.03	.02	.01								.66	.83	1.1	1.4	1.9	2.4				
			150	2.2	.41	.14	.05	.02	.01	60	87	113	163	217			15	15	14	14	13	13	13	13	12	
			200		.46	.18	.06	.03	.01								.78	.98	1.2	1.5	1.9	2.4	3.5	4.6		
			300	2.2	.58	.22	.08	.04	.02	60	87	115	165	219			16	15	15	15	15	14	14	14	13	
			500		.96	.37	.12	.07	.03								.94	1.2	1.4	1.6	2.1	2.6	3.6	4.7		
		750	2.2	1.44	.55	.18	.10	.04	60	87	115	165	222			16	16	16	16	16	15	15	15	14		
		1,000		1.92	.73	.25	.13	.05								1.1	1.3	1.5	1.7	2.2	2.7	3.7	4.8			
		2,000	2.8	3.83	1.46	.49	.26	.10	62	90	115	165	222			17	17	16	16	16	16	15	15			
		3,500		6.70	2.55	.85	.46	.17								1.4	1.8	2.0	2.1	2.6	3.1	4.1	5.1			
		5,000	3.2	9.57	3.64	1.22	.66	.24	65	92	117	167	224			17	17	16	16	16	16	16	16			
		7,500		14.4	5.46	1.83	.99	.36								1.6	2.0	2.2	2.4	2.9	3.5	4.4	5.4			
		10,000	3.6	19.1	7.29	2.43	1.31	.49	68	94	119	169	224			17	17	16	16	16	16	16	16			
		15,000		28.7	10.9	3.65	1.97	.73								1.9	2.4	2.7	3.0	3.5	4.0	4.8	5.9			
		20,000	3.9	38.3	14.6	4.87	2.63	.97	72	97	122	172	224			17	17	16	16	16	16	16	16			
		25,000		47.8	18.2	6.08	3.28	1.21								2.2	2.8	3.2	3.5	4.0	4.5	5.3	6.5			
50,000	6.1	95.7	36.4	12.2	6.56	2.42	77	102	127	177	229			17	16	16	16	16	16	16	16					
75,000		144	54.6	18.3	9.85	3.63								3.6	4.5	5.1	5.7	6.3	6.8	7.7	8.8					
100,000																										
150,000																										
200,000																										
250,000																										

(NOTE) For speeds not shown on the pump hydraulic charts, consult factory.



GF

PUMP HYDRAULIC SIZE CHART

SEC. 500

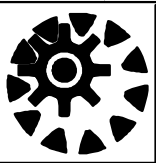
Page 48

January 2010

**11 GPM
870 RPM**

NOMINAL		ROTOR TRIM	VISCOSITY (SSU)	N.I.P.R. (PSIA)	FRICTION PIPE LOSS (PSI/FT) (Based on Sch 40 Steel Pipe)					FULL BYPASS RELIEF VALVE PRESSURE (PSI)					CAPACITY (GPM) / H.P. REQUIRED									
CAP. GPM	SPEED RPM				PIPE DIAMETER					CRACKING PRESS. (PSI)					DIFFERENTIAL PRESSURE (PSI)									
		3/4"	1"	1 1/4"	1 1/2"	2"	LOW PRES R/V		HI PRES R/V			MEDIUM DUTY AND HEAVY DUTY				HEAVY DUTY ONLY								
						50	75	100	150	200	25	50	75	100	150	200	300	400						
11	870	STD	28	1.5	.01	.01	.01	.01	.01	57	82	107			9	8	7	6						
			32		.10	.03	.01	.01	.01					.32	.53	.71	.91							
			38	1.5	.13	.04	.01	.01	.01	57	82	107	158			10	9	8	7.5	6.5				
			50		.16	.05	.02	.01	.01					.50	.59	.85	1.1	1.4						
			70	1.5	.18	.06	.02	.01	.01	57	82	108	159	210			10	10	9.5	9	8	7		
			100		.21	.06	.02	.01	.01					.54	.63	.88	1.1	1.5	1.8					
			150	1.5	.26	.09	.03	.01	.01	58	83	109	159	212			11	11	10	10	10	9.5	9.5	8
			200		.33	.12	.05	.02	.01					.61	.71	.94	1.2	1.5	1.8	2.5	3.3			
			300	1.5	.43	.16	.06	.03	.01	58	83	110	160	213			12	12	11	11	11	10	10	9.5
			500		.70	.27	.09	.05	.02					.69	.81	1.0	1.3	1.6	1.9	2.5	3.5			
			750	1.5	1.05	.40	.14	.07	.03	58	83	112	162	215			12	12	12	12	12	11	11	11
			1,000		1.41	.54	.18	.10	.04					.79	.93	1.1	1.3	1.7	2.0	2.6	3.6			
		2,000	2.0	2.81	1.07	.36	.19	.07	59	86	113	163	215			13	12	12	12	12	12	11	11	
		3,500		4.91	1.87	.63	.34	.13					.98	1.2	1.3	1.5	1.8	2.2	2.8	3.7				
		5,000	2.4	7.02	2.67	.89	.48	.18	61	86	113	163	215			13	12	12	12	12	12	12	11	
		7,500		10.5	4.00	1.34	.72	.27					1.3	1.5	1.7	1.9	2.2	2.6	3.2	4.1				
		10,000	2.7	14.0	5.34	1.78	.96	.36	64	89	115	167	217			13	12	12	12	12	12	12	12	
		15,000		21.1	8.01	2.68	1.45	.53					1.5	1.8	2.1	2.3	2.6	2.9	3.6	4.4				
		20,000	3.0	28.1	10.7	3.57	1.93	.71	67	92	117	169	219			13	12	12	12	12	12	12	12	
		25,000		35.1	13.4	4.46	2.41	.89					1.9	2.2	2.4	2.5	2.9	3.3	4.1	4.8				
		50,000	4.9	70.2	26.7	8.92	4.81	1.77	70	95	123	173	225			13	12	12	12	12	12	12	12	
		75,000		105	40.1	13.4	7.22	2.66					2.9	3.4	3.6	3.8	4.2	4.6	5.4	6.1				
		100,000	7.1	140	53.4	17.9	9.63	3.55	74	99	127	177	231			12	12	12	12	12	12	12	12	
		150,000		211	80.1	26.8	14.5	5.32					3.6	4.3	4.5	4.7	5.1	5.4	6.2	6.9				
200,000																								
250,000																								

(NOTE) For speeds not shown on the pump hydraulic charts, consult factory.



GF

PUMP HYDRAULIC SIZE CHART

SEC. 500

Page 49

January 2010

8 GPM
580 RPM

NOMINAL		ROTOR TRIM	VISCOSITY (SSU)	N.I.P.R. (PSIA)	FRICTION PIPE LOSS (PSI/FT) (Based on Sch 40 Steel Pipe)					FULL BYPASS RELIEF VALVE PRESSURE (PSI)					CAPACITY (GPM) / H.P. REQUIRED											
CAP. GPM	SPEED RPM				PIPE DIAMETER					CRACKING PRESS. (PSI)					DIFFERENTIAL PRESSURE (PSI)											
					3/4"	1"	1 1/4"	1 1/2"	2"	LOW PRES R/V		HI PRES R/V			MEDIUM DUTY AND HEAVY DUTY				HEAVY DUTY ONLY							
8	580	STD	28	1.1	.01	.01	.01	.01	.01	56	81	106			6	5	4.5	4								
			32		.06	.02	.01	.01	.01						.21	.35	.47	.61								
			38	1.1	.07	.03	.01	.01	.01	56	81	106	157			6.5	6	5.5	4.5	4						
			50		.09	.03	.01	.01	.01							.34	.40	.57	.74	.92						
			70	1.1	.10	.04	.01	.01	.01	56	81	107	158	209			7	6.5	6	6	5.5	4.5				
			100		.10	.04	.01	.01	.01								.36	.42	.59	.76	.98	1.2				
			150	1.1	.15	.05	.02	.01	.01	57	82	108	158	211			7.5	7.5	7	6.5	6.5	6	6	5		
			200		.24	.08	.03	.02	.01								.41	.48	.63	.78	1.0	1.2	1.7	2.2		
			300	1.1	.31	.12	.04	.02	.01	57	82	109	159	212			8	8	7.5	7	7	7	6.5	6		
			500		.51	.19	.07	.04	.01								.46	.54	.69	.84	1.1	1.3	1.7	2.3		
			750	1.1	.77	.29	.10	.05	.02	57	82	111	161	214			8.5	8	8	8	8	7	7.5	7		
			1,000		1.02	.39	.14	.07	.03								.53	.62	.76	.89	1.1	1.4	1.7	2.4		
				"C"	2,000	1.5	2.04	.78	.26	.14	.05	58	85	112	162	214			8.5	8.5	8	8	8	8	7.5	7.5
					3,500		3.57	1.36	.46	.25	.09								.66	.77	.88	.99	1.2	1.5	1.9	2.5
					5,000	1.9	5.01	1.94	.65	.35	.13	60	85	112	162	214			8.5	8.5	8	8	8	8	8	7.5
					7,500		7.65	2.91	.97	.53	.19								.84	.99	1.1	1.3	1.5	1.7	2.1	2.7
					10,000	2.2	10.2	3.88	1.30	.70	.26	63	88	114	166	216			8.5	8.5	8	8	8	8	8	7.5
					15,000		15.3	5.83	1.95	1.05	.39								1.0	1.2	1.3	1.4	1.6	1.9	2.4	2.9
				20,000	2.5	20.4	7.77	2.59	1.40	.52	66	91	116	168	218			8.5	8.5	8	8	8	8	8	8	
				25,000		25.5	9.71	3.24	1.75	.65								1.0	1.2	1.4	1.5	1.7	2.0	2.5	3.0	
				50,000	4.0	51.1	19.4	6.50	3.50	1.29	68	93	120	170	222			8.5	8.5	8	8	8	8	8	8	
				75,000		76.5	29.1	9.73	5.25	1.93								1.6	1.9	2.1	2.2	2.4	2.7	3.2	3.7	
				100,000	6.0	102	38.9	13.0	7.00	2.58	70	95	122	172	224			8.5	8	8	8	8	8	8	8	
				150,000		153	58.3	19.5	10.5	3.87								2.1	2.5	2.6	2.7	3.0	3.2	3.7	4.2	
				200,000	9.4	204	77.7	26.0	14.0	5.15	76	101	130	180	236			8.5	8.5	8.5	8.5	8	8	8	8	
				250,000		-	-	-	-	-								2.5	3.0	3.1	3.2	3.4	3.7	4.2	4.7	

(NOTE) For speeds not shown on the pump hydraulic charts, consult factory.