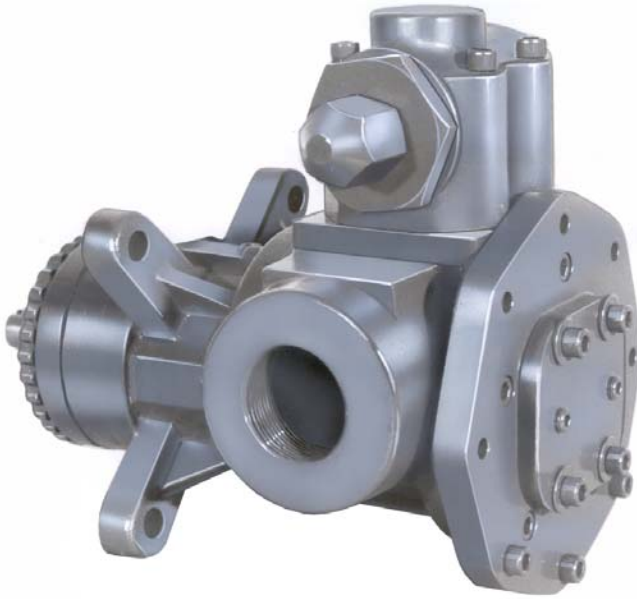


# GHC SERIES HEAVY DUTY COMPACT ROTARY GEAR PUMP



**SHOWN AS FLANGE MOUNT**



**SHOWN WITH FOOT BRACKET**

The GHC iron series is designed for applications in the operating ranges noted below. These units are available with head jackets for temperature control, carbon graphite bushings for low viscosity liquids, silicon carbide bushings for wear resistance, and numerous shaft seal options described on the following pages.

These units may be foot mounted or, by using a motor adaptor, direct connected to NEMA "C" flange motors.

This heavy duty series provides superior rotor shaft support and an integral, maintenance-free radial/ thrust bearing for reduced deflection and wear.

### FEATURES

*300 PSI CAPABILITY  
 BALL BEARING THRUST CONTROL  
 ROTOR END CLEARANCE EXTERNALLY  
 ADJUSTABLE  
 HIGH STRENGTH, COMPUTER  
 PROFILED GEARING FOR QUIET  
 OPERATION  
 C-FLANGE MOTOR ADAPTATION  
 MULTIPLE PORT POSITIONS*

### OPERATING RANGE

CAPACITY (GPM): (3 TO 107)  
 [LPM]: [11 TO 405]

PRESSURE (PSI) : [0 TO 300]  
 [BAR]: [0 TO 21]

VISCOSITY (SSU): (28 TO 250,000)  
 [cSt]: [1 TO 55,000]

TEMPERATURE (F) : (-60° TO 350°)  
 [C] : [-51° TO 177°]

### APPLICATIONS

USE WITH ANY CLEAN LIQUID  
 COMPATIBLE WITH CAST  
 IRON

- ★ BOOSTER SERVICE
- ★ CIRCULATING
- ★ FILTERING
- ★ LUBRICATING
- ★ TRANSFERRING
- ★ LOW PRESSURE  
 FLUID POWER

EXTER- IOR	ROTOR & IDLER	HOUSING PORTS	BUSHINGS	IDLER PIN	SHAFT	SHAFT SEALING		ROTATION	INTERNAL RELIEF VALVE	
						MECH. SEAL ●	LIPSEAL ■		MATERIAL	SETTING
CAST IRON	HIGH STRENGTH IRON	180° TAPPED	BRONZE	HARDENED STEEL	STEEL	VITON	BUNA-N	C.W.	DUCTILE IRON	75 PSI [5 BAR]

## Standard Models

**G H C 1 DC 3 - B**  
 GEAR DUTY DESIGN PORT SIZE HYDRAULIC SIZE SEAL STYLE

MODEL NUMBER	NOM. CAPACITY - SPEED				MAXIMUM				SHIPPING DATA	
	MAXIMUM		ALTERNATIVE		DIFFERENTIAL PRESSURE-PSI [BAR]			TEMP.	Weight LBS [KG]	Volume CU. FT.
	GPM [LPM]	RPM 60 Hz [50 HZ]	GPM [LPM]	RPM <sup>③</sup> 60 Hz [50 HZ]	BELOW 38 SSU [4 cSt]	38 TO 100 SSU [21 cSt]	100 TO 250,000 SSU [55,000 cSt]	°F [°C]		
<b>GHC 1DC 3-B</b> ● ① <b>GHC 1DC 4-B</b> ■ ①	9 [28]		6 [19]						29 [13,2]	0.6
<b>GHC 1DE 3-B</b> ● ① <b>GHC 1DE 4-B</b> ■ ①	11 [35]		7 [22]						30 [13,6]	0.6
<b>GHC 1-1/2 GC 3-B</b> ● <b>GHC 1-1/2 GC 4-B</b> ■	16 [50]		10 [32]						58 [26,4]	2.9
<b>GHC 2 GC 3-B</b> ● <b>GHC 2 GC 4-B</b> ■							300 [21]		58 [26,4]	2.9
<b>GHC 1-1/2 GF 3-B</b> ● <b>GHC 1-1/2 GF 4-B</b> ■	23 [73]	1750 [1460]	15 [47]	1150 [960]				350 [177]	58 [26,4]	2.9
<b>GHC 2 GF 3-B</b> ● <b>GHC 2 GF 4-B</b> ■					100 [7]	150 [10]			58 [26,4]	2.9
<b>GHC 1-1/2 GH 3-B</b> ● <b>GHC 1-1/2 GH 4-B</b> ■	31 [98]		20 [63]					225 [107]	58 [26,4]	2.9
<b>GHC 2 GH 3-B</b> ● <b>GHC 2 GH 4-B</b> ■									58 [26,4]	2.9
<b>GHC 1-1/2 GJ 3-B</b> ● ② <b>GHC 1-1/2 GJ 4-B</b> ■ ②	38 [120]		25 [79]						58 [26,4]	2.9
<b>GHC 2 GJ 3-B</b> ● ② <b>GHC 2 GJ 4-B</b> ■ ②									58 [26,4]	2.9
<b>GHC 2 JG 3-B</b> ● <b>GHC 2 JG 4-B</b> ■									128 [58,2]	5.3
<b>GHC 2-1/2 JG 3-B</b> ● <b>GHC 2-1/2 JG 4-B</b> ■	40 [126]	1150 [960]	30 [95]	870 [725]				300 [21]	128 [58,2]	5.3
<b>GHC 3 JG 3-B</b> ● <b>GHC 3 JG 4-B</b> ■									128 [58,2]	5.3

STANDARD MODELS  
CONTINUED

● MECHANICAL SEAL      ■ LIPSEAL

**NOTE:** RECOMMENDED PORT SIZES ARE SHOWN IN **BOLDFACE**. EXAMPLE: **GHC 1 DC 3-B**

- ① 3450 [2875] RPM PERMISSIBLE TO 1,000 SSU [220 cSt] AND 100 PSI [7 BAR]
- ② PUMP LIMITED TO 200 PSI MAXIMUM PRESSURE.
- ③ MAXIMUM SPEED FOR AMMONIA MODELS.

**THE GORMAN-RUPP COMPANY • MANSFIELD, OHIO**  
GORMAN-RUPP OF CANADA LIMITED • ST. THOMAS, ONTARIO, CANADA

MODEL NUMBER	NOM. CAPACITY - SPEED				MAXIMUM				SHIPPING DATA	
	MAXIMUM		ALTERNATIVE		DIFFERENTIAL PRESSURE-PSI [BAR]			TEMP.	Weight	Volume
	GPM [LPM]	RPM 60 Hz [50 HZ]	GPM [LPM]	RPM <sup>②</sup> 60 Hz [50 HZ]	BELOW 38 SSU [4 cST]	38 TO 100 SSU [21 cST]	100 TO 250,000 SSU [55,000 cSt]	°F [°C]		
GHC 2 JJ 3-B ● GHC 2 JJ 4-B ■	56 [177]	1150 [960]	42 [133]	870 [725]	100 [7]	150 [10]	300 [21]	350 [177]	132 [60]	5.3
GHC 2-1/2 JJ 3-B ● GHC 2-1/2 JJ 4-B ■									132 [60]	5.3
GHC 3 JJ 3-B ● GHC 3 JJ 4-B ■									132 [60]	5.3
GHC 2 JL 3-B ● GHC 2 JL 4-B ■	77 [243]	1150 [960]	58 [183]	870 [725]	100 [7]	150 [10]	300 [21]	350 [177]	132 [60]	5.3
GHC 2-1/2 JL 3-B ● GHC 2-1/2 JL 4-B ■									132 [60]	5.3
GHC 3 JL 3-B ● GHC 3 JL 4-B ■									132 [60]	5.3
GHC 2 JP 3-B ● ① GHC 2 JP 4-B ■ ①	107 [338]	1150 [960]	81 [256]	870 [725]	100 [7]	150 [10]	200 [14]	225 [107]	132 [60]	5.3
GHC 2-1/2 JP 3-B ● ① GHC 2-1/2 JP 4-B ■ ①									132 [60]	5.3
GHC 3 JP 3-B ● ① GHC 3 JP 4-B ■ ①									132 [60]	5.3

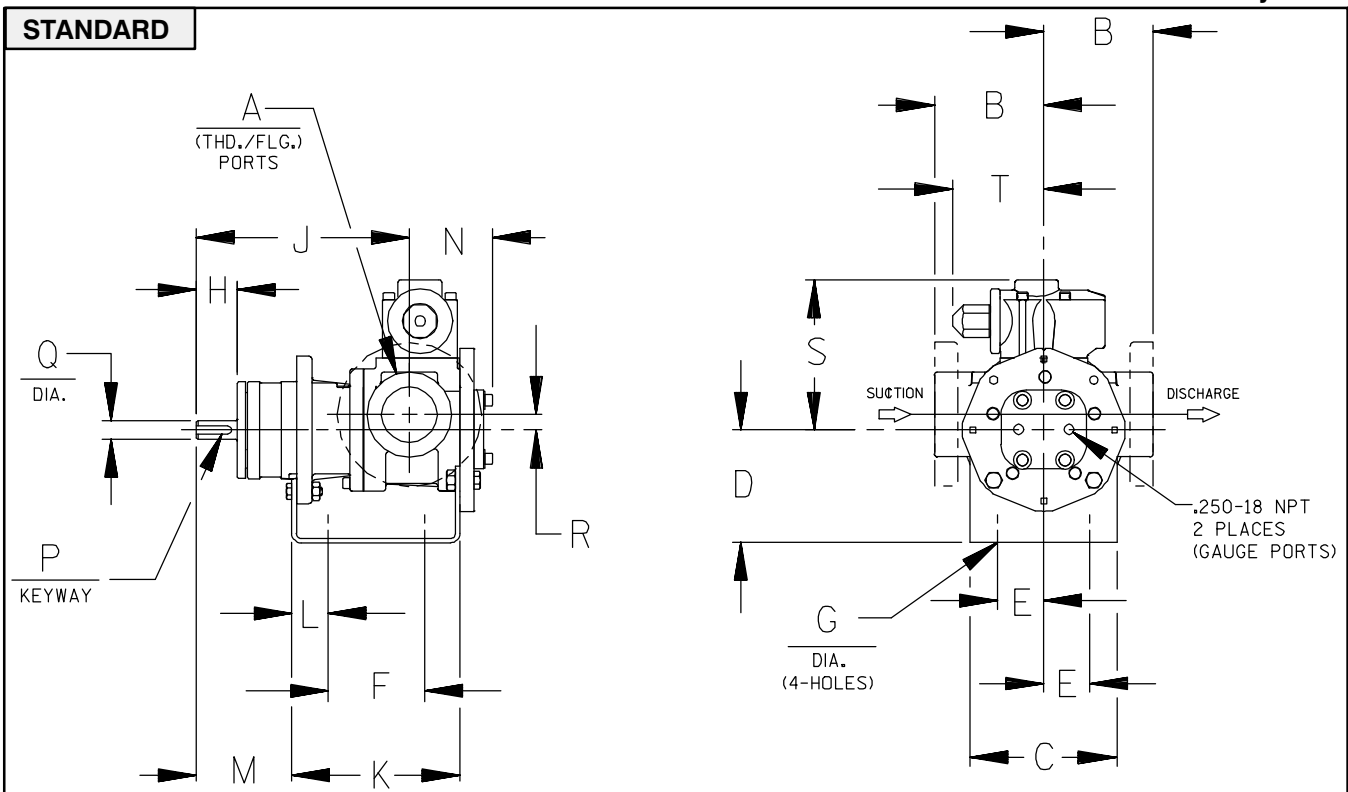
NOTE: RECOMMENDED PORT SIZES ARE SHOWN IN **BOLDFACE**. EXAMPLE: **GHC 1 DC 3-B**

- ① PUMP LIMITED TO 200 PSI MAXIMUM PRESSURE.
- ② MAXIMUM SPEED FOR AMMONIA MODELS.

<b>APPLICATION RECOMMENDATIONS:</b>		
<b>APPLICATION</b>	<b>OPTIONS REQUIRED (Select One from Each Row)</b>	<b>OPERATING LIMITATIONS</b>
AMMONIA	25G, 25H, 25R, 25S, 25T 40N 60K 70E 90A	PRESSURE: 200 PSI MAX. 2/3 RATED SPEED. 4 FEET NPSHr
LP GAS	25G OR 25H 40F OR 40N 70D OR 70E	PRESSURE: 200 PSI MAX. 3 FEET NPSHr

NOTE: PROPER PUMP APPLICATION REQUIRES CONSIDERATION OF ADDITIONAL FACTORS. PLEASE REVIEW APPLICATION GUIDE IN SECTION 500 OR CONSULT THE FACTORY.

# Basic Pump Dimensions



CAD FILE NO.: 16458

MODEL NUMBERS	PUMP DIMENSIONS - INCHES [MILLIMETERS]																			
	A	B	C	D	E	F	G	H	J	K	L	M	N	P	Q	R	S	T		
GHC D	1"	2.50 [64] †	4.00 [102]	3.50* [89]	1.62 [41]	3.12 [79]	.41 [10]	1.16 [30]	6.19 [157]	5.04 [128]	.76 [19]	2.62 [66]	2.74 [70]	.12 [3]	.50 [13]	.62 [16]	5.19 [132]	3.58 [91]		
		2.75* [70]		4.50 [114]										5.25 [133]					.12 [3] x .75 [19]	
GHC G	1-1/2"	3.50 [89] †	5.88 [149]	3.50* [89]	1.62 [41]	4.00 [102]	.41 [10]	1.62	8.50 [216]	6.71 [170]	1.06 [27]	3.82 [97]	3.35 [85]	.19 [5]	.75 [19]	.62 [16]	6.00 [152]	3.62 [92]		
	2"	3.75* [95]		4.50 [114]										5.25 [133]					6.25 [159]	.19 [5] x 1.25 [32]
GHC J	2"	4.50 [114] †	6.88 [175]	4.50 [114]	2.88 [73]	4.25 [108]	.44 [11]	2.50 [64]	12.12 [308]	9.75 [248]	1.75 [44]	5.50 [140]	4.66 [118]	.25 [6] x 2.00 [51]	1.00 [25]	1.12 [28]	9.06 [230]	6.75 [171]		
	2-1/2"	5.00* [127]		5.25* [133]															6.25 [159]	7.00 [178]
	3"	6.00 [152] †		6.25 [159]															7.00 [178]	8.00 [203]

\* STANDARD DIMENSION

† 90° HOUSING

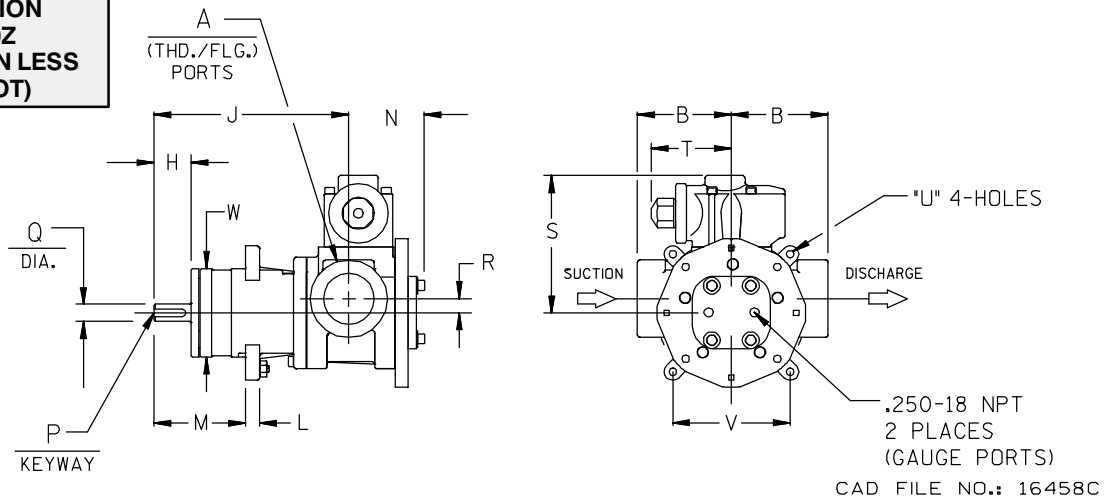
‡ PORTS ARE COMPATIBLE WITH 125\* OR 250\* ANSICAST IRON FLANGES. ALL OTHER PORTS ARE TAPPED NPT FOR ANSIPIPE. OPTIONAL (DIN) FLANGES OR TAPPED (BSP) PORTS AVAILABLE FOR EXPORT MARKET.

Continued —

**THE GORMAN-RUPP COMPANY • MANSFIELD, OHIO**  
GORMAN-RUPP OF CANADA LIMITED • ST. THOMAS, ONTARIO, CANADA

# Basic Pump Dimensions

**OPTION  
80Z  
(SHOWN LESS  
FOOT)**



MODEL NUMBERS	PUMP DIMENSIONS - INCHES [MILLIMETERS]														
	A	B	H	J	L	M	N	P	Q	R	S	T	U	V	W
GHC D	1"	2.50 [64] †	1.16 [30]	6.19 [157]	.44 [11]	2.80 [71]	2.74 [70]	.12 [3] x .75 [19]	.50 [13]	.62 [16]	5.19 [132]	3.58 [91]	.41 [10]	3.00 [76]	2.85 [72]
		2.75* [70]													
		3.19 † [81]													
		4.00 † [102]													
GHC G	1-1/2"	3.50 [89] †	1.62 [41]	8.50 [216]	.62 [16]	4.00 [102]	3.35 [85]	.19 [5] x 1.25 [32]	.75 [19]	.62 [16]	6.00 [152]	3.62 [92]	.53 [13]	4.75 [121]	3.85 [98]
		3.75* [95]													
	2"	4.00 [102] †													
GHC J	2"	4.50 [114] †	2.50 [64]	12.12 [308]	.62 [16]	5.75 [146]	4.66 [118]	.25 [6] x 2.00 [51]	1.00 [25]	1.12 [28]	9.06 [230]	6.75 [171]	.53 [13]	4.75 [121]	4.85 [123]
		5.00* [127]													
	2-1/2"	6.00 † [152]													
	3"	6.31 † [160]													

\* STANDARD DIMENSION

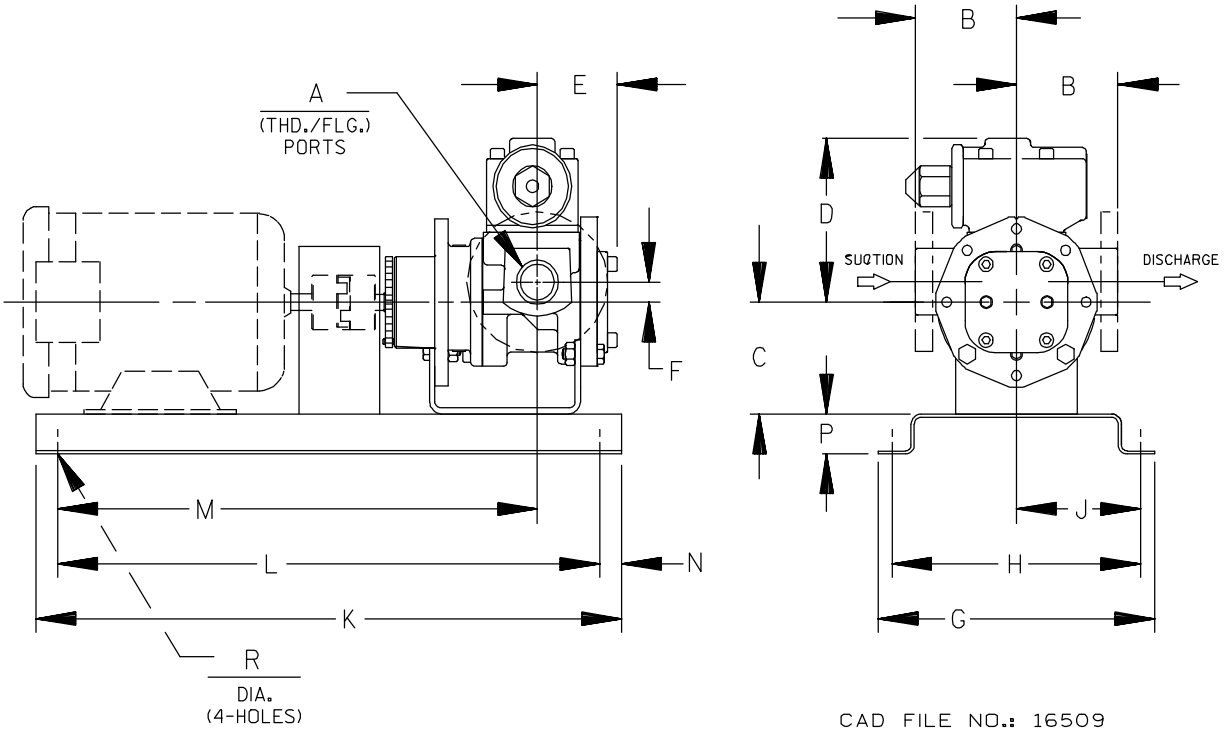
† PORTS ARE COMPATIBLE WITH 125# OR 250# ANSICAST IRON FLANGES. ALL OTHER PORTS ARE TAPPED NPT FOR ANSIPIPE, OPTIONAL (DIN) FLANGES OR TAPPED (BSP) PORTS AVAILABLE FOR EXPORT MARKET.

† 90° HOUSING



# GHC

## DIRECT FLEX DRIVE OPTION DIMENSIONS



CAD FILE NO.: 16509

PUMP MODEL	PUMP DIMENSIONS - INCHES[MILLIMETERS]																
	A	MOTOR FRAME	B	C	D	E	F	G	H	J	K	L	M	N	P	R	
GHC D	1'	56/56 H	2.50 † [64]	3.50 * [89]				10.14 [258]	8.88 [226]	4.44 [113]	25.25 [641]	19.25 [489]	20.50 [521]	3.00 [76]	2.00 [51]	.58 [14]	
		143T/145T	2.75 * [70]														
		182T/184T	3.19 † [81]	4.50 [114]	5.19 [132]	2.73 [68]	.62 [16]	17.50 [445]	15.50 [394]	7.75 [197]	33.50 [851]	23.50 [597]	26.87 [682]	5.00 [127]	4.00 [102]		
		213T/215T	4.00 † [82]	5.25 [133]													
GHC G	1- 1/2"	58/58H	3.50 † [89]	3.50 * [89]				10.14 [258]	8.88 [226]	4.44 [113]	25.25 [641]	19.25 [489]	20.38 [518]	3.00 [76]	2.00 [51]	.56 [14]	
		182T/184T	3.75 * [95]	4.50 [114]	6.00 [152]	3.35 [85]	.62 [16]	17.50 [445]	15.50 [394]	7.75 [197]	33.50 [851]	23.50 [597]	26.75 [679]	5.00 [127]	4.00 [102]		
	2"	213T/215T	4.00 † [102]	5.25 [133]													
		254T/256T	6.25 [159]														
GHC J	2"	182T/184T	4.50 † [114]	4.50 [114]												.69 [18]	
		213T/215T	5.25 * [133]														
	2- 1/2"	254T/256T	5.00 * [127]	6.25 [159]	9.06 [230]	4.66 [118]	1.12 [28]	21.00 [533]	19.00 [483]	9.50 [241]	45.50 [1156]	35.50 [902]	38.38 [975]	5.00 [127]	4.00 [102]		
		284T/286T	6.00 [152]	7.00 [178]													
		324T/326T	6.31 † [160]	8.00 [203]													

\* STANDARD DIMENSION

† 90° HOUSING

┆ PORTS ARE COMPATIBLE WITH 125\* OR 250\* ANSICAST IRON FLANGES. ALL OTHER PORTS ARE TAPPED NPT FOR ANSIPIPE. OPTIONAL (DIN) FLANGES OR TAPPED (BSP) PORTS AVAILABLE FOR EXPORT MARKET.

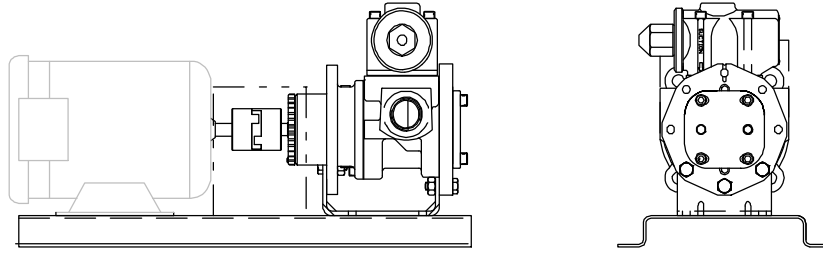
**NOTE: CONSULT FACTORY FOR;**  
 1. HORSEPOWERS & FRAMES NOT SHOWN  
 2. DRIP PAN BASES

REFERENCE: PUMP FOOT BRACKET OPTIONS		
MOTOR FRAME	CENTER HEIGHT	PUMP OPTION
56, 143T, 145T	3.50"	80C (STD. "D/G")
182, 182T, 184, 184T	4.50"	80F
213, 213T, 215, 215T	5.25"	80J (STD. "J")
254T, 254U, 256T, 256U	6.25"	80P
284T, 284U, 286T, 286U	7.00"	80S

# GHC

## DIRECT FLEX DRIVE OPTIONS

(Drive Assembly Number Includes Base, Coupling & Guard, But **NOT** the Motor)



PUMP MODEL NUMBER	60 Hz RPM	50 Hz RPM	FRAME	MTG. FT. OPTION REQ.	DRIVE ASSY NO.
GHC D	3450 1750 1150 850	2900 1450 950 700	56/56H	STD	90351-086
			143T/145T	STD	90351-052
			184	80F	90351-089
			182T/184T	80F	90351-090
			213T/215T	80J	90351-094
GHC G	1750 1150 850	1450 950 700	56/56H	STD	90351-156
			143T/145T	STD	90351-162
			182T/184T	80F	90351-168
			213T/215T	80J	90351-206
			213T/215T	80J	90351-172
			254T	80P	90351-180
GHC J	1150 850	950 700	182T/184T	80F	90351-260
			213T/215T	STD	90351-268
			254T/256T	80P	90351-276
			284T/286T	80S	90351-280

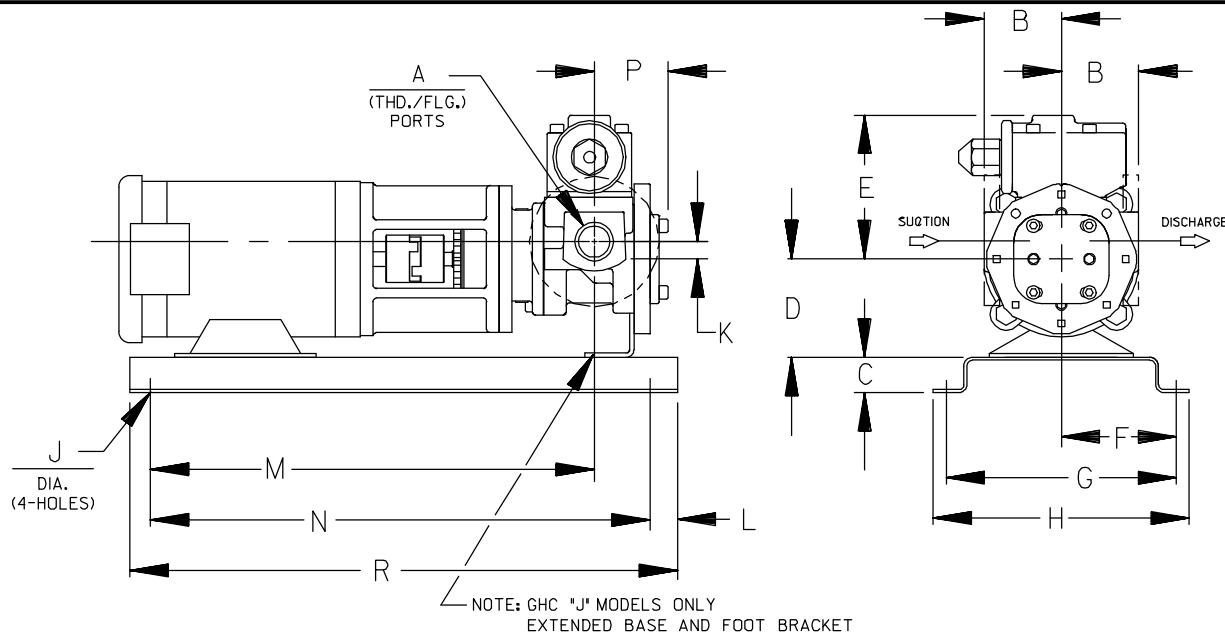
**NOTE: CONSULT FACTORY FOR;  
HORSEPOWERS & FRAMES NOT SHOWN  
DRIP PAN BASES**





# GHC

## DIRECT FLEX C-FLANGE DRIVE OPTION DIMENSIONS



CAD FILE NO.: 16652

PUMP MODEL	PUMP DIMENSIONS - INCHES[MILLIMETERS]															
	A	MOTOR FRAME	B	C	D	E	F	G	H	J	K	L	M	N	P	R
GHC D	1"	56C	2.50 † [64]	2.00 [51]	3.50 [89]	5.19 [132]	6.25 [159]	12.50 [318]	14.50 [368]	.56 [14]	.62 [16]	2.00 [51]	17.24 [438]	12.75 [324]	2.73 [69]	16.75 [425]
		143TC/145TC	2.75 * [70]										17.55 [446]			
		182C/184C	3.12 † [79]										18.80 [478]			
GHC G	1- 1/2"	56C	3.50 † [89]	2.00 [51]	4.50 [114]	6.00 [152]	6.25 [159]	12.50 [318]	14.50 [368]	.56 [14]	.62 [16]	2.00 [51]	19.42 [493]	12.75 [324]	3.35 [85]	16.75 [425]
		143TC/145TC	3.75 * [95]										19.73 [501]			
	2"	182C/184C	4.00 † [102]	21.86 [555]												
		213TC/215TC	5.25 [133]													
GHC J	2"	182TC/184TC	4.50 † [114]	4.00 [102]	4.50 [114]	9.06 [230]	9.50 [241]	19.00 [483]	21.00 [533]	.69 [18]	1.12 [28]	5.00 [127]	26.86 [682]	35.50 [902]	4.66 [118]	45.50 [1156]
		213TC/215TC	5.00 * [127]										27.75 [705]			
	2- 1/2"	213TC/215TC	6.00 † [152]													
		254TC/256TC	6.31 † [160]	33.74 [857]												

\* STANDARD DIMENSION

† PORTS ARE COMPATIBLE WITH 125# OR 250# ANSICAST IRON FLANGES. ALL OTHER PORTS ARE TAPPED NPT FOR ANSIPIPE. OPTIONAL (DIN) FLANGES OR TAPPED (BSP) PORTS AVAILABLE FOR EXPORT MARKET.

† 90° HOUSING

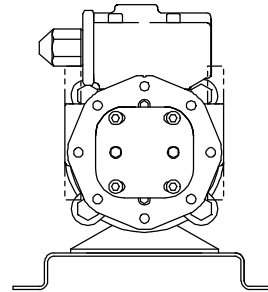
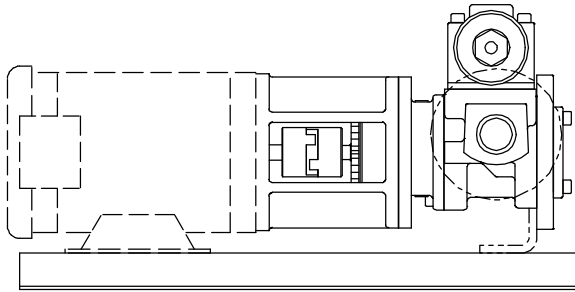
**NOTE: CONSULT FACTORY FOR;**  
 1. HORSEPOWERS & FRAMES NOT SHOWN  
 2. DRIP PAN BASES

**REFERENCE: PUMP FOOT BRACKET OPTIONS**

HYDRAULIC SIZE	MOTOR FRAME	PUMP OPTION
D	56C, 143TC, 145TC, 182C, 184C	80Y
G	56C, 143TC, 145TC, 182C, 184C	80Y
J	213TC, 215TC 254TC, 256TC	80X 80W

## DIRECT FLEX C-FLANGE DRIVE OPTIONS

(Drive Assembly Number Includes Base & Coupling, But **NOT** the Motor)



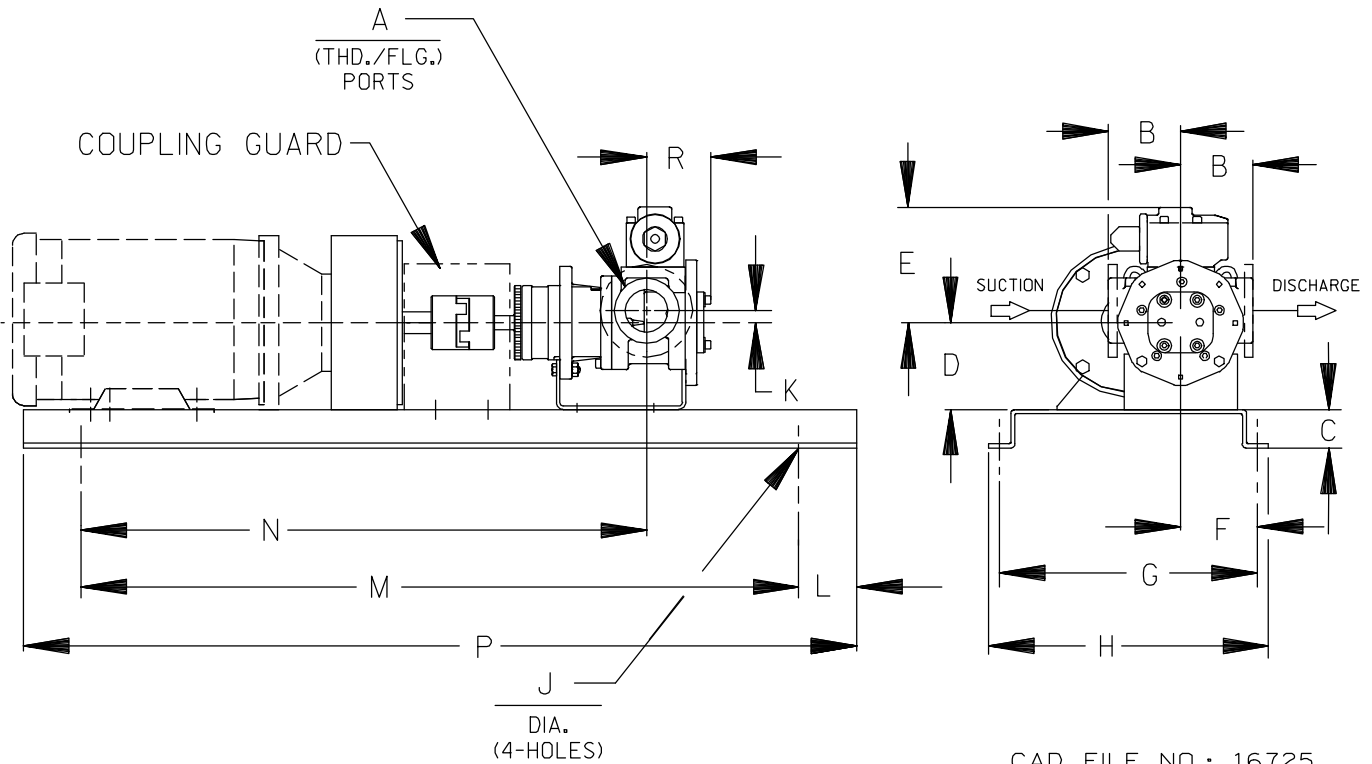
PUMP MODEL NUMBER	60Hz RPM	FRAME	MTG. FT. OPTION REQ.	DRIVE ASSY NO.
GHC D	3450	56C	80Y	90351-540
	1750	143TC	80Y	90351-541
	1150	145TC	80Y	90351-544
	850	184C	80Y	90351-590
GHC G	1750 1150 850	56C	80Y	90351-656
		143TC	80Y	90351-659
		145TC	80Y	90351-660
		184C	80Y	90351-668
		182TC	80X	90351-672
		184TC	80X	90351-674
GHC J	1150 850	213TC	80X	90351-764
		215TC	80X	90351-768
		254TC	80W	90351-772
		256TC	80W	90351-776
		184TC	80X	90351-814

**NOTE: CONSULT FACTORY FOR;  
HORSEPOWERS & FRAMES NOT SHOWN  
DRIP PAN BASES**



# GHC

## GRR REDUCER C-FLANGE FLEX DRIVE OPTION DIMENSIONS



CAD FILE NO.: 16725

PUMP MODEL	PUMP DIMENSIONS - INCHES[MILLIMETERS]															
	A	MOTOR FRAME	B	C	D	E	F	G	H	J	K	L	M	N	P	R
GHC D	1"	56C	2.50 † [64]	2.00 [51]	3.50 [89] *	5.19 [132]	4.41 [112]	13.00 [330]	15.00 [381]	.56 [14]	.62 [16]	3.00 [76]	25.50 [648]	20.35 [517]	31.50 [800]	2.66 [68]
		143TC/145TC	2.75 * [70]													
		182TC/184TC	3.19 † [81]													
		213TC/215TC	4.00 † [102]													
GHC G	1- 1/2"	56C	3.50 † [89]	2.00 [51]	3.50 [89] *	6.00 [152]	4.41 [112]	13.00 [330]	15.00 [381]	.56 [14]	.62 [16]	3.00 [76]	25.50 [648]	22.66 [576]	31.50 [800]	3.27 [83]
		143TC/145TC	3.75 * [95]													
	2"	182TC/184TC	4.00 † [102]													
		213TC/215TC	4.00 † [102]													
GHC J	2"	182TC/184TC	4.50 † [114]	2.00 [51]	4.50 [114]	9.06 [230]	5.50 [140]	14.63 [372]	16.63 [422]	.69 [18]	1.12 [28]	3.00 [76]	37.25 [946]	32.42 [823]	43.25 [1099]	4.56 [116]
	2- 1/2"	213TC/215TC	5.00 * [127]													
		3"	213TC/215TC													
	3"		213TC/215TC													

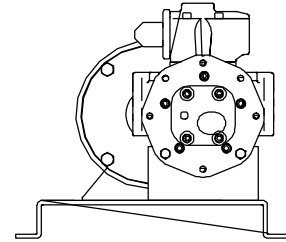
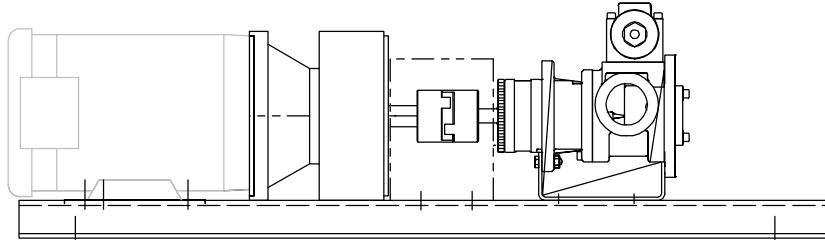
\* STANDARD DIMENSION

† PORTS ARE COMPATIBLE WITH 125# OR 250# ANSICAST IRON FLANGES. ALL OTHER PORTS ARE TAPPED NPT FOR ANSIPIPE. OPTIONAL (DIN) FLANGES OR TAPPED (BSP) PORTS AVAILABLE FOR EXPORT MARKET.

† 90° HOUSING

## GRR REDUCER C-FLANGE FLEX DRIVE OPTIONS

(Drive Assy Number Includes Base, Coupling, Guard & Gear Reducer, But **NOT** the Motor)



PUMP MODEL	RPM @ 1750	RPM @ 1150	REDUCER ①		FRAME	MTG.FT. OPTION REQ.	DRIVE ASSY NO.	
			RATIO	MAX HP @ 1750				MAX HP @ 1150
<b>GHC D</b>	875	575	2.00:1	6.00	3.96	56C	STD	90353-510
				6.00	3.96	143TC/145TC	STD	90353-516
				6.00	3.96	182C/184C	80F	90353-519
				20.00	13.2	182TC/184TC	80F	90353-526
	580	383	3.00:1	4.21	2.78	56C	STD	90353-530
				8.10	5.35	143TC/145TC	STD	90353-536
				8.10	5.35	182C/184C	80F	90353-539
	440	288	4.00:1	12.98	8.57	182TC/184TC	80F	90353-546
				3.63	2.39	56C	STD	90353-550
				5.90	3.89	143TC/145TC	STD	90353-556
	350	230	5.00:1	5.90	3.89	182C/184C	80F	90353-564
				11.35	7.49	56C	STD	90353-568
				3.00	1.98	143TC/145TC	STD	90353-570
				3.00	1.98	182C/182C	80F	90353-573
				5.90	3.89	182TC/184TC	80F	90353-579
				10.07	6.65	182TC/184TC	80F	90353-586

(CONT'D)

① Listed reducer horsepower rated for Standard Service (8-10 hrs/day). For Light Service (3-5 hrs/day) multiply maximum rated horsepower by 1.1. For Heavy Service (16-24 hrs/day) multiply maximum rated horsepower by 0.9.

**NOTE: CONSULT FACTORY FOR;  
HORSEPOWERS & FRAMES NOT SHOWN  
DRIP PAN BASES**



# GHC

**SEC. 540**

**PAGE 22**

**January 2010**

## GRR REDUCER C-FLANGE FLEX DRIVE OPTIONS

(Drive Assy Number Includes Base, Coupling, Guard & Gear Reducer, But **NOT** the Motor)

PUMP MODEL	RPM @ 1750	RPM @ 1150	REDUCER <sup>①</sup>		FRAME	MTG.FT. OPTION REQ.	DRIVE ASSY NO.	
			RATIO	MAX HP @ 1750				MAX HP @ 1150
<b>GHC G</b>	875	575	2.00:1	5.65	3.73	56C	STD	90353-610
				11.70	7.72	143TC/145TC	STD	90353-619
				11.70	7.72	182C/184C	80F	90353-622
				13.01	8.59	182TC/184TC	80F	90353-625
				13.01	8.59	213TC/215TC	80J	90353-627
	580	383	3.00:1	3.76	2.48	56C	STD	90353-630
				8.10	5.35	143TC/145TC	STD	90353-633
				8.10	5.35	182C/184C	80F	90353-642
				10.62	7.01	182TC/184TC	80F	90353-646
				10.62	7.01	213TC/215TC	80J	90353-648
	440	288	4.00:1	2.82	1.86	56C	STD	90353-660
				5.90	3.89	143TC/145TC	STD	90353-663
				5.90	3.89	182C/184C	80F	90353-672
				7.24	4.78	182TC/184TC	80F	90353-675
				7.24	4.78	213TC	80J	90353-677
	350	230	5.00:1	2.26	1.49	56C	STD	90353-690
				5.20	3.43	143TC/145TC	STD	90353-699
				5.20	3.43	182C/184C	80F	90353-702
				5.98	3.95	182TC/184TC	80F	90353-706
				5.98	3.95	213TC	80J	90353-708
<b>GHC J</b>	875	575	2.00:1	13.01	8.59	182TC/184TC	80F	90353-720
				13.01	8.59	213TC/215TC	80J	90353-724
				36.29	23.95	254TC/256TC	80P	90353-728
				36.29	23.95	284TC/286TC	80P	90353-732
	580	383	3.00:1	10.62	7.01	182TC/184TC	80F	90353-735
				10.62	7.01	213TC/215TC	80J	90353-739
	555	365	3.15:1	25.76	17.00	254TC/256TC	80P	90353-743
				25.76	17.00	284TC	80P	90353-746
				42.96	28.35	286TC	80P	90353-747
	440	288	4.00:1	7.24	4.78	182TC/184TC	80F	90353-750
				7.24	4.78	213TC	80J	90353-754
	350	230	5.00:1	5.98	3.95	182TC/184TC	80F	90353-765
				5.98	3.95	213TC	80J	90353-769
				16.01	10.57	215TC	80P	90353-774
				16.01	10.57	254TC	80P	90353-778
30.49				20.12	356TC	80P	90353-780	

① Listed reducer horsepower rated for Standard Service (8-10 hrs/day). For Light Service (3-5 hrs/day) multiply maximum rated horsepower by 1.1. For Heavy Service (16-24 hrs/day) multiply maximum rated horsepower by 0.9.

**NOTE: CONSULT FACTORY FOR;  
HORSEPOWERS & FRAMES NOT SHOWN  
DRIP PAN BASES**



# PERFORMANCE CURVES

## SPEED VS. CAPACITY/HORSEPOWER

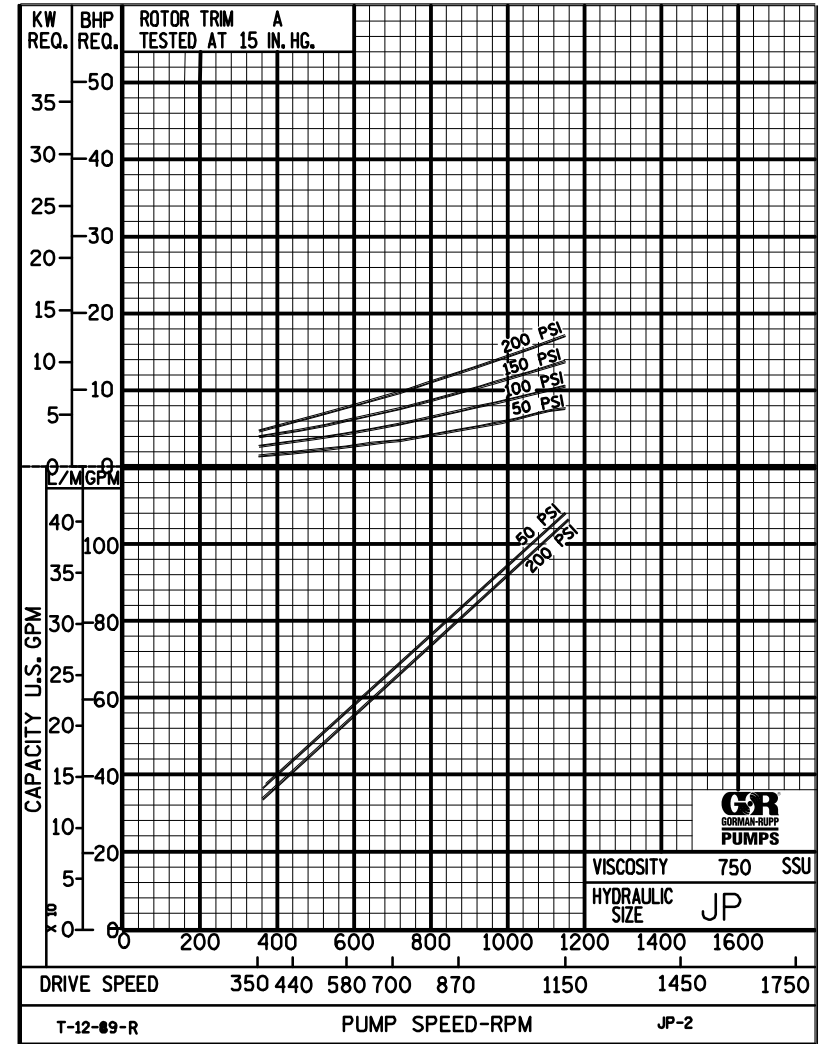
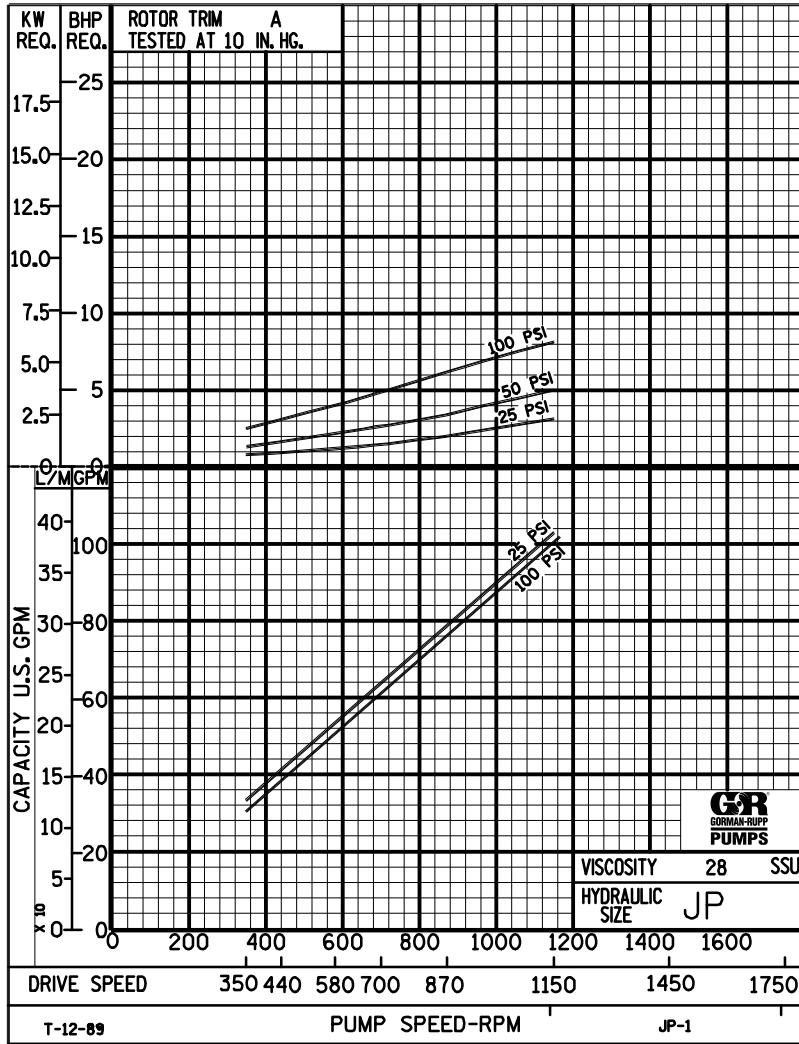
# JP

Hydraulic  
Size

SEC. 500

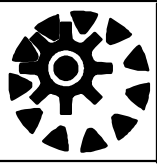
Page 80

January 2010



THE GORMAN-RUPP COMPANY • MANSFIELD, OHIO  
 GORMAN-RUPP OF CANADA LIMITED • ST. THOMAS, ONTARIO, CANADA

Printed in U.S.A.



# PERFORMANCE CURVES

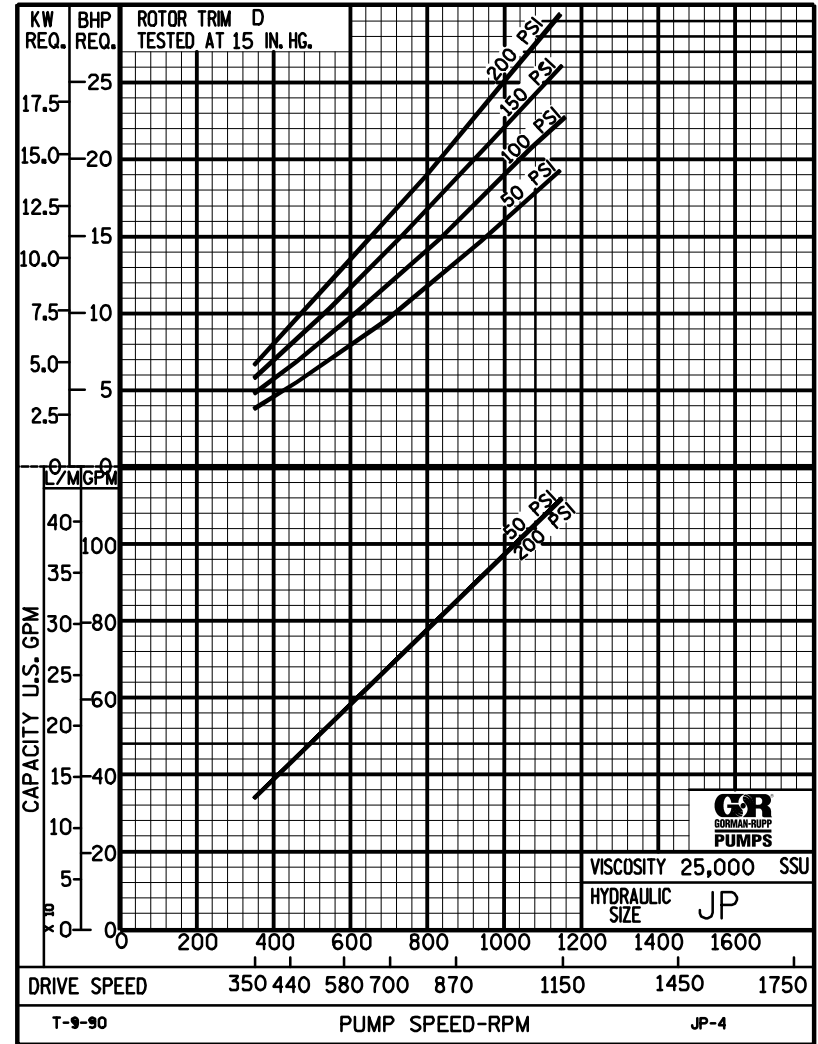
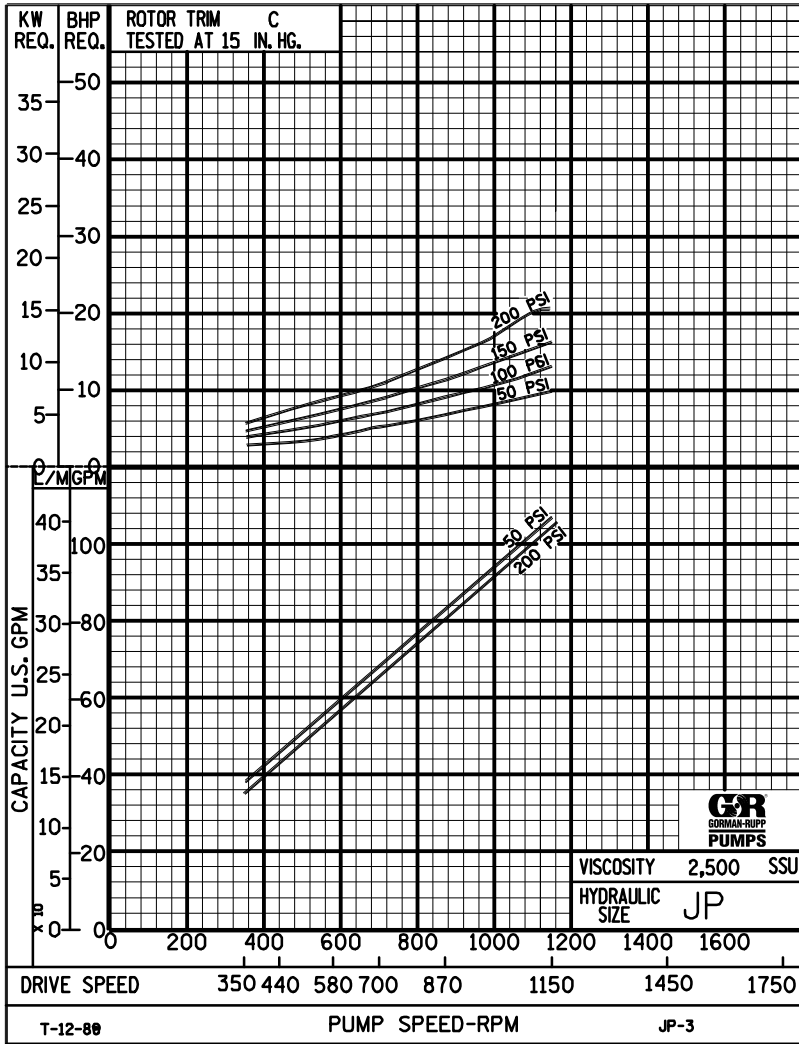
## SPEED VS. CAPACITY/HORSEPOWER

**JP** Hydraulic Size

SEC. 500

Page 81

January 2010



THE GORMAN-RUPP COMPANY • MANSFIELD, OHIO  
 GORMAN-RUPP OF CANADA LIMITED • ST. THOMAS, ONTARIO, CANADA

Printed in U.S.A.



# JP

## PUMP HYDRAULIC SIZE CHART

SEC. 500

Page 82

January 2010

107 GPM  
1150 RPM

NOMINAL		ROTOR TRIM	VISCOSITY (SSU)	N.I.P.R. (PSIA)	FRICTION PIPE LOSS (PSI/FT) <small>(Based on Sch 40 Steel Pipe)</small>					FULL BYPASS RELIEF VALVE PRESSURE (PSI)					CAPACITY (GPM) / H.P. REQUIRED							
CAP. GPM	SPEED RPM				PIPE DIAMETER					CRACKING PRESS. (PSI)					DIFFERENTIAL PRESSURE (PSI)							
					1½"	2"	2½"	3"	4"	LOW PRES R/V			HI PRES R/V		HEAVY DUTY							
							50	75	100	150	200	25	50	75	100	150	200	300	400			
107	1150	STD	28	4.8	.01	.01	.01	.01	.01	77	104	143				103	100	100	99			
			32		.23	.07	.03	.01	.01							3.2	5.0	6.3	8.1			
			38	4.8	.29	.09	.04	.02	.01	78	105	144	188				105	103	102	101	100	
			50		.34	.11	.05	.02	.01								3.5	5.5	6.8	8.6	12	
			70	4.8	.39	.12	.05	.02	.01	79	107	144	189	240			106	105	104	103	102	101
			100		.44	.14	.06	.02	.01								3.8	6.0	7.4	9.1	13	16
			150	4.8	.50	.15	.07	.03	.01	80	107	145	189	241			108	106	106	105	104	103
			200		.54	.17	.07	.03	.01								4.1	6.5	8.0	9.6	13	16
			300	4.8	.61	.19	.08	.03	.01	81	109	145	190	242			109	108	107	107	106	105
			500		.64	.22	.09	.04	.01								4.4	7.1	8.5	10	14	17
		750	4.8	.70	.26	.13	.06	.02	82	111	146	190	243			109	109	108	108	108	107	
		1,000		.94	.35	.17	.07	.03								4.7	7.6	9.1	11	14	17	
		2,000	5.7	1.87	.69	.34	.14	.05	86	118	153	196	252			109	109	109	108	108	108	
		3,500		3.28	1.21	.59	.25	.09								6.1	9.9	12	13	16	20	
		5,000	6.2	4.68	1.73	.85	.36	.12	90	123	156	200	256			110	110	109	109	109	109	
		7,500		7.02	2.59	1.27	.54	.18								9.9	13	15	16	20	23	
		10,000	6.8	9.36	3.45	1.70	.71	.24	96	129	160	204	260			110	110	110	109	109	109	
		15,000		14.1	5.17	2.54	1.07	.36								14	16	18	19	23	26	
		20,000	7.3	18.7	6.89	3.39	1.42	.48	102	135	164	208	264			111	110	110	110	109	109	
		25,000		23.4	8.62	4.23	1.78	.60								18	19	21	23	26	30	
50,000																						
75,000																						
100,000																						
150,000																						
200,000																						
250,000																						

(NOTE) For speeds not shown on the pump hydraulic charts, consult factory.





# JP

## PUMP HYDRAULIC SIZE CHART

SEC. 500

Page 83

January 2010

**81 GPM  
870 RPM**

NOMINAL		ROTOR TRIM	VISCOSITY (SSU)	N.I.P.R. (PSIA)	FRICTION PIPE LOSS (PSI/FT) <small>(Based on Sch 40 Steel Pipe)</small>					FULL BYPASS RELIEF VALVE PRESSURE (PSI)					CAPACITY (GPM) / H.P. REQUIRED									
CAP. GPM	SPEED RPM				PIPE DIAMETER					CRACKING PRESS. (PSI)					DIFFERENTIAL PRESSURE (PSI)									
					1½"	2"	2½"	3"	4"	LOW PRES R/V			HI PRES R/V		MEDIUM DUTY AND HEAVY DUTY				HEAVY DUTY ONLY					
							50	75	100	150	200	25	50	75	100	150	200	300	400					
81	870	STD	28	3.0	.01	.01	.01	.01	.01	74	100	133			77	75	75	74						
			32		.14	.04	.02	.01	.01						2.2	3.4	4.7	6.0						
			38	3.0	.18	.06	.03	.01	.01	74	100	133	174			78	77	76	75	75				
			50		.21	.07	.03	.01	.01							2.3	3.7	5.0	6.2	7.5				
			70	3.0	.24	.08	.03	.01	.01	74	101	134	174	226			79	78	78	77	76	75		
			100		.27	.09	.04	.02	.01								2.5	4.0	5.2	6.5	8.0	10		
			150	3.0	.31	.10	.04	.02	.01	75	101	134	175	226			81	79	79	78	78	77		
			200		.34	.11	.05	.02	.01								2.6	4.3	5.5	6.8	8.6	11		
			300	3.0	.38	.12	.05	.02	.01	75	102	135	175	227			81	81	80	79	79	78		
			500		.44	.13	.07	.03	.01								2.8	4.5	5.8	7.0	9.2	12		
		750	3.0	.53	.20	.10	.04	.02	75	102	135	175	227			82	81	81	80	80.5	80			
		1,000		.71	.26	.13	.06	.02								3.0	4.8	6.0	7.3	9.7	12			
		2,000	3.7	1.42	.52	.26	.11	.04	76	104	137	177	229			82	82	81	81	81	81			
		3,500		2.48	.92	.45	.19	.07								4.2	6.8	7.9	9.0	12	14			
		5,000	4.2	3.55	1.31	.64	.27	.09	80	109	139	179	231			83	83	82	82	82	82			
		7,500		5.32	1.96	.96	.41	.14								6.8	9.0	10	11	14	16			
		10,000	4.6	7.09	2.61	1.28	.54	.18	84	114	143	183	235			84	84	83	83	83	82			
		15,000		10.7	3.92	1.92	.81	.27								9.3	11	12	14	16	19			
		20,000	5.0	14.2	5.22	2.57	1.08	.37	89	120	149	187	241			85	84	84	84	84	83			
		25,000		17.7	6.52	3.21	1.35	.46								12	13	14	16	18	21			
50,000	7.6	35.5	13.1	6.41	2.69	.91	95	126	155	193	247			85	84	84	84	84	83					
75,000		-	-	-	-	-								17	18	21	23	24	27					
100,000																								
150,000																								
200,000																								
250,000																								

(NOTE) For speeds not shown on the pump hydraulic charts, consult factory.



# JP

## PUMP HYDRAULIC SIZE CHART

SEC. 500

Page 84

January 2010

**54 GPM  
580 RPM**

NOMINAL		ROTOR TRIM	VISCOSITY (SSU)	N.I.P.R. (PSIA)	FRICTION PIPE LOSS (PSI/FT) <small>(Based on Sch 40 Steel Pipe)</small>					FULL BYPASS RELIEF VALVE PRESSURE (PSI)					CAPACITY (GPM) / H.P. REQUIRED										
CAP. GPM	SPEED RPM				PIPE DIAMETER					CRACKING PRESS. (PSI)					DIFFERENTIAL PRESSURE (PSI)										
					1½"	2"	2½"	3"	4"	LOW PRES R/V			HI PRES R/V		MEDIUM DUTY AND HEAVY DUTY				HEAVY DUTY ONLY						
							50	75	100	150	200	25	50	75	100	150	200	300	400						
54	580	STD	28	1.9	.01	.01	.01	.01	.01	62	87	114			51	50	50	49							
			32		.07	.02	.01	.01	.01						1.5	2.3	3.1	4.0							
			38	1.9	.09	.03	.01	.01	.01	62	89	116	166			52	51	51	50	50					
			50		.10	.03	.02	.01	.01							1.6	2.5	3.3	4.2	5.0					
			70	1.9	.12	.04	.02	.01	.01	63	90	118	167	219			53	52	52	51	51	50			
			100		.14	.04	.02	.01	.01								1.7	2.7	3.5	4.4	5.4	6.9			
			150	1.9	.16	.05	.02	.01	.01	64	91	120	167	219			54	53	53	52	52	51			
			200		.17	.05	.02	.01	.01								1.8	2.9	3.7	4.5	5.8	7.3			
			300	1.9	.19	.06	.03	.01	.01	65	92	122	168	220			54	54	53	53	53	52			
			500		.24	.09	.05	.02	.01								1.9	3.0	3.9	4.7	6.2	7.8			
		750	1.9	.36	.13	.07	.03	.01	66	93	124	168	220			54	54	54	54	54	53				
		1,000		.47	.18	.09	.04	.01								2.0	3.2	4.0	4.9	6.5	8.2				
		2,000	2.6	.95	.35	.17	.07	.03	70	95	124	168	222			55	55	54	54	54	54				
		3,500		1.66	.61	.30	.13	.04								2.8	4.6	5.3	6.1	7.8	9.5				
		5,000	3.0	2.36	.87	.43	.18	.06	72	97	126	170	224			55	55	55	55	55	54				
		7,500		3.55	1.31	.64	.27	.09								4.6	6.0	6.8	7.6	9.3	11				
		10,000	3.5	4.73	1.74	.86	.36	.12	74	99	128	172	226			56	56	56	55	55	55				
		15,000		7.09	2.61	1.28	.54	.18								6.3	7.4	8.2	9.1	11	13				
		20,000	3.9	9.45	3.48	1.71	.72	.24	78	103	128	174	226			57	56	56	56	56	56				
		25,000		11.8	4.35	2.14	.90	.30								8.0	8.9	9.6	11	12	14				
50,000	6.1	23.6	8.70	4.27	1.79	.61	82	107	132	178	230			57	56	56	56	56	56						
75,000		35.5	13.1	6.41	2.69	.91								11	12	14	16	16	18						
100,000																									
150,000																									
200,000																									
250,000																									

(NOTE) For speeds not shown on the pump hydraulic charts, consult factory.



# JP

## PUMP HYDRAULIC SIZE CHART

SEC. 500

Page 85

January 2010

**32 GPM  
350 RPM**

NOMINAL		ROTOR TRIM	VISCOSITY (SSU)	N.I.P.R. (PSIA)	FRICTION PIPE LOSS (PSI/FT) <small>(Based on Sch 40 Steel Pipe)</small>					FULL BYPASS RELIEF VALVE PRESSURE (PSI)					CAPACITY (GPM) / H.P. REQUIRED															
CAP. GPM	SPEED RPM				PIPE DIAMETER					CRACKING PRESS. (PSI)					DIFFERENTIAL PRESSURE (PSI)															
					1½"	2"	2½"	3"	4"	LOW PRES R/V			HI PRES R/V		MEDIUM DUTY AND HEAVY DUTY				HEAVY DUTY ONLY											
32	350	STD	28	1.3	.01	.01	.01	.01	.01	56	82	113			31	30	30	29												
			32		.03	.01	.01	.01	.01							.89	1.4	1.9	2.4											
			38	1.3	.04	.01	.01	.01	.01	56	82	113	159			31	31	30	30	30										
			50		.04	.02	.01	.01	.01							.94	1.5	2.0	2.5	3.0										
			70	1.3	.05	.02	.01	.01	.01	56	83	113	159	211		32	31	31	31	30.7	30.4									
			100		.06	.02	.01	.01	.01							1.0	1.6	2.1	2.6	3.2	4.1									
			150	1.3	.06	.02	.01	.01	.01	56	83	113	159	211		32	32	31	31	31	31									
			200		.06	.02	.01	.01	.01							1.1	1.7	2.2	2.7	3.5	4.4									
			300	1.3	.09	.03	.02	.01	.01	57	84	113	159	211		32	32	32	32	32	31									
			500		.14	.05	.03	.01	.01							1.1	1.8	2.3	2.8	3.7	4.7									
		750	1.3	.21	.08	.04	.02	.01	57	84	113	159	211		32	32	32	32	32	32										
		1,000		.28	.11	.05	.02	.01							1.2	1.9	2.4	2.9	3.9	5.0										
		2,000	2.0	.56	.21	.10	.04	.02	59	86	115	159	211		33	33	32	32	32	32										
		3,500		.98	.36	.18	.08	.03							1.7	2.7	3.2	3.6	4.7	5.7										
		5,000	2.4	1.40	.52	.26	.11	.04	61	88	117	160	212		33	33	33	33	33	32										
		7,500		2.10	.78	.38	.16	.06							2.7	3.6	4.1	4.5	5.6	6.6										
		10,000	2.9	2.80	1.03	.51	.21	.07	63	90	120	161	213		33	33	33	33	33	33										
		15,000		4.20	1.55	.76	.32	.11							3.8	4.5	4.9	5.4	6.5	7.5										
		20,000	3.2	5.60	2.06	1.02	.43	.15	66	93	123	161	213		34	34	34	33	33	33										
		25,000		7.00	2.58	1.27	.53	.18							4.8	5.3	5.8	6.3	7.4	8.4										
50,000	5.4	14.0	5.16	2.53	1.06	.36	69	96	126	164	216		34	34	34	33	33	33												
75,000		21.0	7.73	3.80	1.60	.54							6.7	7.3	8.2	9.4	9.8	11												
100,000	8.0	28.0	10.3	5.07	2.13	.72	73	100	130	168	220		34	34	34	33	33	33												
150,000		42.0	15.5	7.60	3.19	1.08							8.1	8.8	10	11	12	13												
200,000																														
250,000																														

(NOTE) For speeds not shown on the pump hydraulic charts, consult factory.